

Lossnay RVX2 ERV Integration with Mr. Slim

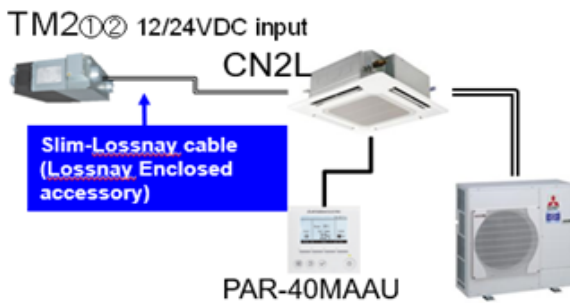
MESCA – Energy Recovery and Ventilation

HOW IT WORKS



In all buildings, the mechanical ventilation equipment is a core part of the overall HVAC system to ensure comfort and safety of the occupants. Energy recovery ventilators (ERVs) are the primary solution by introducing fresh outside air into the building, while expelling stale air. ERVs can dramatically reduce the load required to the heat or cool the outside air before it enters the building's HVAC system. This article is intended to demonstrate the method on how to interlock a Mitsubishi Lossnay (LGH-RVX2) to P-Series (Mr. Slim) or 3rd Party Equipment via external Input for ventilation.

Connecting with P-Series (Mr. Slim):



- Lossnay ON/Off operation is tied to IDU operation
- Fan Speed is High/ Low
- One LGH-RVX2 with One Mr. Slim

PZ-62DR-E can NOT be used

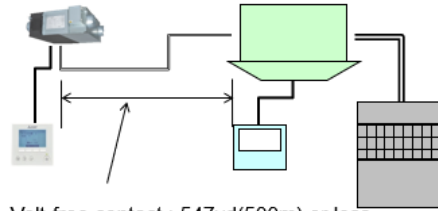
Connection with P-Series (Mr. Slim) via Volt-free contact:



- Lossnay Control via Lossnay Controller
- Fan Speed control via Lossnay Controller

Connection with 3rd Party Equipment:

| | |
|-------------------------------|--------------------------|
| TM2 External control input | |
| 1 2 | Voltage-applied signal |
| Y Z | Volt-free contact signal |



Volt-free contact : 547yd(500m) or less
12/24VDC input : Follow the A/C specification

Set external input signal type from external device for TM2.

| DIP-SW | | Setting check | PZ-62DR-E | | Setting check | Pulse input setting |
|--------|--------------------------|---------------|--------------|------------------------|---------------|---------------------|
| SW No. | Setting | | Function No. | Setting Data | | |
| SW2-2 | - | - | 28 | 0 (Factory setting) | | DIP-SW priority |
| | OFF (Factory setting) | | | 1 | | NOT pulse input |
| | ON | | | 2 | | Pulse input |

Mitsubishi Lossnay units offer many different control methods. For more details, please refer to the Installation Manual for signal output from the Lossnay unit without an associated controller while using a 3rd Party non-Mitsubishi equipment or controlled by BMS.