

City Multi Product Announcement 100-16-008

To : All Distributors

From : Commercial HVAC Team – MESCA

Date : July 12th, 2016

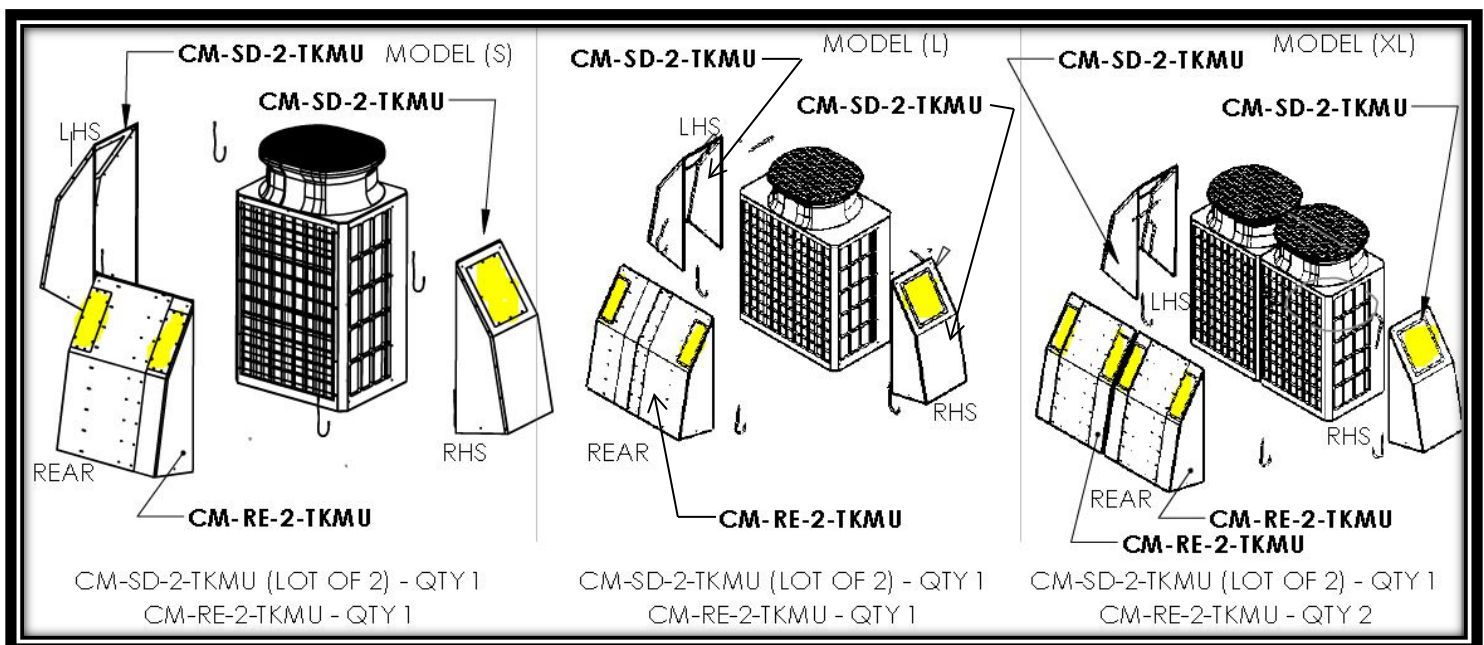
Subject : City Multi_PUH(R)Y-P(HP) -TKMU, TLMU and ZKMU Modular Wind/Snow Guards

Please be advised of the release of new wind/snow guards (universal type) as optional parts as shown below:

CM-SD-2-TKMU: SNOWGUARD **SIDE** for air-cooled TKMU, TLMU and ZKMU SERIES.

CM-RE-2-TKMU: SNOWGUARD **REAR** for air-cooled TKMU, TLMU and ZKMU SERIES.

As **highlighted** below, removable panels/cover plates have been added to the guards to access the coil for various purposes like cleaning, general inspection etc.



Please note that these are the recommended wind/snow guards for units performing heating operation.

The current CM-SD/RE-1-TKMU wind/snow guards will be shipped first before the new CM-SD/RE-2-TKMU.

Please refer to installation guidelines [IM-CM-SG-2-TKMU] enclosed within the packaging box, also available on our website.

