

# Air-Conditioners

## PEAD-A24,30,36,42AA4

### OPERATION MANUAL

For safe and correct use, please read this operation manual thoroughly before operating the air-conditioner unit.

FOR USER

### MANUEL D'UTILISATION

Pour une utilisation correcte sans risques, veuillez lire le manuel d'utilisation en entier avant de vous servir du climatiseur.

POUR L'UTILISATEUR

English

Français

# Contents

1. Safety Precautions .....	2	5. Emergency Operation for IR Wireless Remote Controller .....	4
2. Parts Names .....	2	6. Care and Cleaning .....	4
3. Operation .....	3	7. Trouble Shooting .....	5
4. Timer .....	4	8. Specifications .....	6

Note (Marking for WEEE)



This symbol mark is for EU countries only.

This symbol mark is according to the directive 2002/96/EC Article 10 Information for users and Annex IV.

Your MITSUBISHI ELECTRIC product is designed and manufactured with high quality materials and components which can be recycled and reused.

This symbol means that electrical and electronic equipment, at their end-of-life, should be disposed of separately from your household waste.

Please, dispose of this equipment at your local community waste collection/recycling centre.

In the European Union there are separate collection systems for used electrical and electronic product.

Please, help us to conserve the environment we live in!

## 1. Safety Precautions

- ▶ Before installing the unit, make sure you read all the “Safety Precautions”.
- ▶ The “Safety Precautions” provide very important points regarding safety. Make sure you follow them.
- ▶ Please report to or take consent by the supply authority before connection to the system.

### Symbols used in the text

⚠ Warning:

Describes precautions that should be observed to prevent danger of injury or death to the user.

⚠ Caution:

Describes precautions that should be observed to prevent damage to the unit.

### Symbols used in the illustrations

⊥ : Indicates a part which must be grounded.

⚠ Warning:

- The unit must not be installed by the user. Ask the dealer or an authorized company to install the unit. If the unit is installed improperly, water leakage, electric shock or fire may result.
- Do not stand on, or place any items on the unit.
- Do not splash water over the unit and do not touch the unit with wet hands. An electric shock may result.
- Do not spray combustible gas close to the unit. Fire may result.
- Do not place a gas heater or any other open-flame appliance where it will be exposed to the air discharged from the unit. Incomplete combustion may result.
- Do not remove the front panel or the fan guard from the outdoor unit when it is running.

⚠ Caution:

- Do not use any sharp object to push the buttons, as this may damage the remote controller.
- Never block or cover the indoor or outdoor unit's intakes or outlets.

- When you notice exceptionally abnormal noise or vibration, stop operation, turn off the power switch, and contact your dealer.
- Never insert fingers, sticks etc. into the intakes or outlets.
- If you detect odd smells, stop using the unit, turn off the power switch and consult your dealer. Otherwise, a breakdown, electric shock or fire may result.
- This air conditioner is NOT intended for use by children or infirm persons without supervision.
- Young children must be supervised to ensure that they do not play with the air conditioner.
- If the refrigeration gas blows out or leaks, stop the operation of the air conditioner, thoroughly ventilate the room, and contact your dealer.

### Disposing of the unit

When you need to dispose of the unit, consult your dealer.

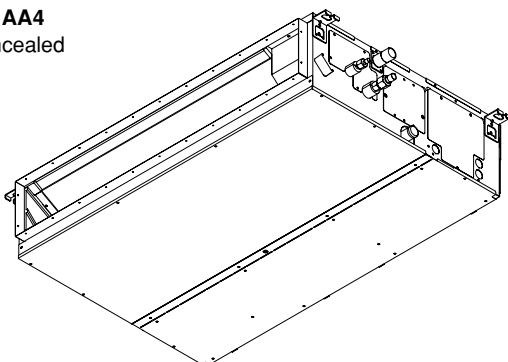
## 2. Parts Names

### ■ Indoor Unit

	PEAD-A-AA4
Fan steps	3 steps
Vane	—
Louver	—
Filter	Normal
Filter cleaning indication	—

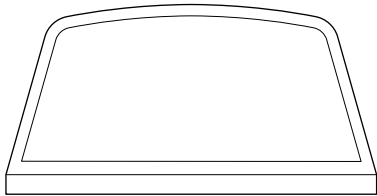
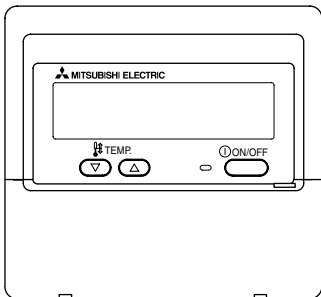
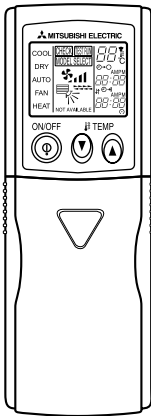
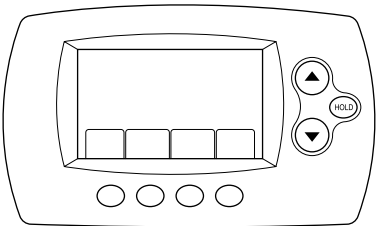
### ■ PEAD-A-AA4

Ceiling Concealed



## 2. Parts Names

### Remote controller (Optional parts)

Radio frequency interface	Wired remote controller	IR wireless remote controller
		
<p>RF thermostat</p>		
		

## 3. Operation

■ About the operation method, refer to the operation manual that comes with each remote controller.

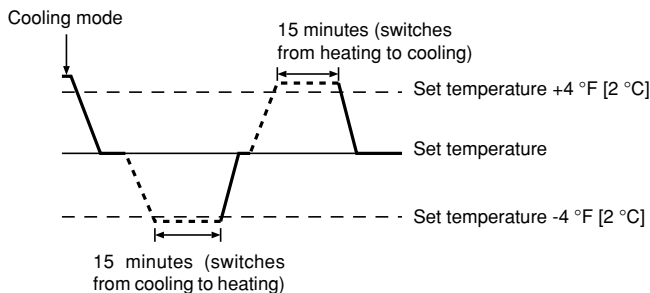
### 3.1. Operation mode select

Cool/Dry/Fan/Heat/Automatic (cool/heat)/Ventilation modes are available.

Note:

- Heat and Automatic modes can not be available for cooling only units.
- Ventilation mode: only indicated on the following condition.  
Wired remote controller is used and LOSSNAY is connected.
- Automatic mode

- According to a set temperature, cooling operation starts if the room temperature is too hot and heating operation starts if the room temperature is too cold.
- During automatic operation, if the room temperature changes and remains 4 °F [2 °C] or more above the set temperature for 15 minutes, the air conditioner switches to cooling mode. If the room temperature remains 4 °F [2 °C] or more below the set temperature for 15 minutes, the air conditioner switches to heating mode.



### 3.2. Fan speed setting

Note:

- The number of available fan speeds depends on the type of unit connected.
- In the following cases, the actual fan speed generated by the unit will differ from the speed shown the remote controller display.
  1. When the unit is in **STAND BY** or **DEFROST** states.
  2. When the temperature of the heat exchanger is low in the heating mode. (e.g. immediately after heating operation starts)
  3. In **HEAT** mode, when room temperature is higher than the temperature setting.
  4. When the unit is in **DRY** mode.

### 3.3. Ventilation

#### ► For LOSSNAY combination

- The following 2 patterns of operation are available.
  - Run the ventilator together with the indoor unit.
  - Run the ventilator independently.

Note:

- With some model configurations, the fan on the indoor unit may come on even when you set the ventilator to run independently.

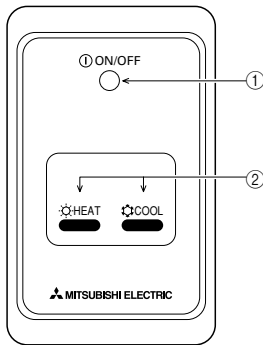
Note (for IR wireless remote controller and RF thermostat):

- Running the ventilator independently is not available.
- No indication on the remote controller.

## 4. Timer

- Timer functions are different by each remote controller.
- Refer to the operation manual that comes with each remote controller for the details included an operation method.

## 5. Emergency Operation for IR Wireless Remote Controller



① **ON/OFF lamp** (lit when unit is operating; unlit when unit is not operating)

② **Emergency operation**

In cases where the remote control unit does not operate properly, use either the COOL or HEAT button on the wireless remote control signal receiver to toggle the unit on or off. On cooler only units, pushing the HEAT button toggles the fan on and off.

Pressing the COOL or HEAT button selects the following settings.

Operation mode	COOL	HEAT
Preset temperature	24 °C/75 °F	24 °C/75 °F
Fan speed	High	High

## 6. Care and Cleaning

### ► Cleaning the filters

- Clean the filters using a vacuum cleaner. If you do not have a vacuum cleaner, tap the filters against a solid object to knock off dirt and dust.
- If the filters are especially dirty, wash them in lukewarm water. Take care to rinse off any detergent thoroughly and allow the filters to dry completely before putting them back into the unit.

**Caution:**

- Do not dry the filters in direct sunlight or by using a heat source, such as an electric heater: this may warp them.
- Do not wash the filters in hot water (above 122 °F [50 °C]), as this may warp them.
- Make sure that the air filters are always installed. Operating the unit without air filters can cause malfunction.

**Caution:**

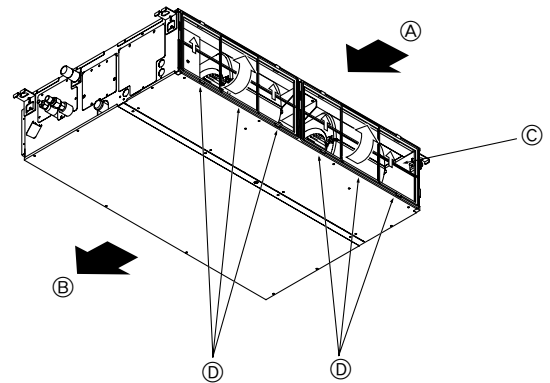
- Before you start cleaning, stop operation and turn OFF the power supply.
- Indoor units are equipped with filters to remove the dust of sucked-in air. Clean the filters using the methods shown in the following sketches.

### ► Filter removal

**Caution:**

- In removing the filter, precautions must be taken to protect your eyes from dust. Also, if you have to climb up on a stool to do the job, be careful not to fall.
- When the filter is removed, do not touch the metallic parts inside the indoor unit, otherwise injury may result.





■ PEAD-A·AA4



- While lifting the filter knob, pull it.

① Air intake ② Air outlet ③ Filter ④ Knob

## 7. Trouble Shooting

Having trouble?	Here is the solution. (Unit is operating normally.)
Air conditioner does not heat or cool well.	<ul style="list-style-type: none"> <li>■ Clean the filter. (Airflow is reduced when the filter is dirty or clogged.)</li> <li>■ Check the temperature adjustment and adjust the set temperature.</li> <li>■ Make sure that there is plenty of space around the outdoor unit. Is the indoor unit air intake or outlet blocked?</li> <li>■ Has a door or window been left open?</li> </ul>
When heating operation starts, warm air does not blow from the indoor unit soon.	<ul style="list-style-type: none"> <li>■ Warm air does not blow until the indoor unit has sufficiently warmed up.</li> </ul>
During heating mode, the air conditioner stops before the set room temperature is reached.	<ul style="list-style-type: none"> <li>■ When the outdoor temperature is low and the humidity is high, frost may form on the outdoor unit. If this occurs, the outdoor unit performs a defrosting operation. Normal operation should begin after approximately 10 minutes.</li> </ul>
When the airflow direction is changed, the vanes always move up and down past the set position before finally stopping at the position.	<ul style="list-style-type: none"> <li>■ When the airflow direction is changed, the vanes move to the set position after detecting the base position.</li> </ul>
A flowing water sound or occasional hissing sound is heard.	<ul style="list-style-type: none"> <li>■ These sounds can be heard when refrigerant is flowing in the air conditioner or when the refrigerant flow is changing.</li> </ul>
A cracking or creaking sound is heard.	<ul style="list-style-type: none"> <li>■ These sounds can be heard when parts rub against each due to expansion and contraction from temperature changes.</li> </ul>
The room has an unpleasant odor.	<ul style="list-style-type: none"> <li>■ The indoor unit draws in air that contains gases produced from the walls, carpeting, and furniture as well as odors trapped in clothing, and then blows this air back into the room.</li> </ul>
A white mist or vapor is emitted from the indoor unit.	<ul style="list-style-type: none"> <li>■ If the indoor temperature and the humidity are high, this condition may occur when operation starts.</li> <li>■ During defrosting mode, cool airflow may blow down and appear like a mist.</li> </ul>
Water or vapor is emitted from the outdoor unit.	<ul style="list-style-type: none"> <li>■ During cooling mode, water may form and drip from the cool pipes and joints.</li> <li>■ During heating mode, water may form and drip from the heat exchanger.</li> <li>■ During defrosting mode, water on the heat exchanger evaporates and water vapor may be emitted.</li> </ul>
The operation indicator does not appear in the wired remote controller display. (*1)	<ul style="list-style-type: none"> <li>■ Turn on the power switch. "⊙" will appear in the wired remote controller display.</li> </ul>
"  appears in the wired remote controller display. (*1)	<ul style="list-style-type: none"> <li>■ During central control, "" appears in the wired remote controller display and air conditioner operation cannot be started or stopped using the wired remote controller.</li> </ul>
When restarting the air conditioner soon after stopping it, it does not operate even though the ON/OFF button is pressed.	<ul style="list-style-type: none"> <li>■ Wait approximately three minutes. (Operation has stopped to protect the air conditioner.)</li> </ul>
Air conditioner operates without the ON/OFF button being pressed. (*1)	<ul style="list-style-type: none"> <li>■ Is the on timer set? Press the ON/OFF button to stop operation.</li> <li>■ Is the air conditioner connected to a central wired remote controller? Consult the concerned people who control the air conditioner.</li> <li>■ Does " appear in the wired remote controller display? Consult the concerned people who control the air conditioner.</li> <li>■ Has the auto recovery feature from power failures been set? Press the ON/OFF button to stop operation.</li> </ul>
Air conditioner stops without the ON/OFF button being pressed. (*1)	<ul style="list-style-type: none"> <li>■ Is the off timer set? Press the ON/OFF button to restart operation.</li> <li>■ Is the air conditioner connected to a central wired remote controller? Consult the concerned people who control the air conditioner.</li> <li>■ Does " appear in the wired remote controller display? Consult the concerned people who control the air conditioner.</li> </ul>
Wired remote controller timer operation cannot be set. (*1)	<ul style="list-style-type: none"> <li>■ Are timer settings invalid? If the timer can be set, <b>WEEKLY</b>, <b>SIMPLE</b>, or <b>AUTO OFF</b> appears in the wired remote controller display.</li> </ul>
"PLEASE WAIT" appears in the wired remote controller display. (*1)	<ul style="list-style-type: none"> <li>■ The initial settings are being performed. Wait approximately 3 minutes.</li> </ul>
An error code appears in the remote controller display.	<ul style="list-style-type: none"> <li>■ The protection devices have operated to protect the air conditioner.</li> <li>■ Do not attempt to repair this equipment by yourself. Turn off the power switch immediately and consult your dealer. Be sure to provide the dealer with the model name and information that appeared in the remote controller display.</li> </ul>
Draining water or motor rotation sound is heard.	<ul style="list-style-type: none"> <li>■ When cooling operation stops, the drain pump operates and then stops. Wait approximately 3 minutes.</li> </ul>
The fan speed changes in spite of not changing the setting.	<ul style="list-style-type: none"> <li>■ Not to blow out cold air at the beginning of heating operation, the air conditioner automatically adjusts the fan speed gradually from lower to the set speed. It also adjust its fan speed to protect the fan motor when return air temperature or fan speed excessively rises.</li> </ul>

\*1: Only for wired remote controller

## 7. Trouble Shooting

Having trouble?	Here is the solution. (Unit is operating normally.)												
Noise is louder than specifications.	<p>■ The indoor operation sound level is affected by the acoustics of the particular room as shown in the following table and will be higher than the noise specification, which was measured in an echo-free room.</p> <table border="1"> <thead> <tr> <th></th> <th>High sound-absorbing rooms</th> <th>Normal rooms</th> <th>Low sound-absorbing rooms</th> </tr> </thead> <tbody> <tr> <td>Location examples</td> <td>Broadcasting studio, music room, etc.</td> <td>Reception room, hotel lobby, etc.</td> <td>Office, hotel room</td> </tr> <tr> <td>Noise levels</td> <td>3 to 7 dB</td> <td>6 to 10 dB</td> <td>9 to 13 dB</td> </tr> </tbody> </table>		High sound-absorbing rooms	Normal rooms	Low sound-absorbing rooms	Location examples	Broadcasting studio, music room, etc.	Reception room, hotel lobby, etc.	Office, hotel room	Noise levels	3 to 7 dB	6 to 10 dB	9 to 13 dB
	High sound-absorbing rooms	Normal rooms	Low sound-absorbing rooms										
Location examples	Broadcasting studio, music room, etc.	Reception room, hotel lobby, etc.	Office, hotel room										
Noise levels	3 to 7 dB	6 to 10 dB	9 to 13 dB										
Nothing appears in the IR wireless remote controller display, the display is faint, or signals are not received by the indoor unit unless the IR remote controller is close. (*2)	<p>■ The batteries are low. Replace the batteries and press the Reset button.</p> <p>■ If nothing appears even after the batteries are replaced, make sure that the batteries are installed in the correct directions (+, -).</p>												
The operation lamp near the receiver for the IR wireless remote controller on the indoor unit is blinking. (*2)	<p>■ The self diagnosis function has operated to protect the air conditioner. Do not attempt to repair this equipment by yourself. Turn off the power switch immediately and consult your dealer. Be sure to provide the dealer with the model name.</p>												

\*2: Only for IR wireless remote controller

## 8. Specifications

### PEAD-A-AA4 series

Item	Model	A24AA4	A30AA4	A36AA4	A42AA4	
Power source		208, 230V 60Hz				
Cooling capacity*1/Heating capacity*1	Btu/h	24,000/26,000	30,000/32,000	36,000/37,000	42,000/45,000	
	kW	7.0/7.6	8.8/9.4	10.6/10.8	12.3/13.2	
Dimensions	Height	250 [9-13/16]				
	Width	1100 [43-5/16]		1400 [55-1/8]		
	Depth	732 [28-13/16]				
Net weight	kg [lb]	33 [73]		41 [91]	43 [95]	
Fan	Airflow rate (Low-Mid-High)	CFM	512-635-741	618-742-883	847-1024-1201	1042-1254-1483
	External static pressure*2	in. WG	0.14-0.20-0.28-0.40-0.60			
		[Pa]	[35/50/70/100/150]			
Sound level (Low-Mid-High)*2*3	dB (A)	29-33-37	30-34-38	33-38-42	36-40-44	
Filter		Standard filter				

- Notes: 1. Rating conditions (cooling) Indoor : 80 °F [26.7 °C] D.B., 67 °F [19.4 °C] W.B. Outdoor : 95 °F [35 °C] D.B.  
 2. Rating conditions (heating) Indoor : 70 °F [21.1 °C] D.B. Outdoor : 47 °F [8.3 °C] D.B., 43 °F [6.1 °C] W.B.  
 3. The capacity is indicated the value when one indoor unit is connected to the outdoor unit.  
 4. Specifications subject to change without notice.  
 5. The external static pressure is set to 0.20 in. WG (50 Pa) at factory shipment.

### Guaranteed operating range

		Indoor
Cooling	Upper limit	95 °F [35 °C] D.B.
		71 °F [21.7 °C] W.B.
	Lower limit	67 °F [19.4 °C] D.B.
		57 °F [13.9 °C] W.B.
Heating	Upper limit	80 °F [26.7 °C] D.B.
		—
	Lower limit	70 °F [21.1 °C] D.B.
		—

- Notes: 1. Units should be installed by licensed electric contractor accordingly to local code requirement.  
 2. For outdoor units to be connected, refer to the Installation Manual that comes with the units.

# Index

1. Consignes de sécurité .....	7	5. Fonctionnement d'urgence de la télécommande sans fil infrarouge .....	9
2. Nomenclature .....	7	6. Entretien et nettoyage .....	9
3. Fonctionnement .....	8	7. Guide de dépannage .....	10
4. Minuterie .....	9	8. Spécifications techniques .....	11

Remarque (Marquage WEEE)



Ce symbole est utilisé uniquement pour les pays de l'UE.

Ce symbole est conforme à la directive 2002/96/EC Article 10 Informations à l'attention des usagers et Annexe IV.

Votre produit Mitsubishi Electric est conçu et fabriqué avec des matériaux et des composants de qualité supérieure qui peuvent être recyclés et réutilisés.

Ce symbole signifie que les équipements électriques et électroniques, à la fin de leur durée de service, doivent être éliminés séparément des ordures ménagères. Nous vous prions donc de confier cet équipement à votre centre local de collecte/recyclage.

Dans l'Union Européenne, il existe des systèmes sélectifs de collecte pour les produits électriques et électroniques usagés.

Aidez-nous à conserver l'environnement dans lequel nous vivons !

## 1. Consignes de sécurité

- ▶ Avant d'installer le climatiseur, lire attentivement toutes les "Consignes de sécurité".
- ▶ Les "Consignes de sécurité" reprennent des points très importants concernant la sécurité. Veuillez bien à les suivre.
- ▶ Veuillez consulter ou obtenir la permission votre compagnie d'électricité avant de connecter votre système.

### Symboles utilisés dans le texte

⚠ Avertissement:

Précautions à suivre pour éviter tout danger de blessure ou de décès de l'utilisateur.

⚠ Précaution:

Décrit les précautions qui doivent être prises pour éviter d'endommager l'appareil.

### Symboles utilisés dans les illustrations

⬇ : Indique un élément qui doit être mis à la terre.

⚠ Avertissement:

- Cet appareil ne doit pas être installé par l'utilisateur. Demander au revendeur ou à une société agréée de l'installer. Si l'appareil n'est pas correctement installé il peut y avoir un risque de fuite d'eau, d'électrocution ou d'incendie.
- Ne pas marcher sur l'appareil ni y déposer des objets.
- Ne jamais éclabousser l'appareil ni le toucher avec des mains humides. Il pourrait en résulter un risque d'électrocution.
- Ne pas vaporiser de gaz inflammable à proximité de l'appareil sous risque d'incendie.
- Ne pas placer de chauffage au gaz ou tout autre appareil fonctionnant avec une flamme vive là où il serait exposé à l'échappement d'air du climatiseur. Cela risquerait de provoquer une mauvaise combustion.
- Ne pas retirer la face avant ou la protection du ventilateur de l'appareil extérieur pendant son fonctionnement.

⚠ Précaution:

- Ne pas utiliser d'objet pointu pour enfoncer les boutons car cela risquerait d'endommager la commande à distance.
- Ne jamais obstruer les entrées et sorties des appareils extérieurs et intérieurs.

- Si vous remarquez des vibrations ou des bruits particulièrement anormaux, arrêter l'appareil, éteindre l'interrupteur et prendre contact avec le revendeur.
- Ne jamais mettre des doigts, des bâtons, etc. dans les entrées et sorties d'air.
- Si vous sentez des odeurs étranges, arrêter l'appareil, le mettre hors tension et contacter le revendeur. Si vous ne procédez pas de cette façon, il pourrait y avoir risque de panne, d'électrocution ou d'incendie.
- Ne JAMAIS laisser des enfants ou des personnes handicapées utiliser le climatiseur sans surveillance.
- Toujours surveiller que les jeunes enfants ne jouent pas avec le climatiseur.
- Si le gaz de réfrigérant fuit, arrêter le fonctionnement du climatiseur, aérer convenablement la pièce et prendre contact avec le revendeur.

### Rangement de l'appareil

Lorsque vous devez ranger l'appareil, veuillez consulter votre revendeur.

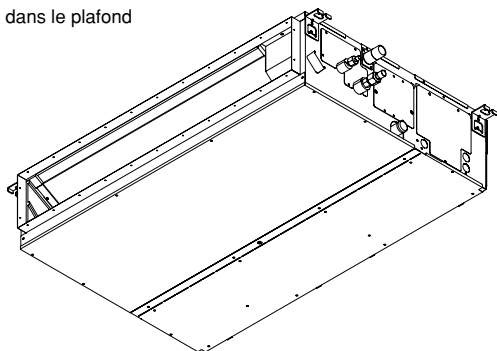
## 2. Nomenclature

### ■ Unité interne

	PEAD-A-AA4
Modes du ventilateur	3 modes
Ailette	—
Louvre	—
Filtre	Normal
Témoin de nettoyage du filtre	—

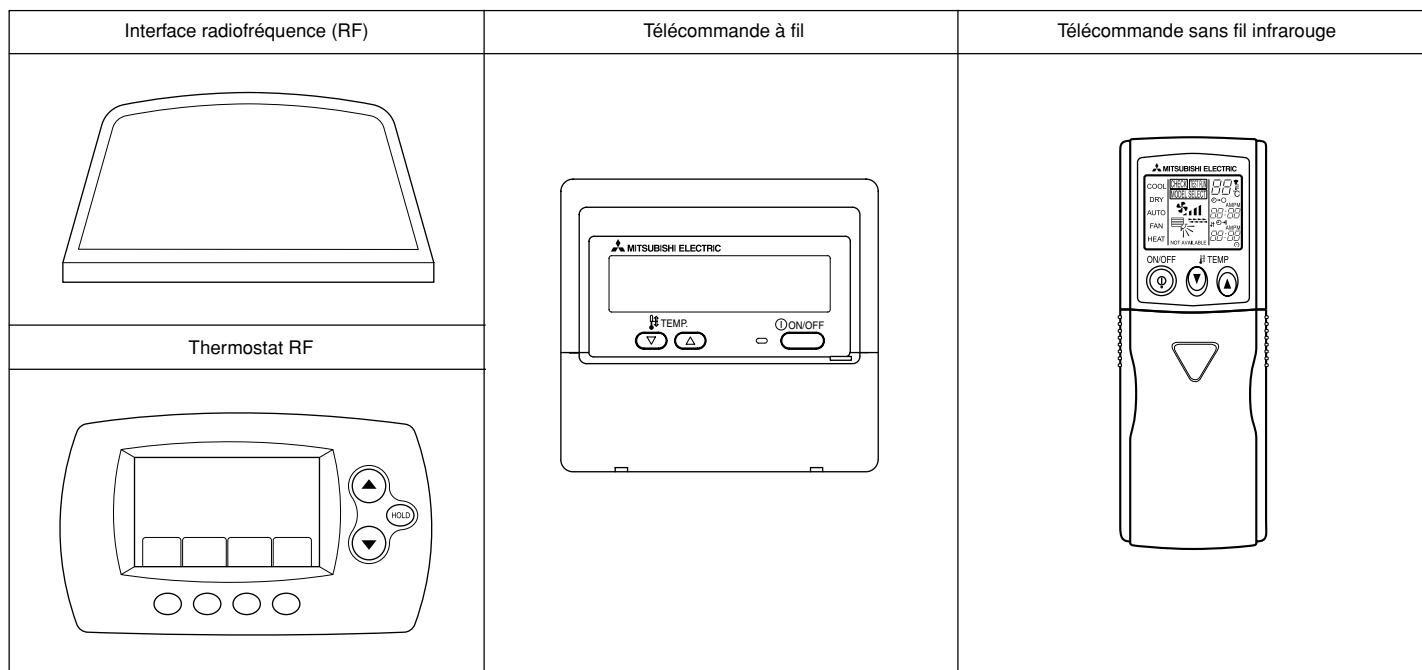
### ■ PEAD-A-AA4

Dissimulé dans le plafond



## 2. Nomenclature

### ■ Télécommande (pièces en option)



## 3. Fonctionnement

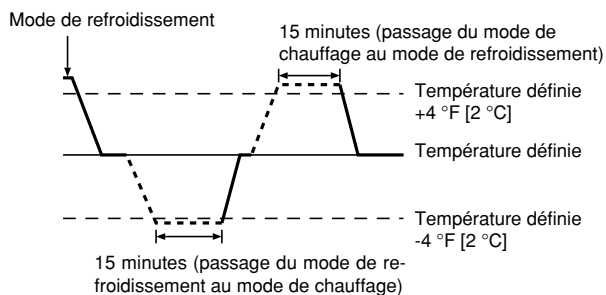
■ Concernant le mode de fonctionnement, reportez-vous au manuel d'utilisation fourni avec chaque télécommande.

### 3.1. Choix du mode

Les modes de refroidissement/d'assèchement/de soufflerie/de chauffage/automatique (refroidissement/chauffage)/de ventilation sont disponibles.

Remarque :

- Le mode de chauffage et le mode automatique ne sont pas disponibles pour les appareils de refroidissement uniquement.
- Mode de ventilation : uniquement indiqué dans les conditions suivantes. Utilisation de la télécommande à fil et raccordement d'un appareil LOSSNAY.
- Mode automatique
  - En fonction de la température définie préalablement, l'opération de refroidissement débutera si la température de la pièce est trop élevée ; à l'inverse, l'opération de chauffage débutera si la température de la pièce est trop basse.
  - En mode de fonctionnement automatique, le climatiseur passera en mode de refroidissement si la température de la pièce varie et affiche 4 °F [2 °C] ou plus au-dessus de la température définie pendant 15 minutes. De la même façon, le climatiseur passera en mode de chauffage si la température de la pièce affiche 4 °F [2 °C] ou plus au-dessous de la température définie pendant 15 minutes.



### 3.2. Réglage de la vitesse du ventilateur

Remarque :

- Le nombre de ventilateurs disponible dépend du type d'unité connectée.
- Dans les cas suivants, la vitesse de ventilation actuelle générée par l'unité différera de la vitesse indiquée au niveau de la commande à distance.
  1. Lorsque l'unité est en mode PRE CHAUFFAGE ou DEGIVRAGE.
  2. Lorsque la température de l'échangeur thermique est basse en mode de chauffage. (par ex. immédiatement après le lancement de l'opération de chauffage)
  3. En mode CHAUFFAGE, quand la température ambiante dans la pièce est supérieure à la température réglée.
  4. Quand l'unité est en mode SEC.

### 3.3. Ventilation

► Pour les appareils combinés LOSSNAY

- Les 2 modèles de fonctionnement suivants sont disponibles.
  - Fonctionnement du ventilateur avec l'unité intérieure.
  - Fonctionnement autonome du ventilateur.

Remarque :

- Dans certaines configurations, la soufflerie de l'unité intérieure peut se mettre en marche même en cas d'activation du fonctionnement autonome du ventilateur.

Remarque : (pour la télécommande sans fil infrarouge et le thermostat RF)

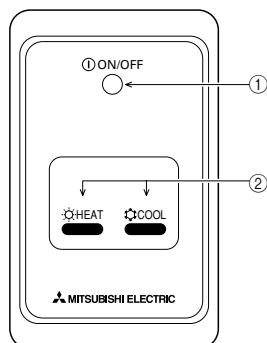
- Impossible de faire fonctionner le ventilateur de façon autonome.
- Aucune indication sur la télécommande.



## 4. Minuterie

- Les fonctions de minuterie sont différentes pour chaque télécommande.
- Pour plus de détails sur le mode de fonctionnement de la télécommande, reportez-vous au manuel d'utilisation approprié fourni avec chaque télécommande.

## 5. Fonctionnement d'urgence de la télécommande sans fil infrarouge



① **Voyant ON/OFF** (s'allume lorsque l'appareil est en fonctionnement ; s'éteint lorsqu'il n'est pas en fonctionnement)

② **Fonctionnement d'urgence**

Si la télécommande ne fonctionne pas correctement, utiliser la touche COOL ou HEAT de la télécommande sans fil de l'unité de réception des signaux pour activer ou désactiver l'appareil. Sur les appareils de refroidissement uniquement, une pression sur la touche HEAT permet d'activer ou de désactiver le ventilateur.

Une pression sur la touche COOL ou HEAT permet de sélectionner les paramètres suivants.

Mode de fonctionnement	COOL	HEAT
Température programmée	24 °C/75 °F	24 °C/75 °F
Vitesse de ventilation	Elevée	Elevée

## 6. Entretien et nettoyage

### ► Nettoyage des filtres

- Nettoyer les filtres avec un aspirateur. Si vous ne possédez pas d'aspirateur, battre les filtres contre un objet dur afin de les secouer et de retirer toutes les saletés et la poussière.
- Si les filtres sont particulièrement sales, les laver à l'eau tiède. Veiller à rincer soigneusement toute trace de détergent et laisser sécher les filtres complètement avant de les remonter dans le climatiseur.

#### ⚠ Précaution:

- **Ne jamais laisser sécher les filtres au soleil ni les sécher en utilisant une source de chaleur comme un chauffage électrique : vous risqueriez de les déformer.**
- **Ne jamais laver les filtres à l'eau chaude (au-dessus de 122 °F [50 °C]) car vous risqueriez de les faire gondoler.**
- **Veiller à ce que les filtres à air soient toujours en place. La mise en marche de l'appareil alors que les filtres sont retirés pourrait en effet être à l'origine d'un mauvais fonctionnement.**

#### ⚠ Précaution:

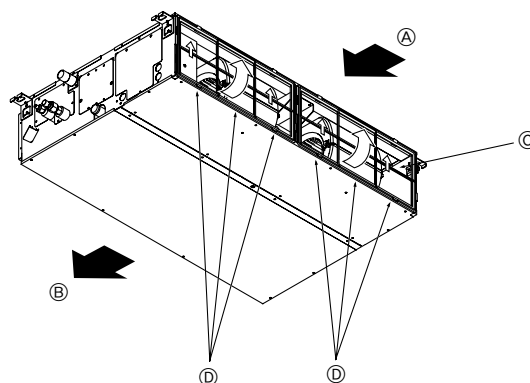
- **Avant de commencer le nettoyage, arrêter l'appareil et couper l'alimentation.**
- **Les appareils intérieurs sont équipés de filtres servant à extraire les poussières de l'air aspiré. Nettoyer les filtres selon les méthodes illustrées ci-après.**

### ► Retrait du filtre

#### ⚠ Précaution:

- **Lors du retrait du filtre, se protéger les yeux de la poussière. Si vous devez monter sur le rebord d'une fenêtre pour effectuer l'opération, attention de ne pas tomber.**
- **Une fois le filtre retiré, ne pas toucher les pièces métalliques internes de l'appareil intérieur sous peine de blessure.**

#### ■ PEAD-A-AA4



- **Tout en levant le bouton de filtre, le tirer.**

Ⓐ Entrée d'air Ⓑ Sortie d'air Ⓒ Filtre Ⓓ Bouton

## 7. Guide de dépannage

En cas de problème :	Voici la solution. (L'appareil fonctionne normalement.)
Le climatiseur ne chauffe ni ne refroidit correctement.	<ul style="list-style-type: none"> <li>■ Nettoyez le filtre. (Le débit d'air est réduit lorsque le filtre est sale ou colmaté.)</li> <li>■ Contrôlez la température et ajustez la température définie en conséquence.</li> <li>■ Assurez-vous qu'il y a suffisamment d'espace autour de l'appareil extérieur. L'admission ou la sortie d'air de l'appareil intérieur est-elle bloquée ?</li> <li>■ Une porte ou une fenêtre a-t-elle été laissée ouverte ?</li> </ul>
Lorsque l'opération de chauffage débute, de l'air chaud n'est pas expulsé immédiatement de l'appareil intérieur.	<ul style="list-style-type: none"> <li>■ De l'air chaud est expulsé uniquement lorsque l'appareil intérieur est suffisamment chaud.</li> </ul>
En mode de chauffage, le climatiseur s'arrête avant que la température définie pour la pièce soit atteinte.	<ul style="list-style-type: none"> <li>■ Lorsque la température extérieure est basse et l'humidité de l'air importante, du givre peut se former sur l'appareil extérieur. Dans ce cas, l'appareil extérieur procède à une opération de dégivrage. Un fonctionnement normal de l'appareil devrait débiter au bout de 10 minutes environ.</li> </ul>
Lorsque la direction du débit d'air est modifiée, les ailettes se déplacent toujours vers le haut et vers le bas au-delà de la position déterminée avant de s'arrêter sur la position souhaitée.	<ul style="list-style-type: none"> <li>■ Lorsque la direction du débit d'air est modifiée, les ailettes se placent sur la position déterminée après être passées par la position de base.</li> </ul>
Un bruit d'eau qui ruisselle ou plus rarement un souffle peut être perçu.	<ul style="list-style-type: none"> <li>■ Ces bruits peuvent être perçus lorsque le réfrigérant circule dans le climatiseur ou lorsque le flux du réfrigérant a été modifié.</li> </ul>
Un craquement ou un grincement peut être perçu.	<ul style="list-style-type: none"> <li>■ Ces bruits peuvent être perçus lorsque les pièces du climatiseur frottent les unes contre les autres en raison de l'expansion et de la contraction qui résultent des variations de température.</li> </ul>
La pièce a une odeur désagréable.	<ul style="list-style-type: none"> <li>■ L'appareil intérieur aspire de l'air qui contient des gaz produits par les murs, les moquettes et les meubles ainsi que des odeurs véhiculées par les vêtements, puis il les expulse à nouveau dans la pièce.</li> </ul>
Une buée ou vapeur blanche sort de l'appareil intérieur.	<ul style="list-style-type: none"> <li>■ Si la température intérieure et l'humidité de l'air sont élevées, cette situation peut se produire en début d'opération.</li> <li>■ En mode de dégivrage, de l'air froid peut être expulsé et avoir l'apparence de la buée.</li> </ul>
De l'eau ou de la vapeur sort de l'appareil extérieur.	<ul style="list-style-type: none"> <li>■ En mode de refroidissement, de l'eau peut se former et suinter des tuyaux et des raccords froids.</li> <li>■ En mode de chauffage, de l'eau peut se former et suinter de l'échangeur thermique.</li> <li>■ En mode de dégivrage, l'eau présente sur l'échangeur thermique s'évapore provoquant ainsi une émission de vapeur d'eau.</li> </ul>
Le témoin de fonctionnement n'apparaît pas sur l'écran de la télécommande à fil. (*1)	<ul style="list-style-type: none"> <li>■ Mettez l'unité sous tension. Le signe "●" s'affiche sur l'écran de la télécommande à fil.</li> </ul>
Le signe "☒" s'affiche sur l'écran de la télécommande à fil. (*1)	<ul style="list-style-type: none"> <li>■ Lors du contrôle centralisé, le signe "☒" s'affiche sur l'écran de la télécommande à fil, et le fonctionnement du climatiseur ne peut pas être activé ou désactivé à l'aide de la télécommande à fil.</li> </ul>
Lorsque le climatiseur est redémarré immédiatement après avoir été éteint, son fonctionnement est bloqué même si la touche "ON/OFF" (Marche/Arrêt) est sollicitée.	<ul style="list-style-type: none"> <li>■ Patientez trois minutes environ. (Le fonctionnement s'est arrêté pour protéger le climatiseur.)</li> </ul>
Le climatiseur fonctionne sans que la touche "ON/OFF" (Marche/Arrêt) soit sollicitée. (*1)	<ul style="list-style-type: none"> <li>■ La fonction de marche de la minuterie a-t-elle été réglée ? Appuyez sur la touche "ON/OFF" (Marche/Arrêt) pour l'arrêter.</li> <li>■ Le climatiseur est-il raccordé à une télécommande à fil centralisée ? Veuillez consulter les personnes responsables du contrôle du climatiseur.</li> <li>■ Le signe "☒" s'affiche-t-il sur l'écran de la télécommande à fil ? Veuillez consulter les personnes responsables du contrôle du climatiseur.</li> <li>■ La fonction de recouvrement auto en cas de coupure d'électricité a-t-elle été réglée ? Appuyez sur la touche "ON/OFF" (Marche/Arrêt) pour l'arrêter.</li> </ul>
Le climatiseur s'arrête sans que la touche "ON/OFF" (Marche/Arrêt) soit sollicitée. (*1)	<ul style="list-style-type: none"> <li>■ La fonction d'arrêt de la minuterie a-t-elle été réglée ? Appuyez sur la touche "ON/OFF" (Marche/Arrêt) pour relancer l'opération.</li> <li>■ Le climatiseur est-il raccordé à une télécommande à fil centralisée ? Veuillez consulter les personnes responsables du contrôle du climatiseur.</li> <li>■ Le signe "☒" s'affiche-t-il sur l'écran de la télécommande à fil ? Veuillez consulter les personnes responsables du contrôle du climatiseur.</li> </ul>
Le fonctionnement de la minuterie de la télécommande à fil ne peut pas être réglé. (*1)	<ul style="list-style-type: none"> <li>■ Les paramètres de la minuterie sont-ils invalides ? Si la minuterie peut être réglée, l'indication (WEEKLY), (SIMPLE), ou (AUTO OFF) s'affiche sur l'écran de la télécommande à fil.</li> </ul>
Le message "PLEASE WAIT" (VEUILLEZ PATIENTER) s'affiche sur l'écran de la télécommande à fil. (*1)	<ul style="list-style-type: none"> <li>■ Les paramètres initiaux sont en cours d'exécution. Patientez trois minutes environ.</li> </ul>
Un code d'erreur apparaît sur l'écran de la télécommande.	<ul style="list-style-type: none"> <li>■ Les dispositifs de protection ont fonctionné pour protéger le climatiseur.</li> <li>■ N'essayez pas de réparer cet appareil vous-même. Mettez l'appareil hors tension immédiatement et consultez votre revendeur. Vous devrez fournir au revendeur le nom du modèle et les informations qui apparaissent sur l'écran de la télécommande.</li> </ul>
Un bruit de goutte à goutte ou de moteur qui tourne peut être perçu.	<ul style="list-style-type: none"> <li>■ A l'arrêt de l'opération de refroidissement, la pompe de vidange se met en marche puis s'arrête. Patientez 3 minutes environ.</li> </ul>
La vitesse du ventilateur change même si le réglage n'a pas été modifié.	<ul style="list-style-type: none"> <li>■ Le climatiseur augmente automatiquement la vitesse du ventilateur (passage progressif d'une vitesse inférieure vers la vitesse réglée) de manière à ne pas souffler d'air froid au début de l'opération de chauffage. Il réduit également la vitesse du ventilateur pour protéger le moteur du ventilateur lorsque la température de l'air de retour ou la vitesse du ventilateur devient excessivement élevée.</li> </ul>

\*1 : Uniquement pour la télécommande à fil.

## 7. Guide de dépannage

En cas de problème :	Voici la solution. (L'appareil fonctionne normalement.)												
Le bruit perçu est supérieur aux caractéristiques sonores.	<p>■ Le niveau sonore du fonctionnement intérieur dépend de l'acoustique de la pièce dans laquelle l'appareil est installé (voir tableau suivant), et sera supérieur aux caractéristiques sonores (mesurées dans une pièce sans écho).</p> <table border="1"> <thead> <tr> <th></th> <th>Pièces présentant une absorption phonique élevée</th> <th>Pièces présentant une absorption phonique normale</th> <th>Pièces présentant une absorption phonique faible</th> </tr> </thead> <tbody> <tr> <td>Exemples de pièce</td> <td>Studio de radiodiffusion, salle de musique, etc.</td> <td>Salle de réception, entrée d'hôtel, etc.</td> <td>Bureau, chambre d'hôtel</td> </tr> <tr> <td>Niveaux sonores</td> <td>3 à 7 dB</td> <td>6 à 10 dB</td> <td>9 à 13 dB</td> </tr> </tbody> </table>		Pièces présentant une absorption phonique élevée	Pièces présentant une absorption phonique normale	Pièces présentant une absorption phonique faible	Exemples de pièce	Studio de radiodiffusion, salle de musique, etc.	Salle de réception, entrée d'hôtel, etc.	Bureau, chambre d'hôtel	Niveaux sonores	3 à 7 dB	6 à 10 dB	9 à 13 dB
	Pièces présentant une absorption phonique élevée	Pièces présentant une absorption phonique normale	Pièces présentant une absorption phonique faible										
Exemples de pièce	Studio de radiodiffusion, salle de musique, etc.	Salle de réception, entrée d'hôtel, etc.	Bureau, chambre d'hôtel										
Niveaux sonores	3 à 7 dB	6 à 10 dB	9 à 13 dB										
Rien ne s'affiche sur l'écran de la télécommande sans fil infrarouge, l'affichage est flou, ou l'unité intérieure ne reçoit les signaux que lorsque la télécommande sans fil infrarouge est à proximité. (*2)	<p>■ Les piles sont faibles. Remplacez les piles et appuyez sur la touche "Reset" (Réinitialiser).</p> <p>■ Si rien n'apparaît suite au remplacement des piles, assurez-vous que les piles sont insérées conformément à la polarité indiquée (+, -).</p>												
Le témoin de fonctionnement situé près du récepteur de la télécommande sans fil infrarouge sur l'appareil intérieur clignote. (*2)	<p>■ La fonction d'auto-diagnostic a fonctionné pour protéger le climatiseur.</p> <p>■ N'essayez pas de réparer cet appareil vous-même. Mettez l'appareil hors tension immédiatement et consultez votre revendeur. Veuillez fournir au revendeur le nom du modèle.</p>												

\*2 : Uniquement pour la télécommande sans fil infrarouge.

## 8. Spécifications techniques

### Série PEAD-A-AA4

Elément		Modèle	A24AA4	A30AA4	A36AA4	A42AA4
Source d'alimentation			208, 230V 60Hz			
Capacité de refroidissement*1/	Btu/h		24 000/26 000	30 000/32 000	36 000/37 000	42 000/45 000
Capacité de chauffage*1	kW		7,0/7,6	8,8/9,4	10,6/10,8	12,3/13,2
Dimensions	Hauteur	mm [in]	250 [9-13/16]			
	Largeur	mm [in]	1100 [43-5/16]		1400 [55-1/8]	
	Profondeur	mm [in]	732 [28-13/16]			
Poids net	kg [lb]		33 [73]		41 [91]	43 [95]
Ventilateur	Débit d'air (Faible-Moyenne-Grande)	CFM	512-635-741	618-742-883	847-1024-1201	1042-1254-1483
	Pression statique extérieure*2	in. WG	0,14-0,20-0,28-0,40-0,60			
		[Pa]	[35/50/70/100/150]			
Niveau de bruit (Faible-Moyenne-Grande)**2*3	dB (A)		29-33-37	30-34-38	33-38-42	36-40-44
Filter			Standard filtre			

- Remarques: 1. Conditions de tension (refroidissement) A l'intérieur: 80 °F [26,7 °C] D.B., 67 °F [19,4 °C] W.B. A l'extérieur: 95 °F [35 °C] D.B.  
 2. Conditions de tension (chauffage) A l'intérieur: 70 °F [21,1 °C] D.B. A l'extérieur: 47 °F [8,3 °C] D.B., 43 °F [6,1 °C] W.B.  
 3. La valeur indique la capacité quand un appareil intérieur est raccordé à un appareil extérieur.  
 4. Spécifications sujettes à modifications sans avis préalable.  
 5. La pression statique externe a été réglée sur la valeur 0,20 in. WG (50 Pa) en usine.

### Fourchette de fonctionnement garantie

		A l'intérieur
Refroidissement	Maximum	95 °F [35 °C] D.B.
		71 °F [21,7 °C] W.B.
	Minimum	67 °F [19,4 °C] D.B.
		57 °F [13,9 °C] W.B.
Chauffage	Maximum	80 °F [26,7 °C] D.B.
		-
	Minimum	70 °F [21,1 °C] D.B.
		-

- Remarques: 1. Les appareils doivent être installés par un électricien professionnel agréé en fonction des normes locales.  
 2. Pour le raccordement des appareils extérieurs, reportez-vous au manuel d'installation fourni avec les appareils.

This product is designed and intended for use in the residential,  
commercial and light-industrial environment.

Please be sure to put the contact address/telephone number on  
this manual before handing it to the customer.