



CITY MULTI

Air-Conditioners For Building Application HEAT SOURCE UNIT

PQHY-P72.96TGMU-A

For use with R410A

INSTALLATION MANUAL

For safe and correct use, please read this installation manual thoroughly before installing the air-conditioner unit.

MANUEL D'INSTALLATION

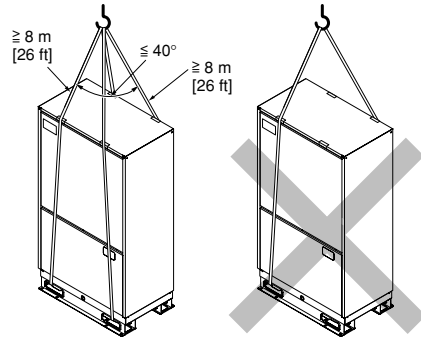
Veillez lire le manuel d'installation en entier avant d'installer ce climatiseur pour éviter tout accident et vous assurer d'une utilisation correcte.

GB

F

5

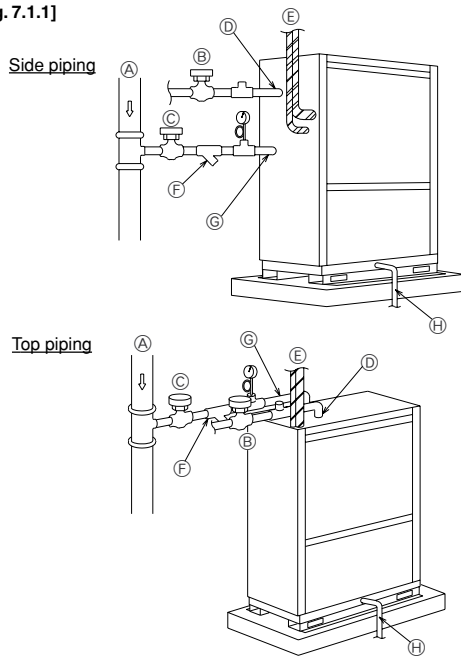
[Fig. 5.0.1]



7

7.1

[Fig. 7.1.1]



- Ⓐ Water circulation pipe
- Ⓑ Close valve
- Ⓒ Close valve
- Ⓓ Water outlet
- Ⓔ Refrigerant piping
- Ⓕ Y-type strainer
- Ⓖ Water inlet
- Ⓗ Drain pipe

7.4

[Fig. 7.4.1]

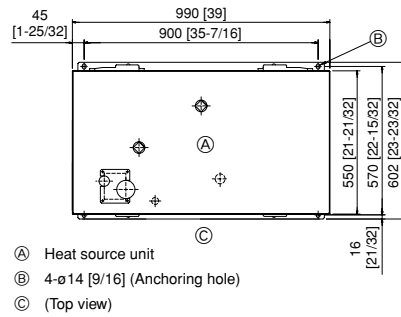


- Ⓐ Short-circuit wire (Connected before delivery from manufacturer)
- Ⓑ Pump interlock circuit connection

6

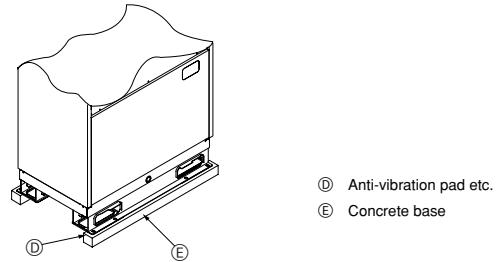
6.1

[Fig. 6.1.1]



- Ⓐ Heat source unit
- Ⓑ 4-ø14 [9/16] (Anchoring hole)
- Ⓒ (Top view)

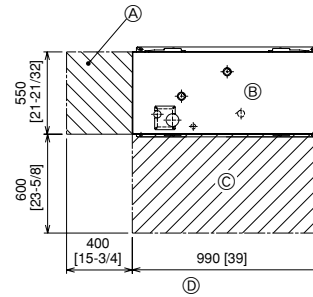
[Fig. 6.1.2]



- Ⓓ Anti-vibration pad etc.
- Ⓔ Concrete base

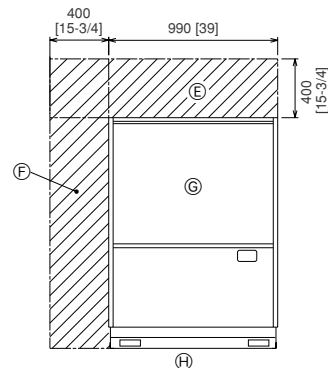
6.2

[Fig. 6.2.1]



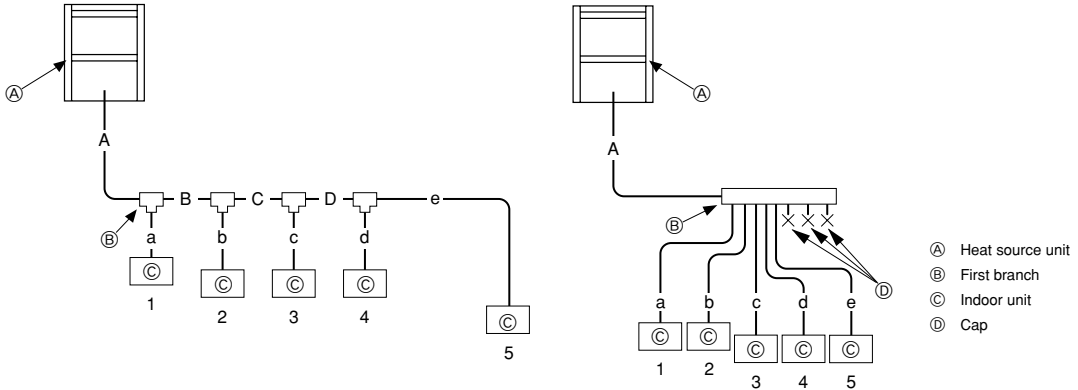
- Ⓐ Piping space (for side piping)
- Ⓑ Heat source unit
- Ⓒ Service space (front side)
- Ⓓ (Top view)

[Fig. 6.2.2]



- Ⓔ Piping space (for top piping)
- Ⓕ Piping space (for side piping)
- Ⓒ Heat source unit
- Ⓗ (Front view)

[Fig. 8.2.1]



A (Unit: mm [in])

[A] Heat source model	[B] Liquid pipe	[C] Gas pipe
P72	ø9.52 [3/8]	ø19.05 [3/4]
P96	*ø9.52 [3/8]	ø22.2 [7/8]

* ø12.7 [1/2] for over 90m [295 ft]

B, C, D (Unit: mm [in])

[D] Total capacity of indoor units	[B] Liquid pipe	[C] Gas pipe
~ 54	ø9.52 [3/8]	ø15.88 [5/8]
55 ~ 72	ø9.52 [3/8]	ø19.05 [3/4]
73 ~	ø9.52 [3/8]	ø22.2 [7/8]

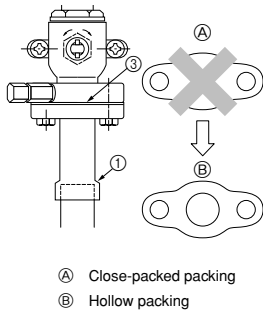
[F] Downstream unit model total	[G] Branch kit model
~ 72	CMY-Y102S-G
73 ~ 400	CMY-Y102L-G

[H] 4-Branching header (Downstream unit model total ≤ 200)	[I] 8-Branching header (Downstream unit model total ≤ 400)	[J] 10-Branching header (Downstream unit model total ≤ 650)
CMY-Y104-G	CMY-Y108-G	CMY-Y1010-G

a, b, c, d, e (Unit: mm [in])

[E] Model number	[B] Liquid pipe	[C] Gas pipe
06,08,12,15,18	ø6.35 [1/4]	ø12.7[1/2]
24,27,30,36,48,54	ø9.52 [3/8]	ø15.88 [5/8]
72	ø9.52 [3/8]	ø19.05 [3/4]
96	ø9.52 [3/8]	ø22.2 [7/8]

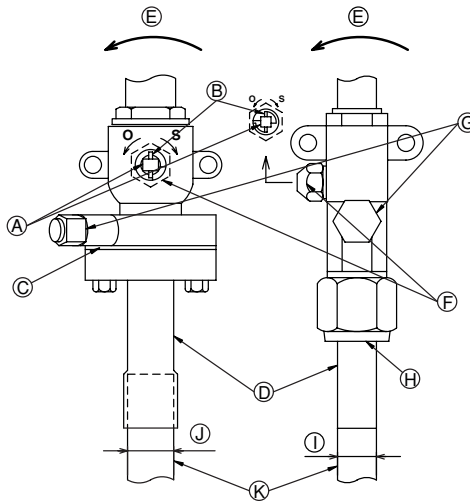
[Fig. 9.2.1]



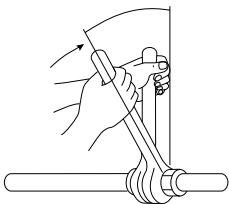
[Fig. 9.2.2]

<A> [Ball valve (Low press. side/flanged type)] [Ball valve (High press. side/flared type)]

<C> This figure shows the valve in the fully open state.



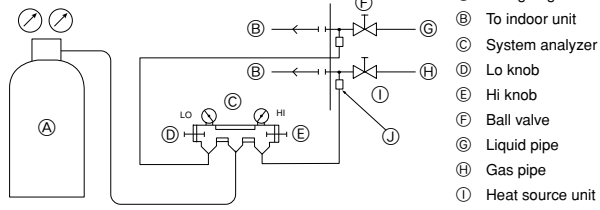
[Fig. 9.2.3]



- A Valve stem
- B Stopper pin
- C Packing (Accessory)
- D Connecting pipe (Accessory)
- E Open (Operate slowly)
- F Cap
- G Service port
- H Flare nut
- I ø9.52 [3/8] (PQHY-P72)
ø9.52 [3/8] (PQHY-P96)
- J ø19.05 [3/4] (PQHY-P72)
ø22.2 [7/8] (PQHY-P96)
- K Field piping

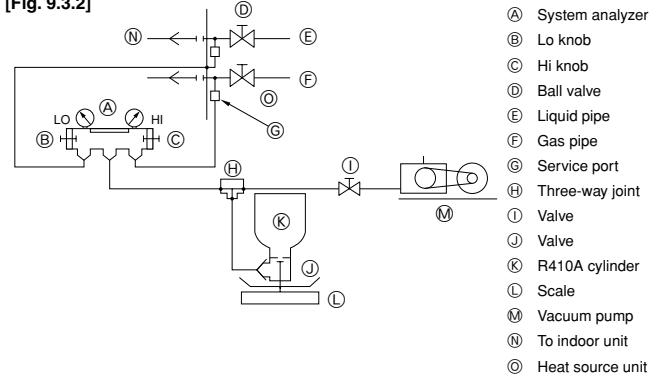
9.3

[Fig. 9.3.1]



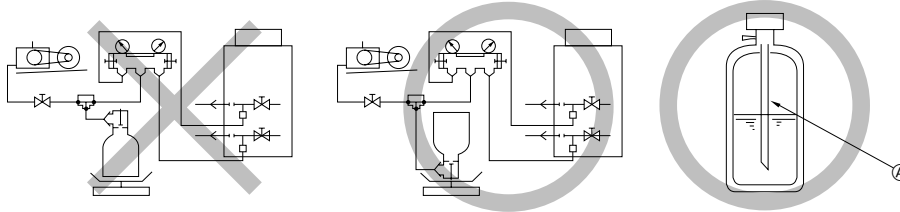
- Ⓐ Nitrogen gas
- Ⓑ To indoor unit
- Ⓒ System analyzer
- Ⓓ Lo knob
- Ⓔ Hi knob
- Ⓕ Ball valve
- Ⓖ Liquid pipe
- Ⓗ Gas pipe
- Ⓘ Heat source unit
- ⓵ Service port

[Fig. 9.3.2]



- Ⓐ System analyzer
- Ⓑ Lo knob
- Ⓒ Hi knob
- Ⓓ Ball valve
- Ⓔ Liquid pipe
- Ⓕ Gas pipe
- Ⓖ Service port
- Ⓗ Three-way joint
- Ⓘ Valve
- ⓵ Valve
- ⓶ R410A cylinder
- ⓷ Scale
- ⓸ Vacuum pump
- ⓹ To indoor unit
- ⓺ Heat source unit

[Fig. 9.3.3]

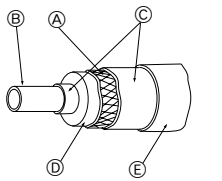


Ⓐ : Syphon pipe

Ⓑ In case of the cylinder having no syphon pipe.

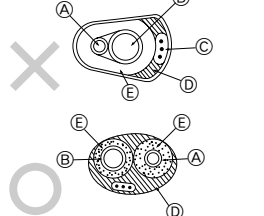
9.4

[Fig. 9.4.1]



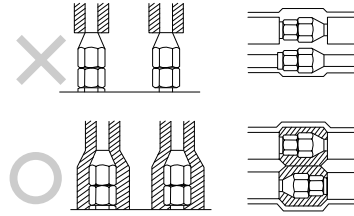
- Ⓐ Steel wire
- Ⓑ Piping
- Ⓒ Asphaltic oily mastic or asphalt
- Ⓓ Heat insulation material A
- Ⓔ Outer covering B

[Fig. 9.4.2]



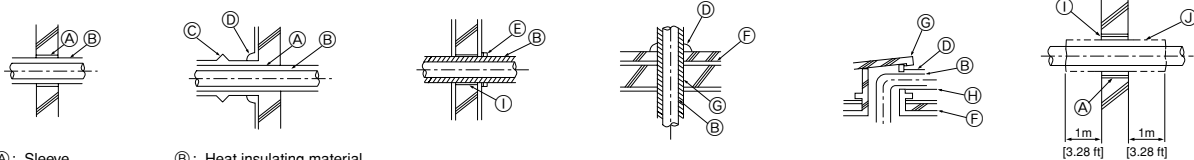
- Ⓐ Liquid pipe
- Ⓑ Gas pipe
- Ⓒ Electric wire
- Ⓓ Finishing tape
- Ⓔ Insulator

[Fig. 9.4.3]



[Fig. 9.4.4]

<A> Inner wall (concealed) Outer wall <C> Outer wall (exposed) <D> Floor (waterproofing) <E> Roof pipe shaft <F> Penetrating portion on fire limit and boundary wall

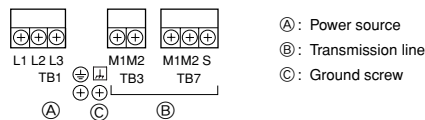


- Ⓐ : Sleeve
- Ⓑ : Heat insulating material
- Ⓒ : Lagging
- Ⓓ : Caulking material
- Ⓔ : Band
- Ⓕ : Waterproofing layer
- Ⓖ : Sleeve with edge
- Ⓖ : Lagging material
- Ⓘ : Mortar or other incombustible caulking
- ⓵ : Incombustible heat insulation material

10

10.2

[Fig. 10.2.1]



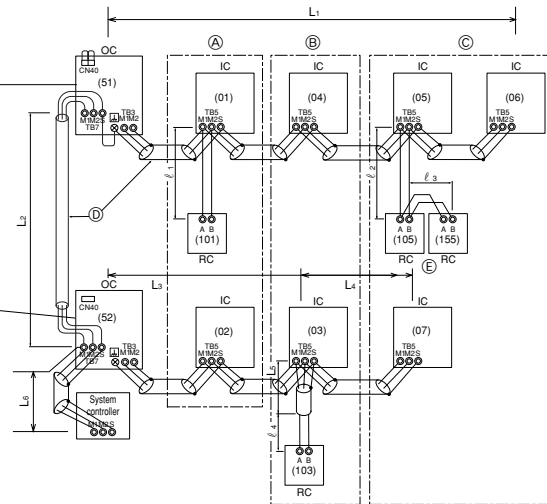
- Ⓐ : Power source
- Ⓑ : Transmission line
- Ⓒ : Ground screw

10.3

[Fig. 10.3.1]

<A> Change the jumper connector from CN41 to CN40
 SW2-1:ON

<C> Keep the jumper connector on CN41
 SW2-1:ON

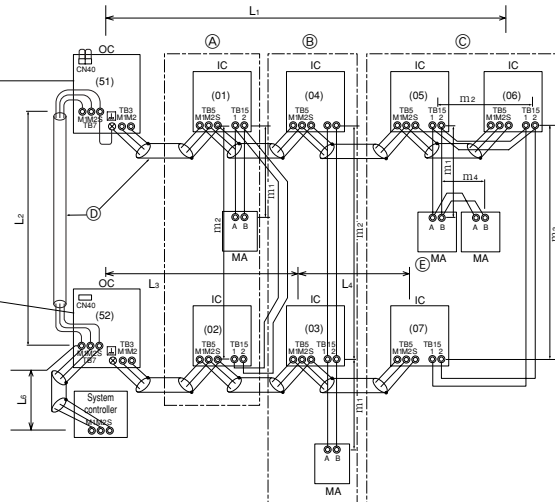


[Fig. 10.3.2]

<A> Change the jumper connector from CN41 to CN40
 SW2-1:ON

<C> Keep the jumper connector on CN41
 SW2-1:ON

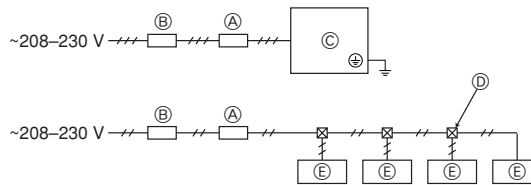
- Ⓐ : Group 1
- Ⓑ : Group 3
- Ⓒ : Group 5
- Ⓓ : Shielded wire
- Ⓔ : Sub remote controller
- () Address



10.4

[Fig. 10.4.1]

- Ⓐ : Switch (breakers for wiring and current leakage)
- Ⓑ : Breakers for current leakage
- Ⓒ : Heat source unit
- Ⓓ : Pull box
- Ⓔ : Indoor unit



Contents


1. Safety precautions	6	8. Refrigerant piping installation	9
1.1. Before installation and electric work	6	8.1. Caution	9
1.2. Precautions for devices that use R410A refrigerant	6	8.2. Refrigerant piping system	9
1.3. Before getting installed	7	9. Additional refrigerant charge	10
1.4. Before installation electrical work	7	9.1. Calculation of additional refrigerant charge	10
1.5. Before starting the test run	7	9.2. Precautions concerning piping connection and valve operation	10
2. About the product	7	9.3. Airtight test, evacuation, and refrigerant charging	11
3. Specifications	7	9.4. Thermal insulation of refrigerant piping	11
4. Confirmation of parts attached	8	10. Wiring	12
5. Lifting method	8	10.1. Caution	12
6. Installation of unit and service space	8	10.2. Control box and connecting position of wiring	12
6.1. Installation	8	10.3. Wiring transmission cables	12
6.2. Service space	8	10.4. Wiring of main power supply and equipment capacity	14
7. Water pipe installation	8	11. Test run	14
7.1. Precautions during installation	8	11.1. The following phenomena do not represent trouble (emergency)	14
7.2. Insulation installation	8	12. Information on rating plate	14
7.3. Water processing and water quality control	8		
7.4. Pump interlock	9		


1. Safety precautions

1.1. Before installation and electric work




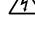
- ▶ Before installing the unit, make sure you read all the “Safety precautions”.
- ▶ The “Safety precautions” provide very important points regarding safety. Make sure you follow them.

Symbols used in the text


 **Warning:**
Describes precautions that should be observed to prevent danger of injury or death to the user.

 **Caution:**
Describes precautions that should be observed to prevent damage to the unit.

Symbols used in the illustrations


-  : Indicates an action that must be avoided.
-  : Indicates that important instructions must be followed.
-  : Indicates a part which must be grounded.
-  : Beware of electric shock. (This symbol is displayed on the main unit label.)
<Color: yellow>

 **Warning:**
Carefully read the labels affixed to the main unit.

-  **Warning:**
 - **Ask the dealer or an authorized technician to install the air conditioner.**
 - Improper installation by the user may result in water leakage, electric shock, or fire.
 - **Install the unit in a place that can withstand its weight.**
 - Inadequate strength may cause the unit to fall down, resulting in injuries.
 - **Use the specified cables for wiring. Make the connections securely so that the outside force of the cable is not applied to the terminals.**
 - Inadequate connection and fastening may generate heat and cause a fire.
 - **Prepare for rain and other moisture and earthquakes and install the unit at the specified place.**
 - Improper installation may cause the unit to topple over and result in injury.
 - **Always use an filter and other accessories specified by Mitsubishi Electric.**
 - Ask an authorized technician to install the accessories. Improper installation by the user may result in water leakage, electric shock, or fire.
 - **Never repair the unit. If the air conditioner must be repaired, consult the dealer.**
 - If the unit is repaired improperly, water leakage, electric shock, or fire may result.
 - **If refrigerant gas leaks during installation work, ventilate the room.**
 - If the refrigerant gas comes into contact with a flame, poisonous gases will be released.
 - **Install the air conditioner according to this Installation Manual.**
 - If the unit is installed improperly, water leakage, electric shock, or fire may result.
 - **Have all electric work done by a licensed electrician according to “Electric Facility Engineering Standard” and “Interior Wire Regulations” and the instructions given in this manual and always use a special circuit.**

- If the power source capacity is inadequate or electric work is performed improperly, electric shock and fire may result.
- **Securely install the heat source unit terminal cover (panel).**
 - If the terminal cover (panel) is not installed properly, dust or water may enter the heat source unit and fire or electric shock may result.
- **When installing and moving the air conditioner to another site, do not charge it with a refrigerant different from the refrigerant (R410A) specified on the unit.**
 - If a different refrigerant or air is mixed with the original refrigerant, the refrigerant cycle may malfunction and the unit may be damaged.
- **If the air conditioner is installed in a small room, measures must be taken to prevent the refrigerant concentration from exceeding the safety limit even if the refrigerant should leak.**
 - Consult the dealer regarding the appropriate measures to prevent the safety limit from being exceeded. Should the refrigerant leak and cause the safety limit to be exceeded, hazards due to lack of oxygen in the room could result.
- **When moving and reinstalling the air conditioner, consult the dealer or an authorized technician.**
 - If the air conditioner is installed improperly, water leakage, electric shock, or fire may result.
- **After completing installation work, make sure that refrigerant gas is not leaking.**
 - If the refrigerant gas leaks and is exposed to a fan heater, stove, oven, or other heat source, it may generate noxious gases.
- **Do not reconstruct or change the settings of the protection devices.**
 - If the pressure switch, thermal switch, or other protection device is shorted and operated forcibly, or parts other than those specified by Mitsubishi Electric are used, fire or explosion may result.
- **To dispose of this product, consult your dealer.**
- **The installer and system specialist shall secure safety against leakage according to local regulation or standards.**
 - Following standards may be applicable if local regulation are not available.
- **Pay a special attention to the place, such as a basement, etc. where refrigeration gas can stay, since refrigeration is heavier than the air.**

1.2. Precautions for devices that use R410A refrigerant

-  **Caution:**
 - **Do not use the existing refrigerant piping.**
 - The old refrigerant and refrigerator oil in the existing piping contains a large amount of chlorine which may cause the refrigerator oil of the new unit to deteriorate.
 - R410A is a high-pressure refrigerant and can cause the existing piping to burst.
 - **Use refrigerant piping made of phosphorus deoxidized copper and copper alloy seamless pipes and tubes. In addition, be sure that the inner and outer surfaces of the pipes are clean and free of hazardous sulphur, oxides, dust/dirt, shaving particles, oils, moisture, or any other contaminant.**
 - Contaminants on the inside of the refrigerant piping may cause the refrigerant residual oil to deteriorate.
 - **Store the piping to be used during installation indoors and keep both ends of the piping sealed until just before brazing. (Store elbows and other joints in a plastic bag.)**
 - If dust, dirt, or water enters the refrigerant cycle, deterioration of the oil and compressor trouble may result.
 - **Use ester oil, ether oil or alkylbenzene (small amount) as the refrigerator oil to coat flares and flange connections.**
 - The refrigerator oil will degrade if it is mixed with a large amount of mineral oil.

- **Use liquid refrigerant to fill the system.**
 - If gas refrigerant is used to seal the system, the composition of the refrigerant in the cylinder will change and performance may drop.
- **Do not use a refrigerant other than R410A.**
 - If another refrigerant (R22, etc.) is mixed with R410A, the chlorine in the refrigerant may cause the refrigerator oil to deteriorate.
- **Use a vacuum pump with a reverse flow check valve.**
 - The vacuum pump oil may flow back into the refrigerant cycle and cause the refrigerator oil to deteriorate.
- **Do not use the following tools that are used with conventional refrigerants.**
(Gauge manifold, charge hose, gas leak detector, reverse flow check valve, refrigerant charge base, refrigerant recovery equipment)
 - If the conventional refrigerant and refrigerator oil are mixed in the R410A, the refrigerant may deteriorate.
 - If water is mixed in the R410A, the refrigerator oil may deteriorate.
 - Since R410A does not contain any chlorine, gas leak detectors for conventional refrigerants will not react to it.
- **Do not use a charging cylinder.**
 - Using a charging cylinder may cause the refrigerant to deteriorate.
- **Be especially careful when managing the tools.**
 - If dust, dirt, or water gets in the refrigerant cycle, the refrigerant may deteriorate.

1.3. Before getting installed

⚠ Caution:

- **Do not install the unit where combustible gas may leak.**
 - If the gas leaks and accumulates around the unit, an explosion may result.
- **Do not use the air conditioner where food, pets, plants, precision instruments, or artwork are kept.**
 - The quality of the food, etc. may deteriorate.
- **Do not use the air conditioner in special environments.**
 - Oil, steam, sulfuric smoke, etc. can significantly reduce the performance of the air conditioner or damage its parts.
- **When installing the unit in a hospital, communication station, or similar place, provide sufficient protection against noise.**
 - The inverter equipment, private power generator, high-frequency medical equipment, or radio communication equipment may cause the air conditioner to operate erroneously, or fail to operate. On the other hand, the air conditioner may affect such equipment by creating noise that disturbs medical treatment or image broadcasting.
- **Do not install the unit on a structure that may cause leakage.**
 - When the room humidity exceeds 80 % or when the drain pipe is clogged, condensation may drip from the indoor unit. Perform collective drainage work together with the heat source unit, as required.

1.4. Before installation electrical work

⚠ Warning

When installing or relocating the unit, make sure that no substance other than the specified refrigerant (R410A) enters the refrigerant circuit. Any presence of foreign substance such as air can cause abnormal pressure rise or explosion.

⚠ Caution:

- **Ground the unit.**
 - Do not connect the ground wire to gas or water pipes, lightning rods, or telephone ground lines. Improper grounding may result in electric shock.

2. About the product

- This unit uses R410A-type refrigerant
- Piping for systems using R410A may be different from that for systems using conventional refrigerant because the design pressure in systems using R410A is higher. Refer to Data Book for more information.
- Some of the tools and equipment used for installation with systems that use other types of refrigerant cannot be used with the systems using R410A. Refer to Data Book for more information.

- **The reverse phase of L lines (L1, L2, L3) can be detected (Error cord: 4103), but the reverse phase of L lines and N line can not be detected.**
 - The some electric parts should be damaged when power is supplied under the miss wiring.
- **Install the power cable so that tension is not applied to the cable.**
 - Tension may cause the cable to break and generate heat and cause a fire.
- **Install a leak circuit breaker, as required.**
 - If a leak circuit breaker is not installed, electric shock may result.
- **Use power line cables of sufficient current carrying capacity and rating.**
 - Cables that are too small may leak, generate heat, and cause a fire.
- **Use only a circuit breaker and fuse of the specified capacity.**
 - A fuse or circuit breaker of a larger capacity or a steel or copper wire may result in a general unit failure or fire.
- **Do not wash the air conditioner units.**
 - Washing them may cause an electric shock.
- **Be careful that the installation base is not damaged by long use.**
 - If the damage is left uncorrected, the unit may fall and cause personal injury or property damage.
- **Install the drain piping according to this Installation Manual to ensure proper drainage. Wrap thermal insulation around the pipes to prevent condensation.**
 - Improper drain piping may cause water leakage and damage to furniture and other possessions.
- **Be very careful about product transportation.**
 - Only one person should not carry the product if it weighs more than 20 kg [45 LBS].
 - Some products use PP bands for packaging. Do not use any PP bands for a means of transportation. It is dangerous.
 - When transporting the heat source unit, support it at the specified positions on the unit base. Also support the heat source unit at four points so that it cannot slip side ways.
- **Safely dispose of the packing materials.**
 - Packing materials, such as nails and other metal or wooden parts, may cause stabs or other injuries.
 - Tear apart and throw away plastic packaging bags so that children will not play with them. If children play with a plastic bag which was not torn apart, they face the risk of suffocation.

1.5. Before starting the test run

⚠ Caution:

- **Turn on the power at least 12 hours before starting operation.**
 - Starting operation immediately after turning on the main power switch can result in severe damage to internal parts. Keep the power switch turned on during the operational season.
- **Do not touch the switches with wet fingers.**
 - Touching a switch with wet fingers can cause electric shock.
- **Do not touch the refrigerant pipes during and immediately after operation.**
 - During and immediately after operation, the refrigerant pipes are may be hot and may be cold, depending on the condition of the refrigerant flowing through the refrigerant piping, compressor, and other refrigerant cycle parts. Your hands may suffer burns or frostbite if you touch the refrigerant pipes.
- **Do not operate the air conditioner with the panels and guards removed.**
 - Rotating, hot, or high-voltage parts can cause injuries.
- **Do not turn off the power immediately after stopping operation.**
 - Always wait at least five minutes before turning off the power. Otherwise, water leakage and trouble may occur.
- **Do not touch the surface of the compressor during servicing.**
 - If unit is connected to the supply and not running, crank case heater at compressor is operating.

- Do not use the existing piping, as it contains chlorine, which is found in conventional refrigerating machine oil and refrigerant. This chlorine will deteriorate the refrigerant machine oil in the new equipment. The existing piping must not be used as the design pressure in systems using R410A is higher than that in the systems using other types of refrigerant and the existing pipes may burst.

3. Specifications

Model	PQHY-P72TGMU-A		PQHY-P96TGMU-A
Noise level	46 dB <A>		47 dB <A>
Net weight	266 kg [588 LBS]		269 kg [594 LBS]
Allowable pressure	HP: 4.15 MPa [601 psi], LP: 2.21 MPa [320 psi]		
Refrigerant	R410A: 7.0 kg [15 LBS 7 oz]		R410A: 8.0 kg [17 LBS 11 oz]
Indoor units	Total capacity	50 ~ 130 %	
	Model / Quantity	P06 ~ P96 / 1 ~ 13	P06 ~ P96 / 1 ~ 16
Operation temperature	Water temperature: 10 °C ~ 45 °C [50 °F ~ 113 °F]		
Maximum water pressure	1.0 MPa [145 psi]		
Rated water volume	4.56 m³/h [1204 G/h]		5.76 m³/h [1521 G/h]
Allowable water volume	3.9 ~ 6.8 m³/h [1030 ~ 1795 G/h]		4.5 ~ 7.2 m³/h [1181 ~ 1901 G/h]

4. Confirmation of parts attached

- ① Connecting pipe × 1 (Connecting pipe is fixed with the unit.)
- ③ Bushing × 2

- ② Packing (inside ø23 [29/32 in], outside ø35 [1-13/32 in]) × 1

5. Lifting method

[Fig. 5.0.1] (P.2)

⚠ Caution:

Be very careful when carrying the product.

- Do not have only one person to carry product if it is more than 20 kg [46 LBS].
- PP bands are used to pack some products. Do not use them as a mean for transportation because they are dangerous.
- Tear plastic packaging bag and scrap it so that children cannot play with it. Otherwise plastic packaging bag may suffocate children to death.
- When carrying the heat source unit, be sure to support it at four points. Carrying with 3-point support may make the heat source unit unstable, resulting in it falling.

6. Installation of unit and service space

6.1. Installation

- Using the anchoring holes shown below, firmly bolt the unit to the base.

[Fig. 6.1.1] (P.2)

- Ⓐ Heat source unit
- Ⓑ 4-ø14 [9/16] (Anchoring hole)
- Ⓒ (Top view)

Bases and anti-vibration

- Be sure to install unit in a place strong enough to withstand its weight. If the base is unstable, reinforce with a concrete base.
- The unit must be anchored on a level surface. Use a level to check after installation.
- Anti-vibration pads must be placed under the base of the unit.
- If the unit is installed near a room where noise is a problem, using an anti-vibration stand on the base of the unit is recommended.

[Fig. 6.1.2] (P.2)

- Ⓓ Anti-vibration pad etc.
- Ⓔ Concrete base

⚠ Warning:

- **Be sure to install unit in a place strong enough to withstand its weight. Any lack of strength may cause unit to fall down, resulting in a personal injury.**
- **Have installation work in order to protect against earthquake. Any installation deficiency may cause unit to fall down, resulting in a personal injury.**

6.2. Service space

- Please allow for the following service spaces after installation. (All servicing can be performed from the front of the unit)

[Fig. 6.2.1] (P.2)

- Ⓐ Piping space (for side piping)
- Ⓑ Heat source unit
- Ⓒ Service space (front side)
- Ⓓ (Top view)

[Fig. 6.2.2] (P.2)

- Ⓔ Piping space (for top piping)
- Ⓕ Piping space (for side piping)
- Ⓖ Heat source unit
- Ⓖ (Front view)

7. Water pipe installation

- City Multi WY Series pipes are similar to other air-conditioning pipes, however, please observe the following precautions during installation.

7.1. Precautions during installation

- Use the reverse-return method to insure proper pipe resistance to each unit.
- To insure easy maintenance, inspection, and replacement of the unit, use a proper joint, valve, etc. on the water intake and outlet port. In addition, be sure to install a strainer on the water intake pipe. (In order to maintain the heat source unit, a strainer on the circulating water inlet is necessary.)
* An example of the heat source unit installation is shown in the diagram below.
- Install a suitable air vent on the water pipe. After sending water through the pipe, be sure to vent the excess air.
- Compressed water may form in the low-temperature sections of heat source unit. Use a drainage pipe connected to the drain valve at the base of the unit to drain the water.
- There is a water vent plug in the center of the heat exchanger water inlet head at the middle of the unit. Use this for maintenance, etc.
In addition, do not allow any of the unit's electrical parts (such as the solenoid valve coil or compressor power supply) to become wet.
- Install a back flow-prevention valve on the pump and a flexible joint to prevent excess vibration.
- Use a sleeve to protect the pipes where they go through a wall.
- Use metal fittings to secure the pipes, and install them so that they have maximum protection against breakage and bending.
- Do not confuse the water intake and outlet valves.
- This unit doesn't have any heater to prevent freezing within tubes. When the water flow is stopped on low ambient, take out the water from tubes.
- The unused knockout holes should be closed and the opening of refrigerant pipes, water pipes, power source and transmission wires should be filled with putty and so on to prevent from rain. (field construction)

Example of heat source unit installation (using left piping)

[Fig. 7.1.1] (P.2)

- Ⓐ Water circulation pipe
- Ⓑ Close valve
- Ⓒ Close valve
- Ⓓ Water outlet
- Ⓔ Refrigerant piping
- Ⓕ Y-type strainer
- Ⓖ Water inlet
- Ⓖ Drain pipe

7.2. Insulation installation

With City Multi WY Series piping, as long as the temperature range of the circulating water is kept to average temperatures year-round (30 °C [86 °F] in the summer, 20 °C [68 °F] in the winter), there is no need to insulate or otherwise protect indoor piping from exposure. You should use insulation in the following situations:

- Any heat source piping.
- Indoor piping in cold-weather regions where frozen pipes are a problem.
- When air coming from the outside causes condensation to form on piping.
- Any drainage piping.

7.3. Water processing and water quality control

To preserve water quality, use the closed type of cooling tower for WY. When the circulating water quality is poor, the water heat exchanger can develop scales, leading to a reduction in heat-exchange power and possible corrosion of the heat exchanger. Please pay careful attention to water processing and water quality control when installing the water circulation system.

- Removal of foreign objects or impurities within the pipes.
During installation, be careful that foreign objects, such as welding fragments, sealant particles, or rust, do not enter the pipes.
- Water Quality Processing
 - ① Depending on the quality of the cold-temperature water used in the air-conditioner, the copper piping of the heat exchanger may become corroded. We recommend regular water quality processing.
Cold water circulation systems using open heat storage tanks are particularly prone to corrosion.
When using an open-type heat storage tank, install a water-to-water heat exchanger, and use a closed-loop circuit on the air conditioner side. If a water supply tank is installed, keep contact with air to a minimum, and keep the level of dissolved oxygen in the water no higher than 1mg/l.

② Water quality standard

Items	Lower mid-range temperature water system		Tendency	
	Recirculating water [20<T<60°C] [68<T<140°F]	Make-up water	Corrosive	Scale-forming
pH (25°C) [77°F]	7.0 ~ 8.0	7.0 ~ 8.0	○	○
Electric conductivity (mS/m) (25°C) [77°F]	30 or less	30 or less	○	○
(μs/cm) (25°C) [77°F]	[300 or less]	[300 or less]	○	○
Chloride ion (mg Cl/ℓ)	50 or less	50 or less	○	
Sulfate ion (mg SO ₄ ²⁻ /ℓ)	50 or less	50 or less	○	
Acid consumption (pH4.8) (mg CaCO ₃ /ℓ)	50 or less	50 or less		○
Total hardness (mg CaCO ₃ /ℓ)	70 or less	70 or less		○
Calcium hardness (mg CaCO ₃ /ℓ)	50 or less	50 or less		○
Ionic silica (mg SiO ₂ /ℓ)	30 or less	30 or less		○
Iron (mg Fe/ℓ)	1.0 or less	0.3 or less	○	○
Copper (mg Cu/ℓ)	1.0 or less	0.1 or less	○	
Sulfide ion (mg S ²⁻ /ℓ)	not to be detected	not to be detected	○	
Ammonium ion (mg NH ₄ ⁺ /ℓ)	0.3 or less	0.1 or less	○	
Residual chlorine (mg Cl/ℓ)	0.25 or less	0.3 or less	○	
Free carbon dioxide (mg CO ₂ /ℓ)	0.4 or less	4.0 or less	○	
Ryzner stability index	-	-	○	○

Reference : Guideline of Water Quality for Refrigeration and Air Conditioning Equipment. (JRA GL02E-1994)

- ③ Please consult with a water quality control specialist about water quality control methods and water quality calculations before using anti-corrosive solutions for water quality management.
- ④ When replacing a previously installed air conditioning device (even when only the heat exchanger is being replaced), first conduct a water quality analysis and check for possible corrosion. Corrosion can occur in cold-water systems even if there has been no prior signs of corrosion. If the water quality level has dropped, please adjust water quality sufficiently before replacing the unit.

7.4. Pump interlock

The heat source unit may become damaged if it is operated with no water circulating through the pipes.

Be sure to interlock unit operation and the water-circuit pump. Use the terminal blocks for interlocking (TB8-3, 4) that can be found on the unit.

In the case of a pump interlock circuit signal connection to the TB8-3, 4, remove the short-circuit wire. Also, to prevent mistaken error detection, resulting from a poor connection, in the pressure valve 63PW, use a low maintained current of 5mA or less.

[Fig. 7.4.1] (P.2)

- Ⓐ Short-circuit wire (Connected before delivery from manufacturer)
- Ⓑ Pump interlock circuit connection

GB

8. Refrigerant piping installation

Connecting the piping is a terminal-branch type in which refrigerant piping from the heat source unit is branched at the terminal and connected to each of the indoor units.

The method of pipe connection is as follows: flare connection for the indoor units, gas pipes for heat source units, flare connection for P72 and brazed connection for P96 ~ P168; liquid pipes, flare connection. Note that the branched sections are brazed.

⚠ Warning:

Always use extreme care to prevent the refrigerant gas from leaking while using fire or flame. If the refrigerant gas comes in contact with a flame from any source, such as a gas stove, it breaks down and generates a poisonous gas which can cause gas poisoning. Never weld in an unventilated room. Always conduct an inspection for gas leakage after installation of the refrigerant piping has been completed.

8.1. Caution

This unit uses refrigerant R410A. Follow the local regulations on materials and pipe thickness when selecting pipes.

- ① Use the following materials for refrigeration piping.
 - Material: Use refrigerant piping made of phosphorus deoxidized copper. In addition, be sure that the inner and outer surfaces of the pipes are clean and free of hazardous sulphur, oxides, dust/dirt, shaving particles, oils, moisture, or any other contaminant.
- ② Commercially available piping often contains dust and other materials. Always blow it clean with a dry inert gas.
- ③ Use care to prevent dust, water or other contaminants from entering the piping during installation.
- ④ Reduce the number of bending portions as much as possible, and make bending radius as big as possible.
- ⑤ Always observe the restrictions on the refrigerant piping (such as rated length, the difference between high/low pressures, and piping diameter). Failure to do so can result in equipment failure or a decline in heating/cooling performance.
- ⑥ Either a lack or an excess of refrigerant causes the unit to make an emergency stop. Charge the system with an appropriate amount of refrigerant. At such a time, always properly charge the unit. When servicing, always check the notes concerning pipe length and amount of additional refrigerant at both locations, the refrigerant volume calculation table on the back of the service panel and the additional refrigerant section on the labels for the combined number of indoor units.
- ⑦ Use liquid refrigerant to fill the system.
- ⑧ Never use refrigerant to perform an air purge. Always evacuate using a vacuum pump.
- ⑨ Always insulate the piping properly. Insufficient insulation will result in a decline in heating/cooling performance, water drops from condensation and other such problems.
- ⑩ When connecting the refrigerant piping, make sure the ball valve of the heat source unit is completely closed (the factory setting) and do not operate it until the refrigerant piping for the heat source and indoor units has been connected, a refrigerant leakage test has been performed and the evacuation process has been completed.

- ① Residues in commercially available antioxidants may have adverse effects on the equipment. Braze only with non-oxide brazing material. The use of other brazing material may result in compressor damage. (Refer to item 9.2. for detailed information on pipe connections and valve operations.)

- ② Never perform heat source unit piping connection work when it is raining.

⚠ Warning

When installing and moving the unit, do not charge it with refrigerant other than the refrigerant specified on the unit.

- Mixing of a different refrigerant, air, etc. may cause the refrigerant cycle to malfunction and result in severe damage.

⚠ Caution:

- Use a vacuum pump with a reverse flow check valve.
 - If the vacuum pump does not have a reverse flow check valve, the vacuum pump oil may flow back into the refrigerant cycle and cause deterioration of the refrigerator oil and other trouble.
- Do not use the tools shown below used with conventional refrigerant. (Gauge manifold, charge hose, gas leak detector, check valve, refrigerant charge base, vacuum gauge, refrigerant recovery equipment)
 - Mixing of conventional refrigerant and refrigerator oil may cause the refrigerator oil to deteriorate.
 - Mixing of water will cause the refrigerator oil to deteriorate.
 - R410A refrigerant does not contain any chlorine. Therefore, gas leak detectors for conventional refrigerants will not react to it.
- Manage the tools more carefully than normal.
 - If dust, dirt, or water gets in the refrigerant cycle, the refrigerator oil will deteriorate.
- Never use existing refrigerant piping.
 - The large amount of chlorine in conventional refrigerant and refrigerator oil in the existing piping will cause the new refrigerant to deteriorate.
- Store the piping to be used during installation indoors and keep both ends of the piping sealed until just before brazing.
 - If dust, dirt, or water gets into the refrigerant cycle, the oil will deteriorate and the compressor may fail.
- Do not use a charging cylinder.
 - Using a charging cylinder may cause the refrigerant to deteriorate.
- Do not use special detergents for washing piping.

8.2. Refrigerant piping system

Connection Example

[Fig. 8.2.1] (P.3)

- Ⓐ Heat source model
- Ⓑ Liquid pipe
- Ⓒ Gas pipe
- Ⓓ Total capacity of indoor units
- Ⓔ Model number
- Ⓕ Downstream unit model total
- Ⓖ Branch kit model
- Ⓗ 4-Branching header (Downstream unit model total ≤ 200)
- Ⓙ 8-Branching header (Downstream unit model total ≤ 400)
- Ⓚ 10-Branching header (Downstream unit model total ≤ 650)
- ⓐ Heat source unit
- ⓑ First branch
- ⓒ Indoor unit
- ⓓ Cap

9. Additional refrigerant charge

At the time of shipping, the heat source unit is charged with the refrigerant. As this charge does not include the amount needed for extended piping, additional charging for each refrigerant line will be required on site. In order that future servicing may be properly provided, always keep a record of the size and length of each refrigerant line and the amount of additional charge by writing it in the space provided on the heat source unit.

9.1. Calculation of additional refrigerant charge

- Calculate the amount of additional charge based on the length of the piping extension and the size of the refrigerant line.
- Use the table to the below as a guide to calculating the amount of additional charging and charge the system accordingly.
- If the calculation results in a fraction of less than 0.1 kg [4 oz], round up to the next 0.1 kg [4 oz]. For example, if the result of the calculation was 8.48 kg [277.4 oz], round the result up to 8.5 kg [280 oz].

<Additional Charge>

Additional refrigerant charge (kg) [oz]	=	Liquid pipe size Total length of ø12.7 [1/2]	+	Liquid pipe size Total length of ø9.52 [3/8]	+	Liquid pipe size Total length of ø6.35 [1/4]	+	α
		(m) × 0.12 (kg/m) (in) × 1.29 (oz/ft)		(m) × 0.06 (kg/m) (in) × 0.65 (oz/ft)		(m) × 0.024 (kg/m) (in) × 0.26 (oz/ft)		

<Example>

Indoor 1: 24	A: ø9.52 [3/8]	40 m [131 ft]	a: ø9.52 [3/8]	10 m [32 ft]	} At the conditions below:
2: 36	B: ø9.52 [3/8]	10 m [32 ft]	b: ø9.52 [3/8]	5 m [16 ft]	
3: 15	C: ø9.52 [3/8]	15 m [49 ft]	c: ø6.35 [1/4]	10 m [32 ft]	
4: 12	D: ø9.52 [3/8]	10 m [32 ft]	d: ø6.35 [1/4]	10 m [32 ft]	
5: 24			e: ø9.52 [3/8]	10 m [32 ft]	

The total length of each liquid line is as follows:

$$\begin{aligned} \text{ø9.52 [3/8]: } & A + B + C + D + a + b + e = 40 [131] + 10 [32] + 15 [49] + 10 [32] \\ & + 10 [32] + 5 [16] + 10 [32] \\ & = 100 \text{ m [292 ft]} \end{aligned}$$

$$\text{ø6.35 [1/4]: } c + d = 10 [32] + 10 [32] = 20 \text{ m [64 ft]}$$

Therefore,

<Calculation example>

Additional refrigerant charge

$$= 100 [292] \times 0.06 [0.65] + 20 [64] \times 0.024 [0.26] + 2.0 [71] = 8.5 \text{ kg [280 oz]}$$

Value of α

Total capacity of connecting indoor units	α
Models 31 to 60	1.5 kg [53 oz]
Models 61 to 126	2.0 kg [71 oz]

9.2. Precautions concerning piping connection and valve operation

- Conduct piping connection and valve operation accurately.
- Flange type side connecting pipe is assembled in factory before shipment.
 - For brazing to the connecting pipe with flange, remove the connecting pipe with flange from the ball valve, and braze it outside of the unit.
 - During the time when removing the connecting pipe with flange, remove the seal attached on the rear side of this sheet and paste it onto the flange surface of the ball valve to prevent the entry of dust into the valve.
 - The refrigerant circuit is closed with a round, close-packed packing upon shipment to prevent gas leak between flanges. As no operation can be done under this state, be sure to replace the packing with the hollow packing attached at the piping connection.
 - At the mounting of the hollow packing, wipe off dust attached on the flange sheet surface and the packing. Coat refrigerating machine oil (Ester oil, ether oil or alkylbenzene [small amount]) onto both surfaces of the packing.

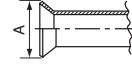
[Fig. 9.2.1] (P.3)

- Ⓐ Close-packed packing
- Ⓔ Hollow packing

- After evacuation and refrigerant charge, ensure that the handle is fully open. If operating with the valve closed, abnormal pressure will be imparted to the high- or low-pressure side of the refrigerant circuit, giving damage to the compressor, four-way valve, etc.
- Determine the amount of additional refrigerant charge by using the formula, and charge refrigerant additionally through the service port after completing piping connection work.
- After completing work, tighten the service port and cap securely not to generate gas leak.

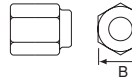
- Flare machining dimension for systems using R410A is larger than that for systems using other types of refrigerant in order to increase the air tightness.
- Refer to the table on the below for flare machining dimensions, and follow the regulations set forth by the local authorities. Seal off the opening of the pipe with a closure material (not supplied) to keep small animals from entering the pipe if that is a concern.

flare machining dimension (mm)



outer diameter	size in inches	dimension A
		R410A
ø6.35	1/4"	9.1
ø9.52	3/8"	13.2
ø12.70	1/2"	16.6
ø15.88	5/8"	19.7
ø19.05	3/4"	24.0

flare nut size (mm)



outer diameter	size in inches	dimension B
		R410A
ø6.35	1/4"	17.0
ø9.52	3/8"	22.0
ø12.70	1/2"	26.0
ø15.88	5/8"	29.0
ø19.05	3/4"	36.0

[Fig. 9.2.2] (P.3)

<A> [Ball valve (Gas side/flanged type)]

 [Ball valve (Liquid side/flanged type)]

<C> This figure shows the valve in the fully open state.

- Ⓐ Valve stem
[Fully closed at the factory, when connecting the piping, when evacuating, and when charging additional refrigerant. Open fully after the operations above are completed.]
- Ⓑ Stopper pin [Prevents the valve stem from turning 90° or more.]
- Ⓒ Packing (Accessory)
[Manufacturer: Nichiasu corporation]
[Type: T#1991-NF]
- Ⓓ Connecting pipe (Accessory)
[Use packing and securely install this pipe to the valve flange so that gas leakage will not occur. (Tightening torque: 40 N·m [400kg·cm]) Coat both surfaces of the packing with refrigerating machine oil. (Ester oil, ether oil or alkylbenzene [small amount])]
- Ⓔ Open (Operate slowly)
- Ⓕ Cap, copper packing
[Remove the cap and operate the valve stem. Always reinstall the cap after operation is completed. (Valve stem cap tightening torque: 23 ~ 27 N·m [230 ~ 270 kg·cm])]
- Ⓖ Service port
[Use this port to evacuate the refrigerant piping and add an additional charge at the site.
Open and close the port using a double-ended wrench.
Always reinstall the cap after operation is completed. (Service port cap tightening torque: 12 ~ 15 N·m [120 ~ 150 kg·cm])]
- Ⓖ Flare nut
[Tightening torque: Refer to the following table.
Loosen and tighten this nut using a double-ended wrench.
Coat the flare contact surface with refrigerating machine oil (Ester oil, ether oil or alkylbenzene [small amount])]
- Ⓘ ø9.52 [3/8] (PQHY-P72)
ø9.52 [3/8] (PQHY-P96)
- Ⓙ ø19.05 [3/4] (PQHY-P72)
ø22.2 [7/8] (PQHY-P96)
- Ⓚ Field piping

Appropriate tightening torque by torque wrench:

Copper pipe external dia. (mm [in])	Tightening torque (N·m / kg·cm)
ø6.35 [1/4]	14 to 18 / 140 to 180
ø9.52 [3/8]	35 to 42 / 350 to 420
ø12.7 [1/2]	50 to 57.5 / 500 to 575
ø15.88 [5/8]	75 to 80 / 750 to 800
ø19.05 [3/4]	100 to 140 / 1000 to 1400

Tightening angle standard:

Pipe diameter (mm [in])	Tightening angle (°)
ø6.35 [1/4], ø9.52 [3/8]	60 to 90
ø12.7 [1/2], ø15.88 [5/8]	30 to 60
ø19.05 [3/4]	20 to 35

[Fig. 9.2.3] (P.3)

Note:

If a torque wrench is not available, use the following method as a standard: When you tighten the flare nut with a wrench, you will reach a point where the tightening torque will abruptly increase. Turn the flare nut beyond this point by the angle shown in the table above.

Caution:

- Always remove the connecting pipe from the ball valve and braze it outside the unit.
 - Brazing the connecting pipe while it is installed will heat the ball valve and cause trouble or gas leakage. The piping, etc. inside the unit may also be burned.
- Use ester oil, ether oil or alkylbenzene (small amount) as the refrigerating machine oil to coat flares and flange connections.
 - The refrigerating machine oil will degrade if it is mixed with a large amount of mineral oil.
- Keep the ball valve closed until refrigerant charging to the pipes to be added on site has been completed. Opening the valve before charging the refrigerant may result in unit damage.
- Do not use a leak detection additive.

9.3. Airtight test, evacuation, and refrigerant charging

① **Airtight test**

Perform with the ball valve of the heat source unit closed, and pressurize the connection piping and the indoor unit from the service port provided on the ball valve of the heat source unit. (Always pressurize from both the Gas pipe and the Liquid pipe service ports.)

[Fig. 9.3.1] (P.4)

- | | | |
|----------------|------------------|--------------------|
| Ⓐ Nitrogen gas | Ⓑ To indoor unit | Ⓒ System analyzer |
| Ⓓ Lo knob | Ⓔ Hi knob | Ⓕ Ball valve |
| Ⓔ Liquid pipe | Ⓖ Gas pipe | Ⓖ Heat source unit |
| Ⓙ Service port | | |

Observe the following restrictions when conducting an air tightness test to prevent negative effects on the refrigerating machine oil. Also, with nonazeotropic refrigerant (R410A), gas leakage causes the composition to change and affects performance. Therefore, perform the airtightness test cautiously.

Airtight test procedure	Restriction
1. Nitrogen gas pressurization (1) After pressurizing to the design pressure (4.15 MPa [601 psi]) using nitrogen gas, allow it to stand for about one day. If the pressure does not drop, airtightness is good. However, if the pressure drops, since the leaking point is unknown, the following bubble test may also be performed. (2) After the pressurization described above, spray the flare connection parts, brazed parts, flanges, and other parts that may leak with a bubbling agent (Kyuboflex, etc.) and visually check for bubbles. (3) After the airtight test, wipe off the bubbling agent.	<ul style="list-style-type: none"> If a flammable gas or air (oxygen) is used as the pressurization gas, it may catch fire or explode.
2. Pressurization using refrigerant gas and nitrogen gas (1) Pressurizing to a gas pressure of approximately 0.2 MPa [29 psi], pressurize to the design pressure (4.15 MPa [601 psi]) using nitrogen gas. However, do not pressurize at one time. Stop during pressurization and check that the pressure does not drop. (2) Check for gas leaks by checking the flare connection parts, brazed parts, flanges, and other parts which may leak using an R410A compatible electric leak detector. (3) This test may be used together with the bubble type gas leak test.	<ul style="list-style-type: none"> Do not use a refrigerant other than that indicated on the unit. Sealing with gas from a cylinder will cause the composition of the refrigerant in the cylinder to change. Use a pressure gauge, charging hose, and other parts especially for R410A. An electric leak detector for R22 cannot detect leaks of R410A. Do not use a haloid torch. (Leaks cannot be detected.)

Caution:

Only use refrigerant R410A.

The use of other refrigerant such as R22 or R407C, which contains chlorine, will deteriorate the refrigerating machine oil or cause the compressor to malfunction.

② **Evacuation**

Evacuate with the ball valve of the heat source unit closed and evacuate both the connection piping and the indoor unit from the service port provided on the ball valve of the heat source unit using a vacuum pump. (Always evacuate from the service port of both the gas pipe and the liquid pipe.) After the vacuum reaches 650 Pa [abs] [0.0943 psi/5 Torr], continue evacuation for at least one hour or more.

* Never perform air purging using refrigerant.

[Fig. 9.3.2] (P.4)

- | | | |
|-------------------|-------------------|--------------------|
| Ⓐ System analyzer | Ⓑ Lo knob | Ⓒ Hi knob |
| Ⓓ Ball valve | Ⓔ Liquid pipe | Ⓕ Gas pipe |
| Ⓔ Service port | Ⓖ Three-way joint | Ⓖ Valve |
| Ⓙ Valve | Ⓚ R410A cylinder | Ⓛ Scale |
| Ⓜ Vacuum pump | Ⓝ To indoor unit | Ⓞ Heat source unit |

Note:

- Always add an appropriate amount of refrigerant. Also always seal the system with liquid refrigerant. Too much or too little refrigerant will cause trouble.
- Use a gauge manifold, charging hose, and other parts for the refrigerant indicated on the unit.
- Use a gravimeter. (One that can measure down to 0.1 kg [4 oz])
- Use a vacuum pump with a reverse flow check valve. (Recommended vacuum gauge: ROBINAIR 14830A Thermistor Vacuum Gauge) Also use a vacuum gauge that reaches 65 Pa [abs] [0.00943 psi/0.5 Torr] or below after operating for five minutes.

③ **Refrigerant Charging**

Since the refrigerant used with the unit is nonazeotropic, it must be charged in the liquid state. Consequently, when charging the unit with refrigerant from a cylinder, if the cylinder does not have a syphon pipe, charge the liquid refrigerant by turning the cylinder upside-down as shown in Fig.9.3.3. If the cylinder has a syphon pipe like that shown in the picture on the right, the liquid refrigerant can be charged with the cylinder standing upright. Therefore, give careful attention to the cylinder specifications. If the unit should be charged with gas refrigerant, replace all the refrigerant with new refrigerant. Do not use the refrigerant remaining in the cylinder.

[Fig. 9.3.3] (P.4)

- | | |
|---------------|--|
| Ⓐ Syphon pipe | Ⓑ In case of the cylinder having no syphon pipe. |
|---------------|--|

9.4. Thermal insulation of refrigerant piping

Be sure to give insulation work to refrigerant piping by covering high press. (liquid) pipe and low press. (gas) pipe separately with enough thickness heat-resistant polyethylene, so that no gap is observed in the joint between indoor unit and insulating material, and insulating materials themselves. When insulation work is insufficient, there is a possibility of condensation drip, etc. Pay special attention to insulation work to ceiling plenum.

[Fig. 9.4.1] (P.4)

- | | |
|------------------------------------|------------------------------|
| Ⓐ Steel wire | Ⓑ Piping |
| Ⓒ Asphaltic oily mastic or asphalt | Ⓓ Heat insulation material A |
| Ⓔ Outer covering B | |

Heat insulation material A	Glass fiber + Steel wire	
	Adhesive + Heat - resistant polyethylene foam + Adhesive tape	
Outer covering B	Indoor	Vinyl tape
	Floor exposed	Water-proof hemp cloth + Bronze asphalt
	Heat source	Water-proof hemp cloth + Zinc plate + Oily paint

Note:

- When using polyethylene cover as covering material, asphalt roofing shall not be required.
- No heat insulation must be provided for electric wires.

[Fig. 9.4.2] (P.4)

- | | | |
|------------------|-------------|-----------------|
| Ⓐ Liquid pipe | Ⓑ Gas pipe | Ⓒ Electric wire |
| Ⓓ Finishing tape | Ⓔ Insulator | |

[Fig. 9.4.3] (P.4)

Penetrations

[Fig. 9.4.4] (P.4)

- | | |
|---|----------------------------|
| <A> Inner wall (concealed) | Outer wall |
| <C> Outer wall (exposed) | <D> Floor (waterproofing) |
| <E> Roof pipe shaft | |
| <F> Penetrating portion on fire limit and boundary wall | |
| Ⓐ Sleeve | Ⓑ Heat insulating material |
| Ⓒ Lagging | Ⓓ Caulking material |
| Ⓔ Band | Ⓕ Waterproofing laye |
| Ⓖ Sleeve with edge | Ⓗ Lagging material |
| ① Mortar or other incombustible caulking | |
| ④ Incombustible heat insulation material | |

When filling a gap with mortar, cover the penetration part with steel plate so that the insulation material will not be caved in. For this part, use incombustible materials for both insulation and covering. (Vinyl covering should not be used.)

- Insulation materials for the pipes to be added on site must meet the following specifications:

	Pipe size	
	ø6.35 ~ 25.4 mm [1/4 to 1 in]	ø28.58 ~ 38.1 mm [1-1/8 to 1-1/2 in]
Thickness	10 mm min. [3/32 in min]	15 mm min. [19/32 in min]
Temperature Resistance	100 °C [212 °F] min.	

- * Installation of pipes in a high-temperature high-humidity environment, such as the top floor of a building, may require the use of insulation materials thicker than the ones specified in the chart above.
- * When certain specifications presented by the client must be met, ensure that they also meet the specifications on the chart above.

10. Wiring

10.1. Caution

- Follow ordinance of your governmental organization for technical standard related to electrical equipment, wiring regulations and guidance of each electric power company.
- Wiring for control (hereinafter referred to as transmission line) shall be (5 cm or more [2 in or more]) apart from power source wiring so that it is not influenced by electric noise from power source wiring. (Do not insert transmission line and power source wire in the same conduit.)
- Be sure to provide designated grounding work to heat source unit.
- Give some allowance to wiring for electrical part box of indoor and heat source units, because the box is sometimes removed at the time of service work.
- Never connect the main power source to terminal block of transmission line. If connected, electrical parts will be burnt out.
- Use 2-core shield cable for transmission line. If transmission lines of different systems are wired with the same multiplex cable, the resultant poor transmitting and receiving will cause erroneous operations.
- Only the transmission line specified should be connected to the terminal block for heat source unit transmission.
(Transmission line to be connected with indoor unit : Terminal block TB3 for transmission line, Other : Terminal block TB7 for centralized control)
Erroneous connection does not allow the system to operate.
- In the case of connecting with an upper class controller or to conduct group operation in different refrigerant systems, the control line for transmission is required between the heat source units.
Connect this control line between the terminal blocks for centralized control. (2-wire line with no polarity)
When conducting group operation in different refrigerant systems without connecting to the upper class controller, replace the insertion of the short circuit connector from CN41 of one heat source unit to CN40.
- Group is set by operating the remote controller.

10.2. Control box and connecting position of wiring

- Connect the indoor unit transmission line to transmission terminal block (TB3), or connect the wiring between heat source units or the wiring with the central control system to the central control terminal block (TB7).
When using shielded wiring, connect shield ground of the indoor unit transmission line to the ground screw (Ⓒ) and connect shield ground of the line between heat source units and the central control system transmission line to the shield (S) terminal of the central control terminal block (TB7) shield (S) terminal. In addition, in the case of heat source units whose power supply connector CN41 has been replaced by CN40, the shield terminal (S) of terminal block (TB7) of the central control system should also be connected to the ground screw (Ⓒ).
Fix the wiring securely in place with the cable strap at the bottom of the terminal block so that the external force if not applied to the terminal block. External force applied to the terminal block may damage the block and short-circuit, ground fault, or fire may result.

[Fig. 10.2.1] (P.4)

- | | |
|----------------|---------------------|
| Ⓐ Power source | Ⓑ Transmission line |
| Ⓒ Ground screw | |

- Conduit mounting plates (ø27 mm [1-3/32 in]) are being provided. Pass the power supply and transmission wires through the appropriate knock-out holes, then remove the knock-out piece from the bottom of the terminal box and connect the wires.

- Fix power source wiring to terminal box by using buffer bushing for tensile force (PG connection or the like).
- Narrow the opening by using a conduit to keep small animals out.

10.3. Wiring transmission cables

① Types of control cables

1. Wiring transmission cables

- Types of transmission cables: Shielding wire CVVS or CPEVS or MVVS
- Cable diameter: More than 1.25 mm² [AWG16]
- Maximum wiring length: Within 200 m [656 ft]
- Maximum length of transmission lines for centralized control and indoor/outdoor transmission lines (Maximum length via indoor units): 500 m [1640 ft] MAX

The maximum length of the wiring between power supply unit for transmission lines (on the transmission lines for centralized control) and each outdoor unit and system controller is 200 m [656 ft].

2. Remote control cables

• M-NET Remote Controller

Kind of remote control cable	Sheathed 2-core cable (unshielded)
Cable diameter	0.3 to 1.25 mm ² [AWG22 to 16] (0.75 to 1.25 mm ² [AWG18 to 16])*
Remarks	When 10 m [32 ft] is exceeded, use cable with the same specifications as 1. Wiring transmission cables.

• MA Remote Controller

Kind of remote control cable	Sheathed 2-core cable (unshielded) CVV
Cable diameter	0.3 to 1.25 mm ² [AWG22 to 16] (0.75 to 1.25 mm ² [AWG18 to 16]))*
Remarks	Within 200 m [656 ft]

- * Connected with simple remote controller.

② Wiring examples

- Controller name, symbol and allowable number of controllers.

Name	Symbol	Allowable number of controllers
Heat source unit controller	OC	
Indoor Unit Controller	IC	One to twenty four controllers for one OC
Remote Controller	RC	Maximum of two per group

Example of a group operation system with multiple heat source units (Shielding wires and address setting are necessary.)

<Examples of transmission cable wiring>

[Fig. 10.3.1] M-NET Remote Controller (P.5)

[Fig. 10.3.2] MA Remote Controller (P.5)

<A> Change the jumper connector from CN41 to CN40.

 SW2-1:ON

<C> Keep the jumper connector on CN41.

Ⓐ Group 1

Ⓑ Group 4

Ⓒ Group 5

Ⓓ Shielded wire

Ⓔ Sub remote controller

() Address

<Wiring Method and Address Settings>

- Always use shielded wire when making connections between the heat source unit (OC) and the indoor unit (IC), as well as for all OC-OC, and IC-IC wiring intervals.
- Use feed wiring to connect terminals M1 and M2 and the earth terminal on the transmission cable terminal block (TB3) of each heat source unit (OC) to terminals M1, M2 and terminal S on the transmission cable block of the indoor unit (IC).
- Connect terminals 1 (M1) and 2 (M2) on the transmission cable terminal block of the indoor unit (IC) that has the most recent address within the same group to the terminal block on the remote controller (RC).
- Connect together terminals M1, M2 and terminal S on the terminal block for central control (TB7) for the heat source unit (OC).
- On one heat source unit only, change the jumper connector on the control panel from CN41 to CN40.
- Connect the terminal S on the terminal block for central control (TB7) for the heat source unit (OC) for the unit into which the jumper connector was inserted into CN40 in Step above to the ground terminal \square in the electrical component box.
- Set the address setting switch as follows.
 - * To set the outdoor unit address to 100, the outdoor address setting switch must be set to 50.

Unit	Range	Setting Method
IC (Main)	01 to 50	Use the most recent address within the same group of indoor units.
IC (Sub)	01 to 50	Use an address, other than that of the IC (Main) from among the units within the same group of indoor units. This must be in sequence with the IC (Main)
Heat source Unit	51 to 100	Use the most recent address of all the indoor units plus 50
M-NET R/C (Main)	101 to 150	Set at an IC (Main) address within the same group plus 100
M-NET R/C (Sub)	151 to 200	Set at an IC (Main) address within the same group plus 150
MA R/C	-	Unnecessary address setting (Necessary main/sub setting)

- The group setting operations among the multiple indoor units is done by the remote controller (RC) after the electrical power has been turned on.

<Permissible Lengths>

① M-NET Remote controller

- Max length via outdoor units: $L_1 + L_2 + L_3 + L_4$ and $L_1 + L_2 + L_3 + L_5$ and $L_1 + L_2 + L_6 \leq 500$ m [1640 ft] (1.25 mm² [AWG16] or more)
- Max transmission cable length: L_1 and $L_3 + L_4$ and $L_3 + L_5$ and L_6 and $L_2 + L_6 \leq 200$ m [656 ft] (1.25 mm² [AWG16] or more)
- Remote controller cable length: $\ell_1, \ell_2, \ell_3, \ell_4 \leq 10$ m [32 ft] (0.3 to 1.25 mm² [AWG22 to 16])
If the length exceeds 10 m [32 ft], use a 1.25 mm² [AWG16] shielded wire. The length of this section (L_3) should be included in the calculation of the maximum length and overall length.

② MA Remote controller

- Max length via outdoor unit (M-NET cable): $L_1 + L_2 + L_3 + L_4$ and $L_1 + L_2 + L_6 \leq 500$ m [1640 ft] (1.25 mm² [AWG16] or more)
- Max transmission cable length (M-NET cable): L_1 and $L_3 + L_4$ and L_6 and $L_2 + L_6 \leq 200$ m [656 ft] (1.25 mm² [AWG16] or more)
- Remote controller cable length: m_1 and $m_1 + m_2 + m_3$ and $m_1 + m_2 + m_3 + m_4 \leq 200$ m [656 ft] (0.3 to 1.25 mm² [AWG22 to 16])

③ Transmission booster

- Max transmission cable length (M-NET cable):
 - ① $L_3 + L_1 + L_2 + L_3 + L_5 + L_6 \leq 200$ m [656 ft] (1.25 mm² [AWG16])
 - ② $L_3 + L_1 + L_2 + L_3 + L_5 + L_7 \leq 200$ m [656 ft] (1.25 mm² [AWG16])
 - ③ $L_3 + L_1 + L_2 + L_4 \leq 200$ m [656 ft] (1.25 mm² [AWG16])
 - ④ $L_6 + L_5 + L_3 + L_4, L_4 + L_3 + L_5 + L_7 \leq 200$ m [656 ft] (1.25 mm² [AWG16])
- Remote controller cable length: $\ell_1, \ell_2 \leq 10$ m [32 ft] (0.3 to 1.25 mm² [AWG22 to 16])
If the length exceeds 10 m [32 ft], use 1.25 mm² [AWG16] shielded cable and calculate the length of that portion (L_4 and L_7) as within the total extended length and the longest remote length.

10.4. Wiring of main power supply and equipment capacity

Schematic Drawing of Wiring (Example)

[Fig. 10.4.1] (P.5)

- Ⓐ Switch (breakers for wiring and current leakage) Ⓑ Breakers for current leakage Ⓒ Heat source unit
 Ⓓ Pull box Ⓔ Indoor unit

Thickness of wire for main power supply, On/Off capacities and system impedance

		Minimum wire thickness (mm ² /AWG)			Switch (A)		Breaker for wiring (NFB)	Breaker for current leakage
		Main cable	Branch	Ground	Capacity	Fuse		
Heat source unit	P72	5.3/10	—	5.3/10	30	30	30	30 A 100 mA 0.1sec. or less
	P96	8.4/8	—	8.4/8	40	40	40	40 A 100 mA 0.1sec. or less
BC controller, indoor unit		0.41/22	0.41/22	0.41/22	15	15	15	20 A 30 mA 0.1sec. or less

1. Use a separate power supply for the heat source unit and indoor unit.
2. Bear in mind ambient conditions (ambient temperature, direct sunlight, rain water, etc.) when proceeding with the wiring and connections.
3. The wire size is the minimum value for metal conduit wiring. The power cord size should be 1 rank thicker consideration of voltage drops. Make sure the power-supply voltage does not drop more than 10 %.
4. Specific wiring requirements should adhere to the wiring regulations of the region.
5. Power supply cords of parts of appliances for heat source use shall not be lighter than polychloroprene sheathed flexible cord (design 245 IEC57). For example, use wiring such as YZW.
6. A switch with at least 3.5 mm [0.14 in] contact separation in each pole shall be provided by the Air conditioner installation.

⚠ Warning:

- Be sure to use specified wires to connect so that no external force is imparted to terminal connections. If connections are not fixed firmly, it may cause heating or fire.
- Be sure to use the appropriate type of overcurrent protection switch. Note that generated overcurrent may include some amount of direct current.

⚠ Caution:

- A breaker for current leakage must be attached to the power supply. If no earth leakage breaker is installed, it may cause an electric shock.
- Do not use anything other than breaker and fuse with correct capacity. Using fuse and wire or copper wire with too large capacity may cause a malfunction of unit or fire.

11. Test run

11.1. The following phenomena do not represent trouble (emergency)

Phenomenon	Display of remote controller	Cause
Indoor unit does not perform cooling (heating) operation.	“Cooling (heating)” flashes	When another indoor unit is performing the heating (cooling) operation, the cooling (heating) operation is not performed.
The auto vane runs freely.	Normal display	Because of the control operation of auto vane, it may change over to horizontal blow automatically from the downward blow in cooling in case the downward blow operation has been continued for 1 hour. At defrosting in heating, hot adjusting and thermostat OFF, it automatically changes over to horizontal blow.
Fan setting changes during heating.	Normal display	Ultra-low speed operation is commenced at thermostat OFF. Light air automatically changes over to set value by time or piping temperature at thermostat ON.
Fan stops during heating operation.	Defrost display	The fan is to stop during defrosting.
Fan does not stop while operation has been stopped.	No lighting	Fan is to run for 1 minute after stopping to exhaust residual heat (only in heating).
No setting of fan while start SW has been turned on.	Heat ready	Ultra low-speed operation for 5 minutes after SW ON or until piping temperature becomes 35 °C [95 °F], low speed operation for 2 minutes thereafter, and then set notch is commenced. (Hot adjust control)
Indoor unit remote controller shows “HO” or “PLEASE WAIT” indicator for about five minutes when turning ON universal power supply.	“HO” or “PLEASE WAIT” flashes	System is being driven. Operate remote controller again after “HO” or “PLEASE WAIT” disappear.
Drain pump does not stop while unit has been stopped.	Light out	After a stop of cooling operation, unit continues to operate drain pump for three minutes and then stops it.
Drain pump continues to operate while unit has been stopped.		Unit continues to operate drain pump if drainage is generated, even during a stop.

12. Information on rating plate

Model	P72	P96
Refrigerant (R410A)	7.0 kg [15 LBS 7 oz]	8.0 kg [17 LBS 11 oz]
Allowable pressure (Ps)	HP: 4.15 MPa [601 psi], LP: 2.21 MPa [320 psi]	
Net weight	266 kg [588 LBS]	269 kg [594 LBS]
MANUFACTURER: MITSUBISHI ELECTRIC CORPORATION AIR-CONDITIONING & REFRIGERATION SYSTEMS WORKS 5-66, TEBIRA, 6-CHOME, WAKAYAMA CITY, JAPAN		

Table des matières

1. Consignes de sécurité	15	8. Installation des tuyaux de réfrigérant	18
1.1. Avant l'installation de l'appareil et l'installation électrique	15	8.1. Précaution	19
1.2. Précautions à prendre avec les dispositifs utilisant le réfrigérant R410A	16	8.2. Système de mise en place des tuyaux de réfrigérant	19
1.3. Avant de procéder à l'installation	16	9. Charge supplémentaire de réfrigérant	19
1.4. Avant de procéder à l'installation électrique	16	9.1. Calcul de la charge supplémentaire de réfrigérant	19
1.5. Avant d'effectuer l'essai	16	9.2. Précautions à prendre lors du raccordement des tuyaux/du fonctionnement de la valve	20
2. Le produit	17	9.3. Test d'étanchéité à l'air, évacuation et mise en place du réfrigérant	20
3. Association aux appareils intérieurs	17	9.4. Isolation thermique des tuyaux de réfrigérant	21
4. Vérification des pièces livrées	17	10. Câblage	22
5. Comment soulever l'appareil	17	10.1. Précaution	22
6. Installation de l'appareil et espace de service	17	10.2. Boîtier de commande et emplacement pour le raccordement des câbles	22
6.1. Installation	17	10.3. Mise en place des câbles de transmission	22
6.2. Espace de service	17	10.4. Câblage de l'alimentation principale et capacité des équipements	23
7. Installation du tuyau d'eau	17	11. Essai de fonctionnement	24
7.1. Précautions à prendre pendant l'installation	17	11.1. Les phénomènes suivants ne constituent pas des problèmes (urgence)	24
7.2. Mise en place de l'isolation	18	12. Informations sur la plaque signalétique	24
7.3. Traitement de l'eau et contrôle de la qualité de l'eau	18		
7.4. Engrenage des pompes	18		

1. Consignes de sécurité

1.1. Avant l'installation de l'appareil et l'installation électrique





- ▶ Avant d'installer le climatiseur, lire attentivement toutes les "Consignes de sécurité".
- ▶ Les "Consignes de sécurité" reprennent des points très importants concernant la sécurité. Veuillez bien à les suivre.

Symboles utilisés dans le texte


 **Avertissement:**
Précautions à suivre pour éviter tout danger de blessure ou de décès de l'utilisateur.

 **Précaution:**
Précautions à suivre pour éviter tout endommagement de l'appareil.

Symboles utilisés dans les illustrations

-  : Indique une action qui doit être évitée.
-  : Indique des instructions importantes à suivre.
-  : Indique un élément à mettre à la terre.
-  : Danger d'électrocution. (Ce symbole se trouve sur l'étiquette de l'appareil principal.) <Couleur: jaune>

-  **Avertissement:**
Lisez soigneusement les étiquettes se trouvant sur l'appareil principal.

-  **Avertissement:**
 - **Demandez à votre revendeur ou à un technicien agréé d'installer le climatiseur.**
 - En cas de mauvaise installation, il y aurait un risque de fuite d'eau, d'électrocution ou d'incendie.
 - **Installer l'appareil dans un endroit capable de supporter son poids.**
 - Autrement l'appareil risque de tomber et de blesser quelqu'un.
 - **Utilisez les câbles mentionnés pour les raccordements. Assurez-vous que les connexions soient effectués correctement de façon à ce que la force externe du câble ne s'applique pas aux bornes.**
 - Un mauvais raccordement pourrait provoquer une surchauffe, voire un incendie.
 - **Lors de l'installation de l'appareil à l'emplacement spécifié, prenez en compte les facteurs naturels tels que la pluie, l'humidité et ou les tremblements de terre.**
 - L'appareil pourrait tomber et par conséquent blesser quelqu'un si l'installation n'est pas effectuée correctement.
 - **Toujours utiliser un filtre et les autres accessoires spécifiés par Mitsubishi Electric.**
 - Demandez à un technicien agréé d'installer les accessoires. Une mauvaise installation par l'utilisateur pourrait provoquer des fuites d'eau, électrocution ou un incendie.
 - **Ne réparez jamais vous-même l'appareil. En cas de réparation nécessaire, veuillez consulter le revendeur.**
 - Toute mauvaise réparation pourrait résulter en des fuites d'eau, chocs électriques ou incendies.

- **En cas de fuite de gaz durant l'installation, aérez la pièce.**
 - Si le gaz réfrigérant entre en contact avec une flamme, il y aura un risque de gaz toxiques.
- **Installez le climatiseur en respectant les instructions du manuel d'installation.**
 - En cas d'installation incorrecte, il y aura un risque de fuites d'eau, d'électrocution ou d'incendie.
- **Demandez à un électricien qualifié d'effectuer l'installation électrique conformément aux "Normes concernant les installations électriques" et les "Réglementations sur le câblage intérieur" ainsi que les instructions de ce manuel; utilisez toujours un circuit différent.**
 - Si la capacité de la source d'alimentation n'est pas adéquate ou si l'installation électrique n'est pas effectuée correctement, il y aura un risque d'électrocution ou d'incendie.
- **Mettez fermement en place le couvercle des bornes de l'appareil extérieur (panneau).**
 - Si le couvercle des bornes (panneau) n'est pas mis en place correctement, il se peut que de la poussière ou de l'eau s'infilte dans l'appareil extérieur et par conséquent il y aura un risque d'incendie ou d'électrocution.
- **Lors du déplacement et de l'installation du climatiseur à un endroit différent, ne le remplissez pas d'un réfrigérant différent, utilisez le réfrigérant (R410A) spécifié sur l'appareil.**
 - Lorsqu'un réfrigérant différent est mélangé au réfrigérant d'origine, il se peut que le cycle du réfrigérant ne fonctionne pas correctement et que l'appareil soit endommagé.
- **Si le climatiseur est installé dans une pièce relativement petite, certaines mesures doivent être prises pour éviter que la concentration de réfrigérant ne dépasse le seuil de sécurité en tenant compte des possibilités de fuites de réfrigérant.**
 - Consultez votre revendeur sur les précautions nécessaires à prendre afin que la limite admissible ne soit pas dépassée. Si le réfrigérant fuit et que la limite admissible est dépassée, il pourrait se produire des accidents suite au manque d'oxygène dans la pièce.
- **Veuillez consulter votre revendeur ou un technicien agréé lors du déplacement et de l'installation du climatiseur dans un différent endroit.**
 - Une mauvaise installation du climatiseur pourrait résulter en fuites d'eau, électrocution ou un incendie.
- **L'installation terminée, assurez-vous qu'il n'y a aucune fuite de gaz.**
 - Si le gaz réfrigérant fuit et entre en contact avec un radiateur soufflant, un poêle, un four ou toute autre source de chaleur, il se peut que des gaz toxiques soient relâchés.
- **Ne réarrangez pas et ne changez pas les réglages des dispositifs de sécurité.**
 - Si l'interrupteur de pression, l'interrupteur thermique ou tout autre dispositif de sécurité sont court-circuités ou utilisés avec trop de force, ou si toutes autres pièces que celles spécifiées par Mitsubishi Electric sont utilisées, il y aura un risque d'incendie ou d'explosion.
- **Pour vous débarrasser de ce produit, consultez votre concessionnaire.**
- **Le technicien-installateur prendra toutes les précautions nécessaires pour éviter toutes fuites conformément aux réglementations ou normes locales.**
 - Les normes suivantes sont parfois applicables s'il n'existe aucune réglementation locale.
- **Faites particulièrement attention à l'endroit d'installation, par exemple un sous-sol, etc. où le gaz réfrigérant peut s'accumuler, étant donné que le réfrigérant est plus lourd que l'air.**

1.2. Précautions à prendre avec les dispositifs utilisant le réfrigérant R410A

⚠ Précaution:

- **N'utilisez pas les tuyaux de réfrigérant actuels.**
 - Le vieux réfrigérant et l'huile réfrigérante se trouvant dans les tuyaux contiennent une large quantité de chlore qui pourrait abîmer l'huile réfrigérante du nouvel appareil.
 - Le R410A est un réfrigérant à haute pression qui peut provoquer l'éclatement des tuyaux existants.
- **Utilisez des tuyaux de réfrigérant en cuivre désoxydé au phosphore et des tuyaux et gaines en alliage de cuivre sans soudures. Veillez également à ce que les surfaces internes et externes des tuyaux soient propres et sans soufre, oxyde, poussière/impuretés, rognures, huile, condensation ou autre particule contaminante.**
 - Tout contaminant à l'intérieur des tuyaux de réfrigérant pourrait provoquer la détérioration de l'huile réfrigérante résiduelle.
- **Gardez les tuyaux à l'intérieur de l'immeuble et gardez les deux extrémités du tuyau couvertes jusqu'à ce que vous soyez prêt à les braser. (Gardez les joints articulés et autres joints dans des sacs en plastique.)**
 - Si de la poussière, de la saleté ou de l'eau s'infiltré dans le cycle du réfrigérant, le réfrigérant risque de se détériorer et le compresseur risque de ne pas fonctionner correctement.
- **Appliquez une petite quantité d'huile ester, ether ou alkylbenzène sur les évaselements et les connexions à brides.**
 - L'huile réfrigérante se détériorera lorsque mélangée à une grande quantité d'huile minérale.
- **Utilisez un réfrigérant liquide pour remplir le système.**
 - Si l'on utilise du gaz réfrigérant pour rendre le système hermétique, la composition du réfrigérant se trouvant dans le cylindre changera et il se peut que la performance ne soit plus aussi bonne.
- **Utilisez uniquement du réfrigérant R410A.**
 - Si un autre réfrigérant (R22, etc.) est mélangé au R410A, le chlore dans le réfrigérant peut provoquer la détérioration de l'huile du climatiseur.
- **Utilisez une pompe à vide équipée d'une valve de contrôle de flux inverse.**
 - Il se peut que l'huile de la pompe à vide reparte dans le cycle du réfrigérant ce qui entraînerait la détérioration de l'huile réfrigérante.
- **N'utilisez pas les outils énumérés ci-dessous, destinés aux réfrigérants traditionnels.**
(Jauge collectrice, tuyau de charge, détecteur de fuite de gaz, valve de contrôle de flux inverse, base de remplissage du réfrigérant, équipements de récupération de réfrigérant).
 - Si l'on mélange un réfrigérant courant à l'huile réfrigérante dans le R410A, il se peut que le réfrigérant se détériore.
 - Si de l'eau se mélange au R410A, il se peut que l'huile réfrigérante se détériore.
 - Etant donné que le R410A ne contient pas de chlore, les détecteurs de fuite de gaz conçus pour les réfrigérants traditionnels ne réagiront pas en cas de fuite du R410A.
- **N'utilisez pas de cylindre de charge.**
 - Autrement le réfrigérant pourrait se détériorer.
- **Faites particulièrement attention lors de l'utilisation des outils.**
 - Si de la poussière, de la saleté ou de l'eau s'infiltré dans le cycle du réfrigérant, il se peut que le réfrigérant se détériore.

1.3. Avant de procéder à l'installation

⚠ Précaution:

- **N'installez pas l'appareil dans un endroit sujet aux fuites de gaz inflammables.**
 - S'il y a une fuite de gaz et que le gaz s'accumule autour de l'appareil, il y aura des risques d'explosion.
- **N'utilisez pas le climatiseur près d'animaux ou de plantes ou près d'instruments, d'instruments de précision ou d'objets d'art.**
 - La qualité d'aliments etc. pourrait en souffrir.
- **N'utilisez pas le climatiseur dans certains environnements.**
 - L'huile, la vapeur, la fumée sulfurique, etc. peuvent considérablement réduire la performance du climatiseur ou en endommager les pièces.
- **Lors de l'installation de l'appareil dans un hôpital, une station de communications ou tout endroit similaire, veillez à ce qu'il soit correctement protégé contre le bruit.**
 - Les équipements onduleurs, générateurs privés, équipements médicaux à haute fréquence ou de communication radiophonique peuvent empêcher le climatiseur de fonctionner ou de fonctionner proprement. De plus, il se peut que le climatiseur ait un effet nuisible sur ce genre d'équipements en faisant du bruit qui générerait les traitements médicaux ou l'envoi d'images.
- **N'installez pas l'appareil sur une structure qui pourrait causer des fuites.**
 - Lorsque l'humidité de la pièce dépasse 80 % ou lorsque le tuyau d'écoulement est bouché, il se peut que des gouttes d'eau tombent de l'appareil intérieur. Veillez à fournir une voie d'écoulement pour l'appareil intérieur et l'appareil extérieur si nécessaire.

1.4. Avant de procéder à l'installation électrique

⚠ Avertissement:

Lors de l'installation ou du déplacement de l'appareil, veillez à ce qu'aucune substance autre que le réfrigérant spécifié (R410A) ne pénètre dans le circuit de réfrigérant.

⚠ Précaution:

- **Mettez l'appareil à la terre.**
 - Ne branchez pas le fil de mise à la terre à un tuyau de gaz ou d'eau, un paratonnerre ou câble téléphonique de terre. Une mauvaise mise à la terre peut provoquer des risques d'électrocution.
- **L'inversion de phase des lignes L (L1, L2, L3) peut être détectée (code d'erreur: 4103), mais l'inversion de phase des lignes L et de la ligne N ne peut être détectée.**
 - La mise sous tension de l'appareil alors que le câblage est défectueux risque d'endommager certains composants électriques.
- **Installez le câble d'alimentation de façon à ce qu'il ne soit pas tendu.**
 - Autrement le fil pourrait se rompre, engendrant un surchauffage et par conséquent des risques d'incendie.
- **Installez un disjoncteur, comme spécifié.**
 - Sans disjoncteur, il y aura risque d'électrocution.
- **Utilisez des câbles d'alimentation dont la capacité à distribuer le courant et la valeur nominale sont adéquates.**
 - Si les câbles sont trop petits, il est possible qu'il y ait des fuites, entraînant un surchauffage qui en retour pourrait causer un incendie.
- **Utilisez uniquement un disjoncteur et un fusible de la valeur indiquée.**
 - Si un fusible ou disjoncteur de plus grande valeur ou un fil en acier ou en cuivre est utilisé, il se peut que l'appareil ne fonctionne pas ou qu'il y ait un risque d'incendie.
- **Ne lavez pas les différents éléments du climatiseur.**
 - Autrement il y aurait un risque de choc électrique.
- **Assurez-vous que la base d'installation ne soit pas abîmée à cause d'un usage prolongé.**
 - Si l'endommagement n'est pas réparé, l'appareil pourrait tomber et par conséquent blesser quelqu'un ou abîmer le mobilier ou d'autres biens.
- **Installez les tuyaux d'écoulement conformément aux instructions du manuel d'installation afin d'assurer que l'écoulement se fait correctement. Enveloppez les tuyaux de matériaux isolants afin d'empêcher la formation de condensation.**
 - Si les tuyaux d'écoulement ne sont pas installés correctement, il se peut qu'il y ait des fuites d'eau et par conséquent des dégâts au mobilier ou à d'autres biens.
- **Faites attention pendant le transport de l'appareil.**
 - Cet appareil doit être porté par au moins deux personnes s'il pèse plus de vingt kilos [45 LBS].
 - Certains appareils sont emballés à l'aide de courroies PP. N'utilisez pas de courroies PP pour le transport de l'appareil, car cela est dangereux.
 - Lorsque vous transportez l'unité source de chaleur, soutenez-la à des endroits spécifiques sur la base de l'appareil. Vous pouvez également la soutenir en quatre points de sorte à la stabiliser.
- **Jetiez les emballages dans un endroit où ils ne présenteront aucun risque pour quiconque.**
 - Il est possible de se blesser sur les matériaux utilisés pour l'emballage, par exemple les clous ou autres pièces métalliques ou en bois.
 - Déchirez et jetez les sacs d'emballage en plastique de façon à ce qu'ils soient hors de la portée des enfants pour éviter tout risque de suffocation.

1.5. Avant d'effectuer l'essai

⚠ Précaution:

- **Mettez l'appareil sous tension au moins 12 heures avant de le faire fonctionner.**
 - La mise en marche de l'appareil immédiatement après sa mise sous tension pourrait provoquer de sérieux dégâts aux éléments internes. Ne mettez pas l'appareil hors tension pendant la saison de fonctionnement.
- **Ne touchez pas les interrupteurs avec les doigts mouillés.**
 - Vous risqueriez d'être électrocuté.
- **Ne touchez pas les tuyaux de réfrigérant pendant ou immédiatement après le fonctionnement.**
 - Les tuyaux sont parfois chauds ou froids pendant ou immédiatement après le fonctionnement de l'appareil, selon la condition du réfrigérant coulant dans les tuyaux de réfrigérant, le compresseur et les autres parties du cycle du réfrigérant. En les touchant vous risqueriez de brûler ou geler les mains.
- **Ne faites pas fonctionner le climatiseur lorsque les panneaux et dispositifs de sécurité ont été enlevés.**
 - Les éléments tournants, chauds ou sous haute tension peuvent en effet être dangereux et vous risqueriez de vous blesser.
- **Ne mettez pas l'appareil immédiatement hors tension après son fonctionnement.**
 - Attendez au moins cinq minutes avant de le mettre hors tension. Autrement, il y aura un risque de fuite d'eau ou de mauvais fonctionnement.
- **Ne touchez pas la surface du compresseur pendant les interventions techniques.**
 - Si l'appareil est raccordé au secteur sans fonctionner, le chauffage du carter est toujours sous tension au niveau du compresseur.

2. Le produit

- Cet appareil utilise le réfrigérant R410A
- La tuyauterie des systèmes utilisant le R410A peut être différente de celle des systèmes utilisant un réfrigérant ordinaire car leur pressurisation est plus élevée. Pour plus d'informations, se reporter au Livre de données.
- Certains outils et équipements permettant l'installation des systèmes utilisant d'autres types de réfrigérants ne peuvent pas servir pour les systèmes utilisant le R410A. Pour plus d'informations, se reporter au Livre de données.
- Ne pas utiliser la tuyauterie existante car elle contient du chlore, substance contenue dans l'huile et le réfrigérant des machines réfrigérantes traditionnelles. Le chlore pourrait détériorer l'huile de la machine réfrigérante dans le nouvel équipement. La tuyauterie existante ne doit pas être utilisée car la pressurisation des systèmes utilisant le R410A est supérieure à celle des systèmes utilisant d'autres types de réfrigérants et les tuyaux risqueraient d'éclater.

3. Association aux appareils intérieurs

Modèle	PQHY-P72TGMU-A	PQHY-P96TGMU-A
Niveau sonore	46 dB <A>	47 dB <A>
Poids net	266 kg [588 LBS]	269 kg [594 LBS]
Pression permise	HP: 4,15 MPa [601 psi], LP: 2,21 MPa [320 psi]	
Réfrigérant	R410A: 7,0 kg [15 LBS 7 oz]	R410A: 8,0 kg [17 LBS 11 oz]
Appareils intérieurs	Capacité totale	50 ~ 130 %
	Modèle / Quantité	P06 ~ P96 / 1 ~ 13
Température d'exploitation	Température de l'eau: 10°C ~ 45°C [50°F ~ 113°F]	
Pression d'eau maximale	1,0 MPa [145 psi]	
Volume d'eau nominal	4,56 m³/h [1204 G/h]	5,76 m³/h [1521 G/h]
Volume d'eau permis	3,9 ~ 6,8 m³/h [1030 ~ 1795 G/h]	4,5 ~ 7,2 m³/h [1181 ~ 1901 G/h]

4. Vérification des pièces livrées

- ① Raccord × 1 (Le raccord est fixé à l'appareil.) ② Emballage (intérieur ø23 [29/32 in], extérieur ø35 [1-13/32 in]) × 1
- ③ Manchon × 2

5. Comment soulever l'appareil

[Fig. 5.0.1] (P.2)

⚠ Précaution:

Faire preuve d'une grande prudence lors du transport de l'appareil.

- Portez l'appareil par au moins 2 personnes si celui-ci pèse plus de 20 kg [46 LBS].
- Les courroies PP servent à emballer certains éléments. Ne les utilisez pas pour transporter l'appareil, car elles peuvent se révéler dangereuses.
- Déchirez l'emballage plastique et jetez-le pour éviter que des enfants ne jouent avec car ils pourraient s'étouffer.
- Lors du transport de l'unité source de chaleur, veillez à la soutenir en quatre points. Si vous ne la soutenez qu'en 3 points, elle risque d'être instable et de tomber.

6. Installation de l'appareil et espace de service

6.1. Installation

- Utiliser les orifices d'ancrage indiqués ci-dessous pour boulonner fermement l'appareil à son socle.

[Fig. 6.1.1] (P.2)

- Ⓐ Source de chaleur Ⓑ 4-ø14 [9/16] (orifices d'ancrage)
- Ⓒ (Vue du dessus)

Socles et précautions à prendre contre les vibrations

- Toujours installer l'appareil dans un endroit suffisamment robuste que pour en supporter le poids. Si la base est instable, la renforcer avec un socle en béton.
- Ancrer l'appareil sur une surface à niveau. Utiliser un niveau pour vérifier l'horizontalité de l'installation.
- Placer des coussinets anti-vibrations sous la base de l'appareil.
- Si l'appareil est installé à proximité d'une pièce pour laquelle le bruit pourrait représenter un problème, il est conseillé de monter une base anti-vibrations sur le socle de support de l'appareil.

[Fig. 6.1.2] (P.2)

- Ⓓ Coussinet anti-vibrations, etc. Ⓔ Socle en béton

⚠ Avertissement:

- **Installez toujours l'appareil dans un endroit pouvant supporter son poids. Dans le cas contraire, l'appareil pourrait tomber et par conséquent blesser quelqu'un.**
- **Effectuez les travaux nécessaires afin d'assurer une protection de l'appareil contre les tremblements de terre. Toute installation défectueuse risquerait de causer la chute de l'appareil et par conséquent de blesser quelqu'un.**

6.2. Espace de service

- Prévoir les espaces suivants pour les interventions techniques après l'installation de l'appareil. (Toutes les interventions techniques peuvent se faire à partir de la face avant de l'appareil)

[Fig. 6.2.1] (P.2)

- Ⓐ Espace pour la tuyauterie (en cas de mise en place des tuyaux par le côté)
- Ⓑ Source de chaleur Ⓒ Espace de service (face avant)
- Ⓓ (Vue du dessus)

[Fig. 6.2.2] (P.2)

- Ⓔ Espace pour la tuyauterie (en cas de mise en place des tuyaux par le haut)
- Ⓕ Espace pour la tuyauterie (en cas de mise en place des tuyaux par le côté)
- Ⓖ Source de chaleur Ⓗ (Vue de face)

7. Installation du tuyau d'eau

- Les tuyaux des climatiseurs de la série City Multi WY sont semblables à ceux d'autres climatiseurs. Il convient cependant de prendre les précautions suivantes lors de leur installation.

7.1. Précautions à prendre pendant l'installation

- Utiliser la méthode de retour inverse pour assurer une résistance adéquate des tuyaux de chaque appareil.

- Pour faciliter l'entretien, les vérifications et le remplacement de l'appareil, utiliser un joint, une soupape, etc. adaptés aux orifices d'arrivée et d'évacuation de l'eau. En outre, toujours installer un épurateur sur le tuyau d'arrivée d'eau. (Pour préserver la source de chaleur, il est nécessaire d'installer un épurateur à l'arrivée de l'eau devant circuler dans l'appareil.)
* Le diagramme ci-dessous donne un exemple d'installation de la source de chaleur.
- Installer une ventilation adéquate sur le tuyau d'eau. Après l'envoi d'eau dans le tuyau, toujours veiller à évacuer l'excédent d'air.
- De l'eau comprimée peut se former dans les sections à basse température de la source de chaleur. Utiliser un tuyau d'écoulement raccordé à la soupape de drainage du bas de l'appareil pour évacuer l'eau.

- Il y a un orifice prévu pour le drainage de l'eau au centre de la tête d'arrivée d'eau de l'échangeur de chaleur, au milieu de l'appareil. Vous pouvez l'utiliser lors de l'entretien de l'appareil, etc.
En outre, ne jamais mouiller aucun des éléments électriques de l'appareil (comme la bobine de la vanne solénoïdale ou l'alimentation du compresseur).
- Installer une soupape anti-reflux sur la pompe ainsi qu'un joint souple pour éviter des vibrations excessives.
- Utiliser un manchon pour protéger les tuyaux à leur endroit de pénétration dans les murs.
- Utiliser des fixations métalliques pour fixer les tuyaux et les installer de sorte à assurer une protection maximum contre les ruptures et les fuites.
- Ne pas confondre les soupapes d'arrivée d'eau et d'évacuation.
- Cet appareil ne comprend pas d'élément de chauffage empêchant l'eau de geler. Lorsque l'eau ne s'écoule plus à cause d'une température ambiante trop basse, videz les tubes de l'eau.
- Les orifices à dégager non utilisés doivent être tenus fermés. L'ouverture des tuyaux de réfrigérant, des tuyaux d'eau, des câbles de la source d'alimentation et de transmission doivent être remplis de mastic ou autre matière similaire afin que la pluie ne puisse pénétrer le dispositif (construction en plein air).

Exemple d'installation de la source de chaleur (lors de la mise en place des tuyaux par la gauche)

[Fig. 7.1.1] (P.2)

- | | |
|---------------------------------|-----------------------|
| Ⓐ Tuyau de circulation de l'eau | ⓑ Vanne d'arrêt |
| ⓒ Vanne d'arrêt | ⓓ Evacuation de l'eau |
| Ⓔ Tuyaux de réfrigérant | Ⓕ Vanne de type en Y |
| Ⓖ Arrivée d'eau | Ⓖ Tuyau de drainage |

7.2. Mise en place de l'isolation

Avec la tuyauterie des climatiseurs de la série City Multi WY, tant que la plage de température de l'eau en circulation est maintenue à une température moyenne annuelle (30°C [86 °F] en été, 20°C [68 °F] en hiver), il n'est pas nécessaire d'isoler ou de protéger les tuyaux de toute autre manière. Vous devez seulement les isoler dans les cas suivants :

- Tuyauterie à l'extérieur.
- Tuyauteries intérieures dans des régions froides où les tuyaux gelés constituent un problème.
- Lorsque l'air venant de l'extérieur provoque la formation de condensation sur la tuyauterie.
- Tuyaux d'écoulement.

7.3. Traitement de l'eau et contrôle de la qualité de l'eau

Pour préserver la qualité de l'eau, utiliser le type de tour de refroidissement fermée pour le WY. Lorsque la qualité de l'eau du circuit est mauvaise, l'échangeur de chaleur à eau peut s'entartrer, ce qui diminue sa puissance et peut conduire à sa corrosion. Toujours prendre le plus grand soin au traitement de l'eau et au contrôle de la qualité de celle-ci lors de l'installation du système avec circulation d'eau.

- Retirer tous les corps étrangers et les impuretés de la tuyauterie.
Pendant l'installation, évitez la pénétration de corps étrangers, comme des débris de soudure, des particules de joints ou de rouille dans les tuyaux.
- Traitement de la qualité de l'eau
 - ① En fonction de la qualité de l'eau froide utilisée dans le climatiseur, les tuyauteries en cuivre de l'échangeur de chaleur peuvent rouiller. Nous conseillons d'effectuer régulièrement un contrôle de la qualité de l'eau.
Les systèmes à circulation d'eau froide utilisant des réservoirs de stockage de chaleur sont particulièrement sujets à la corrosion.
Si vous utilisez un réservoir de stockage de chaleur, installez un échangeur de chaleur à eau et utilisez un circuit à boucle fermée sur le côté du climatiseur. Si un réservoir d'alimentation en eau est installé, mettez-le le moins possible en contact avec l'air et vérifiez que le niveau d'oxygène dissous de l'eau ne dépasse pas 1 mg/ℓ.

8. Installation des tuyaux de réfrigérant

La connexion à la tuyauterie est effectuée au moyen d'un système d'embranchement final dans lequel la tuyauterie de réfrigérant de l'unité source de chaleur est branchée au raccordement et connectée à chaque appareil intérieur. La méthode de connexion des tuyaux est la suivante: connexion évasée pour les appareils intérieurs, tuyaux de gaz pour les unités source de chaleur, connexion évasée pour P72 et connexion par brasage pour P96 - P168; tuyaux de liquide, connexion évasée. Bien noter que les sections à embranchement sont brasées.

② Norme de qualité de l'eau

Eléments	Circuit d'eau à température moyenne inférieure		Tendance	
	Eau de recirculation [20<T<60°C] [68<T<140°F]	Eau d'appoint	Corrosive	Incostante
pH (25°C) [77°F]	7,0 ~ 8,0	7,0 ~ 8,0	○	○
Conductivité électrique (mS/m) (25°C) [77°F] (μs/cm) (25°C) [77°F]	30 ou moins [300 ou moins]	30 ou moins [300 ou moins]	○	○
Ions de chlore (mg Cl/ℓ)	50 ou moins	50 ou moins	○	
Ions de sulfate (mg SO ₄ ²⁻ /ℓ)	50 ou moins	50 ou moins	○	
Consommation acide (pH4,8) (mg CaCO ₃ /ℓ)	50 ou moins	50 ou moins		○
Dureté totale (mg CaCO ₃ /ℓ)	70 ou moins	70 ou moins		○
Dureté calcique (mg CaCO ₃ /ℓ)	50 ou moins	50 ou moins		○
Silice ionique (mg SiO ₂ /ℓ)	30 ou moins	30 ou moins		○
Fer (mg Fe/ℓ)	1,0 ou moins	0,3 ou moins	○	○
Cuivre (mg Cu/ℓ)	1,0 ou moins	0,1 ou moins	○	
Ions de soufre (mg S ²⁻ /ℓ)	doivent être indétectables	doivent être indétectables	○	
Ions d'ammonium (mg NH ₄ ⁺ /ℓ)	0,3 ou moins	0,1 ou moins	○	
Chlore résiduel (mg Cl/ℓ)	0,25 ou moins	0,3 ou moins	○	
Gaz carbonique à l'état libre (mg CO ₂ /ℓ)	0,4 ou moins	4,0 ou moins	○	
Indice de stabilité Ryzner	-	-	○	○

Référence : Guideline of Water Quality for Refrigeration and Air Conditioning Equipment (Directive relative à la qualité de l'eau pour le matériel de réfrigération et de climatisation). (JRA GL02E-1994)

- ③ Contacter un spécialiste du contrôle de la qualité des eaux pour en savoir plus sur les méthodes de contrôle et les calculs de dureté avant d'utiliser des solutions anti-corrosives pour la gestion de la qualité de l'eau.
- ④ Lors du remplacement d'un climatiseur installé auparavant (même lorsque seul l'échangeur de chaleur est remplacé), effectuer une analyse de la qualité de l'eau et vérifier s'il n'y a pas de corrosion.
La corrosion peut se produire dans des systèmes à eau froide sans qu'il y ait eu de signes précurseurs.
Si le niveau de la qualité de l'eau chute, régler correctement la qualité de l'eau avant de remplacer l'appareil.

7.4. Engrenage des pompes

La source de chaleur risque de s'abîmer si elle fonctionne sans circulation d'eau dans les tuyaux.

Toujours enclencher simultanément le fonctionnement de l'appareil et celui de la pompe du circuit d'eau. Utiliser les blocs terminaux pour l'enclenchement (TB8-3, 4) que vous trouverez sur l'appareil. Pour la connexion d'un signal de circuit d'enclenchement de pompe au TB8-3, 4, retirer le fil en court-circuit. Aussi, pour éviter toute fausse détection d'erreur due à une connexion défectueuse, au niveau de la soupape de pression 63PW, utiliser un faible courant maintenu à 5mA ou inférieur.

[Fig. 7.4.1] (P.2)

- Ⓐ Fil en court-circuit (Raccordé par le fabricant avant la livraison)
- Ⓑ Connexion du circuit d'enclenchement de la pompe

⚠ Avertissement:

Faites toujours très attention que le gaz réfrigérant ne s'échappe pas pendant l'utilisation de feu ou de flammes. Si le gaz réfrigérant entrait en contact avec une flamme, quelle qu'en soit la source, par exemple une gazinière, il se désagrègerait et générerait des gaz toxiques susceptibles de provoquer un empoisonnement au gaz. Ne soudez jamais dans une pièce non aérée. Vérifiez toujours qu'il n'y a pas de fuite de gaz après l'installation des tuyaux de réfrigérant.

8.1. Précaution

Cet appareil utilise le réfrigérant R410A. Lors de la sélection des tuyaux, respecter les réglementations locales concernant les équipements et l'épaisseur des tuyaux.

- ① Utilisez les matériaux suivants pour les tuyaux de réfrigérant.
 - Matériel: Utilisez des tuyaux de réfrigérant en cuivre désoxydé au phosphore. Veillez également à ce que les surfaces internes et externes des tuyaux soient propres et sans soufre, oxyde, poussières, impuretés, rognures, huile, condensation ou autres particules contaminantes.
- ② Les tuyaux disponibles dans le commerce contiennent souvent de la poussière et autres éléments. Toujours les nettoyer en y insufflant un gaz sec et inerte.
- ③ Prenez les précautions nécessaires pour éviter que la poussière, l'eau ou tout autre élément contaminant s'infiltrent dans les tuyaux durant l'installation.
- ④ Réduisez le nombre de coudes autant que possible, et coudez les tuyaux selon un rayon aussi large que possible.
- ⑤ Veuillez toujours respecter les restrictions concernant les tuyaux de réfrigérant (par exemple la longueur nominale, la différence haute/basse pression, et le diamètre des tuyaux). Autrement l'équipement tombera en panne ou les modes de chauffage/de refroidissement ne fonctionneront plus correctement.
- ⑥ Un manque ou un excès de réfrigérant entraîne l'arrêt d'urgence de l'appareil. Dans ce cas, veuillez toujours remplir correctement l'appareil. Lors de travaux d'entretien, respectez-vous toujours les remarques concernant la longueur des tuyaux et la quantité de réfrigérant supplémentaire nécessaire aux deux emplacements, les informations du tableau de calcul du volume de réfrigérant situé au dos du panneau de service et la section concernant la quantité supplémentaire de réfrigérant indiquée sur les étiquettes pour le nombre combiné d'appareils intérieurs.
- ⑦ **Utilisez un réfrigérant liquide pour remplir le système.**
- ⑧ N'utilisez jamais de réfrigérant pour purger l'air. Purgez-le toujours à l'aide d'une pompe à vide.
- ⑨ Isolez toujours les tuyaux correctement. Une isolation insuffisante risque en effet d'entraîner une diminution de la performance des modes de chauffage/refroidissement, la formation de gouttes de condensation et autres problèmes similaires.
- ⑩ Lors du raccordement des tuyaux de réfrigérant, veillez à ce que la vanne à bille de l'unité source de chaleur soit complètement fermée (réglage d'usine). Avant de faire fonctionner la vanne, vous devez raccorder le tuyau de réfrigérant correspondant à l'unité source de chaleur et aux appareils intérieurs, effectuer un test afin de détecter les fuites éventuelles et terminer le processus d'évacuation.
- ⑪ Les antioxydants disponibles dans le commerce contiennent des résidus qui peuvent endommager les équipements. Braser uniquement avec du matériel de brasage non oxydé. L'utilisation d'un autre matériel de brasage peut endommager le compresseur. (Pour des informations détaillées sur le raccordement des tuyaux et l'utilisation des vannes, se référer au chapitre 9.2.)
- ⑫ **Ne raccordez jamais les tuyaux de l'unité source de chaleur lorsqu'il pleut.**

⚠ Avertissement:

Lors de l'installation ou du déplacement de l'appareil, ne le remplissez pas d'un autre réfrigérant que le réfrigérant indiqué sur l'appareil.

- En cas d'addition d'un autre réfrigérant, d'air ou de toute autre substance, il y aura une malfonction du cycle de réfrigération, ce qui risque de provoquer des dégâts.

⚠ Précaution:

- **Utilisez une pompe à vide équipée d'une valve de contrôle de flux inverse.**
 - Si la pompe à vide n'est pas équipée d'un tel dispositif, il se peut que l'huile de la pompe à vide reparte dans le cycle de réfrigérant et par conséquent entraîne la détérioration de l'huile réfrigérante et provoque des dégâts.
- **N'utilisez pas les outils indiqués ci-dessous, destinés aux réfrigérants traditionnels.**
(Jauge collectrice, tuyau flexible de remplissage, détecteur de fuites de gaz, valve de contrôle, base de remplissage de réfrigérant, jauge à vide, équipements de récupération de réfrigérant)
 - Il se peut que l'huile réfrigérante se détériore à la suite du mélange d'un réfrigérant traditionnel à l'huile réfrigérante.
 - Il se peut que l'huile se détériore si de l'eau y est mélangée.
 - Le réfrigérant R410A ne contient pas de chlore. Par conséquent, les détecteurs de fuites de gaz conçus pour les réfrigérants traditionnels ne peuvent pas le détecter.
- **Faites très attention lors de l'utilisation d'outils.**
 - L'huile réfrigérante se détériorera si de la poussière, des impuretés ou de l'eau s'infiltrent dans le cycle réfrigérant.
- **N'utilisez jamais les tuyaux de réfrigérant déjà en place.**
 - La quantité importante de chlore contenue dans les réfrigérants traditionnels et l'huile réfrigérante des tuyaux actuels provoquera la détérioration du nouveau réfrigérant.
- **Gardez les tuyaux d'installation dans l'immeuble et laissez les deux extrémités des tuyaux couvertes jusqu'au moment du brasage.**
 - L'huile se détériorera et il est possible que le compresseur tombe en panne si de la poussière, des impuretés ou de l'eau s'infiltrent dans le cycle réfrigérant.
- **N'utilisez pas de cylindre de charge.**
 - Autrement le réfrigérant pourrait se détériorer.
- **Ne pas utiliser de détergeants spéciaux pour le nettoyage des tuyaux.**



8.2. Système de mise en place des tuyaux de réfrigérant

Exemples de raccordements

[Fig. 8.2.1] (P.3)

A	Modèle source de chaleur	B	Tuyau de liquide
C	Tuyau de gaz	D	Capacité totale des appareils intérieurs
E	Numéro du modèle	F	Total du modèle d'appareil aval
G	Modèle de kit d'embranchement		
H	Collecteur à 4 embranchements (Total du modèle d'appareil aval ≤ 200)		
I	Collecteur à 8 embranchements (Total du modèle d'appareil aval ≤ 400)		
J	Collecteur à 10 embranchements (Total du modèle d'appareil aval ≤ 650)		
A	Unité source de chaleur	B	Premier embranchement
C	Appareil intérieur	D	Capuchon

9. Charge supplémentaire de réfrigérant

L'appareil extérieur contient le réfrigérant à la livraison. Etant donné que cette charge ne comprend pas la quantité nécessaire pour des longs tuyaux, une charge supplémentaire pour chaque ligne de réfrigérant devra être ajoutée sur place. Afin de pouvoir effectuer correctement les interventions techniques par la suite, toujours noter la taille et la longueur de chaque tuyau de réfrigérant ainsi que la quantité de charge supplémentaire ajoutée dans l'espace prévu à cet effet sur l'unité source de chaleur.

9.1. Calcul de la charge supplémentaire de réfrigérant

- Calculer la quantité de la charge supplémentaire en se basant sur la longueur d'extension et la taille des tuyaux de réfrigérant.
- Utiliser le tableau ci-après pour calculer la charge supplémentaire, puis charger le système en conséquence.
- Si le calcul donne une fraction inférieure à 0,1 kg [4 oz], arrondissez au 0,1 kg [4 oz] suivant. Par exemple, si le résultat du calcul est 8,48 kg [277,4 oz], arrondissez à 8,5 kg [280 oz].

<Charge supplémentaire>

Charge supplémentaire de réfrigérant (kg) [oz]	=	Longueur totale et taille du tuyau de liquide ø12,7 [1/2] (m) × 0,12 (kg/m) (in) × 1,29 (oz/ft)	+	Longueur totale et taille du tuyau de liquide ø9,52 [3/8] (m) × 0,06 (kg/m) (in) × 0,65 (oz/ft)	+	Longueur totale et taille du tuyau de liquide ø6,35 [1/4] (m) × 0,024 (kg/m) (in) × 0,26 (oz/ft)	+	α
--	---	---	---	---	---	--	---	---

<Exemple>

Intérieur 1: 24	A: ø9,52 [3/8]	40 m [131 ft]	a: ø9,52 [3/8]	10 m [32 ft]	} Dans les conditions ci-dessous:
2: 36	B: ø9,52 [3/8]	10 m [32 ft]	b: ø9,52 [3/8]	5 m [16 ft]	
3: 15	C: ø9,52 [3/8]	15 m [49 ft]	c: ø6,35 [1/4]	10 m [32 ft]	
4: 12	D: ø9,52 [3/8]	10 m [32 ft]	d: ø6,35 [1/4]	10 m [32 ft]	
5: 24			e: ø9,52 [3/8]	10 m [32 ft]	

La longueur totale de chaque tuyau de liquide est la suivante:

$$\begin{aligned} \text{ø9,52 [3/8]: } A + B + C + D + a + b + e &= 40 [131] + 10 [32] + 15 [49] + 10 [32] \\ &+ 10 [32] + 5 [16] + 10 [32] \\ &= 100 \text{ m [292 ft]} \end{aligned}$$

$$\text{ø6,35 [1/4]: } c + d = 10 [32] + 10 [32] = 20 \text{ m [64 ft]}$$

Dès lors,

<Exemple de calcul>

Charge de réfrigérant supplémentaire

$$= 100 [292] \times 0,06 [0,65] + 20 [64] \times 0,024 [0,26] + 2,0 [71] = 8,5 \text{ kg [280 oz]}$$

Valeur de α

Capacité totale des appareils intérieurs raccordés	α
Modèles 31 à 60	1,5 kg [53 oz]
Modèles 61 à 126	2,0 kg [71 oz]

9.2. Précautions à prendre lors du raccordement des tuyaux/du fonctionnement de la valve

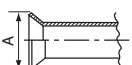
- Raccorder correctement les conduits et vérifier le bon fonctionnement des vannes.
- Le tuyau de connexion côté gaz est assemblé à l'usine avant la livraison.
 - Pour le brasage du tuyau de connexion à collerette, retirer le tuyau de connexion avec la collerette de la valve à bille et le braser à l'extérieur de l'appareil.
 - Lors du retrait de la connexion avec collerette, retirez le joint d'étanchéité attaché au dos de cette feuille et collez-le sur la surface de la collerette de la valve à bille pour empêcher la poussière d'entrer dans la valve.
 - À la sortie d'usine, le circuit de réfrigérant est obturé par une garniture d'étanchéité compacte et ronde pour éviter les fuites de gaz entre les collerettes. Etant donné qu'il n'est pas possible d'utiliser l'appareil dans cet état, remplacer la garniture par la garniture creuse fixée à la connexion des tuyaux.
 - Avant de mettre en place la garniture creuse, essuyez les poussières déposées sur la surface de la collerette et de la garniture. Mettez de l'huile (Huile ester, ether ou alkybenzène [petite quantité]) pour machines sur les deux surfaces de la garniture.

[Fig. 9.2.1] (P.3)

- Ⓐ Garniture pleine
- Ⓑ Garniture creuse

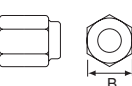
- Après l'évacuation et le remplissage de réfrigérant, assurez-vous que la manette est complètement ouverte. Si le système est utilisé alors que la valve est fermée, une pression anormale sera transmise au côté de haute ou de basse pression du circuit du réfrigérant, ce qui pourrait endommager le compresseur, la soupape à quatre voies, etc.
- Déterminez la quantité supplémentaire de réfrigérant à l'aide de la formule et ajoutez du réfrigérant supplémentaire par l'ouverture de service lorsque les travaux de raccordement des tuyaux sont terminés.
- Les travaux terminés, fermez correctement l'ouverture de service et serrez le capuchon pour éviter toute fuite de gaz.
- L'évasement est plus important pour les systèmes utilisant le R410A que pour les systèmes utilisant d'autres types de réfrigérants, et ce afin d'augmenter l'étanchéité à l'air.
- Se référer au tableau ci-après pour les dimensions d'évasement et respecter les réglementations fixées par les autorités locales. Colmater l'ouverture du tuyau avec un matériel de colmatage (non fourni) pour empêcher les petits animaux d'y pénétrer, le cas échéant.

dimension de l'évasement (mm)



diamètre extérieur	taille en pouces	dimension A	
		R410A	
ø6,35	1/4"	9,1	
ø9,52	3/8"	13,2	
ø12,70	1/2"	16,6	
ø15,88	5/8"	19,7	
ø19,05	3/4"	24,0	

taille de l'écrou évasé (mm)



diamètre extérieur	taille en pouces	dimension B	
		R410A	
ø6,35	1/4"	17,0	
ø9,52	3/8"	22,0	
ø12,70	1/2"	26,0	
ø15,88	5/8"	29,0	
ø19,05	3/4"	36,0	

[Fig. 9.2.2] (P.3)

- <A> [Soupape à bille (Côté gaz/raccordement à brides)]
- [Soupape à bille (Côté liquide/raccordement évasé)]
- <C> Cette figure montre la soupape complètement ouverte.

- Ⓐ Tige de la valve
[Entièrement fermée à la sortie d'usine, lors du raccordement des tuyaux, de l'écoulement et du remplissage du réfrigérant supplémentaire. Entièrement ouverte lorsque les travaux mentionnés ci-avant sont terminés.]
- Ⓑ Clavette d'arrêt [Empêche la tige de la valve de tourner de plus de 90°]
- Ⓒ Garniture (Accessoire)
[Fabricant: Nichiasu corporation]
[Type: T#1991-NF]
- Ⓓ Raccord (Accessoire)
[Utilisez la garniture et attachez fermement ce tuyau à la bride de la valve pour empêcher toute fuite de gaz. (Force de torsion : 40 N·m [400 kg·cm]) Appliquez une couche d'huile pour appareil réfrigérant sur les deux surfaces de la garniture. (huile d'ester, huile d'éther ou alkybenzène [petite quantité])]
- Ⓔ Ouvert (Lentement)
- Ⓕ Capuchon
[Enlevez le capuchon et faites fonctionner la tige de la valve. Veuillez toujours remettre en place le capuchon après cette action. (Force de torsion du capuchon de la tige de la valve: 23 ~ 27 N·m [230 ~ 270 kg·cm])]

- Ⓖ Ouverture de service
[Pour l'écoulement et le remplissage du réfrigérant supplémentaire sur place. Ouvrez et fermez l'ouverture de service à l'aide d'une clé à double fonction. Veuillez toujours remettre en place le capuchon une fois l'opération terminée. (Force de torsion du capuchon de l'ouverture de service: 12 ~ 15 N·m [120 ~ 150 kg·cm])]
- Ⓗ Ecou évasé
[Force de torsion: Se reporter au tableau suivant. Serrez et desserrez cet écrou à l'aide d'une clé à double fonction. Appliquez de l'huile réfrigérante sur la surface de contact de l'évasement. (huile d'ester, huile d'éther ou alkybenzène [petite quantité])]
- ① ø9,52 [3/8] (PQHY-P72)
ø9,52 [3/8] (PQHY-P96)
- ② ø19,05 [3/4] (PQHY-P72)
ø22,2 [7/8] (PQHY-P96)
- Ⓚ Tuyaux extérieurs

Force de torsion appropriée avec clé dynamométrique:

Diamètre extérieur du tuyau en cuivre (mm [in])	Force de torsion (N·m/kg·cm)
ø6,35 [1/4]	14 à 18 / 140 à 180
ø9,52 [3/8]	35 à 42 / 350 à 420
ø12,7 [1/2]	50 à 57,5 / 500 à 575
ø15,88 [5/8]	75 à 80 / 750 à 800
ø19,05 [3/4]	100 à 140 / 1000 à 1400

Angles de serrage:

Diamètre du tuyau (mm [in])	Angle de torsion (°)
ø6,35 [1/4], ø9,52 [3/8]	60 à 90
ø12,7 [1/2], ø15,88 [5/8]	30 à 60
ø19,05 [3/4]	20 à 35

[Fig. 9.2.3] (P.3)

Remarque:

Si vous n'avez pas de clé dynamométrique à votre disposition, utilisez la méthode suivante:

Lorsque vous serrez un écrou évasé à l'aide d'une clé, à un certain moment la force de torsion augmentera soudainement. Continuez de serrer l'écrou évasé du nombre de degrés indiqués dans le tableau ci-dessus.

⚠ Précaution:

- Veuillez toujours enlever le raccord de la valve à bille et brasez-le à l'extérieur de l'appareil.**
 - Si le raccord est brasé alors qu'il est toujours connecté, il se peut que la valve à bille se chauffe et par conséquent il y aura des risques de fuites de gaz ou autres problèmes. De plus, les tuyaux, etc., à l'intérieur de l'appareil pourraient brûler.
- Utilisez de l'huile d'ester, de l'huile d'éther ou de l'alkylbenzène (petite quantité) comme huile d'appareil réfrigérant, pour enduire les évasements et les connexions à brides.**
 - Si elle est mélangée avec une grande quantité d'huile minérale, l'huile d'appareil réfrigérant se dégradera.
- Maintenez la soupape à bille fermée jusqu'à ce que la charge de réfrigérant dans les tuyaux à ajouter sur site soit terminée. L'ouverture de la soupape avant la charge du réfrigérant peut endommager l'appareil.**
- Ne pas utiliser de liquide de détection de fuite.**

9.3. Test d'étanchéité à l'air, évacuation et mise en place du réfrigérant

① Test d'étanchéité à l'air

Effectuez le test avec la vanne à bille de l'unité source de chaleur fermée et pressurisez les tuyaux de connexion ainsi que l'appareil intérieur à partir de l'orifice de service situé sur la vanne à bille de l'unité source de chaleur. (Toujours pressuriser à partir de l'orifice de service du tuyau de gaz et du tuyau de liquide.)

[Fig. 9.3.1] (P.4)

- Ⓐ Azote
- Ⓑ Vers l'appareil intérieur
- Ⓒ Analyseur de système
- Ⓓ Bouton bas
- Ⓔ Bouton haut
- Ⓕ Valve à bille
- Ⓖ Tuyau de liquide
- Ⓗ Tuyau de gaz
- Ⓖ Appareil extérieur
- Ⓖ Ouverture de service

Lors de la réalisation d'un test d'étanchéité à l'air, respecter les instructions suivantes pour éviter la détérioration de l'huile réfrigérante. De même, avec le réfrigérant non azéotropique (R410A, etc.), des fuites de gaz pourraient altérer la composition et affecter le rendement. Il est dès lors important d'effectuer soigneusement les tests d'étanchéité.

Procédure pour le test d'étanchéité à l'air	Restriction
<p>1. Pressurisation à l'azote</p> <p>(1) Après avoir effectué la pressurisation au niveau prévu (4,15 MPa [601 psi]) avec de l'azote, ne pas utiliser l'appareil pendant environ un jour. Si la pression ne diminue pas, l'étanchéité à l'air est satisfaisante.</p> <p>Toutefois, si la pression diminue, effectuez une détection de "bulles" afin de localiser la fuite.</p> <p>(2) Après avoir effectué la pressurisation décrite ci-dessus, vaporisez un agent de barbotage (Kyuboflex, etc.) sur les connexions évasées, les pièces brasées, les brides et autres pièces susceptibles de fuir et voyez si des bulles apparaissent.</p> <p>(3) Le test d'étanchéité à l'air terminé, enlevez l'agent de barbotage.</p>	<ul style="list-style-type: none"> Les gaz inflammables et l'air (l'oxygène) peuvent s'enflammer ou exploser; ne les utilisez donc pas pour effectuer la pressurisation.
<p>2. Pressurisation avec un gaz réfrigérant et de l'azote.</p> <p>(1) Pressurisation à une pression gazeuse d'environ 0,2 MPa [29 psi]. Pressuriser à la pression d'origine (4,15 MPa [601 psi]) à l'aide d'azote à l'état gazeux.</p> <p>Toutefois, n'effectuez pas toute la pressurisation d'un seul coup. Arrêtez pendant la pressurisation et vérifiez que la pression ne diminue pas.</p> <p>(2) Vérifiez que les connexions évasées, les pièces brasées, les brides et autres pièces ne laissent pas échapper de gaz en utilisant un détecteur de fuite électrique compatible avec le R410A.</p> <p>(3) Ce test peut être utilisé en même temps que le test de détection de fuites du type "barbotage".</p>	<ul style="list-style-type: none"> Utilisez uniquement le réfrigérant indiqué sur l'appareil. Lorsqu'un gaz provenant d'un cylindre est utilisé pour effectuer l'étanchéité, celui-ci changera la composition du réfrigérant se trouvant dans le cylindre. Utiliser un manomètre, un tuyau de remplissage, et autres éléments spécialement conçus pour le R410A. Un détecteur électrique de fuites pour R22 ne peut pas détecter les fuites de R410A. Ne pas utiliser de torche haloïde. (Ne peut détecter les fuites.)

⚠ Prcaution:

Utiliser uniquement le réfrigérant R410A.

- L'utilisation d'autres réfrigérants tels que le R22 ou le R407C, qui contiennent du chlore, endommage l'huile réfrigérante ou engendre un dysfonctionnement du compresseur.

② Ecoulement

Effectuez l'évacuation avec la vanne à bille de l'unité source de chaleur fermée et évacuez la tuyauterie de connexion et l'appareil intérieur à partir de l'orifice de service situé sur la vanne à bille de l'unité source de chaleur en utilisant une pompe à vide. (Toujours évacuer à partir de l'orifice de service du tuyau de gaz et du tuyau de liquide.) Lorsque le vide atteint les 650 Pa [abs] [0,0943 psi/5 Torr], continuez l'écoulement pendant au moins une heure.

* Ne purgez jamais l'air à l'aide d'un réfrigérant.

[Fig. 9.3.2] (P.4)

- | | | |
|------------------------|-----------------------------|----------------|
| Ⓐ Analyseur de système | Ⓑ Bouton Bas | Ⓒ Bouton Haut |
| Ⓓ Valve à bille | Ⓔ Tuyau de liquide | Ⓕ Tuyau de gaz |
| Ⓔ Ouverture de service | Ⓕ Joint à trois voies | Ⓖ Valve |
| Ⓖ Valve | Ⓗ Cylindre R410A | Ⓘ Balance |
| Ⓜ Pompe à vide | Ⓝ Vers l'appareil intérieur | |
| Ⓞ Appareil extérieur | | |

Remarque:

- Ajoutez toujours la quantité de réfrigérant adéquate. Etanchez toujours le système en utilisant du réfrigérant liquide. Trop ou trop peu de réfrigérant causera des problèmes.
- Utilisez la jauge collectrice, le tuyau flexible de remplissage et autres pièces indiqués sur l'appareil.
- Utilisez un gravimètre. (D'une précision de 0,1 kg [4 oz])
- Utilisez une pompe à vide équipée d'une valve de contrôle de flux inverse. (Jauge à vide recommandée: jauge à vide Thermistor ROBINAIR 14830A) Utiliser également une jauge à vide pouvant atteindre 65 Pa [abs] [0,00943 psi/0,5 Torr] maximum après cinq minutes d'utilisation.

③ Ajout du réfrigérant

Etant donné que le réfrigérant utilisé dans cet appareil est nonazéotropique, il doit être dans un état liquide lorsqu'il est ajouté. Par conséquent, lorsque vous chargez l'appareil de réfrigérant à l'aide d'un cylindre, si celui-ci n'est pas équipé d'un tuyau de purge, chargez le réfrigérant liquide en retournant le cylindre, comme indiqué à la Fig. 9.3.3. Si le cylindre est doté d'un tuyau de purge comme le montre l'illustration de droite, le réfrigérant liquide peut être chargé tout en gardant le cylindre dans sa position verticale. Par conséquent, tenez bien compte des spécifications du cylindre. S'il s'avérait nécessaire de mettre du gaz réfrigérant dans l'appareil, remplacez tout le réfrigérant avec le nouveau réfrigérant. N'utilisez pas le reste du réfrigérant se trouvant dans le cylindre.

[Fig. 9.3.3] (P.4)

- | | |
|----------------|---------------------------------------|
| Ⓐ Tuyau siphon | Ⓑ Cas d'un cylindre sans tuyau siphon |
|----------------|---------------------------------------|

9.4. Isolation thermique des tuyaux de réfrigérant

Veillez à bien isoler les tuyaux de réfrigérant en recouvrant les tuyaux (liquide) à haute pression et les tuyaux (gaz) à basse pression séparément avec du polyéthylène thermique suffisamment épais, de façon à ce qu'il n'y ait aucun écartement au niveau du joint entre l'appareil intérieur et le matériau isolant et entre les différents matériaux isolants. Une isolation insuffisante risque de provoquer des gouttes de condensation, etc. Faites particulièrement attention à l'isolation de l'entièreté du plafond.

[Fig. 9.4.1] (P.4)

- | | |
|--|-----------------------|
| Ⓐ Fil d'acier | Ⓑ Tuyaux |
| Ⓒ Mastic huileux à base d'asphalte ou asphalte | |
| Ⓓ Isolant thermique A | Ⓔ Couche extérieure B |

Isolant thermique A	Fibre de verre + Fil d'acier	
	Adhésif + Mousse polyéthylène thermique + Ruban adhésif	
Couche extérieure B	Intérieur	Ruban vinyle
	Sol exposé	Chanvre étanche + Asphalte en bronze
	Source de chaleur	Chanvre étanche + Plaque de zinc + Peinture à l'huile

Remarque:

- Lors de l'utilisation d'un revêtement en polyéthylène, une couverture d'asphalte n'est pas nécessaire.
- Ne pas envelopper les fils électriques d'isolation thermique.

[Fig. 9.4.2] (P.4)

- | | | |
|---------------------|----------------|------------------|
| Ⓐ Tuyau de liquide | Ⓑ Tuyau de gaz | Ⓒ Fil électrique |
| Ⓓ Bande de finition | Ⓔ Isolant | |

[Fig. 9.4.3] (P.4)

Pénétrations

[Fig. 9.4.4] (P.4)

- | | | |
|--|----------------------------|-----------------------|
| <A> Mur interne (caché) | Mur externe | |
| <C> Mur externe (exposé) | <D> Sol (Etanchéification) | |
| <E> Cheminée des tuyaux du toit | | |
| <F> Partie pénétrant dans le coupe-feu et le mur limite | | |
| Ⓐ Manchon | Ⓑ Isolant thermique | Ⓒ Calorifuge |
| Ⓓ Matériau de calfeutrage | Ⓔ Bande | |
| Ⓕ Matériau hydrofuge | Ⓖ Manchon avec bord | Ⓗ Matériau calorifuge |
| Ⓖ Mortier ou autre matériau de calfeutrage non combustible | | |
| Ⓖ Matériau thermique non combustible | | |

Lors du remplissage d'un espace avec du mortier, recouvrez la partie encastrée d'une plaque d'acier de sorte que l'isolant ne s'effondre pas. Pour cette partie, utilisez des matériaux ignifuges pour l'isolation et le revêtement. (Ne pas utiliser de revêtement en vinyle.)

- Les matériaux d'isolation pour les tuyaux à ajouter sur site doivent répondre aux spécifications suivantes :

	Taille du tuyau	
	ø6,35 à 25,4 mm [1/4 à 1 in]	ø28,58 à 38,1 mm [1-1/8 à 1-1/2 in]
Epaisseur	10 mm min [13/32 in min]	15 mm min [19/32 in min]
Résistance thermique	100 °C [212 °F] min	

- L'installation de tuyaux dans un environnement très chaud et très humide, tels que le dernier étage d'un immeuble, peut requérir l'utilisation de matériaux d'isolation plus épais que ceux indiqués dans le tableau ci-dessous.
- Lorsque certaines spécifications indiquées par le client doivent être respectées, s'assurer qu'elles correspondent également à celles figurant dans le tableau ci-dessous.

10. Câblage

10.1. Précaution

- ① Respecter les réglementations gouvernementales pour les normes techniques concernant les installations électriques et le câblage et suivre les conseils de la compagnie d'électricité concernée.
- ② Les câbles de commandes (ci-après dénommé la ligne de transmission) seront éloignés (de 5 cm ou plus [de 2 in ou plus]) des câbles de la source d'alimentation de sorte à ne pas être influencé par les interférences de l'alimentation. (Ne jamais introduire la ligne de transmission et les câbles d'alimentation dans la même gaine.)
- ③ Effectuez toujours les travaux adéquats de mise à la terre à l'unité source de chaleur.
- ④ Laissez une longueur de câble suffisante dans le boîtier des éléments électriques des appareils intérieurs et de l'unité source de chaleur car le boîtier doit parfois être retiré pour les interventions techniques.
- ⑤ Ne jamais raccorder la source d'alimentation principale au bloc terminal de la ligne de transmission car cela brûlerait les composants électriques.
- ⑥ Utiliser un câble blindé à deux fils comme ligne de transmission. Si les lignes de transmission des différents systèmes devaient être reliées par le même câble à fils multiples, la transmission et la réception seraient mauvaises ce qui conduirait à un fonctionnement erroné des appareils.
- ⑦ Seule la ligne de transmission indiquée doit être raccordée au bloc de terminaux pour la transmission de l'unité source de chaleur.
(Ligne de transmission à raccorder à l'appareil intérieur: Bloc terminal TB3 pour la ligne de transmission, Autres: Bloc terminal TB7 pour une commande centralisée)
Une mauvaise connexion empêchera le fonctionnement du système.
- ⑧ En cas de raccordement avec le contrôleur de classe supérieure ou de fonctionnement groupé de plusieurs systèmes de réfrigérant, la ligne de contrôle de transmission est nécessaire entre chacune des unités source de chaleur. (Ligne à deux câbles non polarisés.)
En cas de fonctionnement groupé de plusieurs systèmes de réfrigérant sans passer par le contrôleur de classe supérieure, déplacez le cavalier du connecteur de court-circuit de CN41 à CN40.
- ⑨ La définition du groupe se fait par le biais de la commande à distance.

10.2. Boîtier de commande et emplacement pour le raccordement des câbles

1. Raccordement avec une télécommande simple.
Raccordez la ligne de transmission de l'appareil intérieur au bloc de terminaux (TB3), ou bien raccordez le câblage entre les appareils source de chaleur ou le câblage avec le système de contrôle centralisé au bloc de terminaux de le contrôle centralisé (TB7). Lors de l'utilisation de câblage blindé, raccordez la terre blindée de la ligne de transmission de l'appareil intérieur à la vis de terre (Ⓜ) et raccordez la terre blindée de la ligne située entre les appareils source de chaleur et la ligne de transmission du système de contrôle centralisé à la borne de blindage (S) du bloc de terminaux (TB7) de le contrôle centralisé. En outre, dans le cas d'unités source de chaleur dont le connecteur d'alimentation CN41 a été remplacé par un connecteur CN40, la borne de blindage (S) du bloc de terminaux (TB7) du système de contrôle centralisé devrait également être reliée à la terre (Ⓜ).
Fixer fermement le câblage à la partie inférieure du bloc de raccordement avec une bride pour ne pas appliquer la force extérieure au bloc de raccordement. Le cas échéant, le bloc peut être endommagé et des courts-circuits, des fuites à la terre et des incendies peuvent se produire.

Exemple de système de fonctionnement groupé avec plusieurs unités source de chaleur (Il est nécessaire d'utiliser des câbles blindés et de définir les adresses.)

<Exemple de mise en place des câbles de transmission>

[Fig. 10.3.1] Commande à distance M-NET (P.5)

[Fig. 10.3.2] Commande à distance MA (P.5)

<A> Déplacer le cavalier de CN41 sur CN40.

 SW2-1 : sous tension

<C> Laisser le cavalier sur CN41.

Ⓐ Groupe 1

Ⓑ Groupe 4

Ⓒ Groupe 5

Ⓓ Câble blindé

Ⓔ Commande à distance secondaire

Entre () : Adresse

[Fig. 10.2.1] (P.4)

Ⓐ Alimentation

Ⓑ Ligne de transmission

Ⓒ Vis de terre

2. Des plaques de montage pour les conduits (ø27 mm [1-3/32 in]) sont fournies. Faites passer le câble d'alimentation et les câbles de transmission par l'orifice à dégager approprié, puis enlevez la pièce superflue de l'orifice situé en bas du bloc de sorties et connectez les fils.
3. Attachez le câble d'alimentation au bloc de sorties en utilisant le manchon pour la force de tension (Connexion PG ou similaire).
4. Réduire l'ouverture à l'aide d'un conduit pour éviter l'entrée de petits animaux.

10.3. Mise en place des câbles de transmission

① Types de câbles de commande

1. Mise en place des câbles de transmission

- Types de câbles de transmission: Fil blindé CVVS ou CPEVS ou MVVS
- Diamètre des câbles: Supérieur à 1,25 mm² [AWG16]
- Longueur maximum des câbles: 200 m [656 ft]
- Longueur maximale des lignes de transmission pour une commande centralisée et pour les lignes de transmissions intérieures/extérieures (longueur maximale via les appareils extérieurs): 500 m [1640 ft] maximum.
La longueur maximale du câblage entre le bloc d'alimentation pour les lignes de transmission sur les lignes de transmission (pour la commande centralisée et chaque appareil extérieur) et le contrôleur de système est de 200 m [656 ft].

2. Câbles de la télécommande

• Commande à distance M-NET

Type de câble de télécommande	Câble à deux âmes gainé (non blindé)
Diamètre du câble	0,3 à 1,25 mm ² [AWG22 à 16] (0,75 à 1,25 mm ² [AWG18 à 16])*
Remarques	Pour une longueur supérieure à 10 m [32 ft], utilisez un câble similaire au 1. Mise en place des câbles de transmission

• Commande à distance MA

Type de câble de télécommande	Câble à deux âmes gainé (non blindé) CVV
Diamètre du câble	0,3 à 1,25 mm ² [AWG22 à 16] (0,75 à 1,25 mm ² [AWG18 à 16])*
Remarques	Dans les 200 m [656 ft]

* Raccordé avec une télécommande simple.

② Exemples de câblage

- Nom du contrôleur, symbole et nombre de contrôleurs permis.

Nom	Symbole	Nombre de contrôleurs permis
Contrôleur de l'unité source de chaleur	OC	
Contrôleur de l'appareil intérieur	IC	Un à vingt quatre contrôleurs pour un OC
Commande à distance	RC	Maximum 2 par groupe

<Méthode de câblage et réglage des adresses>

- Utilisez toujours des câbles blindés pour effectuer les connexions entre l'unité source de chaleur (OC) et l'appareil intérieur (IC), ainsi que toutes les connexions et intervalles de câblage OC-OC et IC-IC.
- Utilisez des câbles d'alimentation pour raccorder les terminaux M1 et M2 et la borne de terre du câble de transmission du bloc de terminaux (TB3) de chacune des unités source de chaleur (OC) aux bornes M1, M2 et à la borne S des câbles de transmission du bloc de l'appareil intérieur (IC).
- Raccordez les bornes 1 (M1) et 2 (M2) du bloc terminal des câbles de transmission de l'appareil intérieur (IC) qui possède l'adresse la plus récente au sein d'un même groupe au bloc terminal de la commande à distance (RC).
- Raccordez les bornes M1, M2 et la borne S du bloc de terminaux pour le contrôle centralisé (TB7) sur l'unité source de chaleur (OC).
- Ne changez l'emplacement du cavalier sur le panneau de commande de CN41 à CN40 que sur l'une des unités source de chaleur.
- Raccordez la borne S du bloc de terminaux pour le contrôle centralisé (TB7) pour l'appareil source de chaleur (OC) pour l'appareil dans lequel le connecteur volant a été inséré dans CN40 de l'étape ci-dessus à la borne de mise à la terre (L₁) dans le boîtier des composants électriques.
- Régler les commutateurs d'adresses comme indiqué ci-dessous.
- Pour pouvoir régler l'adresse sur 100, le commutateur d'adresse extérieure doit se trouver sur 50.

Appareil	Plage	Méthode de réglage
IC (principale)	01 à 50	Utiliser l'adresse la plus récente au sein du même groupe d'appareils intérieurs.
IC (secondaire)	01 à 50	Utiliser une adresse, autre que celle de l'IC principale parmi les unités d'un même groupe d'appareils intérieurs. Celle-ci doit se trouver en séquence avec celle de l'IC principale
Unité source de chaleur	51 à 100	Utiliser l'adresse la plus récente des appareils intérieurs dans le même système réfrigérant plus 50
M-NET R/C (principale)	101 à 150	Régler l'adresse IC (principale) plus 100
M-NET R/C (secondaire)	151 à 200	Régler l'adresse adresse IC (principale) plus 150
MA R/C	-	Réglage d'adresse inutile (Réglage principale/secondaire nécessaire)

- Les opérations de réglage groupé pour des appareils intérieurs multiples s'effectuent par le biais de la commande à distance (RC) après la mise sous tension.

<Longueurs permises>

① Commande à distance M-NET

- Longueur maximum via les appareils extérieurs: $L_1+L_2+L_3+L_4$ et $L_1+L_2+L_3+L_5$ et $L_1+L_2+L_6 \leq 500$ m [1640 ft] (1,25 mm² [AWG16] ou plus)
- Longueur maximum des câbles de transmission: L_1 et L_3+L_4 et L_3+L_5 et L_6 et $L_2+L_6 \leq 200$ m [656 ft] (1,25 mm² [AWG16] ou plus)
- Longueur du câble de la commande à distance: $\ell_1, \ell_2, \ell_3, \ell_4 \leq 10$ m [32 ft] (0,3 à 1,25 mm² [AWG22 à 16])
Si la longueur dépasse 10 m [32 ft], utiliser un câble blindé de 1,25 mm² [AWG16] de section. La longueur de cette section (L_a) doit alors être prise en considération dans les calculs de longueur maximum et de longueur totale.

② Commande à distance MA

- Longueur maximum via les appareils extérieurs (Câble M-NET): $L_1+L_2+L_3+L_4$ et $L_1+L_2+L_6 \leq 500$ m [1640 ft] (1,25 mm² [AWG16] ou plus)
- Longueur maximum des câbles de transmission (Câble M-NET): L_1 et L_3+L_4 et L_6 et $L_2+L_6 \leq 200$ m [656 ft] (1,25 mm² [AWG16] ou plus)
- Longueur du câble de la commande à distance: m_1 et $m_1+m_2+m_3$ et $m_1+m_2+m_3+m_4 \leq 200$ m [656 ft] (0,3 à 1,25 mm² [AWG22 à 16])

③ Auxiliaire de transmission

- Longueur maximum des câbles de transmission (Câble M-NET):
 - $L_8+L_1+L_2+L_3+L_5+L_6 \leq 200$ m [656 ft] (1,25 mm² [AWG16])
 - $L_8+L_1+L_2+L_3+L_5+L_7 \leq 200$ m [656 ft] (1,25 mm² [AWG16])
 - $L_8+L_1+L_2+L_4 \leq 200$ m [656 ft] (1,25 mm² [AWG16])
 - $L_6+L_5+L_3+L_4, L_4+L_3+L_5+L_7 \leq 200$ m [656 ft] (1,25 mm² [AWG16])
- Longueur du câble de la commande à distance: $\ell_1, \ell_2 \leq 10$ m [32 ft] (0,3 à 1,25 mm² [AWG22 à 16])
Si la longueur dépasse 10 m [32 ft], utiliser un câble blindé de 1,25 mm² [AWG16] de section et calculer la longueur de cette section (L₄ et L₇) au sein de la longueur maximum totale et de la longueur vers l'appareil le plus distant.

10.4. Câblage de l'alimentation principale et capacité des équipements

Schéma du câblage (exemple)

[Fig. 10.4.1] (P.5)

- Ⓐ Coupe-circuit (pour fuites à la terre) Ⓑ Disjoncteurs pour fuite de courant Ⓒ Unité source de chaleur
Ⓓ Boîtier de traction Ⓔ Appareil intérieur

Epaisseur des câbles d'alimentation principale, capacités sous/hors tension et impédance du système

		Section minimum des câbles (mm ² /AWG)			Commutateur (A)		Coupe-circuit pour le câblage (NFB)	Coupe-circuit pour les fuites de courant
		Câble principal	Embranchement	Terre	Capacité	Fusible		
Unité source de chaleur	P72	5,3/10	-	5,3/10	30	30	30	30 A 100 mA 0,1 sec ou moins
	P96	8,4/8	-	8,4/8	40	40	40	40 A 100 mA 0,1 sec ou moins
Contrôleur BC, appareil intérieur		0,41/22	0,41/22	0,41/22	15	15	15	20 A 30 mA 0,1 sec ou moins

- Utilisez une alimentation séparée pour l'unité source de chaleur et l'appareil intérieur.
- Tenir compte des conditions climatiques (température ambiante, rayons solaires directs, eau pluviale, etc.) lors du câblage et du raccordement des appareils.
- Les dimensions des câbles représentent les dimensions minimales pour le câblage de conduits métalliques. Le cordon d'alimentation doit être une unité plus épais à cause des chutes de tension. Vérifier que la tension de l'alimentation ne diminue pas de plus de 10 %.
- En cas de câblages spécifiques, ceux-ci doivent respecter les lois en vigueur dans la région concernée.
- Les cordons d'alimentation électrique des éléments des appareils utilisés à l'extérieur seront au moins aussi lourds que les cordons souples blindés de polychloroprène (conception 245 IEC57). Par exemple, utilisez des câbles tels que YZW.
- Un commutateur avec au moins une séparation de contact de 3,5 mm [0,14 in] pour chaque pôle doit être prévu pour l'installation du climatiseur.

⚠ Avertissement:

- Toujours utiliser les câbles indiqués pour les connexions de sorte qu'aucune force externe ne s'applique aux bornes. Si les connexions ne sont pas effectuées correctement, il peut se produire une surchauffe, voir un incendie.
- Assurez-vous d'utiliser le correct interrupteur de protection contre la surintensité de courant. Veuillez noter que la surintensité de courant générée peut comprendre une certaine quantité de courant direct.

⚠ Précaution:

- Un coupe-circuit de fuite de courant doit être installé au niveau de l'alimentation électrique. Si ce coupe-circuit n'est pas installé, il peut y avoir danger d'électrocution.
- Ne jamais utiliser de coupe-circuits ou de fusibles autres que ceux possédant la valeur adéquate. L'utilisation de fusibles et de fils/fils en cuivre surdimensionnés risque de provoquer un mauvais fonctionnement de l'appareil, voir un incendie.

11. Essai de fonctionnement

11.1. Les phénomènes suivants ne constituent pas des problèmes (urgence)

Phénomène	Affichage de la télécommande	Cause
L'appareil intérieur ne se met pas en mode refroidissement (chauffage).	"Cooling (heating)" clignote	Lorsque un autre appareil intérieur est en mode de chauffage (refroidissement), le mode de refroidissement (chauffage) n'est pas activé.
L'ailette automatique ne s'arrête pas.	Affichage normal	Etant donné la façon dont fonctionne l'ailette automatique, il se peut qu'elle passe automatiquement de la position vers le bas en position horizontale durant le refroidissement si le ventilateur a soufflé vers le bas pendant une heure. Elle se met automatiquement en position horizontale pendant la décongélation, le réglage de la chaleur et si le thermostat est désactivé.
Le réglage du ventilateur change durant le chauffage.	Affichage normal	Le fonctionnement en vitesse très lente commence lorsque le thermostat est désactivé. Lorsque le ventilateur souffle doucement, il passe à la valeur temporelle ou à la température des tuyaux lorsque le thermostat est activé.
Le ventilateur s'arrête durant le mode chauffage.	Affichage de décongélation	Le ventilateur doit s'arrêter pendant la décongélation.
Le ventilateur ne s'arrête pas alors que la fonction est terminée.	Eteint	Le ventilateur continue de fonctionner pendant 1 minute après l'arrêt de l'appareil afin de se débarrasser de toute chaleur résiduelle (seulement en mode de chauffage).
Ventilateur non réglé alors que le SW de mise en marche est activé.	Chauffage prêt	Le ventilateur fonctionne à vitesse extrêmement réduite pendant les 5 minutes après l'activation du SW ou jusqu'à ce que la température des tuyaux atteigne 35 °C [95 °F], il fonctionne lentement pendant les 2 minutes qui suivent puis il fonctionne selon le pré-réglage. (Commande de réglage de la chaleur.)
La télécommande de l'appareil intérieur affiche l'indicateur "HO" ou "PLEASE WAIT" pendant environ cinq minutes après la mise sous tension.	"HO" ou "PLEASE WAIT" clignote	Le système est en train d'être mis en marche. Utilisez de nouveau la télécommande lorsque "HO" ou "PLEASE WAIT" a disparu de l'affichage.
La pompe de drainage ne s'arrête pas alors que l'appareil s'est arrêté.	S'éteint	Lorsque l'appareil s'arrête après le mode de refroidissement, il continue de faire fonctionner la pompe de drainage pendant 3 minutes avant de l'arrêter.
La pompe de drainage continue de fonctionner alors que l'appareil s'est arrêté.		La pompe de drainage continue de fonctionner si l'écoulement est nécessaire, même si l'appareil s'est arrêté.

12. Informations sur la plaque signalétique

Modèle	P72	P96
Réfrigérant (R410A)	7,0 kg [15 LBS 7 oz]	8,0 kg [17 LBS 11 oz]
Pression autorisée (Ps)	HP: 4,15 MPa [601 psi], LP: 2,21 MPa [320 psi]	
Poids net	266 kg [588 LBS]	269 kg [594 LBS]
FABRICANT : MITSUBISHI ELECTRIC CORPORATION AIR-CONDITIONING & REFRIGERATION SYSTEMS WORKS 5-66, TEBIRA, 6-CHOME, WAKAYAMA CITY, JAPON		

This product is designed and intended for use in the residential, commercial and light-industrial environment.

Please be sure to put the contact address/telephone number on this manual before handing it to the customer.