



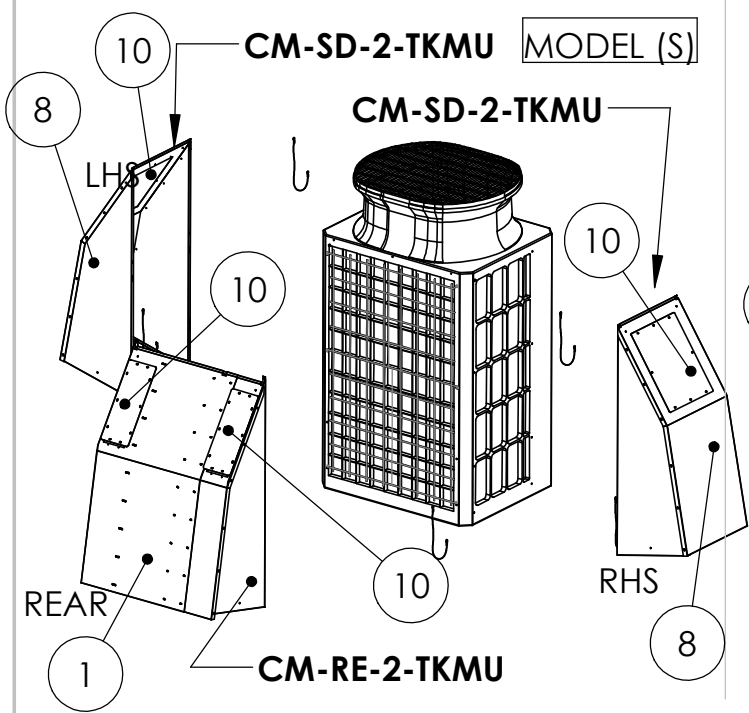
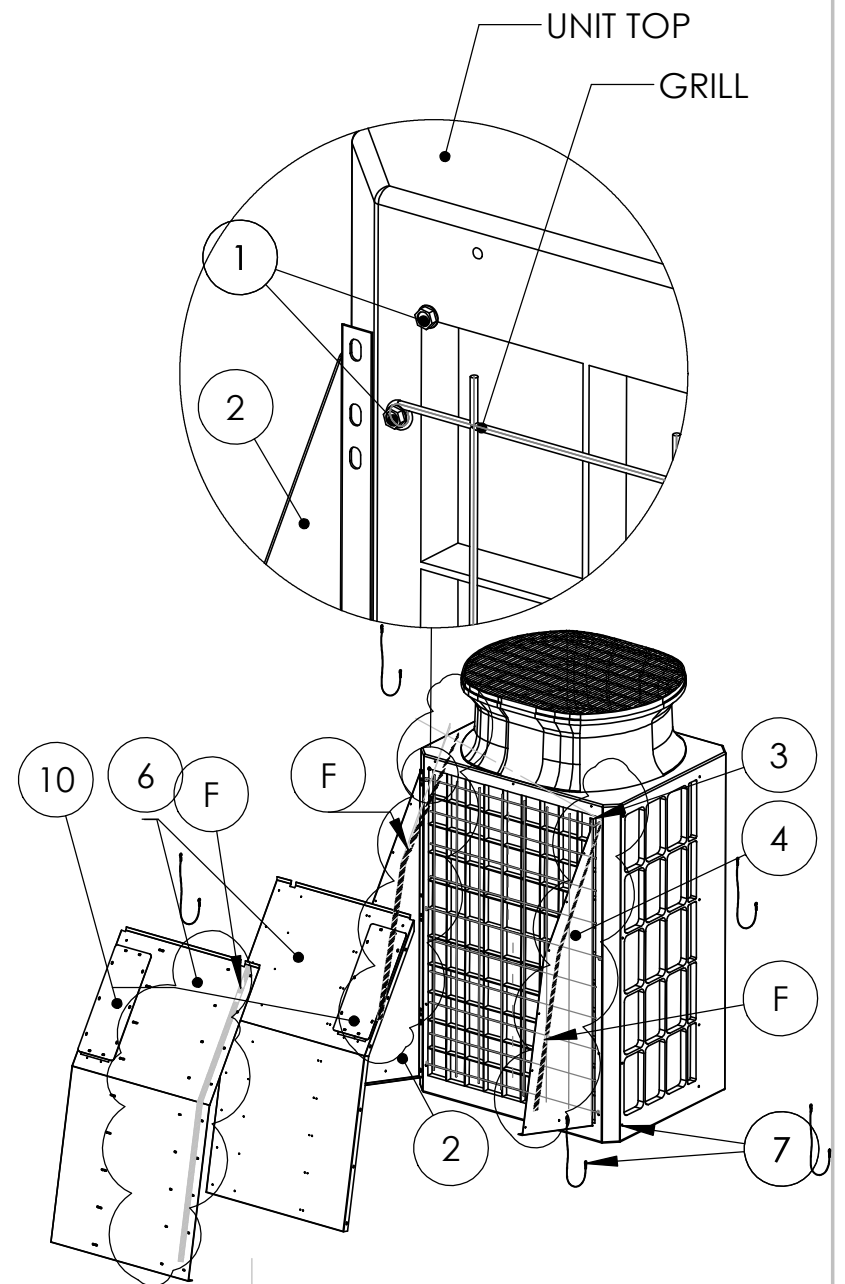
**MITSUBISHI  
ELECTRIC**

# PUHY/PURY-2-TKMU Series Snow Guard Installation Instructions

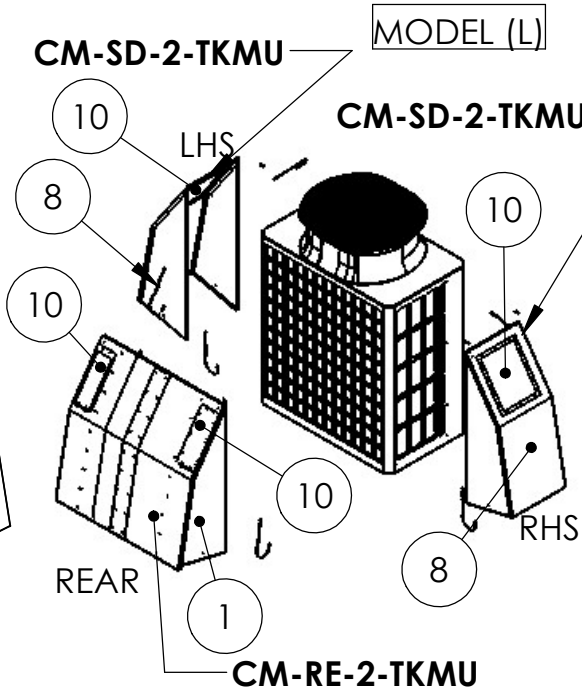
**Always observe for safety and securely install the optional parts**

## SNOWGAIRD INSTALLATION PROCEDURE FOR SIDE (CM-SD-2-TKMU) AND REAR (CM-RE-2-TKMU) SNOW GUARD ASSEMBLY :

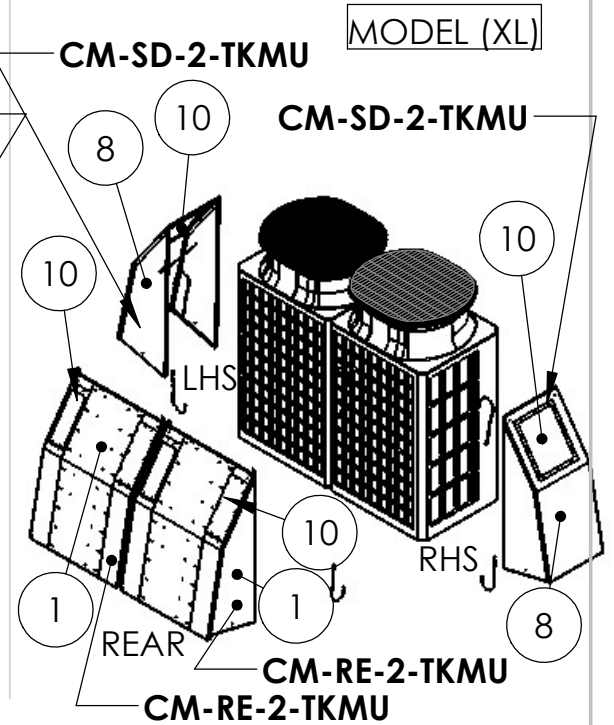
1. WHEN INSTALLING THE REAR ASSEMBLY (CM-RE-2-TKMU), REMOVE THE REAR WIRE GRILL (#3) SCREWS AND TOP SCREW ON THE LEFT SIDE OF THE UNIT FIRST.
2. WITHOUT REMOVING THE GRILL, INSTALL LEFT HAND SIDE GABLE **UNDER** THE GRILL USING THE EXISTING (#4) SCREWS THAT WERE REMOVED IN STEP 1.
3. REMOVE THE REAR WIRE GRILL (#3) SCREWS AND TOP SCREW ON THE RIGHT SIDE OF THE UNIT.
4. WITHOUT REMOVING THE GRILL, INSTALL RIGHT HAND SIDE GABLE **UNDER** THE GRILL USING THE EXISTING (4) SCREWS THAT WERE REMOVED IN STEP 3.
5. ADD 1/2" WIDE ANTI-VIBRATION FOAM TO EXTERIOR EDGE OF GABLES AND ONTO THE INTERIOR EDGE OF LHS COVER AS PER BALLON F. ALIGN SLOTS OF RIGHT HAND REAR COVER WITH THE HOLES OF THE RIGHT HAND SIDE GABLE. INSTALL USING #8 SCREWS PROVIDED.
6. WHERE APPLICABLE (I.E. TWO PC REAR COVER) ALIGN SLOTS OF LEFT HAND REAR COVER WITH THE HOLES OF THE LEFT HAND SIDE GABLE. INSTALL USING #8 SCREWS PROVIDED.
7. ALIGN THE LH REAR COVER SLOTS WITH THE RH COVER HOLES AND INSTALL USING THE #8 SCREWS PROVIDED. INSTALL THE SCREWS FROM THE TOP DOWN TO ENSURE BEST ALIGNMENT.
8. ATTACH THE SAFETY CABLES TO THE UNIT (ALREADY ATTACHED INSIDE THE PANELS).
9. CONTINUE THE ABOVE SEQUENCE FOR THE RH AND LH SIDE GUARD ASSEMBLIES. INSTALL BY REMOVING THE TWO TOP SCREWS ON THE UNIT AND (8) #10 SELF TAPPING SCREWS PROVIDED PER ASSEMBLY.
10. INSTALL ALL ACCESS COVER PLATES WITH SCREWS PROVIDED.
11. ONCE ALL SNOWGUARDS ARE INSTALLED, MAKE SURE TO INSPECT AND CHECK FOR ANY LOOSE CONNECTIONS.



CM-SD-2-TKMU (LOT OF 2) - QTY 1  
CM-RE-2-TKMU - QTY 1



CM-SD-2-TKMU (LOT OF 2) - QTY 1  
CM-RE-2-TKMU - QTY 1



CM-SD-2-TKMU (LOT OF 2) - QTY 1  
CM-RE-2-TKMU - QTY 2