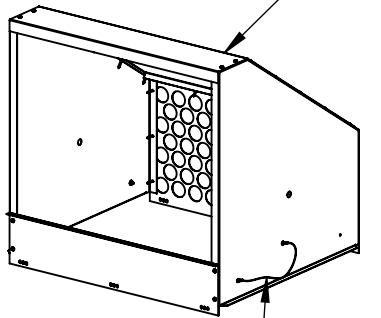


CM-SNOW-TKMU Snowhood Assemble Instructions

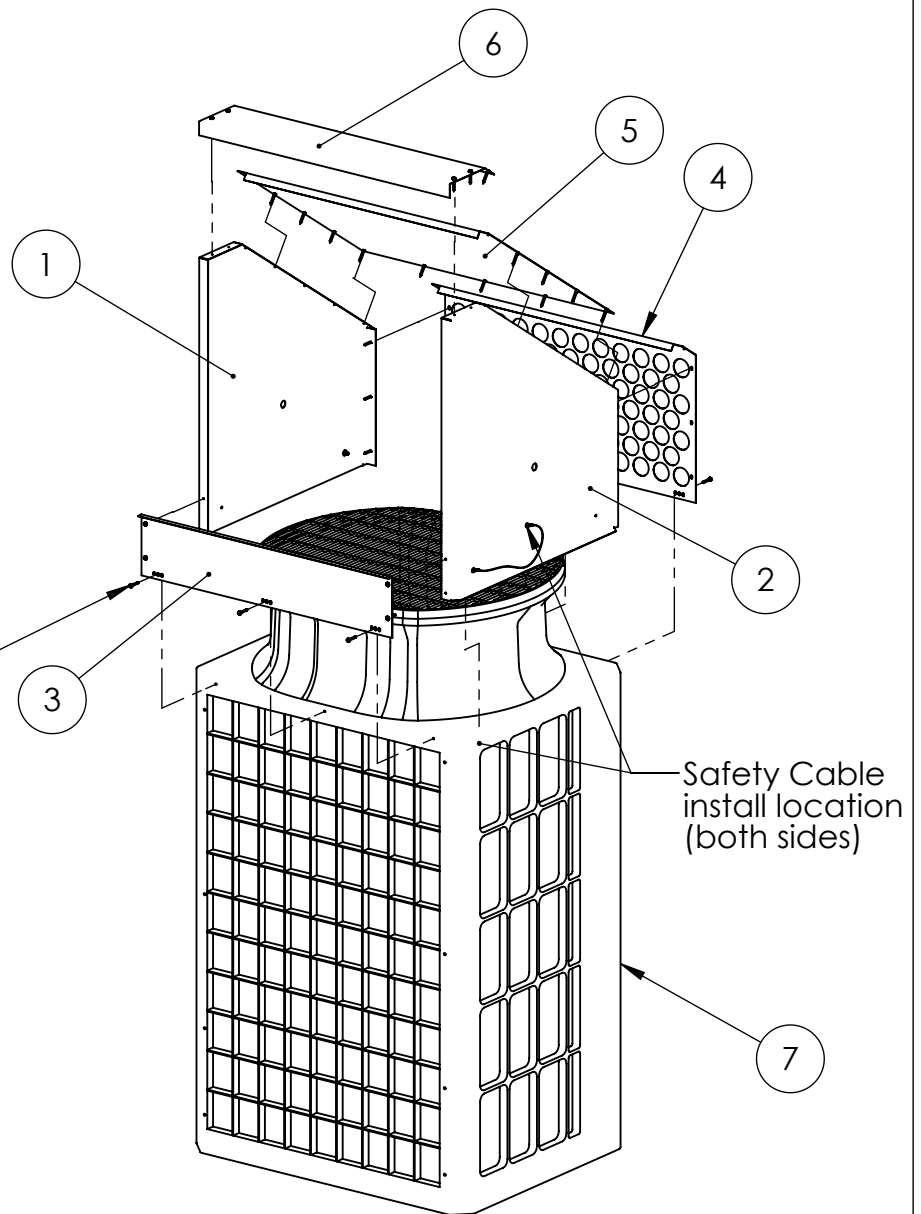
Assemble Order: SNOWHOOD 1---2---3---4---5---6 → UNIT ---7

CM-SNOW-TKMU
SNOWHOOD ASSEMBLED



SAFETY CABLE

6 final screws installation
to the unit (front&back)



Safety Cable
install location
(both sides)

Part	Description	Q.ty
1	SIDHOOD - LEFT	1
2	SIDHOOD - RIGHT	1
3	TOPHOOD FRONT	1
4	TOPHOOD BACK	1
5	TOPHOOD BACK	1
6	TOPHOOD TOP	1
7	UNIT	1
8	#8 TAPPING SCREW	30
9	#10 TAPPING SCREW	6