

# SPLIT-SYSTEM HEAT PUMP PCA-A·KA Series

## INSTALLATION MANUAL

For safe and correct use, read this manual and the outdoor unit installation manual thoroughly before installing the air-conditioner unit.

FOR INSTALLER

## MANUEL D'INSTALLATION

Avant d'installer le climatiseur, lire attentivement ce manuel, ainsi que le manuel d'installation de l'appareil extérieur pour une utilisation sûre et correct.

POUR L'INSTALLATEUR

## MANUAL DE INSTALACIÓN

Para un uso seguro y correcto, lea detalladamente este manual de instalación antes de montar la unidad de aire acondicionado.

PARA EL INSTALADOR

English

Français

Español

# Contents

1. Safety precautions.....	1	5. Drainage piping work.....	6
2. Installation location.....	3	6. Electrical work.....	6
3. Installing the indoor unit.....	3	7. Test run.....	14
4. Installing the refrigerant piping.....	5	8. Easy maintenance function.....	18

**Note:**  
In this installation manual, the term “Wired remote controller” refers only to the PAR-41MAA and the term “Wireless remote controller” refers only to the PAR-SL101A-E. If you need any information for other remote controllers, refer to the installation manual that is included with the grille, which includes a remote controller, or the initial setting manual that is included with the optional remote controller.

## 1. Safety precautions

- ▶ Before installing the unit, make sure you read all the “Safety Precautions”.
- ▶ The “Safety Precautions” provide very important points regarding safety. Make sure you follow them.
- ▶ Please report to your supply authority or obtain their consent before connecting this equipment to the power supply system.

### Symbols used in the text

#### ⚠ Warning:

Describes precautions that should be observed to prevent danger of injury or death to the user.

#### ⚠ Caution:

Describes precautions that should be observed to prevent damage to the unit.

#### ⚠ Warning:

- Carefully read the labels affixed to the main unit.
- Ask a dealer or an authorized technician to install, relocate and repair the unit.
- The user should never attempt to repair the unit or transfer it to another location.
- For installation and relocation work, follow the instructions in the Installation Manual and use tools and pipe components specifically made for use with refrigerant specified in the outdoor unit installation manual.
- The unit must be installed according to the instructions in order to minimize the risk of damage from earthquakes, typhoons, or strong winds. An incorrectly installed unit may fall down and cause damage or injuries.
- Do not alter the unit. It may cause fire, electric shock, injury or water leakage.
- The unit must be securely installed on a structure that can sustain its weight.
- The appliance shall be stored in a well-ventilated area where the room size corresponds to the room area as specified for operation.
- If the air conditioner is installed in a small room or closed room, measures must be taken to prevent the refrigerant concentration in the room from exceeding the safety limit in the event of refrigerant leakage. Should the refrigerant leak and cause the concentration limit to be exceeded, hazards due to lack of oxygen in the room may result.
- Keep gas-burning appliances, electric heaters, and other fire sources (ignition sources) away from the location where installation, repair, and other air conditioner work will be performed.  
If refrigerant comes into contact with a flame, poisonous gases will be released.
- Ventilate the room if refrigerant leaks during operation. If refrigerant comes into contact with a flame, poisonous gases will be released.
- All electric work must be performed by a qualified technician according to local regulations and the instructions given in this manual.
- Do not use intermediate connection of the electric wires.
- Use only specified cables for wiring. The wiring connections must be made securely with no tension applied on the terminal connections. Also, never splice the cables for wiring (unless otherwise indicated in this document). Failure to observe these instructions may result in overheating or a fire.
- When installing or relocating, or servicing the air conditioner, use only the specified refrigerant written on outdoor unit to charge the refrigerant lines. Do not mix it with any other refrigerant and do not allow air to remain in the lines.  
If air is mixed with the refrigerant, then it can be the cause of abnormal high pressure in the refrigerant line, and may result in an explosion and other hazards.  
The use of any refrigerant other than that specified for the system will cause mechanical failure or system malfunction or unit breakdown. In the worst case, this could lead to a serious impediment to securing product safety.

### Symbols used in the illustrations

⊥ : Indicates a part which must be grounded.

⊘ : Be sure not to do.

After installation work has been completed, explain the “Safety Precautions,” use, and maintenance of the unit to the customer according to the information in the Operation Manual and perform the test run to ensure normal operation. Both the Installation Manual and Operation Manual must be given to the user for keeping. These manuals must be passed on to subsequent users.

- The appliance shall be installed in accordance with national wiring regulations.
- This appliance is not intended for use by persons (including children) with reduced physical, sensory or mental capabilities, or lack of experience and knowledge, unless they have been given supervision or instruction concerning use of the appliance by a person responsible for their safety.
- Children should be supervised to ensure that they do not play with the appliance.
- The terminal block cover panel of the unit must be firmly attached.
- If the supply cord is damaged, it must be replaced by the manufacturer, its service agent or similarly qualified persons in order to avoid a hazard.
- Use only authorized accessories by Mitsubishi Electric and ask a dealer or an authorized technician to install them.  
If accessories are incorrectly installed, water leakage, electric shock, or fire may result.
- After installation has been completed, check for refrigerant leaks. If refrigerant leaks into the room and comes into contact with the flame of a heater or portable cooking range, poisonous gases will be released.
- Do not use means to accelerate the defrosting process or to clean, other than those recommended by the manufacturer.
- The appliance shall be stored in a room without continuously operating ignition sources (for example: open flames, an operating gas appliance or an operating electric heater).
- Do not pierce or burn.
- Be aware that refrigerants may not contain an odour.
- Pipe-work shall be protected from physical damage.
- The installation of pipe-work shall be kept to a minimum.
- Compliance with national gas regulations shall be observed.
- Keep any required ventilation openings clear of obstruction.
- Do not use low temperature solder alloy in case of brazing the refrigerant pipes.
- When performing brazing work, be sure to ventilate the room sufficiently.  
Make sure that there are no hazardous or flammable materials nearby.  
When performing the work in a closed room, small room, or similar location, make sure that there are no refrigerant leaks before performing the work.  
If refrigerant leaks and accumulates, it may ignite or poisonous gases may be released.
- Exercise caution when using any auxiliary heat source and follow all third party manufacturer instructions and safety guidelines for installation and usage.  
Any auxiliary heat source connected to this unit via the CN24 connection must have an independent temperature control mechanism. Failure to install and maintain such temperature control mechanism may void the warranty for this unit.  
Mitsubishi Electric shall not bear any warranty obligation or other liability for any damage or loss in connection with such third party auxiliary heaters.

# 1. Safety precautions

---

## 1.1. Before installation (Environment)

### ⚠ Caution:

- Do not use the unit in an unusual environment. If the air conditioner is installed in areas exposed to steam, volatile oil (including machine oil), or sulfuric gas, areas exposed to high salt content such as the seaside, the performance can be significantly reduced and the internal parts can be damaged.
  - Do not install the unit where combustible gases may leak, be produced, flow, or accumulate. If combustible gas accumulates around the unit, fire or explosion may result.
  - Do not keep food, plants, caged pets, artwork, or precision instruments in the direct airflow of the indoor unit or too close to the unit, as these items can be damaged by temperature changes or dripping water.
  - When the room humidity exceeds 80% or when the drainpipe is clogged, water may drip from the indoor unit. Do not install the indoor unit where such dripping can cause damage.
  - When installing the unit in a hospital or communications office, be prepared for noise and electronic interference. Inverters, home appliances, high-frequency medical equipment, and radio communications equipment can cause the air conditioner to malfunction or breakdown. The air conditioner may also affect medical equipment, disturbing medical care, and communications equipment, harming the screen display quality.
- 

## 1.2. Before installation or relocation

### ⚠ Caution:

- Be extremely careful when transporting the units. Two or more persons are needed to handle the unit, as it weighs 20 kg, 44 lbs or more. Do not grasp the packaging bands. Wear protective gloves as you can injure your hands on the fins or other parts.
  - Be sure to safely dispose of the packaging materials. Packaging materials, such as nails and other metal or wooden parts may cause stabs or other injuries.
  - Thermal insulation of the refrigerant pipe is necessary to prevent condensation. If the refrigerant pipe is not properly insulated, condensation will be formed.
  - Place thermal insulation on the pipes to prevent condensation. If the drainpipe is installed incorrectly, water leakage and damage to the ceiling, floor, furniture, or other possessions may result.
  - Do not clean the air conditioner unit with water. Electric shock may result.
  - Tighten all flare nuts to specification using a torque wrench. If tightened too much, the flare nut can break after an extended period.
  - If the unit is run for long hours when the air above the ceiling is at high temperature/high humidity (dew point above 26 °C, 79 °F), dew condensation may be produced in the indoor unit or the ceiling materials. When operating the units in this condition, add insulation material (10-20 mm, 25/64-25/32 inch) to the entire surface of the unit and ceiling materials to avoid dew condensation.
- 

## 1.3. Before electric work

### ⚠ Caution:

- Be sure to install circuit breakers. If not installed, electric shock may result.
  - For the power lines, use standard cables of sufficient capacity. Otherwise, a short circuit, overheating, or fire may result.
  - When installing the power lines, do not apply tension to the cables.
  - Be sure to ground the unit. If the unit is not properly grounded, electric shock may result.
  - Use circuit breakers (ground fault interrupter, isolating switch (+B fuse), and molded case circuit breaker) with the specified capacity. If the circuit breaker capacity is larger than the specified capacity, breakdown or fire may result.
- 

## 1.4. Before starting the test run

### ⚠ Caution:

- Turn on the main power switch more than 12 hours before starting operation. Starting operation just after turning on the power switch can severely damage the internal parts.
- Before starting operation, check that all panels, guards and other protective parts are correctly installed. Rotating, hot, or high voltage parts can cause injuries.
- Do not operate the air conditioner without the air filter set in place. If the air filter is not installed, dust may accumulate and breakdown may result.
- Do not touch any switch with wet hands. Electric shock may result.
- Do not touch the refrigerant pipes with bare hands during operation.
- After stopping operation, be sure to wait at least five minutes before turning off the main power switch. Otherwise, water leakage or breakdown may result.

## 2. Installation location

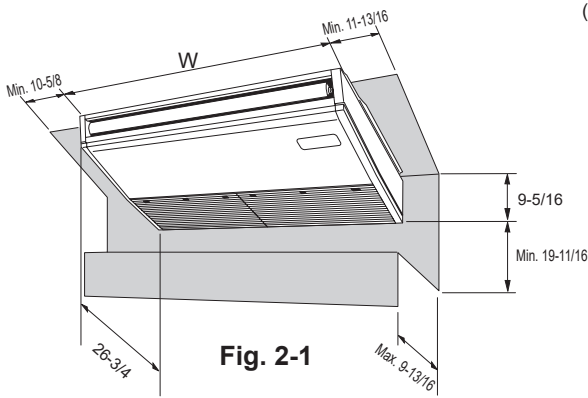


Fig. 2-1

(inch)

### 2.1. Outline dimensions (Indoor unit) (Fig. 2-1)

Select a proper position allowing the following clearances for installation and maintenance.

(inch)

Models	W
A24, 30	50-3/8
A36, 42	63

#### ⚠ Warning:

Mount the indoor unit on a ceiling strong enough to withstand the weight of the unit.

### 2.2. Outline dimensions (Outdoor unit)

Refer to the outdoor unit installation manual.

## 3. Installing the indoor unit

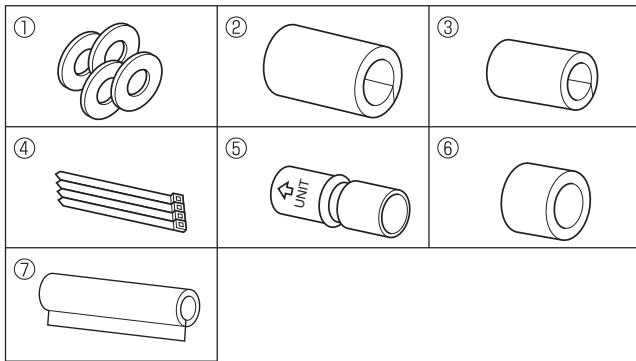


Fig. 3-1

### 3.1. Check the indoor unit accessories (Fig. 3-1)

The indoor unit should be supplied with the following accessories. (contained in the inside of the intake grille).

	Accessory name	Q'ty
①	Washer	4 pcs
②	Pipe cover	1 pc Large size (For gas tubing)
③	Pipe cover	1 pc Small size (For liquid tubing)
④	Band	4 pcs
⑤	Joint socket	1 pc Marked with "UNIT"
⑥	Socket cover	1 pc
⑦	Drain tubing cover	1 pc

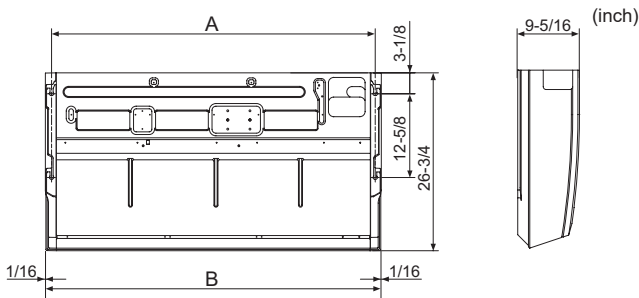


Fig. 3-2

### 3.2. Preparation for installation (Fig. 3-2)

#### 3.2.1. Suspension bolt installing spacing

(inch)

Models	A	B
A24, 30	48-11/16	50-3/8
A36, 42	61-5/16	63

#### 3.2.2. Refrigerant and drain tubing location

- Ⓐ Front side outlet
- Ⓑ Left side outlet
- Ⓒ Right side outlet
- Ⓓ Independent piece (Removable)
- Ⓔ Right drain tubing
- Ⓕ Left drain tubing
- Ⓖ Gas tubing
- Ⓗ Liquid tubing
- Ⓘ Rubber plug
- Ⓚ with Joint socket ⑤

In case of the rear pipe arrangement, make sure to remove the shaded portions from the Ⓓ independent piece. Then put the Ⓓ independent piece back in initial position.

(The heat exchanger might be clogged because of dust)

#### 3.2.3. Selection of suspension bolts and tubing positions (Fig. 3-3)

##### ⚠ Caution:

Install the indoor unit at least 8 ft. (2.4 m) above floor or grade level. These appliances are not accessible to the general public.

Using the pattern paper provided for installation, select proper positions for suspension bolts and tubing and prepare relative holes.

- Ⓐ Pattern paper
- Ⓑ Suspension bolt hole
- Ⓒ Indoor unit width

Secure the suspension bolts or use angle stock braces or square timbers for bolt installation.

- Ⓓ Use inserts of 220-230 lbs. (100-105 kg) each.
- Ⓔ Use suspension bolts of W 3/8 or M10 in size.

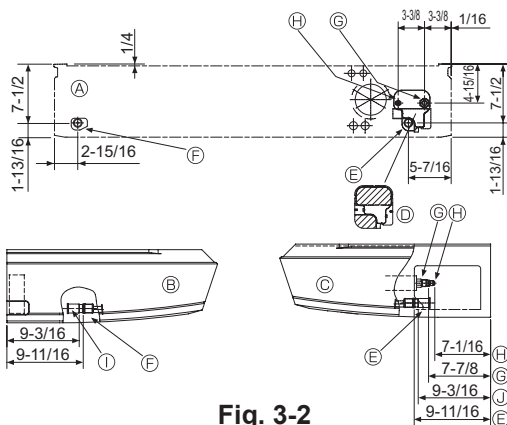


Fig. 3-3

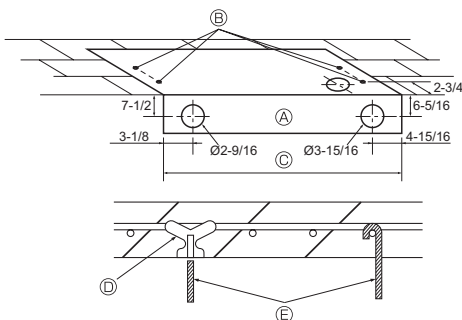


Fig. 3-3

### 3. Installing the indoor unit

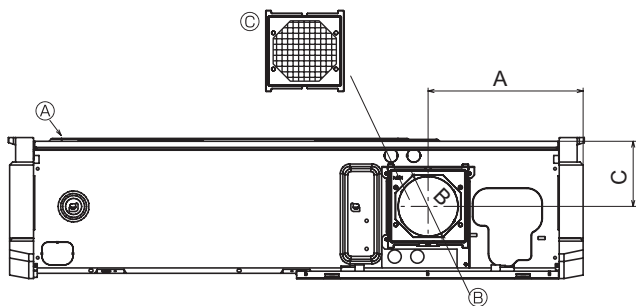


Fig. 3-4

#### 3.2.4. Fresh air intake hole (Fig. 3-4)

At the time of installation, use the duct holes (knock out) located at the positions shown in following diagram, as and when required.

- Ⓐ Indoor unit
- Ⓑ Fresh air intake hole (knock out hole)
- Ⓒ Filter

in. (mm)

A	B	C
10-3/16 (259.5)	ø 3-15/16 (ø 100)	4-5/16 (109)

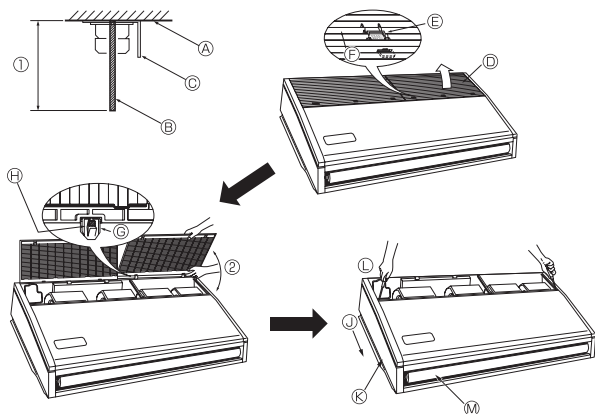


Fig. 3-5

#### 3.2.5. Indoor unit preparation (Fig. 3-5)

1. Install the suspending bolts. (Procure the W 3/8 or M10 bolts locally.)  
Predetermine the length from the ceiling (Ⓐ) within 3-15/16 in. (100 mm).  
Ⓐ Ceiling surface Ⓑ Suspending bolt Ⓒ Suspending bracket
2. Remove the intake grille.  
Slide the intake grille holding knobs (at 2 or 3 locations) backward to open the intake grille.
3. Remove the side panel.  
Remove the side panel holding screws (1 in each side, right and left) then slide the side panel forward for removal.

- Ⓓ Intake grille
- Ⓔ Slide the side panel forward.
- Ⓔ Intake grille holding knob
- Ⓕ Side panel
- Ⓕ Slide
- Ⓖ Remove the side panel holding screws.
- Ⓖ Hinge
- Ⓗ Remove the protective vinyl of vane.
- Ⓗ Pushing the hinge, pull out the intake grille.
- Ⓜ Forcing open the intake grille or opening it to an angle of more than 120° may damage the hinges.

### 3.3. Installing the indoor unit (Fig. 3-6)

Use a proper suspending method depending on the presence or absence of ceiling materials as follows.

- Ⓐ In the presence of ceiling materials
- Ⓑ In the absence of ceiling materials
- Ⓒ Suspending bracket
- Ⓓ Unit
- Ⓔ Ceiling
- Ⓕ Suspending bolt
- Ⓖ Washer Ⓚ
- Ⓗ Washer (Local procurement)
- Ⓜ Double nuts

#### 1) Directly suspending the unit

Installing procedures

1. Install the washer Ⓚ (supplied with the unit) and the nuts (to be locally procured).
2. Set (hook) the unit through the suspending bolts.
3. Tighten the nuts.

Check the unit installing condition.

- Check that the unit is horizontal between the right and left sides.
- Check that the front and the rear of suspending brackets are horizontal.  
(To keep drainage, the unit is inclined to the suspending brackets. The unit slopes continuously downward from the front to the rear is the right installation position.)

#### 2) Installing the suspending bracket first onto the ceiling (Fig. 3-7)

Installing procedures

1. Remove the suspending brackets and U-shaped washers from the unit.
2. Adjust the suspending bracket holding bolts on the unit.
3. Attach the suspending brackets to the suspending bolts.
4. Check that the suspending brackets are horizontal (front and rear/right and left).
5. Set (hook) the unit to the suspending brackets.
6. Tighten fixed bolts of the suspending brackets.

※ Be sure to install the U-shaped washers.

- Ⓐ Suspending bracket holding bolt
- Ⓑ Unit
- Ⓒ U-shaped washer
- Ⓓ Suspending bolt
- Ⓔ Washer Ⓚ
- Ⓜ Double nuts

(inch)	
Ⓐ A24, 30	47 - 5/16
Ⓐ A36, 42	59 - 7/8

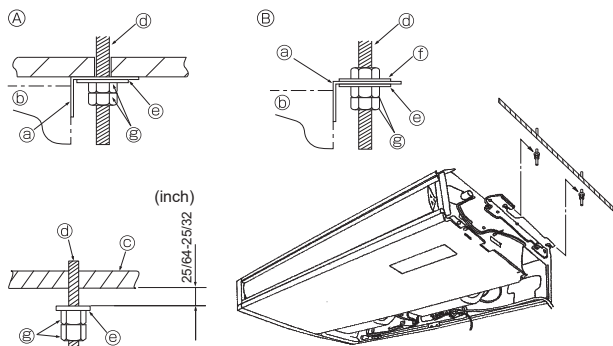


Fig. 3-6

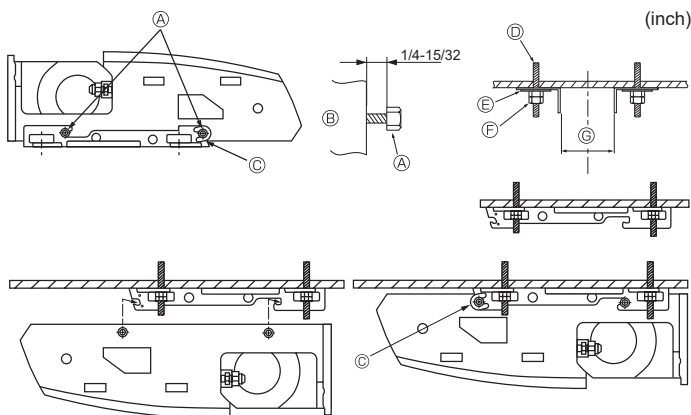


Fig. 3-7

## 4. Installing the refrigerant piping

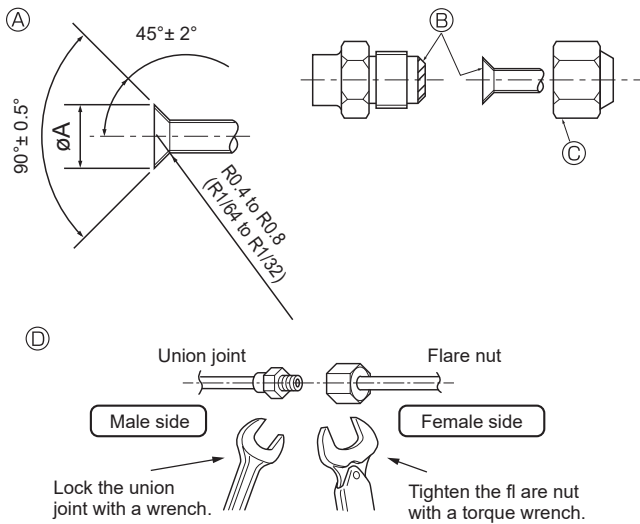


Fig. 4-1

A Flare cutting dimensions in. (mm)

Copper pipe O.D.	Flare dimensions øA dimensions
1/4" (ø6.35)	11/32-23/64 (8.7 - 9.1)
3/8" (ø9.52)	1/2-33/64 (12.8 - 13.2)
1/2" (ø12.7)	41/64-21/32 (16.2 - 16.6)
5/8" (ø15.88)	49/64-25/32 (19.3 - 19.7)
3/4" (ø19.05)	29/32-59/64 (22.9 - 23.3)

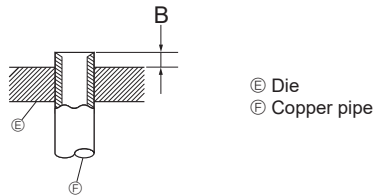


Fig. 4-2

Copper pipe O.D.	B
	Flare tool for R410A Clutch type
1/4" (ø6.35)	0-1/64 (0 - 0.5)
3/8" (ø9.52)	0-1/64 (0 - 0.5)
1/2" (ø12.7)	0-1/64 (0 - 0.5)
5/8" (ø15.88)	0-1/64 (0 - 0.5)
3/4" (ø19.05)	0-1/64 (0 - 0.5)

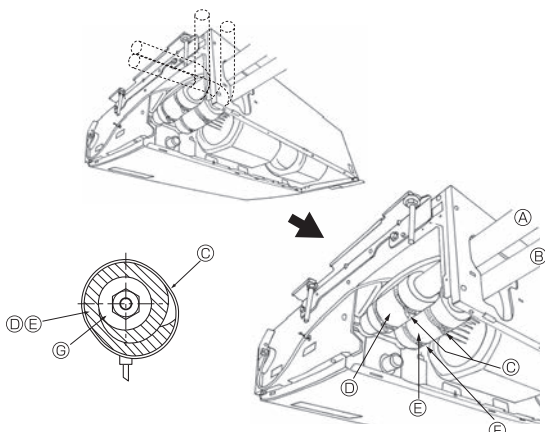


Fig. 4-3

### 4.1. Precautions

For devices that use R410A refrigerant

- Use ester oil, ether oil or alkylbenzene oil (small amount) as the refrigeration oil applied to the flared sections.
- Use C1220 copper phosphorus for copper and copper alloy seamless pipes, to connect the refrigerant pipes. Use refrigerant pipes with the thicknesses specified in the table below. Make sure the insides of the pipes are clean and do not contain any harmful contaminants such as sulfuric compounds, oxidants, debris, or dust.

#### ⚠ Warning:

When installing or relocating, or servicing the air conditioner, use only the specified refrigerant written on outdoor unit to charge the refrigerant lines. Do not mix it with any other refrigerant and do not allow air to remain in the lines. If air is mixed with the refrigerant, then it can be the cause of abnormal high pressure in the refrigerant line, and may result in an explosion and other hazards. The use of any refrigerant other than that specified for the system will cause mechanical failure or system malfunction or unit breakdown. In the worst case, this could lead to a serious impediment to securing product safety.

in. (mm)

	A24, 30, 36, 42
Liquid pipe	3/8" (ø9.52) thickness 1/32" (0.8)
Gas pipe	5/8" (ø15.88) thickness 3/64" (1.0)

- Do not use pipes thinner than those specified above.

### 4.2. Connecting pipes (Fig. 4-1)

- When commercially available copper pipes are used, wrap liquid and gas pipes with commercially available insulation materials (heat-resistant to 212 °F (100 °C) or more, thickness of 1/2 in. (12 mm) or more).
- The indoor parts of the drain pipe should be wrapped with polyethylene foam insulation materials (specific gravity of 0.03, thickness of 23/64 in. (9 mm) or more).
- Flare the ends of the refrigerant pipes. Ⓐ
- Apply refrigerating machine oil over the entire flare seat surface. Ⓑ
- Use the flare nuts as follows. Ⓒ
- For connection, first align the center, then tighten the first 3 to 4 turns of flare nut by hand.
- Use 2 wrenches to tighten piping connections. Ⓓ
- Use refrigerant piping insulation provided to insulate indoor unit connections. Insulate carefully.

#### Ⓒ Flare nut tightening torque

Copper pipe O.D. (mm, inch)	Flare nut O.D. (mm, inch)	Tightening torque (N·m, ft·lbs)
ø6.35, 1/4	17, 43/64	14-18, 10-13
ø6.35, 1/4	22, 7/8	34-42, 25-30
ø9.52, 3/8	22, 7/8	34-42, 25-30
ø12.7, 1/2	26, 1-3/64	49-61, 35-44
ø12.7, 1/2	29, 1-9/64	68-82, 49-59
ø15.88, 5/8	29, 1-9/64	68-82, 49-59
ø15.88, 5/8	36, 1-27/64	100-120, 71-86
ø19.05, 3/4	36, 1-27/64	100-120, 71-86

#### ⚠ Warning:

- Be careful of flying flare nut! (Internally pressurized)  
Remove the flare nut as follows:
  1. Loosen the nut until you hear a hissing noise.
  2. Do not remove the nut until the gas has been completely released (i.e., hissing noise stops).
  3. Check that the gas has been completely released, and then remove the nut.
- When installing the unit, securely connect the refrigerant pipes before starting the compressor.

### 4.3. Indoor unit (Fig. 4-3)

#### Installing procedures

1. Slide the supplied pipe cover Ⓐ over the gas tubing until it is pressed against the sheet metal inside the unit.
2. Slide the provided pipe cover Ⓑ over the liquid tubing until it is pressed against the sheet metal inside the unit.
3. Tighten the pipe covers Ⓐ and Ⓑ at the both ends 3/4 in. (20 mm) with the supplied bands Ⓒ.
  - Ⓐ Gas tubing
  - Ⓑ Pipe cover Ⓒ
  - Ⓒ Liquid tubing
  - Ⓓ Press the pipe cover against the sheet metal.
  - Ⓓ Band Ⓒ
  - Ⓔ Refrigerant tubing heat insulating material
  - Ⓔ Pipe cover Ⓒ

### 4.4. For twin combination

Refer to the outdoor unit installation manual.



## 5. Drainage piping work

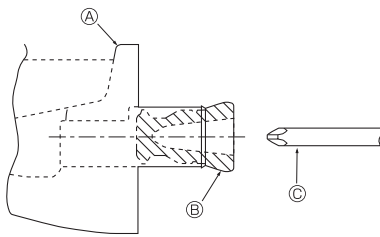


Fig. 5-1

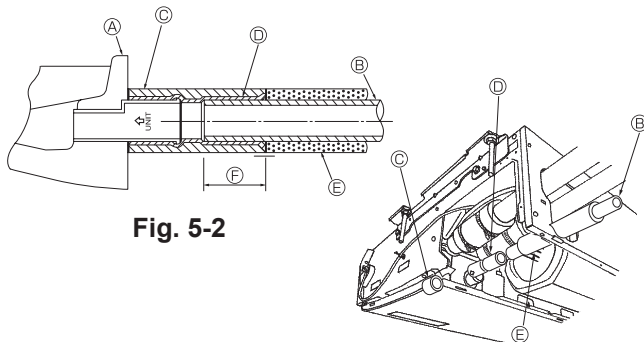


Fig. 5-2

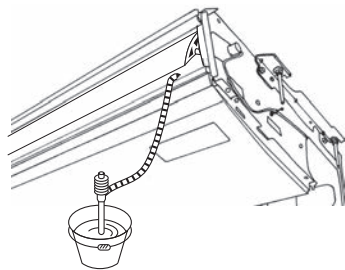


Fig. 5-3

- For left side tubing, be sure to insert the rubber plug into the right drain port. (Fig. 5-1)
- Use VP-20 (O.D. ø26 (1") PVC TUBE) for drain piping and provide 1/100 or more downward slope.
- After completion of work, check that correct drain is available from the outflow port of the drain tubing.
  - Ⓐ Drain pan
  - Ⓑ Plug
  - Ⓒ Insert the driver etc. in the plug deeply.

### Installing procedures (Fig. 5-2)

1. Attach the joint socket ⑤ supplied with the unit to the drain port on the unit with a vinyl chloride adhesive.
2. Fasten the socket cover ⑥ supplied with the unit to the joint socket ⑤.
3. Attach the field drain tubing (VP-20) to the joint socket ⑤ with a vinyl chloride adhesive.
4. Wrap the drain tubing cover ⑦ supplied with the unit. (Seam taping)
  - Ⓐ Drain pan
  - Ⓑ Drain tubing
  - Ⓒ Socket cover ⑥
  - Ⓓ Joint socket ⑤
  - Ⓔ Drain tubing cover ⑦
  - Ⓕ Insertion length 1-15/32 in. (37mm)

5. Check for correct drainage. (Fig. 5-3)

\* Fill the drain pan with water of about 1/4 gal (1 L) from the air outlet.

## 6. Electrical work

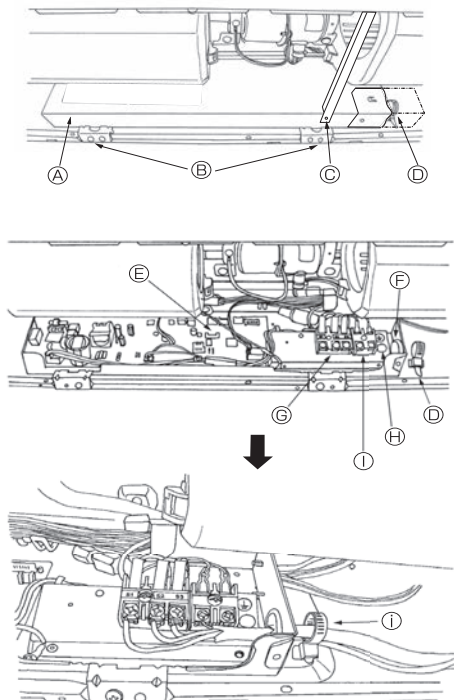


Fig. 6-1

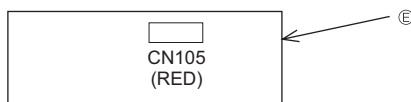


Fig. 6-2

### 6.1. Electric wiring

#### Wiring procedures

1. Remove the tapping screw ③ then remove the beam.
2. Remove the (2) tapping screws ② then remove the electric part cover ①.
3. <For wired remote controller>  
Connect the electric wires securely to the corresponding terminals (Fig. 6-1)
4. Replace the removed parts.
5. Tie the electric wires with the local wiring clamp located in the right side of the electrical box.
  - Ⓐ Cover
  - Ⓑ Set screws (2 pcs)
  - Ⓒ Set screws (Beam)
  - Ⓓ Wiring clamp
  - Ⓔ Indoor controller board
  - Ⓕ Wire service entrance
  - Ⓖ Terminal block for indoor and outdoor units connection
  - Ⓗ Grounding cable connector
  - Ⓘ Terminal block for wired remote controller
  - Ⓚ Secure with the wiring clamp.

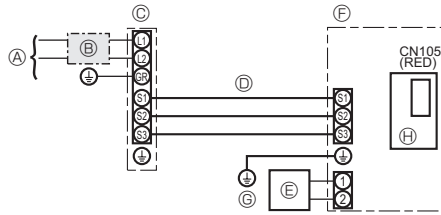
## 6. Electrical work

### 6.1.1. Indoor unit power supplied from outdoor unit

The following connection patterns are available.

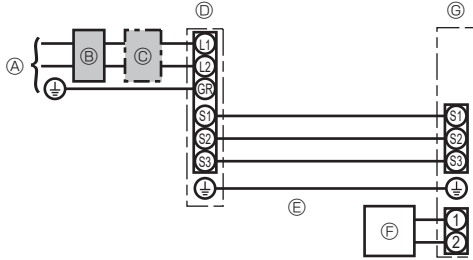
The outdoor unit power supply patterns vary on models.

#### 1:1 System



- Ⓐ Outdoor unit power supply
- Ⓑ Wiring circuit breaker or isolating switch
- Ⓒ Outdoor unit
- Ⓓ Indoor unit/outdoor unit connecting cords
- Ⓔ Wired remote controller (Optional parts)
- Ⓕ Indoor unit
- Ⓖ Indoor unit earth
- Ⓗ Indoor controller board

\* Affix label A that is included with the manuals near each wiring diagram for the indoor and outdoor units.



- Ⓐ Outdoor unit power supply
- Ⓑ Earth leakage breaker
- Ⓒ Wiring circuit breaker or isolating switch
- Ⓓ Outdoor unit
- Ⓔ Indoor unit/outdoor unit connecting cables
- Ⓕ Remote controller
- Ⓖ Indoor unit

\* Affix label A that is included with the manuals near each wiring diagram for the indoor and outdoor units.

Applied earth type depends on outdoor unit.

Please refer to connected outdoor unit Installation Manual.

Indoor unit model	PCA-A24, 30KA8	PCA-A36, 42KA8
Minimum circuit ampacity	1A	2A
Maximum rating of overcurrent protective device	15A	
Wiring Wire No. x size	Indoor unit-Outdoor unit *1	3 × AWG14 (polar)
	Indoor unit earth	1 × Min. AWG14
	Wired remote controller-Indoor unit *2	2 × AWG22 (Non-polar, unshielded)
Circuit rating	Indoor unit-Outdoor unit S1-S2 *3	208/230 V AC
	Indoor unit-Outdoor unit S2-S3 *3	24 V DC/28 V DC
	Wired remote controller-Indoor unit *3	12 V DC

\*1. Max. 50 m, 165 ft

\*2. Max. 500 m, 1640 ft (For two wired remote controllers: Max. 200 m, 656 ft)

\*3. The figures are NOT always against the ground.

S3 terminal has 24 V DC/28V DC against S2 terminal. However between S3 and S1, these terminals are not electrically insulated by the transformer or other device.

**Notes:** 1. Wiring size must comply with the applicable local and national code.

2. Power supply cords and indoor unit/outdoor unit connecting cords shall not be lighter than polychloroprene sheathed flexible cord. (Design 60245 IEC 57)

3. Use copper supply wires.

4. Use UL wires rated 300V or more for the power supply cables and the indoor unit/outdoor unit connecting cables.

5. Install an earth longer than other cables.

6. Indoor and outdoor connecting wires have polarities. Make sure to match the terminal number (S1, S2, S3) for correct wirings.

7. Wiring for remote controller cable shall be apart (5 cm, 2 inch or more) from power source wiring so that it is not influenced by electric noise from power source wiring.

8. This appliance incorporates an earth connection for functional purpose only.

**Warning:**

Never splice the power cable or the indoor-outdoor connection cable, otherwise it may result in a smoke, a fire or communication failure.

## 6.2. Remote controller (Optional parts)

### 6.2.1. For wired remote controller

#### 1) Two wired remote controllers setting

If two wired remote controllers are connected, set one to "Main" and the other to "Sub".

For setting procedures, refer to "Function selection of remote controller" in the operation manual for the indoor unit.

**Note:**

When connecting two remote controllers, be sure to use the same model of remote controller.



## 6. Electrical work

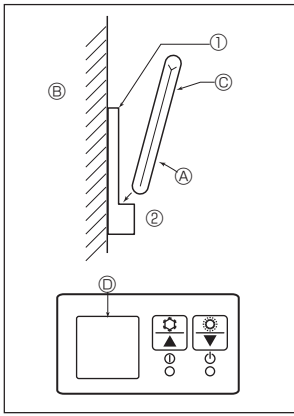


Fig. 6-3

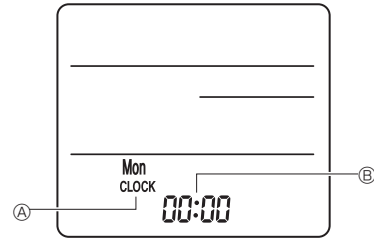


Fig. 6-4

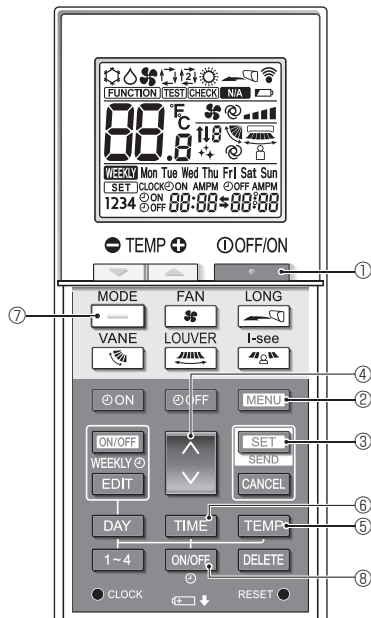


Fig. 6-5

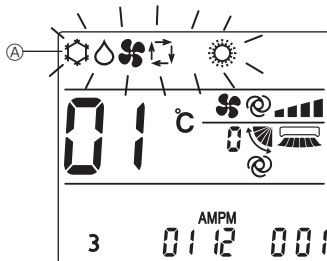


Fig. 6-6

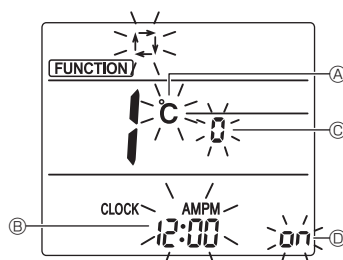


Fig. 6-7

### 6.2.2. For wireless remote controller

#### 1) Installation area

- Area in which the remote controller is not exposed to direct sunshine.
- Area in which there is no nearby heating source.
- Area in which the remote controller is not exposed to cold (or hot) winds.
- Area in which the remote controller can be operated easily.
- Area in which the remote controller is beyond the reach of children.

#### 2) Installation method (Fig. 6-3)

- ① Attach the remote controller holder to the desired location using 2 tapping screws.
- ② Place the lower end of the controller into the holder.

Ⓐ Remote controller Ⓑ Wall Ⓒ Display panel Ⓓ Receiver

- The signal can travel up to approximately 7 meters (in a straight line) within 45 degrees to both right and left of the center line of the receiver.

#### 3) Setting (Clock setting) (Fig. 6-4)

- ① Insert batteries or press the **CLOCK** button with something sharp. [CLOCK] Ⓐ and [:] Ⓑ blinks.

- ② Press the **RESET** button with something sharp.

- ③ Press the **UP** button to set the time.

Press the **DAY** button to set the Day.

- ④ Press the **CLOCK** button with something sharp at the end. [CLOCK] and [:] lighted.

#### 4) Mode display setting (to cooling only setting)

(The factory setting is "COOL/DRYING/AUTO/FAN/HEAT")

1. Press the **MODE** button ① to stop the air conditioner.

2. Press the **SET** button ③ in 5 seconds. Model setting screen will be displayed.

3. Press the **MODE** button ①. Operation mode Ⓐ blinks. (Fig. 6-5)

4. Press the **UP** button ④ to change setting No.

5. Check that setting No. "6" is displayed and only **ON** **OFF** **AMPM** blink at operation mode Ⓐ, then press the **SET** button ③ in 5 seconds.

#### 5) Initial setting

The following settings can be made in the initial setting mode.

Item	Setting	Fig. 6-7
Temperature unit	°C/°F	Ⓐ
Time display	12-hour format/24-hour format	Ⓑ
Pair No.	0-3	Ⓒ
Backlight	On/Off	Ⓓ

#### 5-1. Switching to the initial setting mode

1. Press the **MODE** button ① to stop the air conditioner.

2. Press the **MENU** button ②.

The Function setting screen will be displayed and the function No. Ⓐ will blink. (Fig. 6-6)

Press the **UP** button ④ to change the function No.

3. Check that function No. "1" is displayed, and then press the **SET** button ③.

The display setting screen will be displayed. (Fig. 6-7)

#### 5-2. Changing the temperature unit Ⓐ

- Press the **TEMP** button ⑤.

Each time the **TEMP** button ⑤ is pressed, the setting switches between **C** and **F**.

**C**: The temperature is displayed in degrees Celsius.

**F**: The temperature is displayed in degrees Fahrenheit.

#### 5-3. Changing the time display Ⓑ

- Press the **TIME** button ⑥.

Each time the **TIME** button ⑥ is pressed, the setting switches between **12:00** and **24:00**.

**12:00**: The time is displayed in the 12-hour format.

**24:00**: The time is displayed in the 24-hour format.

#### 5-4. Changing the pair No. Ⓒ

- Press the **UP** button ④.

Each time the **UP** button ④ is pressed, the pair No. 0-3 changes.

Pair No. of wireless remote controller	Indoor PC board
0	Initial setting
1	Cut J41
2	Cut J42
3	Cut J41, J42

#### 5-5. Changing the backlight setting Ⓓ

- Press the **ON/OFF** button ⑧.

Each time the **ON/OFF** button ⑧ is pressed, the setting switches between **on** and **off**.

**on**: The backlight comes on when a button is pressed.

**off**: The backlight does not come on when a button is pressed.

## 6. Electrical work

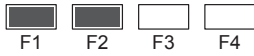
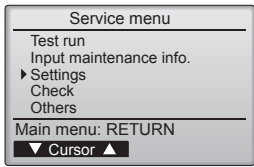


Fig. 6-8

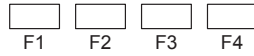
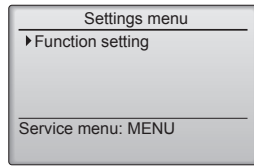


Fig. 6-9

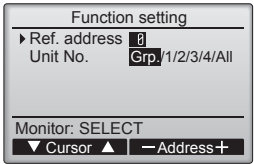


Fig. 6-10

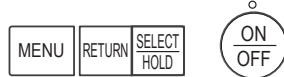
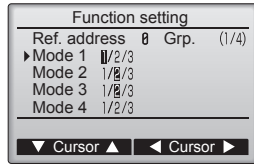


Fig. 6-11

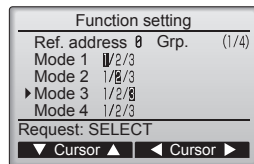


Fig. 6-12

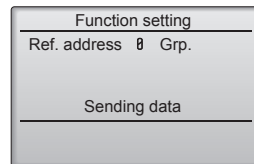


Fig. 6-13

### 6.3. Function settings

#### 6.3.1. By wired remote controller

- ① (Fig. 6-8)
  - Select "Service" from the Main menu, and press the [SELECT/HOLD] button.
  - Select "Settings" from the Service menu, and press the [SELECT/HOLD] button.

- ② (Fig. 6-9)
  - Select "Function settings" with the [SELECT/HOLD] button.

- ③ (Fig. 6-10)
  - Set the indoor unit refrigerant addresses and unit numbers with the [F1] through [F4] buttons, and then press the [SELECT/HOLD] button to confirm the current setting.

#### <Checking the Indoor unit No.>

When the [SELECT/HOLD] button is pressed, the target indoor unit will start fan operation. If the unit is common or when running all units, all indoor units for the selected refrigerant address will start fan operation.

- ④ (Fig. 6-11)
  - When data collection from the indoor units is completed, the current settings appears highlighted. Non-highlighted items indicate that no function settings are made. Screen appearance varies depending on the "Unit No." setting.

- ⑤ (Fig. 6-12)
  - Use the [F1] or [F2] button to move the cursor to select the mode number, and change the setting number with the [F3] or [F4] button.

- ⑥ (Fig. 6-13)
  - When the settings are completed, press the [SELECT/HOLD] button to send the setting data from the remote controller to the indoor units.
  - When the transmission is successfully completed, the screen will return to the Function setting screen.

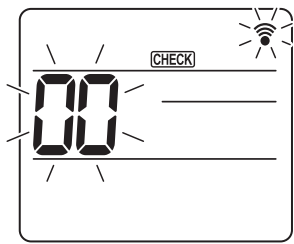


Fig. 6-14

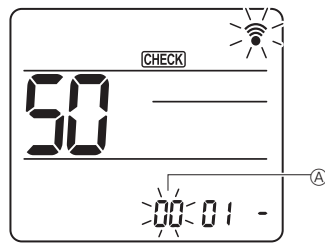


Fig. 6-15

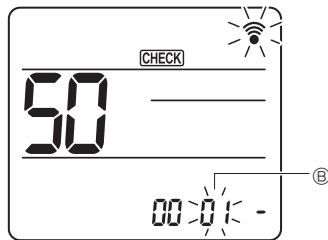


Fig. 6-16

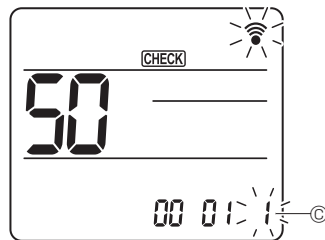


Fig. 6-17

### 6.3.2. By wireless remote controller

- ① Going to the function select mode  
Press the **MENU** button between of 5 seconds.  
(Start this operation from the status of remote controller display turned off.)  
[CHECK] is lighted and "00" blinks. (Fig. 6-14)  
Press the **↑** button to set the "50".  
Direct the wireless remote controller toward the receiver of the indoor unit and press the **SET** button.
- ② Setting the unit number  
Press the **↑** button to set unit number **A**. (Fig. 6-15)  
Direct the wireless remote controller toward the receiver of the indoor unit and press the **SET** button.
- ③ Select a mode  
Press the **↓** button to set Mode number **B**. (Fig. 6-16)  
Direct the wireless remote controller toward the receiver of the indoor unit and press the **SET** button.  
Current setting number:
 

1=1 beep (1 second)
2=2 beep (1 second each)
3=3 beep (1 second each)
- ④ Selecting the setting number  
Use the **↓** button to change the Setting number **C**. (Fig. 6-17)  
Direct the wireless remote controller toward the receiver of the indoor unit and press the **SET** button.
- ⑤ To select multiple functions continuously  
Repeat select ③ and ④ to change multiple function settings continuously.
- ⑥ Complete function selection  
Direct the wireless remote controller toward the sensor of the indoor unit and press the **OFF/ON** button.

#### Note:

Make the above settings on units as necessary.

- Table 1 summarizes the setting options for each mode number.
- Be sure to write down the settings for all functions if any of the initial settings has been changed after the completion of installation work.

## 6. Electrical work

### Function table

Select unit number "Grp."

Mode	Settings	Mode no.	Setting no.	Initial setting	setting
Power failure automatic recovery	Not available	01	1		
	Available *1		2	O *2	
Indoor temperature detecting	Indoor unit operating average	02	1	O	
	Set by indoor unit's remote controller		2		
	Remote controller's internal sensor		3		
LOSSNAY connectivity	Not Supported	03	1	O	
	Supported (indoor unit is not equipped with outdoor-air intake)		2		
	Supported (indoor unit is equipped with outdoor-air intake)		3		
Power voltage	230 V	04	1	O	
	208 V		2		

Select unit numbers 1 to 4 or "All"

Mode	Settings	Mode no.	Setting no.	Initial setting	setting
Filter sign	100 Hr	07	1		
	2500 Hr		2	O	
	No filter sign indicator		3		
Fan speed	Silent	08	1		
	Standard		2	O	
	High ceiling		3		
Installed options (high efficiency filter)	Not supported	10	1	O	
	Supported		2		
Up/down vane setting	No vanes	11	1		
	Equipped with vanes (vaner angle setup ①)		2	O	
	Equipped with vanes (vaner angle setup ②)		3		
Fan speed during the cooling thermostat is OFF	Setting fan speed	27	1		
	Stop		2		
	Extra low		3	O	

\*1 When the power supply returns, the air conditioner will start 3 minutes later.

\*2 Power failure automatic recovery initial setting depends on the connecting outdoor unit.

## 6. Electrical work

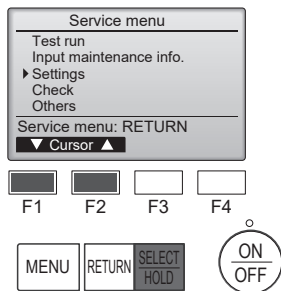


Fig. 6-18

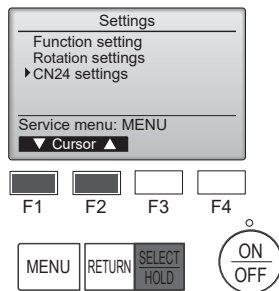


Fig. 6-19

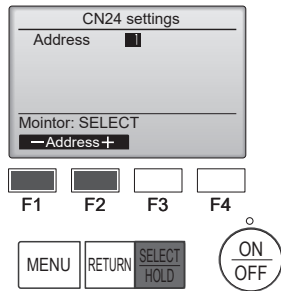


Fig. 6-20

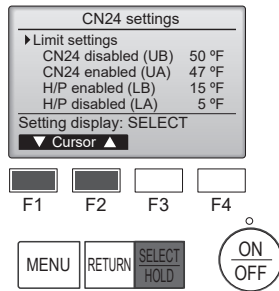


Fig. 6-21

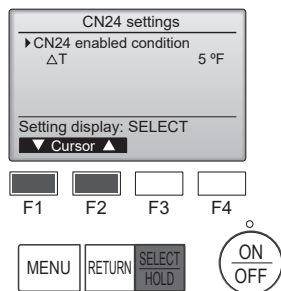


Fig. 6-22

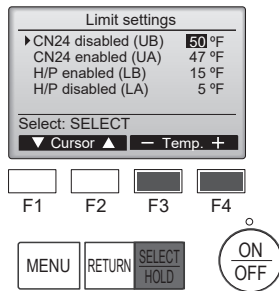


Fig. 6-23

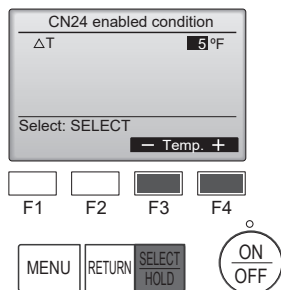


Fig. 6-24

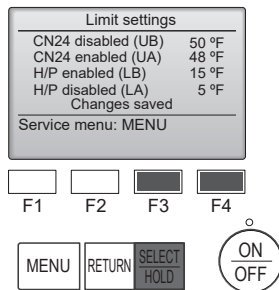


Fig. 6-25

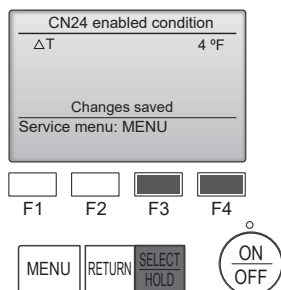


Fig. 6-26

### 6.4 CN24 settings (Mass save settings)

- Heat Pump auto ON/OFF setting depend on Outdoor temperature
- Heater via CN24 auto ON/OFF setting depend on Outdoor temperature or difference between setting temp. and indoor ambient temperature.

① (Fig.6-18)

- Select "Service" from the Main menu, and press the [SELECT/HOLD] button.
- Select "Settings" with the [F1] or [F2] button, and press the [SELECT/HOLD] button.

② (Fig.6-19)

- Select "CN24 settings" with the [F1] or [F2] button, and press the [SELECT/HOLD] button.

③ (Fig.6-20)

- Set the indoor unit refrigerant address with the [F1] or [F2] button, then press the [SELECT/HOLD] button.

④ (Fig.6-21, 6-22)

- Select "Limit settings" or "CN24 ON condition" with the [F1] or [F2] button and press the [SELECT/HOLD] button.

⑤ (Fig.6-24, 6-26)

- Set  $\Delta T$ (difference between ambient temp. and setting temp.) with [F3] or [F4] button and press the [SELECT/HOLD] button.

⑥ (Fig.6-23, 6-25)

- Set UB, UA, LB, LA with [F3] or [F4] button and press the [SELECT/HOLD] button.

Connected outdoor unit	UB		UA		LB		LA	
	Setting range	Default	Setting range	Default	Setting range	Default	Setting range	Default
PUZ-A**	32°F ~ 70°F	47°F	23°F ~ 61°F	38°F	-27°F ~ 52°F	-	-36°F ~ 43°F	-
PUZ-HA**	32°F ~ 70°F	47°F	23°F ~ 61°F	38°F	-27°F ~ 52°F	-	-36°F ~ 43°F	-
SUZ-KA09/12/15/18/24/30/36NA2	32°F ~ 70°F	47°F	23°F ~ 61°F	38°F	14°F ~ 52°F	-	5°F ~ 43°F	-
SUZ-KA09/12/15/18/24/30/36NAHZ	32°F ~ 70°F	47°F	23°F ~ 61°F	38°F	14°F ~ 52°F	-	5°F ~ 43°F	-
MXZ	32°F ~ 70°F	47°F	23°F ~ 61°F	38°F	14°F ~ 52°F	-	5°F ~ 43°F	-

\*If outdoor unit not listed above table, please refer to outdoor IM for details.

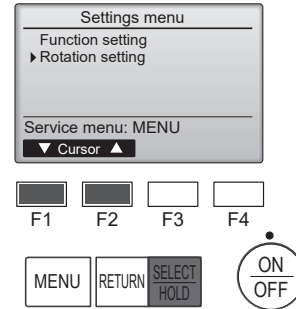
en

## 6. Electrical work

### 6.5. Rotation setting

You can set these functions by wired remote controller. (Maintenance monitor)

- ① Select "Service" from the Main menu, and press the [SELECT/HOLD] button.
- ② Select "Settings" with the [F1] or [F2] button, and press the [SELECT/HOLD] button.
- ③ Select "Rotation setting" with the [F1] or [F2] button, and press the [SELECT/HOLD] button.



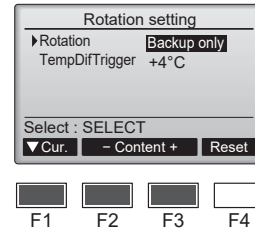
- ④ Set the rotation function.
  - Select "Rotation" with the [F1] button.
  - Select the switching period or "Backup only" with the [F2] or [F3] button.

#### ■ "Rotation" setup options

None, 1 day, 3 days, 5 days, 7 days, 14 days, 28 days, Backup only

Notes:

- When 1 to 28 days are selected from the setup options, the backup function is also enabled.
- When "Backup only" is selected, the rotation function will be disabled. The systems with refrigerant addresses of 00 or 01 (00 system/ 01 system) will be operated as a main system while the 02 system is the standby mode as backup.



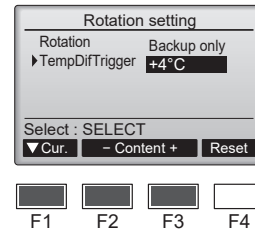
- ⑤ Set the support function.
  - Select "TempDifTrigger" with the [F1] button.
  - Select the difference between the suction temperature and the set temperature with the [F2] or [F3] button.

#### ■ "TempDifTrigger" setup options

None, +4°C, +6°C, +8°C

Notes:

- The support function is available only in the COOL mode. (Not available in the HEAT, DRY and AUTO mode.)
- The support function is enabled when any option other than "None" is selected from the "Rotation" setup options.



- ⑥ Press the [SELECT/HOLD] button to update the setting.

#### Reset method

- Press the [F4] button in step ④ or ⑤ to reset the operation time of the rotation function. Once it is reset, operation will start from the systems with refrigerant addresses of 00 or 01.

Note: When the system with refrigerant address of 02 is in the backup operation, the 00 or 01 systems will be operated again.



## 7. Test run

### 7.1. Before test run

- ▶ After completing installation and the wiring and piping of the indoor and outdoor units, check for refrigerant leakage, looseness in the power supply or control wiring, wrong polarity, and no disconnection of one phase in the supply.
- ▶ Use a 500-volt megohmmeter to check that the resistance between the power supply terminals and ground is at least 1.0 MΩ.

▶ Do not carry out this test on the control wiring (low voltage circuit) terminals.  
 ⚠ Warning:  
 Do not use the air conditioner if the insulation resistance is less than 1.0 MΩ.

### 7.2. Test run

#### 7.2.1. Using wired remote controller

- Make sure to read operation manual before test run. (Especially items to secure safety)

##### Step 1 Turn on the power.

- Remote controller: The system will go into startup mode, and the remote controller power lamp (green) and "Please Wait" will blink. While the lamp and message are blinking, the remote controller cannot be operated. Wait until "Please Wait" is not displayed before operating the remote controller. After the power is turned on, "Please Wait" will be displayed for approximately 3 minutes.
  - Indoor controller board: LED 1 will be lit up, LED 2 will be lit up (if the address is 0) or off (if the address is not 0), and LED 3 will blink.
  - Outdoor controller board: LED 1 (green) and LED 2 (red) will be lit up. (After the startup mode of the system finishes, LED 2 will be turned off.) If the outdoor controller board uses a digital display, [- ] and [ - ] will be displayed alternately every second.
- If the operations do not function correctly after the procedures in step 2 and thereafter are performed, the following causes should be considered and eliminated if they are found.  
 (The symptoms below occur during the test run mode. "Startup" in the table means the LED display written above.)

Symptoms in test run mode		Cause
Remote Controller Display	OUTDOOR BOARD LED Display < > indicates digital display.	
Remote controller displays "Please Wait", and cannot be operated.	After "startup" is displayed, only green lights up. <00>	• After power is turned on, "Please Wait" is displayed for 3 minutes during system startup. (Normal)
After power is turned on, "Please Wait" is displayed for 3 minutes, then error code is displayed.	After "startup" is displayed, green (once) and red (once) blink alternately. <F1>	• Incorrect connection of outdoor terminal block (L1, L2, GR and S1, S2, S3.)
	After "startup" is displayed, green (once) and red (twice) blink alternately. <F3, F5, F9>	• Outdoor unit's protection device connector is open.
No display appears even when remote controller operation switch is turned on. (Operation lamp does not light up.)	After "startup" is displayed, green (twice) and red (once) blink alternately. <EA, Eb>	• Incorrect wiring between the indoor and outdoor unit (Polarity is wrong for S1, S2, S3.) • Remote controller transmission wire short.
	After "startup" is displayed, only green lights up. <00>	• There is no outdoor unit of address 0. (Address is other than 0.) • Remote controller transmission wire open.
Display appears but soon disappears even when remote controller is operated.	After "startup" is displayed, only green lights up. <00>	• After canceling function selection, operation is not possible for about 30 seconds. (Normal)

##### Step 2 Switch the remote controller to "Test run".

- ① Select "Test run" from the Service menu, and press the [SELECT/HOLD] button. (Fig. 7-1)
- ② Select "Test run" from the Test run menu, and press the [SELECT/HOLD] button. (Fig. 7-2)
- ③ The test run operation starts, and the Test run operation screen is displayed.

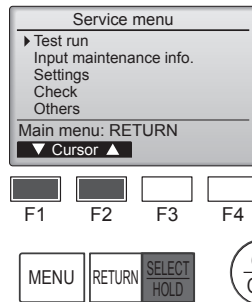


Fig. 7-1

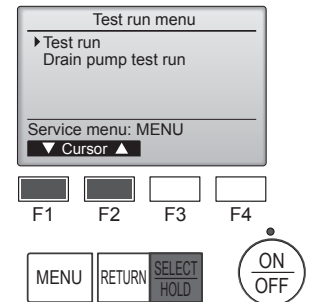


Fig. 7-2

##### Step 3 Perform the test run and check the airflow temperature and auto vane.

- ① Press the [F1] button to change the operation mode. (Fig. 7-3)  
 Cooling mode: Check that cool air blows from the unit.  
 Heating mode: Check that warm air blows from the unit.
- ② Press the [SELECT/HOLD] button to display the Vane operation screen, and then press the [F1] and [F2] buttons to check the auto vane. (Fig. 7-4)  
 Press the [RETURN] button to return to the Test run operation screen.

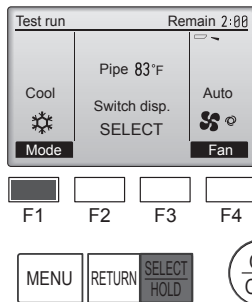


Fig. 7-3

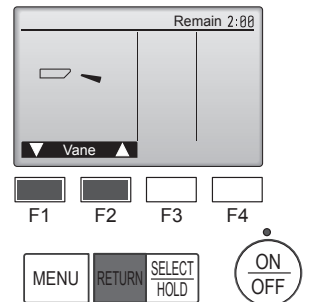


Fig. 7-4

## 7. Test run

### Step 4 Confirm the operation of the outdoor unit fan.

The speed of the outdoor unit fan is controlled in order to control the performance of the unit. Depending on the ambient air, the fan will rotate at a slow speed and will keep rotating at that speed unless the performance is insufficient. Therefore, the outdoor wind may cause the fan to stop rotating or to rotate in the opposite direction, but this is not a problem.

### Step 5 Stop the test run.

① Press the [ON/OFF] button to stop the test run. (The Test run menu will appear.)

Note: If an error is displayed on the remote controller, see the table below.

LCD	Description of malfunction	LCD	Description of malfunction	LCD	Description of malfunction
P1	Intake sensor error	P9	Pipe sensor error (dual-wall pipe)	E0 – E5	Communication error between the remote controller and the indoor unit
P2	Pipe sensor error (liquid pipe)	PA	Leakage error (refrigerant system)		
P4	Drain float switch connector disconnected (CN4F)	Pb	Indoor unit fan motor error		
P5	Drain overflow protection operation	PL	Refrigerant circuit abnormal	E6 – EF	Communication error between the indoor unit and the outdoor unit
P6	Freezing/overheating protection operation	FB	Indoor controller board error		
P8	Pipe temperature error	U*, F* (* indicates an alphanumeric character excluding FB.)	Outdoor unit malfunction Refer to the wiring diagram for the outdoor unit.		

See the table below for the details of the LED display (LED 1, 2, and 3) on the indoor controller board.

LED 1 (microcomputer power supply)	Indicates whether control power is supplied. Make sure that this LED is always lit.
LED 2 (remote controller power supply)	Indicates whether power is supplied to the wired remote controller. The LED is lit only for the indoor unit that is connected to the outdoor unit that has an address of 0.
LED 3 (indoor/outdoor unit communication)	Indicates whether the indoor and outdoor units are communicating. Make sure that this LED is always blinking.

### 7.2.2. Using wireless remote controller

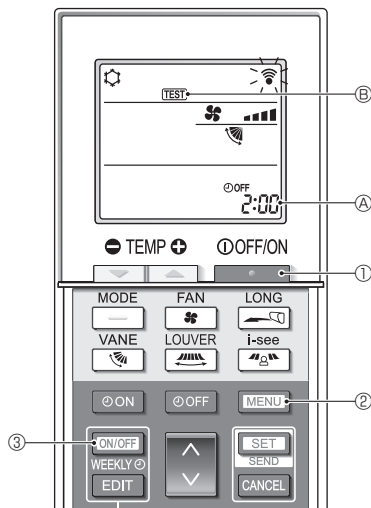


Fig. 7-5

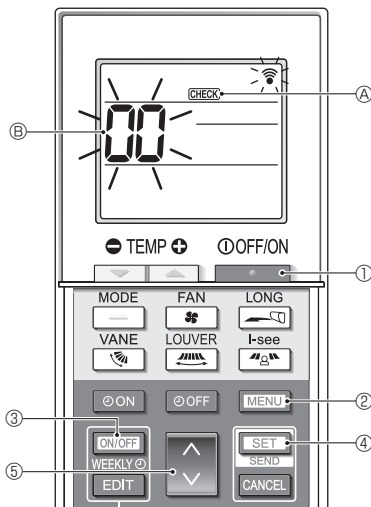


Fig. 7-6

#### ■ Test run (Fig. 7-5)

- Press the **ON/OFF** button ① to stop the air conditioner.
  - If the weekly timer is enabled (**WEEKLY** is on), press the **ON/OFF WEEKLY** button ③ to disable it (**WEEKLY** is off).
- Press the **MENU** button ② for 5 seconds.
  - CHECK** comes on and the unit enters the service mode.
- Press the **MENU** button ②.
  - TEST** ④ comes on and the unit enters the test run mode.
- Press the following buttons to start the test run.
  - MODE**: Switch the operation mode between cooling and heating and start the test run.
  - FAN**: Switch the fan speed and start the test run.
  - LONG**: Switch the airflow direction and start the test run.
  - LOUVER**: Switch the louver and start the test run.
  - SET**: Start the test run.
- Stop the test run.
  - Press the **ON/OFF** button ① to stop the test run.
  - After 2 hours, the stop signal is transmitted.

#### ■ Self-check (Fig. 7-6)

- Press the **ON/OFF** button ① to stop the air conditioner.
  - If the weekly timer is enabled (**WEEKLY** is on), press the **ON/OFF WEEKLY** button ③ to disable it (**WEEKLY** is off).
- Press the **MENU** button ② for 5 seconds.
  - CHECK** ④ comes on and the unit enters the self-check mode.
- Press the **MODE** button ④ to select the refrigerant address (M-NET address) ⑤ of the indoor unit for which you want to perform the self-check.
- Press the **SET** button ④.
  - If an error is detected, the check code is indicated by the number of beeps from the indoor unit and the number of blinks of the OPERATION INDICATOR lamp.
- Press the **ON/OFF** button ①.
  - CHECK** ④ and the refrigerant address (M-NET address) ⑤ go off and the self-check is completed.

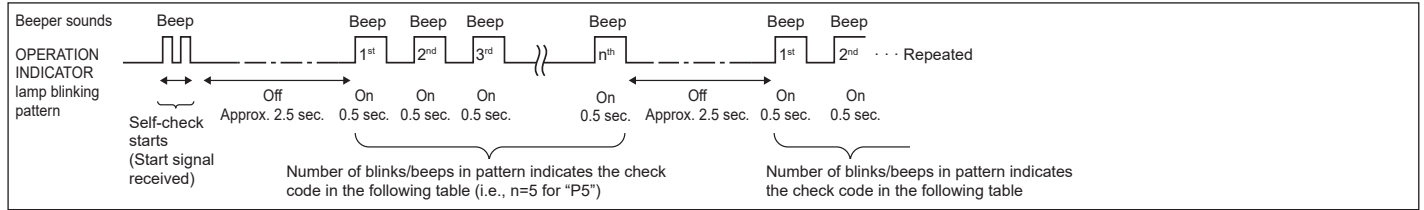
## 7. Test run

### 7.3. Self-check

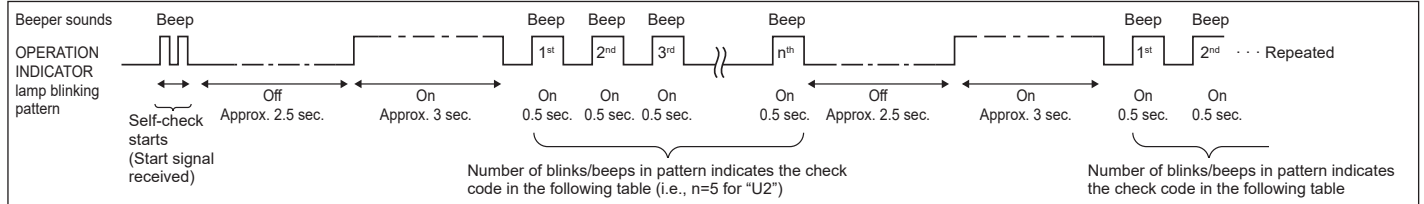
■ Refer to the installation manual that comes with each remote controller for details.

• Refer to the following tables for details on the check codes. (Wireless remote controller)

[Output pattern A]



[Output pattern B]



[Output pattern A] Errors detected by indoor unit

Wireless remote controller	Wired remote controller RF thermostat	Symptom	Remark
Beeper sounds/OPERATION INDICATOR lamp blinks (Number of times)	Check code		
1	P1	Intake sensor error	
2	P2	Pipe (TH2) sensor error	
	P9	Pipe (TH5) sensor error	
3	E6, E7	Indoor/outdoor unit communication error	
4	P4	Drain sensor error / Float switch connector open	
5	P5	Drain pump error	
	PA	Forced compressor error	
6	P6	Freezing/Overheating protection operation	
7	EE	Communication error between indoor and outdoor units	
8	P8	Pipe temperature error	
9	E4	Remote controller signal receiving error	
10	—	—	
11	PB (Pb)	Indoor unit fan motor error	
12	FB (Fb)	Indoor unit control system error (memory error, etc.)	
14	PL	Refrigerant circuit abnormal	
No sound	E0, E3	Remote controller transmission error	
No sound	E1, E2	Remote controller control board error	
No sound	— — — —	No corresponding	

[Output pattern B] Errors detected by unit other than indoor unit (outdoor unit, etc.)

Wireless remote controller	Wired remote controller RF thermostat	Symptom	Remark
Beeper sounds/OPERATION INDICATOR lamp blinks (Number of times)	Check code		
1	E9	Indoor/outdoor unit communication error (Transmitting error) (Outdoor unit)	For details, check the LED display of the outdoor controller board.
2	UP	Compressor overcurrent interruption	
3	U3, U4	Open/short of outdoor unit thermistors	
4	UF	Compressor overcurrent interruption (When compressor locked)	
5	U2	Abnormal high discharging temperature/49C worked/insufficient refrigerant	
6	U1, Ud	Abnormal high pressure (63H worked)/Overheating protection operation	
7	U5	Abnormal temperature of heat sink	
8	U8	Outdoor unit fan protection stop	
9	U6	Compressor overcurrent interruption/Abnormal of power module	
10	U7	Abnormality of super heat due to low discharge temperature	
11	U9, UH	Abnormality such as overvoltage or voltage shortage and abnormal synchronous signal to main circuit/Current sensor error	
12	—	—	
13	—	—	
14	Others	Other errors (Refer to the technical manual for the outdoor unit.)	

\*1 If the beeper does not sound again after the initial 2 beeps to confirm the self-check start signal was received and the OPERATION INDICATOR lamp does not come on, there are no error records.

\*2 If the beeper sounds 3 times continuously “beep, beep, beep (0.4 + 0.4 + 0.4 sec.)” after the initial 2 beeps to confirm the self-check start signal was received, the specified refrigerant address is incorrect.

- On wireless remote controller  
The continuous buzzer sounds from receiving section of indoor unit.  
Blink of operation lamp
- On wired remote controller  
Check code displayed in the LCD.

## 7. Test run

- If the unit cannot be operated properly after test run, refer to the following table to find the cause.

Symptom		Cause
Wired remote controller	LED 1, 2 (PCB in outdoor unit)	
PLEASE WAIT	For about 3 minutes after power-on	After LED 1, 2 are lighted, LED 2 is turned off, then only LED 1 is lighted. (Correct operation)
PLEASE WAIT → Error code	Subsequent to about 3 minutes after power-on	•For about 3 minutes after power-on, operation of the remote controller is not possible due to system start-up. (Correct operation)
Display messages do not appear even when operation switch is turned ON (operation lamp does not light up).		Only LED 1 is lighted. → LED 1, 2 blink.
		•Connector for the outdoor unit's protection device is not connected. Reverse or open phase wiring for the outdoor unit's power terminal block (L1, L2, GR)
		•Incorrect wiring between indoor and outdoor units (incorrect polarity of S1, S2, S3) •Remote controller wire short

On the wireless remote controller with condition above, following phenomena take place.

- No signals from the remote controller are accepted.
- Operation lamp is blinking.
- The buzzer makes a short ping sound.

**Note:**

**Operation is not possible for about 30 seconds after cancellation of function selection. (Correct operation)**

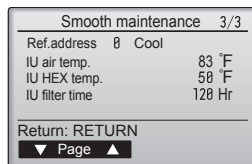
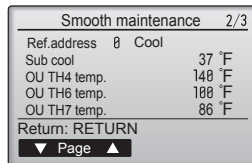
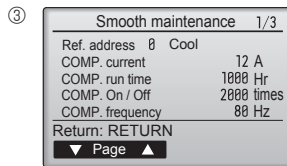
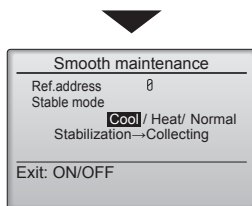
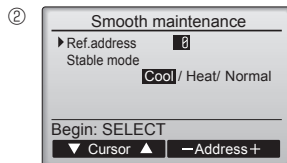
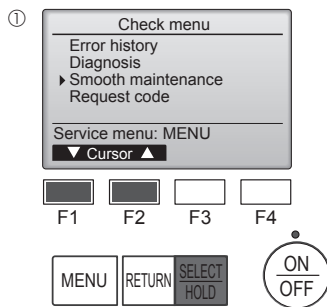
For description of each LED (LED1, 2, 3) provided on the indoor controller, refer to page 15.

## 8. Easy maintenance function

Maintenance data, such as the indoor/outdoor unit's heat exchanger temperature and compressor operation current can be displayed with "Smooth maintenance".

\* This cannot be executed during test operation.

\* Depending on the combination with the outdoor unit, this may not be supported by some models.



- Select "Service" from the Main menu, and press the [SELECT/HOLD] button.
- Select "Check" with the [F1] or [F2] button, and press the [SELECT/HOLD] button.
- Select "Smooth maintenance" with the [F1] or [F2] button, and press the [SELECT/HOLD] button.

### Select each item.

- Select the item to be changed with the [F1] or [F2] button.
- Select the required setting with the [F3] or [F4] button.
- "Ref. address" setting ..... "0" - "15"
- "Stable mode" setting..... "Cool" / "Heat" / "Normal"
- Press the [SELECT/HOLD] button, fixed operation will start.
- \* Stable mode will take approx. 20 minutes.

The operation data will appear.

The Compressor-Accumulated operating (COMP. run) time is 10-hour unit, and the Compressor-Number of operation times (COMP. On/Off) is a 100-time unit (fractions discarded)

### Navigating through the screens

- To go back to the Service menu.....[MENU] button
- To return to the previous screen ..... [RETURN] button

1. Consignes de sécurité.....	1	5. Mise en place du tuyau d'écoulement.....	6
2. Emplacement pour l'installation.....	3	6. Installations électriques.....	6
3. Installation de l'appareil intérieur.....	3	7. Marche d'essai.....	14
4. Installation de la tuyauterie du réfrigérant.....	5	8. Fonction d'entretien aisé.....	18

## Remarque:

Dans le présent manuel d'installation, l'expression "télécommande filaire" fait référence uniquement au modèle PAR-41MAA et le terme "télécommande sans fil" uniquement au modèle PAR-SL101A-E. Pour toute information relative à un autre modèle de télécommande, reportez-vous au manuel d'installation fourni avec la grille, qui comprend une télécommande, ou au manuel de réglage initial fourni avec la télécommande en option.

## 1. Consignes de sécurité

- ▶ Avant d'installer le climatiseur, lire attentivement toutes les "Consignes de sécurité".
- ▶ Les "Consignes de sécurité" reprennent des points très importants concernant la sécurité. Veillez bien à les suivre.
- ▶ Il est nécessaire de consulter ou d'obtenir l'autorisation de la compagnie d'électricité concernée avant de connecter le système.

### Symboles utilisés dans le texte

#### ⚠ Avertissement :

Précautions à suivre pour éviter tout danger de blessure ou de décès de l'utilisateur.

#### ⚠ Précaution :

Décrit les précautions qui doivent être prises pour éviter d'endommager l'appareil.

#### ⚠ Avertissement :

- Prendre soin de lire les étiquettes se trouvant sur l'appareil principal.
  - Contacter un revendeur ou un technicien agréé pour installer, déplacer et réparer l'appareil.
  - N'essayez jamais de réparer ou de déplacer vous-même l'appareil.
  - Pour l'installation et le déplacement, suivre les instructions fournies dans le manuel d'installation et utiliser des outils et des éléments de tuyauterie spécifiquement conçus pour l'utilisation avec le réfrigérant indiqué dans le manuel d'installation de l'appareil extérieur.
  - L'appareil doit être installé conformément aux instructions pour réduire les risques de dommages liés à des tremblements de terre, des typhons ou des vents violents. Une installation incorrecte peut entraîner la chute de l'appareil et provoquer des dommages ou des blessures.
  - Ne pas modifier l'appareil. Cela pourrait provoquer un risque d'incendie, d'électrocution, de blessure ou de fuite d'eau.
  - L'appareil doit être solidement installé sur une structure pouvant supporter son poids.
  - L'appareil sera stocké dans une zone bien ventilée où la taille des pièces correspond à la surface des pièces spécifiée pour le fonctionnement.
  - Si le climatiseur est installé dans une petite pièce ou dans un local fermé, certaines mesures doivent être prises pour éviter que la concentration de réfrigérant ne dépasse le seuil de sécurité en cas de fuite de réfrigérant. En cas de fuite de réfrigérant et de dépassement du seuil de concentration, des risques liés au manque d'oxygène dans la pièce peuvent survenir.
  - Tenir les appareils à gaz, les radiateurs électriques et autres sources d'incendie (sources d'inflammation) à l'écart des lieux où l'installation, les réparations et autres travaux sur le climatiseur seront effectués.
  - Tout contact du réfrigérant avec une flamme libère des gaz toxiques.
  - Aérer la pièce en cas de fuite de réfrigérant lors de l'utilisation. Le contact du réfrigérant avec une flamme peut provoquer des émanations de gaz toxiques.
  - Tout travail sur les installations électriques doit être effectué par un technicien qualifié conformément aux réglementations locales et aux instructions fournies dans ce manuel.
  - Ne pas utiliser de raccordement intermédiaire des fils électriques.
  - N'utiliser que les câbles spécifiés pour les raccordements. Les raccordements doivent être réalisés correctement sans tension sur les bornes. Ne jamais effectuer de jonction sur les câbles (sauf en cas d'indications contraires). Le non respect de cette consigne peut entraîner une surchauffe ou un incendie.
  - Lors de l'installation, du déplacement ou de l'entretien du climatiseur, n'utilisez que le réfrigérant indiqué sur l'appareil extérieur pour remplir les tuyaux de réfrigérant. Ne pas le mélanger avec un autre réfrigérant et faire le vide d'air dans les tuyaux. Si du réfrigérant est mélangé avec de l'air, cela peut provoquer des pointes de pression dans les tuyaux de réfrigérant et entraîner une explosion et d'autres risques.
- L'utilisation d'un réfrigérant différent de celui spécifié pour le climatiseur peut entraîner des défaillances mécaniques, des dysfonctionnements du système ou une panne de l'appareil. Dans le pire des cas, cela peut entraîner un obstacle à la mise en sécurité du produit.

### Symboles utilisés dans les illustrations

⊥ : Indique un élément qui doit être mis à la terre.

⊘ : À éviter absolument.

Une fois l'installation terminée, expliquer les "Consignes de sécurité", l'utilisation et l'entretien de l'appareil au client conformément aux informations du mode d'emploi et effectuer l'essai de fonctionnement en continu pour garantir un fonctionnement normal. Le manuel d'installation et le mode d'emploi doivent être fournis à l'utilisateur qui doit les conserver. Ces manuels doivent également être transmis aux nouveaux utilisateurs.

- L'appareil doit être installé conformément aux réglementations nationales relatives au câblage.
- Cet appareil n'est pas conçu pour être utilisé par des personnes (y compris des enfants) présentant des capacités physiques, sensorielles ou mentales réduites, ou manquant d'expérience et de connaissances, à moins qu'elles ne soient supervisées ou aient reçu des instructions relatives à l'utilisation de l'appareil par une personne responsable de leur sécurité.
- Les enfants doivent être surveillés pour s'assurer qu'ils ne jouent pas avec l'appareil.
- Le couvercle du bloc de sortie de l'appareil doit être solidement fixé.
- Si le cordon d'alimentation est endommagé, il doit être remplacé par le fabricant, ses revendeurs ou un technicien qualifié pour éviter tout danger de choc électrique.
- Utilisez uniquement des accessoires autorisés par Mitsubishi Electric et demandez à un revendeur ou à un technicien agréé de les installer. Si les accessoires ne sont pas correctement installés, une fuite d'eau, un choc électrique ou un incendie peut se produire.
- Une fois l'installation terminée, vérifier les éventuelles fuites de réfrigérant. Si le réfrigérant fuit dans la pièce et entre en contact avec la flamme d'un chauffage ou d'une cuisinière, des gaz toxiques peuvent se dégager.
- Ne faites usage d'aucun moyen visant à accélérer le processus de dégivrage ou à nettoyer autre que ceux recommandés par le fabricant.
- L'appareil doit être rangé dans une pièce ne contenant aucune source d'allumage continue (exemple : flammes nues, appareil à gaz ou chauffage électrique).
- Ne percez pas et ne brûlez pas l'appareil.
- Sachez que les réfrigérants peuvent être inodores.
- La tuyauterie doit être protégée contre tout dommage physique.
- L'installation de tuyauterie doit être limitée au strict minimum.
- Les réglementations nationales sur les gaz doivent être respectées.
- Gardez les ouvertures de ventilation libres d'obstruction.
- Ne pas utiliser d'alliage de soudure à basse température pour le brasage des tuyaux de réfrigérant.
- Lors de travaux de soudure, veiller à assurer une ventilation suffisante de la pièce. Veiller à ce qu'aucun matériau dangereux ou inflammable ne se trouve à proximité. Si le travail est effectué dans une pièce fermée, de petite taille ou un endroit similaire, vérifier l'absence de toute fuite de réfrigérant avant de commencer le travail. Si le réfrigérant fuit et s'accumule, il risque de s'enflammer et des gaz toxiques peuvent se dégager.
- Faites attention quand vous utilisez une source de chaleur auxiliaire et suivez toutes les instructions du fabricant tiers ainsi que les directives de sécurité pour l'installation et l'utilisation. Toute source de chaleur auxiliaire connectée à cette unité par la connexion CN24 doit être dotée d'un mécanisme de contrôle de la température indépendant. Tout manquement au montage et à l'entretien de ce mécanisme de contrôle de la température peut annuler la garantie de cette unité. Mitsubishi Electric n'acceptera aucune obligation de garantie ni aucune autre responsabilité en cas de dommage ou de perte en connexion avec ces chauffages auxiliaires tiers.



# 1. Consignes de sécurité

## 1.1. Avant l'installation (Environnement)

### ⚠ Précaution :

- Ne pas utiliser l'appareil dans un environnement inhabituel. Si le climatiseur est installé dans des endroits exposés à la vapeur, à l'huile volatile (notamment l'huile de machine), au gaz sulfurique ou à une forte teneur en sel, par exemple, en bord de mer, les performances peuvent considérablement diminuer et les pièces internes de l'appareil être endommagées.
- Ne pas installer l'appareil dans des endroits où des gaz de combustion peuvent s'échapper, se dégager ou s'accumuler. L'accumulation de gaz de combustion autour de l'appareil peut provoquer un incendie ou une explosion.
- Ne pas placer d'aliments, de plantes, d'animaux en cage, d'objets d'art ou d'instruments de précision dans la soufflerie d'air direct de l'appareil intérieur ou à proximité de l'appareil au risque de les endommager par des variations de température ou des gouttes d'eau.
- Si l'humidité ambiante dépasse 80% ou si le tuyau d'écoulement est bouché, des gouttes d'eau peuvent tomber de l'appareil intérieur. Ne pas installer l'appareil intérieur dans un endroit où ces gouttes peuvent provoquer des dommages.
- Lors de l'installation de l'appareil dans un hôpital ou un centre de communications, se préparer au bruit et aux interférences électroniques. Les inverseurs, les appareils électroménagers, les équipements médicaux haute fréquence et de communications radio peuvent provoquer un dysfonctionnement ou une défaillance du climatiseur. Le climatiseur peut également endommager les équipements médicaux et de communications, perturbant ainsi les soins et réduisant la qualité d'affichage des écrans.

## 1.2. Avant l'installation ou le déplacement

### ⚠ Précaution :

- Transporter les appareils avec précaution. L'appareil doit être transporté par au moins deux personnes, car il pèse 20 kg, 44 lbs minimum. Ne pas le saisir par les rubans d'emballage. Porter des gants de protection en raison du risque de se blesser les mains sur les ailettes ou d'autres pièces.
- Veiller à éliminer le matériel d'emballage en toute sécurité. Le matériel d'emballage (clous et autres pièces en métal ou en bois) peut provoquer des blessures.
- Isoler le tuyau de réfrigérant pour éviter la condensation. S'il n'est pas correctement isolé, de la condensation risque de se former.
- Placer un isolant thermique sur les tuyaux pour éviter la condensation. L'installation incorrecte du tuyau d'écoulement peut provoquer des fuites d'eau et endommager le plafond, le sol, les meubles ou d'autres objets.
- Ne pas nettoyer le climatiseur à l'eau au risque de provoquer un choc électrique.
- Serrer tous les écrous évasés conformément aux spécifications à l'aide d'une clé dynamométrique. S'ils sont trop serrés, ils peuvent casser après une période prolongée.
- Si l'appareil fonctionne pendant de nombreuses heures lorsque la température/le taux d'humidité de l'air au-dessus du plafond sont élevés (point de rosée supérieur à 26 °C, 79 °F), de la condensation peut se produire dans l'appareil intérieur ou dans les matériaux du plafond. Si les appareils doivent être utilisés dans ces conditions, ajoutez une couche d'isolation (10 à 20 mm, 25/64 - 25/32 pouces) sur toute la surface de l'appareil et du plafond pour éviter la condensation.

## 1.3. Avant l'installation électrique

### ⚠ Précaution :

- Veiller à installer des coupe-circuits. Dans le cas contraire, un choc électrique peut se produire.
- Pour les lignes électriques, utiliser des câbles standard de capacité suffisante. Dans le cas contraire, un court-circuit, une surchauffe ou un incendie peut se produire.
- Lors de l'installation des lignes électriques, ne pas mettre les câbles sous tension.
- Veiller à mettre l'appareil à la terre. Une mise à la terre incorrecte de l'appareil peut provoquer un choc électrique.
- Utiliser des coupe-circuits (disjoncteur de fuite à la terre, interrupteur d'isolement (fusible +B) et disjoncteur à boîtier moulé) à la capacité spécifiée. Si la capacité du coupe-circuit est supérieure à celle spécifiée, une défaillance ou un incendie peut se produire.

## 1.4. Avant la marche d'essai

### ⚠ Précaution :

- Activer l'interrupteur principal au moins 12 heures avant la mise en fonctionnement de l'appareil. L'utilisation de l'appareil juste après sa mise sous tension peut endommager sérieusement les pièces internes.
- Avant d'utiliser l'appareil, vérifier que tous les panneaux, toutes les protections et les autres pièces de sécurité sont correctement installés. Les pièces tournantes, chaudes ou à haute tension peuvent provoquer des blessures.
- Ne pas utiliser le climatiseur si le filtre à air n'est pas installé. Sinon, des poussières peuvent s'accumuler et endommager l'appareil.
- Ne pas toucher les interrupteurs les mains humides au risque de provoquer un choc électrique.
- Ne pas toucher les tuyaux de réfrigérant les mains nues lors de l'utilisation.
- A la fin de l'utilisation de l'appareil, attendre au moins cinq minutes avant de désactiver l'interrupteur principal. Dans le cas contraire, une fuite d'eau ou une défaillance peut se produire.

## 2. Emplacement pour l'installation

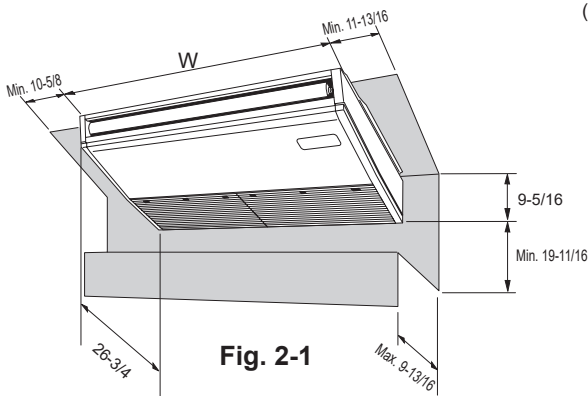


Fig. 2-1

(inch)

### 2.1. Dimensions externes (Appareil intérieur) (Fig. 2-1)

Choisir un emplacement approprié en prenant compte des espaces suivants pour l'installation et l'entretien.

(inch)

Modèles	W
A24, 30	50-3/8
A36, 42	63

#### ⚠ Avertissement:

Fixer l'appareil intérieur à un plafond suffisamment résistant pour supporter son poids.

### 2.2. Dimensions extérieures (Appareil extérieur)

Consulter le manuel d'installation de l'appareil extérieur.

## 3. Installation de l'appareil intérieur

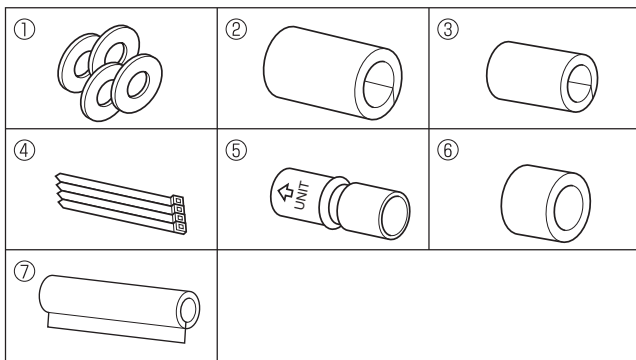


Fig. 3-1

### 3.1. Vérifier les accessoires qui accompagnent l'appareil intérieur (Fig. 3-1)

L'appareil intérieur devrait être fourni avec les pièces de rechange et accessoires suivants (se trouvent à l'intérieur de la grille d'aspiration).

	Nom de l'accessoire	Qté
①	Rondelle	4
②	Gaine protectrice de tuyau	1 grande taille (pour la tuyauterie à gaz)
③	Gaine protectrice de tuyau	1 petite taille (pour la tuyauterie à liquide)
④	Courroie	4
⑤	Douille	1 Marquée "UNIT" (APPAREIL)
⑥	Gaine de la douille	1
⑦	Gaine du tuyau d'évacuation	1

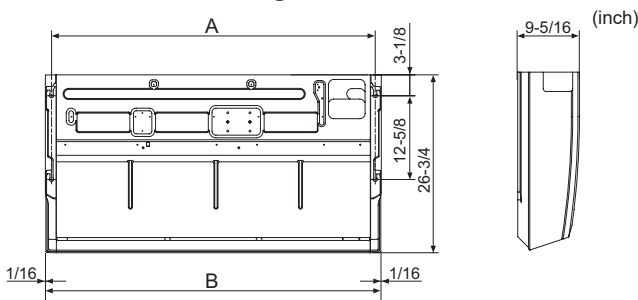


Fig. 3-2

### 3.2. Préparation à l'installation (Fig. 3-2)

#### 3.2.1. Espacement et installation du boulon de suspension

(inch)

Modèles	A	B
A24, 30	48-11/16	50-3/8
A36, 42	61-5/16	63

#### 3.2.2. Emplacement des tuyaux d'évacuation et du réfrigérant

- Ⓐ Sortie de la face avant
- Ⓑ Sortie du côté gauche
- Ⓒ Sortie du côté droit
- Ⓓ Pièce indépendante (peut être enlevé)
- Ⓔ Tuyau d'évacuation droit
- Ⓕ Tuyau d'évacuation gauche
- Ⓖ Tuyau à gaz
- Ⓗ Tuyau à liquide
- ⓫ Bouchon en caoutchouc
- ⓬ avec douille ⑤

Dans le cas de la préparation de la conduite arrière, s'assurer de retirer les parties ombrées de la pièce indépendante ⑨. Puis remettre la pièce indépendante ⑨ dans sa position initiale.

(L'échangeur thermique peut-être bouché par de la poussière)

#### 3.2.3. Sélection des boulons de suspension et des emplacements des tuyaux (Fig. 3-3)

##### ⚠ Attention:

Installer l'appareil intérieur à 8 ft. (2,4 m) au moins au-dessus du sol ou sur un plan surélevé. Ces appareils ne sont pas accessibles au grand public.

En vous servant du schéma fourni pour l'installation, choisissez les positions correctes pour les boulons de suspension et les tuyaux et préparez les orifices nécessaires.

- Ⓐ Schéma
- Ⓑ Orifice du boulon de suspension
- Ⓒ Largeur de l'appareil intérieur

Fixer les boulons de suspension de la manière décrite ci-dessous ou utiliser des aisseliers ou des carrés de bois pour l'installation des boulons.

- Ⓓ Utiliser des clavettes de 220 à 230 lbs (100 à 105 kg) chacune.
- Ⓔ Utiliser des boulons de suspension de taille W3/8 ou M10.

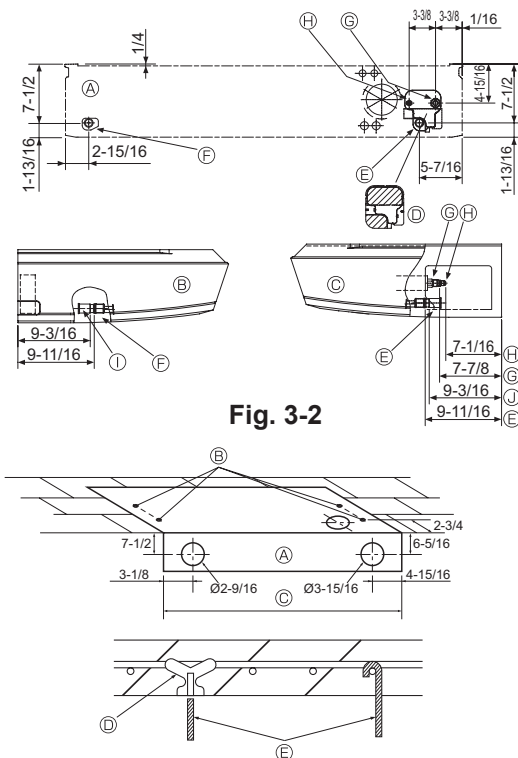


Fig. 3-3

### 3. Installation de l'appareil intérieur

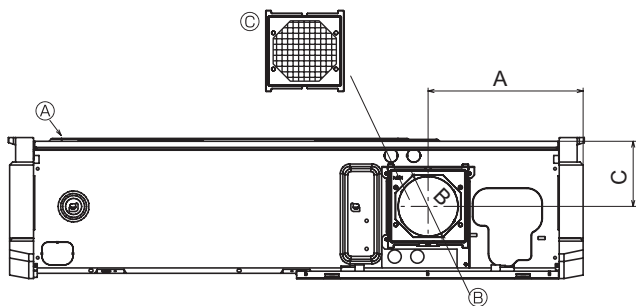


Fig. 3-4

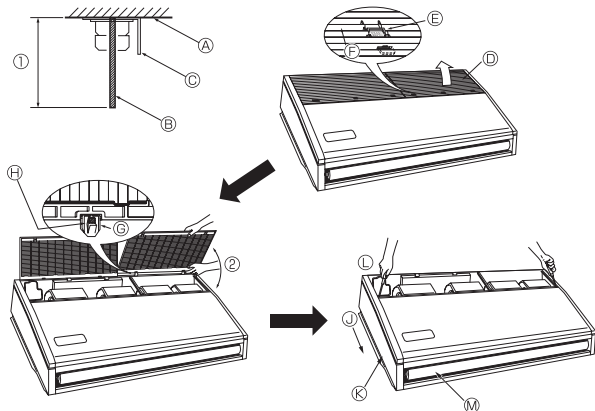


Fig. 3-5

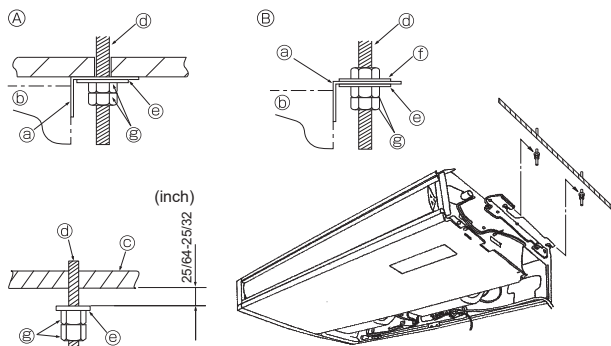


Fig. 3-6

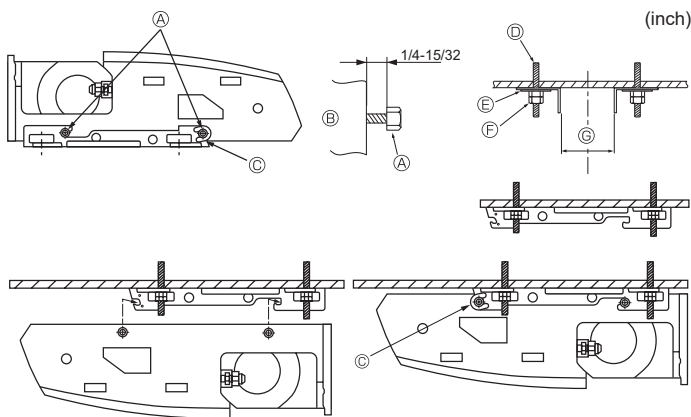


Fig. 3-7

#### 3.2.4. Entrée d'air frais (Fig. 3-4)

Au moment de l'installation, utiliser les orifices de conduite (défonçables) situés aux endroits indiqués dans le diagramme suivant en fonction des nécessités.

- Ⓐ Appareil intérieur
- Ⓑ Entrée d'air frais (orifice défonçable)
- Ⓒ Filtre

in. (mm)

A	B	C
10-3/16 (259,5)	ø 3-15/16 (ø 100)	4-5/16 (109)

#### 3.2.5. Préparation de l'appareil intérieur (Fig. 3-5)

- Installer les boulons de suspension (les boulons W3/8 ou M10 seront fournis localement).  
Déterminer d'avance la distance du plafond (Ⓐ à 3-15/16 inch près (100 mm)).  
Ⓐ Surface du plafond Ⓑ Boulon de suspension Ⓒ Support de suspension
- Retirer la grille d'aspiration.  
Faire glisser les boutons d'arrêt de la grille d'aspiration (à l'emplacement de 2 ou 3) vers l'arrière pour ouvrir la grille d'aspiration.
- Enlever le panneau latéral.  
Enlever les vis de fixation du panneau latéral (un de chaque côté, droit et gauche) puis faire glisser le panneau latéral vers l'avant pour l'enlever.  
Ⓓ Grille d'aspiration Ⓔ Faire glisser le panneau latéral vers l'avant.  
Ⓔ Bouton d'arrêt de la grille d'aspiration Ⓕ Panneau latéral  
Ⓕ Les faire glisser Ⓖ Enlever les vis de fixation du panneau latéral.  
Ⓖ Charnière Ⓗ Retirer la protection en vinyle des volets.  
Ⓗ Tout en poussant sur la charnière, retirer la grille d'aspiration.  
Ⓘ Ne jamais forcer pour ouvrir la grille d'arrivée d'air ni l'ouvrir dans un angle supérieur à 120° sinon vous risqueriez d'endommager les charnières.

#### 3.3. Installation de l'appareil intérieur (Fig. 3-6)

Utiliser la méthode de suspension applicable ci-dessous, selon la présence ou l'absence de matériaux de plafond.

- Ⓐ Si les matériaux de plafond sont présents
- Ⓑ S'il n'y a pas de matériaux de plafond
- Ⓒ Support de suspension
- Ⓓ Appareil
- Ⓔ Plafond
- Ⓕ Boulon de suspension
- Ⓖ Rondelle ①
- Ⓗ Rondelle (sera fourni localement)
- Ⓘ Ecrous doubles

##### 1) Suspending l'appareil directement

Méthodes d'installation

- Mettre en place la rondelle ① (fournie avec l'appareil) et les écrous (sera fourni localement).
- Accrocher l'appareil aux boulons de suspension.
- Serrer les écrous.

Vérifier la condition d'installation de l'appareil

- Vérifier que l'appareil est à l'horizontale entre les côtés droit et gauche.
- Vérifier que les supports de suspension avant et arrière sont à l'horizontale. (Pour favoriser l'écoulement, l'appareil est incliné sur les supports de suspension. L'appareil en pente régulière vers le bas de l'avant vers l'arrière correspond à la position d'installation appropriée.)

##### 2) Installer en premier le support de suspension au plafond (Fig. 3-7)

Méthodes d'installation

- Retirer les supports de suspension et les rondelles en forme de U de l'appareil.
  - Ajuster les boulons de fixation du support de suspension se trouvant sur l'appareil.
  - Attacher les supports de suspension aux boulons de suspension.
  - Vérifier que les supports de suspension sont à l'horizontale (avant et arrière/droite et gauche).
  - Accrocher l'appareil aux supports de suspension.
  - Serrez des verrous fixes des supports de la mise en suspension.
- ※ Soyez sûr d'avoir mis les rondelles en forme de U en place.

- Ⓐ Boulon de fixation du support de suspension
- Ⓑ Appareil
- Ⓒ Rondelle en forme de U
- Ⓓ Boulons de suspension
- Ⓔ Rondelle ①
- Ⓕ Ecrous doubles

(inch)

Ⓒ A24, 30	47 - 5/16
A36, 42	59 - 7/8

## 4. Installation de la tuyauterie du réfrigérant

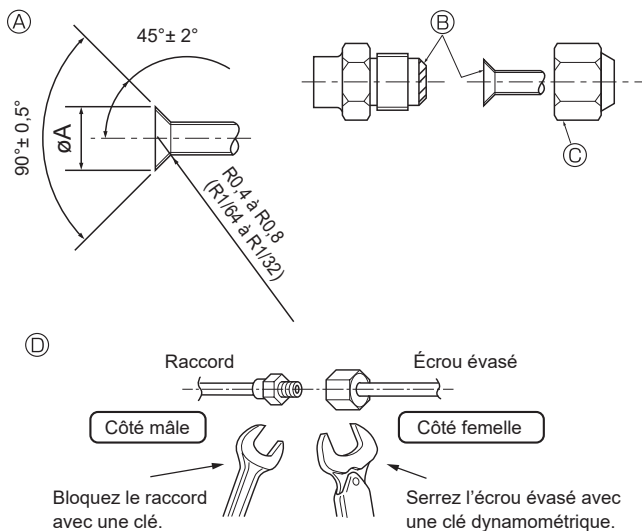


Fig. 4-1

① Dimension de l'évasement in. (mm)

Diam. ext. Tuyau en cuivre	Dimensions évasement Dimensions ØA
1/4" (ø6,35)	11/32-23/64 (8,7 - 9,1)
3/8" (ø9,52)	1/2-33/64 (12,8 - 13,2)
1/2" (ø12,7)	41/64-21/32 (16,2 - 16,6)
5/8" (ø15,88)	49/64-25/32 (19,3 - 19,7)
3/4" (ø19,05)	29/32-59/64 (22,9 - 23,3)

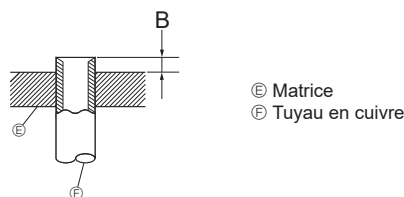


Fig. 4-2

Diam. ext. Tuyau en cuivre	B	
	Outil d'évasement pour le R410A	
	Type embrayage	
1/4" (ø6,35)	0-1/64 (0 - 0,5)	
3/8" (ø9,52)	0-1/64 (0 - 0,5)	
1/2" (ø12,7)	0-1/64 (0 - 0,5)	
5/8" (ø15,88)	0-1/64 (0 - 0,5)	
3/4" (ø19,05)	0-1/64 (0 - 0,5)	

in. (mm)

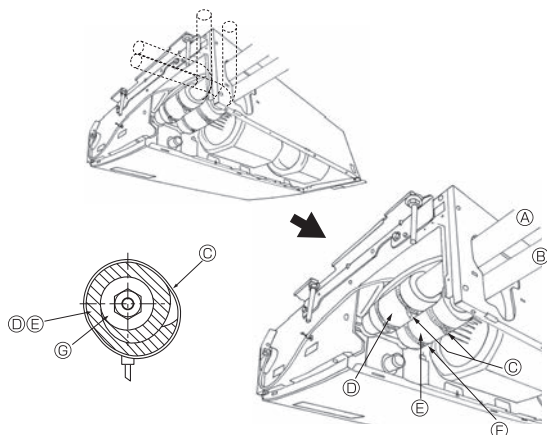


Fig. 4-3

### 4.1. Consignes

Pour les appareils utilisant le réfrigérant R410A

- Utilisez de l'huile alkylbenzène (en petite quantité) comme huile frigorigène sur les parties évasées.
- Utiliser le cuivre phosphoreux C1220, pour des tuyaux sans soudure en cuivre et en alliage de cuivre, pour raccorder les tuyaux de réfrigérant. Utiliser les tuyaux de réfrigérant dont l'épaisseur est spécifiée dans le tableau ci-dessous. Vérifier que l'intérieur des tuyaux est propre et dépourvu de tout agent nocif tel que des composés sulfuriques, des oxydants, des débris ou des saletés.

#### ⚠ Avertissement:

Lors de l'installation, du déplacement ou de l'entretien du climatiseur, n'utilisez que le réfrigérant indiqué sur l'appareil extérieur pour remplir les tuyaux de réfrigérant. Ne pas le mélanger avec un autre réfrigérant et faire le vide d'air dans les tuyaux.

Si du réfrigérant est mélangé avec de l'air, cela peut provoquer des pointes de pression dans les tuyaux de réfrigérant et entraîner une explosion et d'autres risques.

L'utilisation d'un réfrigérant différent de celui spécifié pour le climatiseur peut entraîner des défaillances mécaniques, des dysfonctionnements du système ou une panne de l'appareil. Dans le pire des cas, cela peut entraîner un obstacle à la mise en sécurité du produit.

in. (mm)

	A24, 30, 36, 42
Conduit de liquide	3/8" (ø9,52) épaisseur 1/32" (0,8)
Conduit de gaz	5/8" (ø15,88) épaisseur 3/64" (1,0)

- Ne pas utiliser de tuyaux plus fins que ceux spécifiés ci-dessus.

### 4.2. Connexion des tuyaux (Fig. 4-1)

- En cas d'utilisation de tuyaux en cuivre disponibles sur le marché, envelopper les tuyaux de liquide et de gaz avec de la matière isolante vendue dans le commerce sur le marché (résistant à une chaleur de 212°F (100 °C) ou supérieure et d'une épaisseur de 1/2 in. (12 mm) ou plus).
- Les parties intérieures du tuyau d'écoulement doivent également être entourées de matière isolante en mousse de polyéthylène (avec une poids spécifique de 0,03 et de 23/64 in. (9 mm) d'épaisseur ou plus).
- Évasez les extrémités des tuyaux de réfrigérant. ①
- Appliquez de l'huile de réfrigérant sur toute la surface évasée du fond. ②
- Utilisez les écrous évasés en procédant comme suit. ③
- Le raccordement est réalisé en alignant d'abord le centre puis en serrant les 3 ou 4 premiers tours de l'écrou de fixation à évasement.
- Utilisez 2 clés pour serrer les connexions des tuyaux. ④
- Utiliser la matière isolante des tuyaux de réfrigérant fournie afin d'envelopper les connexions des appareils intérieurs. Effectuer l'isolation avec soin.

#### Ⓞ Couple de serrage du raccord conique

Diam. ext. Tuyau en cuivre (mm, inch)	Diam. ext. raccord conique (mm, inch)	Couple de serrage (N-m, ft-lbs)
ø6,35, 1/4	17, 43/64	14-18, 10-13
ø6,35, 1/4	22, 7/8	34-42, 25-30
ø9,52, 3/8	22, 7/8	34-42, 25-30
ø12,7, 1/2	26, 1-3/64	49-61, 35-44
ø12,7, 1/2	29, 1-9/64	68-82, 49-59
ø15,88, 5/8	29, 1-9/64	68-82, 49-59
ø15,88, 5/8	36, 1-27/64	100-120, 71-86
ø19,05, 3/4	36, 1-27/64	100-120, 71-86

#### ⚠ Avertissement:

- Attention aux écrous évasés volants ! (pressurisation interne)  
Retirez l'écrou évasé en procédant comme suit :  
1. Desserrez l'écrou jusqu'à ce qu'un sifflement se fasse entendre.  
2. Ne retirez pas l'écrou tant que tout le gaz ne s'est pas complètement échappé (c'est-à-dire lorsque le sifflement s'arrête).  
3. Vérifiez si tout le gaz s'est échappé avant de retirer l'écrou.
- Pendant l'installation de l'appareil, brancher correctement les tuyaux de réfrigérant avant de lancer le compresseur.

### 4.3. Appareil intérieur (Fig. 4-3)

#### Méthodes d'installation

- Glisser la gaine du tuyau ② autour du tuyau à gaz jusqu'à ce qu'elle soit pressée contre la tôle à l'intérieur de l'appareil.
- Glisser la gaine du tuyau ③ autour du tuyau à liquide jusqu'à ce qu'elle soit pressée contre la tôle à l'intérieur de l'appareil.
- Nouer les courroies fournies ④ aux deux extrémités 3/4 in. (20 mm) des gaines des tuyaux ② et ③.

- ① Tuyau à gaz
- ② Gaine de tuyau ③
- ③ Tuyau à liquide
- ④ Presser la gaine du tuyau contre la tôle.
- ④ Courroie ④
- ⑤ Matériel isolant du tuyau à réfrigérant
- ⑤ Gaine de tuyau ②

### 4.4. Pour double combinaison

Consulter le manuel d'installation de l'appareil extérieur.

## 5. Mise en place du tuyau d'écoulement

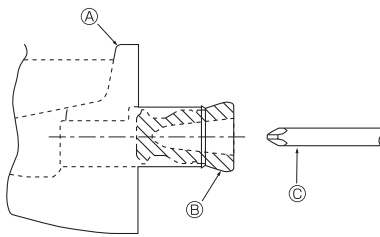


Fig. 5-1

- Si vous installez le tuyau sur le côté gauche, soyez sûr d'insérer le bouchon en caoutchouc dans l'orifice d'évacuation droit. (Fig. 5-1)
- Utiliser un tuyau VP20 (en PVC, D.E.ø26) pour les tuyaux d'écoulement et prévoir une pente d'1% ou plus.
- Après la fin des travaux, vérifier que le correct tuyau d'évacuation sort de l'orifice de débit du tuyau d'évacuation.
  - Ⓐ Bac d'évacuation
  - Ⓑ Bouchon
  - Ⓒ Introduire par exemple un tournevis profondément dans le bouchon.

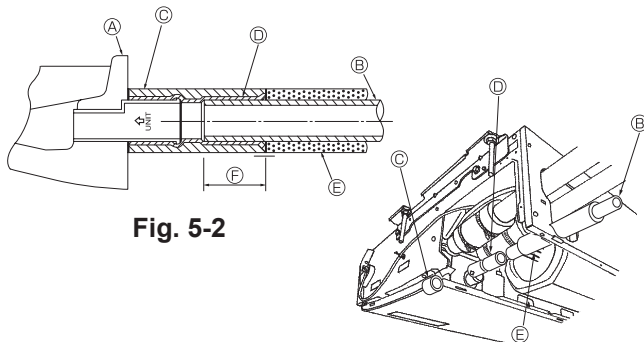


Fig. 5-2

### Méthodes d'installation (Fig. 5-2)

1. Relier la douille ⑤ fournie avec l'appareil à l'orifice d'évacuation de l'appareil avec un adhésif de chlorure de vinyle.
2. Attacher la gaine ⑥ (fournie avec l'appareil) au tuyau d'évacuation ⑤.
3. Relier le tuyau d'évacuation (VP-20) à la douille ⑤ avec un adhésif de chlorure de vinyle.
4. Envelopper la gaine ⑦ (fournie avec l'appareil) autour du tuyau d'évacuation. (Bandage de soudure)
  - Ⓐ Bac d'évacuation
  - Ⓑ Tuyauterie d'évacuation
  - Ⓒ Gaine de la douille ⑤
  - Ⓓ Douille ⑤
  - Ⓔ Gaine de la tuyauterie d'évacuation ⑦
  - Ⓕ Longueur d'insertion : 1-15/32 in. (37 mm)

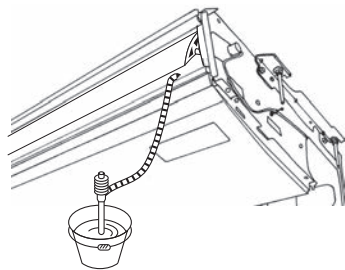


Fig. 5-3

5. Vérifier que le système d'évacuation est correct. (Fig. 5-3)

\* Remplir le bac d'évacuation avec environ 1/4 gal (1 l) d'eau des sorties d'air.

## 6. Installations électriques

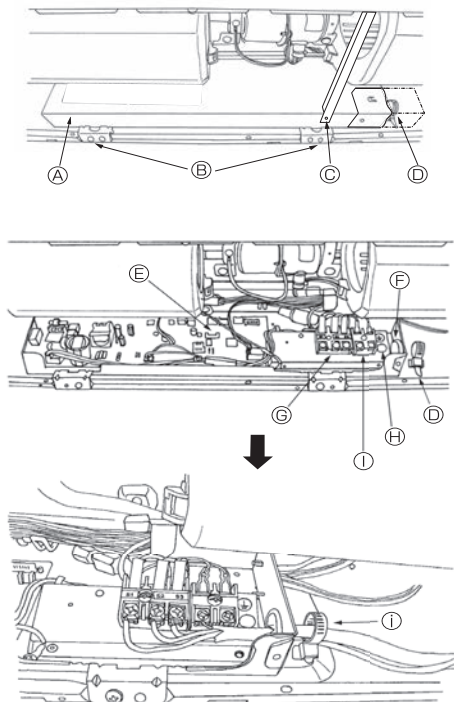


Fig. 6-1

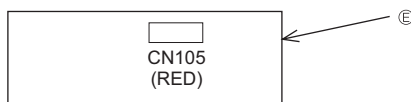


Fig. 6-2

### 6.1. Installation électrique

#### Méthodes pour l'installation électrique

1. Retirer les deux vis à tôle ③ puis retirer la faisceau.
2. Enlever les (2) vis à tôle ④, puis enlever le couvercle ① de la partie électrique.
3. <Pour la télécommande filaire>  
Raccorder correctement les fils électriques aux bornes correspondantes (Fig. 6-1)
4. Remettre en place les pièces enlevées.
5. Attacher les fils électriques au serre-fils local se trouvant dans le côté droit de la boîte électrique.
  - Ⓐ Couvercle
  - Ⓑ Vis de serrage (2)
  - Ⓒ Vis de serrage (Faisceau)
  - Ⓓ Bride pour câbles
  - Ⓔ Panneau du contrôleur intérieur
  - Ⓕ Orifice pour l'entretien des câbles
  - Ⓖ Bloc de sortie pour la connexion des appareils intérieur et extérieur
  - Ⓗ Connecteur du câble de mise en terre.
  - Ⓘ Bornier de la télécommande filaire
  - Ⓣ Attacher avec la bride des fils.



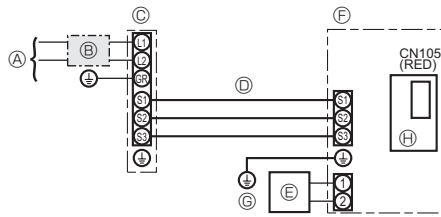
## 6. Installations électriques

### 6.1.1. Alimentation de l'appareil intérieur provenant de l'appareil extérieur

Les schémas de connexion suivants sont disponibles.

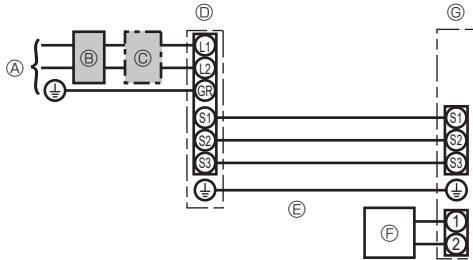
Les schémas d'alimentation de l'appareil extérieur varient selon les modèles.

#### Systeme 1:1



- Ⓐ Source d'alimentation de l'appareil extérieur
- Ⓑ Coupe-circuit ou interrupteur d'isolement
- Ⓒ Appareil extérieur
- Ⓓ Cordons de raccordement de l'appareil intérieur/extérieur
- Ⓔ Télécommande à fil (Pièces en option)
- Ⓕ Appareil intérieur
- Ⓖ Mise à la terre de l'appareil intérieur
- Ⓗ Panneau du contrôleur intérieur

\* Apposer une étiquette A fournie avec les manuels près de chaque schéma de câblage des appareils intérieur et extérieur.



- Ⓐ Source d'alimentation de l'appareil extérieur
- Ⓑ Disjoncteur de fuite à la terre
- Ⓒ Coupe-circuit ou interrupteur d'isolement
- Ⓓ Appareil extérieur
- Ⓔ Cordons de raccordement de l'appareil intérieur/extérieur
- Ⓕ Commande à distance
- Ⓖ Appareil intérieur

\* Apposer une étiquette A fournie avec les manuels près de chaque schéma de câblage des appareils intérieur et extérieur.

Le type de mise à la terre utilisé dépend de l'appareil extérieur.

Reportez-vous au Manuel d'installation de l'appareil extérieur raccordé.

Modèle de l'appareil intérieure		PCA-A24, 30KA8	PCA-A36, 42KA8
Courant admissible minimum du circuit		1A	2A
Valeur nominale maximum du dispositif de protection contre les surintensités		15A	
Câblage No du câble x taille	Appareil intérieur-appareil extérieur *1	3 x AWG14 (polar)	
	Mise à la terre de l'appareil intérieur	1 x Min. AWG14	
	Télécommande à fil-Appareil intérieur *2	2 x AWG22 (non polarisé, non blindé)	
Tension du circuit	Appareil intérieur-appareil extérieur S1-S2 *3	208/230 V CA	
	Appareil intérieur-appareil extérieur S2-S3 *3	24 V CC/28 V CC	
	Télécommande à fil-Appareil intérieur *3	12 V CC	

\*1. 50 m, 165 ft max.

\*2. 500 m, 1640 ft max. (Pour deux commandes à distance filaires : 200 m, 656 ft max.)

\*3. Les chiffres ne s'appliquent PAS toujours à la mise à la terre.

La borne S3 présente une différence de 24 V CC/28 V CC par rapport à la borne S2. Les bornes S3 et S1 ne sont pas isolées électriquement par le transformateur ou tout autre appareil.

**Remarques :** 1. La taille des fils doit être conforme aux réglementations nationales et locales pertinentes.

2. Le poids des câbles de connexion entre l'appareil intérieur et l'appareil extérieur doit être égal ou supérieur au poids de câbles flexibles à gaine polychloroprène (conception 60245 IEC 57).

3. Utilisez des fils électriques en cuivre.

4. Utilisez des fils UL d'une tension nominale de 300 V minimum pour les câbles d'alimentation et les câbles de raccordement des unités intérieure et extérieure.

5. Installer un câble de terre plus long que les autres câbles.

6. Les câbles de connexion des appareils intérieur et extérieur sont polarisés. Respectez les numéros de borne (S1, S2, S3) pour procéder à un raccordement correct.

7. Le câble de la télécommande doit être maintenu à une certaine distance (au moins 5 cm, 2 pouces) du câble d'alimentation afin d'éviter les interférences dues au bruit électrique généré par le câble d'alimentation.

8. Cet appareil intègre un raccordement à la terre à des fins fonctionnelles uniquement.

#### ⚠ Avertissement :

Ne jamais effectuer de jonction du câble d'alimentation ou du câble de raccordement intérieur-extérieur car cela peut entraîner une surchauffe, un incendie ou un raccordement défaillant.

## fr 6.2. Télécommande (Pièces en option)

### 6.2.1. Pour la télécommande à fil

#### 1) Réglage de deux télécommandes à fil

Si deux télécommandes à fil sont connectées, régler la première sur "principal" et la seconde sur "auxiliaire".

Pour prendre connaissance des procédures de configuration, consultez "Sélection des fonctions" dans le mode d'emploi de l'appareil intérieur.

#### Remarque:

Lors du raccordement de deux télécommandes, veiller à utiliser le même modèle.



## 6. Installations électriques

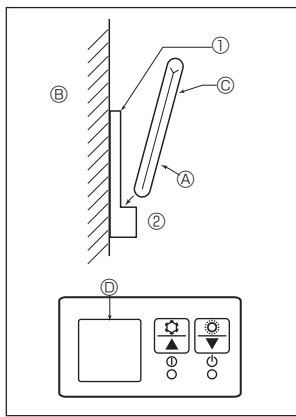


Fig. 6-3

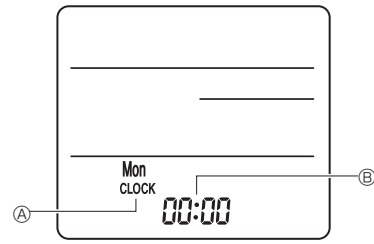


Fig. 6-4

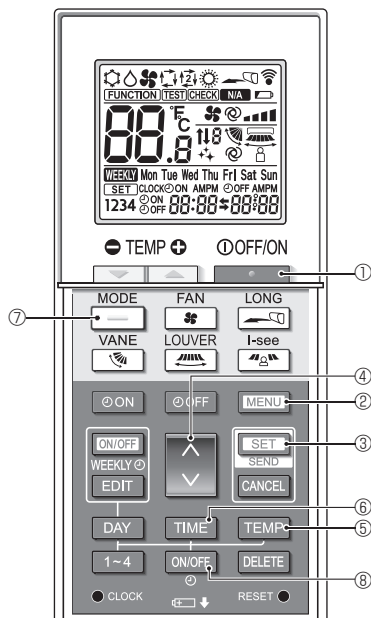


Fig. 6-5

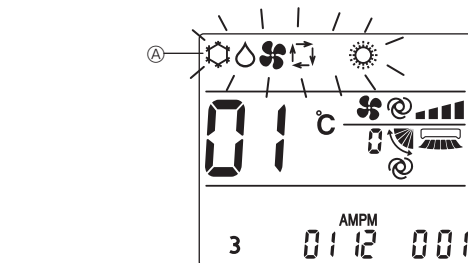


Fig. 6-6

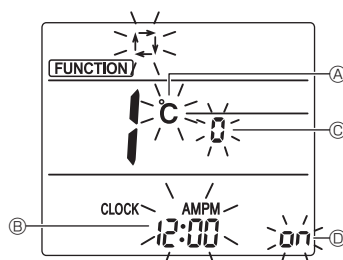


Fig. 6-7

### 6.2.2. Pour la télécommande sans fil

#### 1) Où l'installer

- Dans un endroit protégé des rayons du soleil.
- Éloignée de toute source de chaleur.
- Dans un endroit où la télécommande ne sera pas sujette aux vents froids ou chauds.
- Dans un endroit où il sera facile d'utiliser la télécommande.
- Hors de la portée des enfants.

#### 2) Méthode d'installation (Fig. 6-3)

- ① Attachez le support de la télécommande à l'endroit voulu à l'aide de 2 vis à taraud.
- ② Mettez la partie inférieure de la télécommande dans le support.

Ⓐ Télécommande Ⓑ Mur Ⓒ Afficheur Ⓓ Récepteur

- Le signal peut voyager jusqu'à 7 mètres, en ligne droite jusqu'à un angle de 45 degrés sur la droite ou la gauche de la ligne centrale de l'appareil.

#### 3) Réglage (Réglage de l'horloge) (Fig. 6-4)

- ① Insérez les piles ou appuyez sur la touche ●<sub>CLOCK</sub> à l'aide d'un objet pointu. [CLOCK] (HORLOGE) Ⓐ et [:] Ⓑ clignotent.
- ② Appuyez sur la touche de réinitialisation RESET ● à l'aide d'un objet pointu.
- ③ Appuyez sur les touches de réglage ⬆️ pour régler l'heure. Appuyez sur la touche DAY pour régler le jour.
- ④ Pour terminer, appuyez sur la touche ●<sub>CLOCK</sub> à l'aide d'un objet pointu. [CLOCK] (HORLOGE) et [:] s'illuminent.

#### 4) Réglage de l'affichage du mode (réglage refroidissement seul)

(Le réglage d'usine est "REFROIDISSEMENT/DÉSHUMIDIFICATION/AUTO/VENTILATION/CHAUFFAGE")

1. Appuyez sur la touche [STOP] ① pour arrêter le climatiseur.
2. Appuyez sur la touche [SET] ③ dans les 5 secondes. L'écran de réglage du modèle s'affiche.
3. Appuyez sur la touche [ ] ⑦. Le mode de fonctionnement Ⓐ clignote. (Fig. 6-5)
4. Appuyez sur la touche ⬆️ ④ pour changer le n° de réglage.
5. Vérifiez que le n° de réglage "6" est affiché et que Ⓐ ne clignote qu'en mode de fonctionnement Ⓐ, puis appuyez sur la touche [SET] ③ dans les 5 secondes.

#### 5) Mode initial

Les réglages suivants peuvent être faits dans le mode de réglage initial.

Point de réglage	Réglage	Fig. 6-7
Unité de température	°C/°F	Ⓐ
Affichage de l'heure	Format 12 heures/Format 24 heures	Ⓑ
N° de paire	0-3	Ⓒ
Rétro-éclairage	Marche/arrêt	Ⓓ

#### 5-1. Passage en mode de réglage initial

1. Appuyez sur la touche [STOP] ① pour arrêter le climatiseur.
2. Appuyez sur la touche [MENU] ②. L'écran Réglage des fonctions s'affiche et le n° de la fonction Ⓐ clignote. (Fig. 6-6)
3. Appuyez sur la touche ⬆️ ④ pour changer le n° de fonction. Vérifiez que la fonction n° «1» est affichée puis appuyez sur la touche [SET] ③. L'écran de réglage de l'affichage s'affiche. (Fig. 6-7)

#### 5-2. Changement de l'unité de température Ⓐ

- Appuyez sur la touche [TEMP] ⑤.
- À chaque pression sur la touche [TEMP] ⑤, le réglage change entre °C et °F.
- °C : La température est affichée en degrés Celsius.
- °F : La température est affichée en degrés Fahrenheit.

#### 5-3. Changement de l'affichage de l'heure Ⓑ

- Appuyez sur la touche [TIME] ⑥.
- À chaque pression sur la touche [TIME] ⑥, le réglage change entre <sup>AMPM</sup> 12:00 et 24:00.
- <sup>AMPM</sup> 12:00 : L'heure est affichée au format 12 heures.
- 24:00 : L'heure est affichée au format 24 heures.

#### 5-4. Changement du n° de paire Ⓒ

- Appuyez sur la touche ⬆️ ④.
- À chaque pression sur la touche ⬆️ ④, le n° de paire 0-3 change.

Numéro de paire de la télécommande sans fil	Carte électronique d'appareil intérieur
0	Réglage Initial
1	Coupe J41
2	Coupe J42
3	Coupe J41, J42

#### 5-5. Changement du réglage du rétro-éclairage Ⓓ

- Appuyez sur la touche [ON/OFF] ⑧.
- À chaque pression sur la touche [ON/OFF] ⑧, le réglage change entre on et off.
- on : Le rétroéclairage s'active lorsqu'une pression est exercée sur une touche.
- off : Le rétroéclairage ne s'active pas lorsqu'une pression est exercée sur une touche.

## 6. Installations électriques

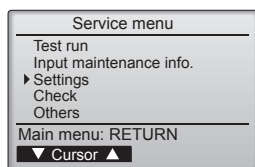


Fig. 6-8

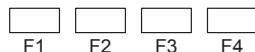
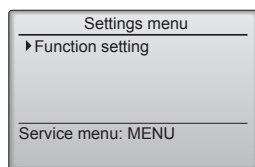


Fig. 6-9

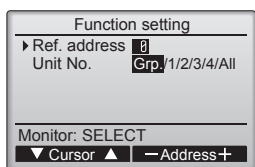


Fig. 6-10

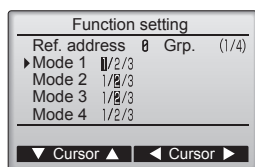


Fig. 6-11

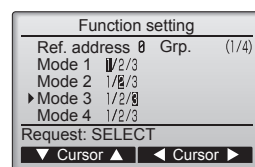


Fig. 6-12

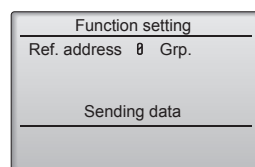


Fig. 6-13

### 6.3. Réglage des fonctions

#### 6.3.1. À l'aide de la télécommande filaire

- ① (Fig. 6-8)
  - Sélectionnez "Service" dans le menu général puis appuyez sur la touche [SELECT/HOLD].
  - Sélectionnez "Settings" (Réglages) dans le menu Service, puis appuyez sur la touche [SELECT/HOLD].
- ② (Fig. 6-9)
  - Sélectionnez "Function settings" (Réglage des fonctions) à l'aide de la touche [SELECT/HOLD].
- ③ (Fig. 6-10)
  - Réglez les adresses de réfrigérant des unités intérieures et le nombre d'unités à l'aide des boutons [F1] à [F4], puis appuyez sur le bouton [SELECT/HOLD] pour valider le réglage actuel.

#### <Contrôle du No. Unité intérieure>

Une pression sur le bouton [SELECT/HOLD] démarre le ventilateur de l'unité intérieure. Si l'unité est commune, ou lorsque toutes les unités tournent, les ventilateurs de toutes les unités intérieures correspondant à l'adresse de réfrigérant démarrent.

- ④ (Fig. 6-11)
  - Une fois la collecte de données terminée depuis les unités intérieures, les réglages actuels apparaissent en surbrillance. Les éléments qui ne sont pas en surbrillance indiquent qu'aucune fonction n'est réglée. L'aspect de l'écran varie en fonction du réglage "N° unité".
- ⑤ (Fig. 6-12)
  - Utilisez le bouton [F1] ou [F2] pour déplacer le curseur pour sélectionner la valeur du mode, puis modifiez-le à l'aide du bouton [F3] ou [F4].
- ⑥ (Fig. 6-13)
  - Une fois les réglages terminés, appuyez sur le bouton [SELECT/HOLD] pour transmettre les données de réglage du contrôleur à distance aux unités intérieures.
  - Une fois la transmission terminée, l'écran Réglage des fonctions réapparaît.

## 6. Installations électriques

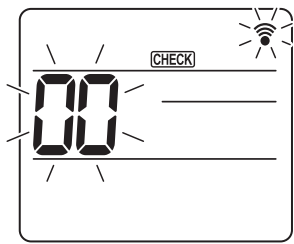


Fig. 6-14

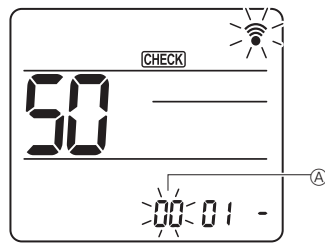


Fig. 6-15

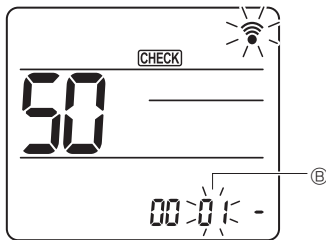


Fig. 6-16

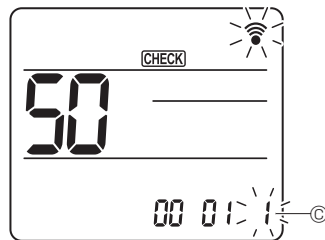


Fig. 6-17

### 6.3.2. À l'aide de la télécommande sans fil

#### ① Accès au mode de sélection des fonctions

Appuyez sur la touche **MENU** pendant 5 secondes. (Commencez cette opération lorsque l'affichage de la télécommande est éteint.) [CHECK] s'allume et «00» clignote. (Fig. 6-14)

Appuyez sur la touche **↓** pour régler «50».

Pointez la télécommande sans fil vers le récepteur de l'appareil intérieur, puis appuyez sur la touche **SET**.

#### ② Réglage du numéro d'appareil

Appuyez sur les touches **↓** pour régler le numéro d'appareil **A**. (Fig. 6-15)

Pointez la télécommande sans fil vers le récepteur de l'appareil intérieur, puis appuyez sur la touche **SET**.

#### ③ Sélection d'un mode

Appuyez sur les touches **↓** pour régler le numéro de mode **B**. (Fig. 6-16)

Pointez la télécommande sans fil vers le récepteur de l'appareil intérieur, puis appuyez sur la touche **SET**.

Numéro du réglage actuel :  
1 = 1 bip (1 seconde)  
2 = 2 bips (1 seconde chacun)  
3 = 3 bips (1 seconde chacun)

#### ④ Sélection du numéro de réglage

Utilisez la touche **↓** pour changer le numéro de réglage **C**. (Fig. 6-17)

Pointez la télécommande sans fil vers le récepteur de l'appareil intérieur, puis appuyez sur la touche **SET**.

#### ⑤ Pour sélectionner plusieurs fonctions à la suite

Répétez les sélections ③ et ④ pour modifier les réglages de plusieurs fonctions à la suite.

#### ⑥ Fin de la sélection de fonction

Pointez la télécommande sans fil vers le capteur de l'appareil intérieur, puis appuyez sur la touche **OFF/ON**.

#### Remarque :

Effectuez les réglages ci-dessus sur les appareils si nécessaire.

- Le tableau 1 récapitule les options de réglage pour chaque numéro de mode.
- Notez bien les réglages pour toutes les fonctions si l'un des réglages initiaux a été modifié à la fin de la procédure d'installation.

## 6. Installations électriques

### Tableau des fonctions

Sélectionnez l'appareil numéro "Grp."

Mode	Paramètre	No. de Mode	No. de réglage	Réglage initial	Réglage
Restauration automatique après une coupure de courant	Non disponible	01	1		
	Disponible *1		2	0 *2	
Détection de la température intérieure	Moyenne de fonctionnement de l'appareil intérieur	02	1	0	
	Réglée par la télécommande de l'appareil intérieur		2		
	Détecteur interne de la télécommande		3		
Connectivité LOSSNAY	Non supportée	03	1	0	
	Supportée (l'appareil intérieur n'est pas équipé d'une prise d'air extérieure)		2		
	Supportée (l'appareil intérieur est équipé d'une prise d'air extérieure)		3		
Tension d'alimentation	230 V	04	1	0	
	208 V		2		

Sélectionner les appareils numéro 1 à 4 ou "All"

Betriebsart	Paramètre	No. de Mode	No. de réglage	Réglage initial	Réglage
Signe du filtre	100 heures	07	1		
	2500 heures		2	0	
	Pas d'indicateur de signe du filtre		3		
Vitesse du ventilateur	Silencieux	08	1		
	Standard		2	0	
	Plafond élevé		3		
Options installées (filtre à haute efficacité)	Non supporté	10	1	0	
	Supporté		2		
Réglage haut/bas des volets	Pas de volets	11	1		
	Équipé de volets (Réglage de l'angle des ailettes ①)		2	0	
	Équipé de volets (Réglage de l'angle des ailettes ②)		3		
Vitesse du ventilateur lorsque le thermostat de chauffage est coupé (OFF)	Réglage de la vitesse du ventilateur	27	1		
	Arrêt		2		
	Très basse		3	0	

\*1 Une fois l'alimentation rétablie, le climatiseur redémarre après 3 minutes.

\*2 La configuration initiale de la restauration automatique en cas de coupure d'électricité dépend du branchement de l'appareil extérieur.

## 6. Installations électriques

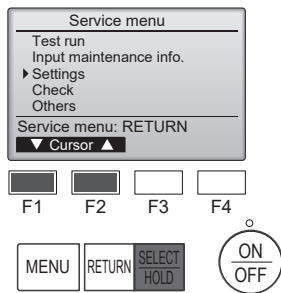


Fig. 6-18

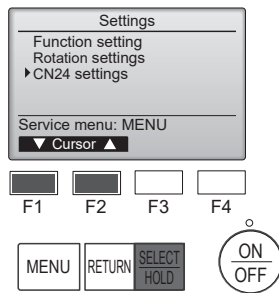


Fig. 6-19

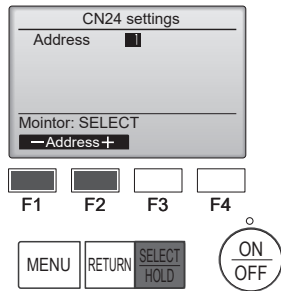


Fig. 6-20

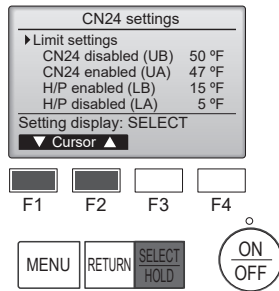


Fig. 6-21

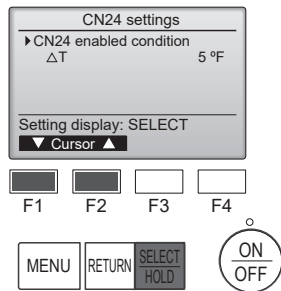


Fig. 6-22

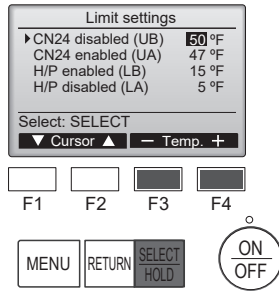


Fig. 6-23

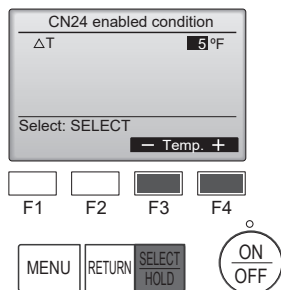


Fig. 6-24

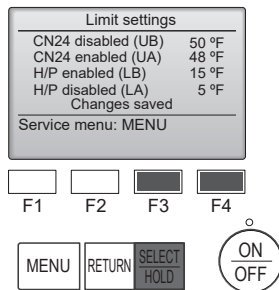


Fig. 6-25

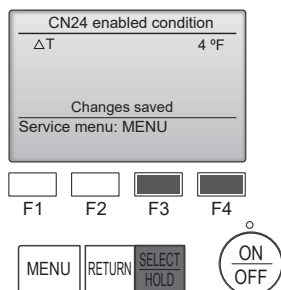


Fig. 6-26

### 6.4 Réglages CN24 (Paramètres de sauvegarde en masse)

- Le réglage MARCHÉ/ARRÊT auto de la pompe à chaleur dépend de la température extérieure
- Le chauffage via le réglage MARCHÉ/ARRÊT auto CN24 dépend de la température extérieure ou de la différence entre le réglage de la température et la température ambiante intérieure.

① (Fig. 6-18)

- Sélectionnez "Service" dans le menu général, puis appuyez sur la touche [SELECT/HOLD].
- Sélectionnez "Settings" (Réglages) à l'aide de la touche [F1] ou [F2], puis appuyez sur la touche [SELECT/HOLD].

② (Fig. 6-19)

- Sélectionnez "CN24 settings" (Réglages CN24) à l'aide de la touche [F1] ou [F2], puis appuyez sur la touche [SELECT/HOLD].

③ (Fig. 6-20)

- Réglez l'adresse de réfrigérant de l'appareil intérieur à l'aide de la touche [F1] ou [F2], puis appuyez sur la touche [SELECT/HOLD].

④ (Fig. 6-21, 6-22)

- Sélectionnez "Limit settings" (Réglages des limites) ou "CN24 ON condition" (Condition CN24 MARCHÉ) à l'aide de la touche [F1] ou [F2], puis appuyez sur la touche [SELECT/HOLD].

⑤ (Fig. 6-24, 6-26)

- Réglez  $\Delta T$  (différence entre temp. ambiante et réglage temp.) à l'aide de la touche [F3] ou [F4], puis appuyez sur la touche [SELECT/HOLD].

⑥ (Fig. 6-23, 6-25)

- Réglez UB, UA, LB, LA à l'aide de la touche [F3] ou [F4], puis appuyez sur la touche [SELECT/HOLD].

Appareil extérieur connecté	UB		UA		LB		LA	
	Plage de réglage	Par défaut	Plage de réglage	Par défaut	Plage de réglage	Par défaut	Plage de réglage	Par défaut
PUZ-A**	32°F ~ 70°F	47°F	23°F ~ 61°F	38°F	-27°F ~ 52°F	-	-36°F ~ 43°F	-
PUZ-HA**	32°F ~ 70°F	47°F	23°F ~ 61°F	38°F	-27°F ~ 52°F	-	-36°F ~ 43°F	-
SUZ-KA09/12/15/18/24/30/36NA2	32°F ~ 70°F	47°F	23°F ~ 61°F	38°F	14°F ~ 52°F	-	5°F ~ 43°F	-
SUZ-KA09/12/15/18/24/30/36NAHZ	32°F ~ 70°F	47°F	23°F ~ 61°F	38°F	14°F ~ 52°F	-	5°F ~ 43°F	-
MXZ	32°F ~ 70°F	47°F	23°F ~ 61°F	38°F	14°F ~ 52°F	-	5°F ~ 43°F	-

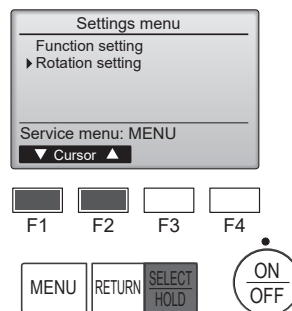
\*Si l'appareil extérieur ne figure pas dans le tableau ci-dessus, reportez-vous au mode d'emploi de l'appareil extérieur pour plus de détails.

## 6. Installations électriques

### 6.5. Réglage de la rotation

Vous pouvez régler ces fonctions à l'aide de la télécommande filaire. (Moniteur de maintenance)

- ① Sélectionnez "Service" dans le menu général puis appuyez sur le bouton [SELECT/HOLD].
- ② Sélectionnez "Settings" (Réglages) à l'aide de la touche [F1] ou [F2], puis appuyez sur la touche [SELECT/HOLD].
- ③ Sélectionnez "Rotation setting" (Réglage de la rotation) à l'aide de la touche [F1] ou [F2], puis appuyez sur la touche [SELECT/HOLD].



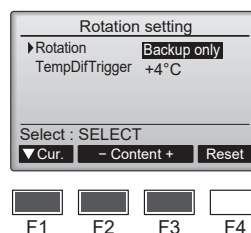
- ④ Réglage de la fonction de rotation.
  - Sélectionnez "Rotation" à l'aide de la touche [F1].
  - Sélectionnez la période de commutation ou "Backup only" (Sauvegarde uniquement) à l'aide de la touche [F2] ou [F3].

#### ■ Options de réglage "Rotation"

Aucune, 1 jour, 3 jours, 5 jours, 7 jours, 14 jours, 28 jours, Sauvegarde uniquement

Remarques :

- Lorsque 1 à 28 jours sont sélectionnés dans les options de configuration, la fonction de sauvegarde est également activée.
- Lorsque "Backup only" (Sauvegarde uniquement) est sélectionné, la fonction de rotation est désactivée. Les systèmes dont l'adresse de réfrigérant est 00 ou 01 (système 00/système 01) fonctionneront en tant que système principal tandis que le système 02 est le mode de veille en tant que système de sauvegarde.



- ⑤ Réglage de la fonction d'assistance.

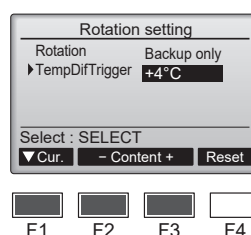
- Sélectionnez "TempDifTrigger" (Déclenchement par différence de température) à l'aide de la touche [F1].
- Sélectionnez la différence entre la température d'aspiration et la température programmée à l'aide de la touche [F2] ou [F3].

#### ■ Options de réglage "TempDifTrigger" (Déclenchement par différence de température)

Aucune, +4°C, +6°C, +8°C

Remarques :

- La fonction d'assistance n'est disponible qu'en mode REFROIDISSEMENT. (Non disponible dans les modes CHAUFFAGE, DÉSHUMIDIFICATION et AUTO.)
- La fonction d'assistance est activée lorsque toute option autre que "None" (Aucune) est sélectionnée dans les options de configuration "Rotation".



- ⑥ Appuyez sur la touche [SELECT/HOLD] pour actualiser le réglage.

#### Méthode de réinitialisation

- Appuyez sur la touche [F4] à l'étape ④ ou ⑤ pour réinitialiser la durée de fonctionnement de la fonction de rotation. Après réinitialisation, le fonctionnement reprendra à partir des systèmes dont les adresses de réfrigérant sont 00 ou 01.

Remarque : Lorsque le système dont l'adresse de réfrigérant est 02 est en mode sauvegarde, les systèmes 00 ou 01 fonctionneront.



## 7. Marche d'essai

### 7.1. Avant la marche d'essai

- ▶ Lorsque l'installation, le tuyautage et le câblage des appareils intérieur et extérieur sont terminés, vérifier l'absence de fuites de réfrigérant, la fixation des câbles d'alimentation et de commande, l'absence d'erreur de polarité et contrôler qu'aucune phase de l'alimentation n'est déconnectée.
- ▶ Utiliser un mégohm-mètre de 500V pour s'assurer que la résistance entre les bornes d'alimentation électrique et la terre soit au moins de 1,0 MΩ.

▶ Ne pas effectuer ce test sur les bornes des câbles de contrôle (circuit à basse tension).

⚠ **Avertissement:**

Ne pas utiliser le climatiseur si la résistance de l'isolation est inférieure à 1,0 MΩ.

### 7.2. Marche d'essai

#### 7.2.1. Utilisation de la télécommande filaire

- Lisez attentivement le manuel d'utilisation avant le test fonctions. (En particulier les rubriques relatives à la sécurité)

##### Étape 1 Mettez sous tension.

- Télécommande: le système se met en mode de démarrage et le témoin d'alimentation de la télécommande (vert) et le message "Please Wait" (Veuillez patienter) clignotent. Tant que la lampe et le message clignotent, la télécommande ne peut pas être utilisée. Attendez que le message "Please Wait" (Veuillez patienter) ne soit plus affiché avant d'utiliser la télécommande. Après la mise sous tension, le message "Please Wait" (Veuillez patienter) s'affiche pendant environ 3 minutes.
- Panneau du contrôleur intérieur: LED 1 est allumé, LED 2 est allumé (si l'adresse est 0) ou éteint (si l'adresse n'est pas 0), et LED 3 clignote.
- Panneau du contrôleur extérieur: LED 1 (vert) et LED 2 (rouge) sont allumés. (Une fois le démarrage du système terminé, LED 2 s'éteint.) Si le panneau du contrôleur extérieur dispose d'un affichage numérique, [-] et [-] s'affichent alternativement, à intervalle d'une seconde. Si le système ne fonctionne pas correctement après exécution des procédures de l'étape 2 et suivantes, les causes suivantes doivent être recherchées et corrigées en cas échéant. (Les symptômes ci-dessous se produisent en mode de test fonctions. "Startup" (Démarrage) dans le tableau se réfère à l'affichage LED mentionné plus haut.)

Symptômes en mode de test fonctions		Cause
Affichage de la télécommande	Affichage LED PANNEAU EXTERIEUR < > indique affichage numérique.	
La télécommande affiche "Please Wait" (Veuillez patienter) et est inutilisable.	Après affichage de "startup" (démarrage), seul le témoin vert s'allume. <00>	• Après mise sous tension, "Please Wait" (Veuillez patienter) est affiché pendant 3 minutes pendant le démarrage du système. (Normal)
Après mise sous tension, "Please Wait" (Veuillez patienter) est affiché pendant 3 minutes puis un code d'erreur s'affiche.	Après affichage de "startup" (démarrage), les témoins vert (une fois) et rouge (une fois) clignotent en alternance. <F1>	• Mauvaise connexion du bloc de sorties extérieur (L1, L2, GR et S1, S2, S3.)
	Après affichage de "startup" (démarrage), les témoins vert (une fois) et rouge (deux fois) clignotent en alternance. <F3, F5, F9>	• Le connecteur du dispositif de protection de l'appareil extérieur est ouvert.
Rien ne s'affiche même lorsque la télécommande est activée. (Le témoin de fonctionnement ne s'allume pas.)	Après affichage de "startup" (démarrage), les témoins vert (deux fois) et rouge (une fois) clignotent en alternance. <EA, Eb>	• Câblage Incorrect entre l'appareil intérieur et l'appareil extérieur (mauvaise polarité pour S1, S2, S3.) • Court-circuit du fil de transmission de la télécommande.
	Après affichage de "startup" (démarrage), seul le témoin vert s'allume. <00>	• Il n'y a pas d'appareil extérieur dont l'adresse est 0. (L'adresse est autre que 0.) • Circuit du fil de transmission de la télécommande ouvert.
L'affichage apparaît mais s'efface rapidement même lorsque la télécommande est utilisée.	Après affichage de "startup" (démarrage), seul le témoin vert s'allume. <00>	• Après utilisation de la fonction d'annulation, toute utilisation est impossible pendant environ 30 secondes. (Normal)

##### Étape 2 Placez la télécommande sur "Test run" (Test fonctions).

- ① Dans le Menu SAV, sélectionnez "Test run" (Test fonctions) puis appuyez sur la touche [SELECT/HOLD]. (Fig. 7-1)
- ② Dans le Menu test de fonctionnement, sélectionnez "Test run" (Test fonctions) puis appuyez sur la touche [SELECT/HOLD]. (Fig. 7-2)
- ③ Le test fonctions démarre et l'écran Test fonctions s'affiche.

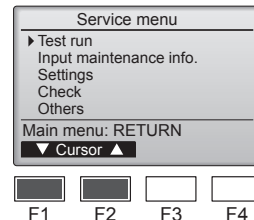


Fig. 7-1

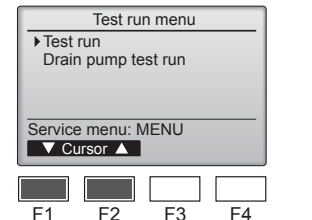


Fig. 7-2

##### Étape 3 Effectuez le test fonctions et vérifiez la température du courant d'air et le volet automatique.

- ① Appuyez sur la touche [F1] pour changer de mode de fonctionnement. (Fig. 7-3)  
Mode de refroidissement: vérifiez si la soufflerie souffle de l'air froid.  
Mode de chauffage: vérifiez si la soufflerie souffle de l'air chaud.
- ② Appuyez sur la touche [SELECT/HOLD] pour afficher l'écran de fonctionnement du volet puis appuyez sur les touches [F1] et [F2] pour contrôler le volet automatique. (Fig. 7-4)  
Appuyez sur la touche [RETURN] pour revenir à l'écran Test fonctions.

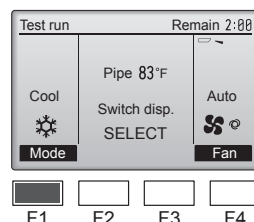


Fig. 7-3

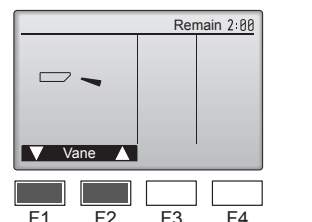


Fig. 7-4

## 7. Marche d'essai

### Étape 4 Vérifiez le fonctionnement du ventilateur de l'appareil extérieur.

La vitesse du ventilateur de l'appareil extérieur est commandée de manière à contrôler les performances de l'appareil. En fonction de la température de l'air ambiant, le ventilateur tournera à faible vitesse et continuera à tourner à cette vitesse à moins que les performances ne soient insuffisantes. Par conséquent, le vent extérieur peut provoquer l'arrêt du ventilateur, ou sa rotation en sens inverse, mais ceci ne constitue pas un problème.

### Étape 5 Arrêtez le test fonctions.

① Appuyez sur la touche [ON/OFF] pour arrêter le test fonctions. (Le Menu test de fonctionnement s'affiche.)

Remarque : si une erreur s'affiche sur la télécommande, voir le tableau ci-dessous.

LCD	Description du dysfonctionnement	LCD	Description du dysfonctionnement	LCD	Description du dysfonctionnement
P1	Erreur du capteur d'admission	P9	Erreur du capteur sur tuyaux (tuyau à paroi double)	E0 – E5	Erreur de communication entre la télécommande et l'appareil intérieur
P2	Erreur du capteur sur tuyaux (tuyau de liquide)	PA	Erreur de fuite (système de réfrigérant)		
P4	Connecteur de l'interrupteur à flotteur d'écoulement déconnecté (CN4F)	Pb	Erreur du moteur de l'appareil intérieur		
P5	Sécurité d'écoulement et de trop-plein activée	PL	Circuit de réfrigérant anormal	E6 – EF	Erreur de communication entre l'appareil intérieur et l'appareil extérieur
P6	Protection contre le gel/la surchauffe activée	FB	Erreur du panneau du contrôleur intérieur		
P8	Erreur de température des tuyaux	U*, F* (* représente un caractère alphanumérique sauf FB.)	Dysfonctionnement de l'appareil extérieur. Référez-vous au diagramme de câblage de l'appareil extérieur.		

Voir le tableau ci-dessous pour les détails de l'affichage LED (LED 1, 2 et 3) du panneau du contrôleur intérieur.

LED 1 (alimentation du micro-ordinateur)	Indique si l'alimentation est fournie au contrôleur. Ce témoin doit toujours être allumé.
LED 2 (alimentation de la télécommande)	Indique si l'alimentation est fournie à la télécommande filaire. Ce témoin s'allume uniquement pour l'appareil intérieur raccordé à l'appareil extérieur dont l'adresse est 0.
LED 3 (communication entre les appareils intérieur et extérieur)	Indique si les appareils intérieur et extérieur communiquent. Ce témoin doit toujours clignoter.

### 7.2.2. À l'aide de la télécommande sans fil

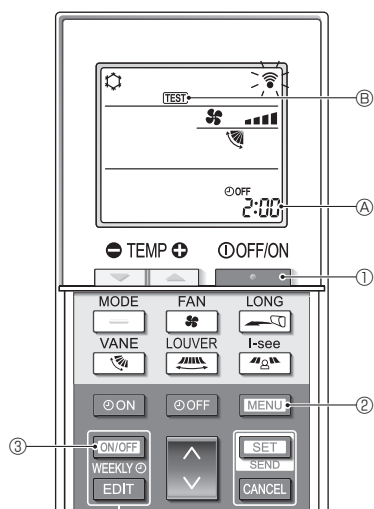


Fig. 7-5

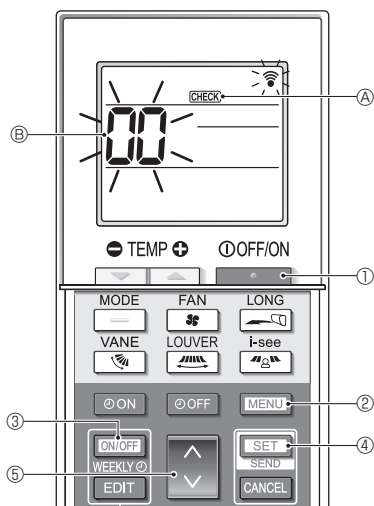


Fig. 7-6

#### ■ Essai de fonctionnement (Fig. 7-5)

- Appuyez sur le bouton ① pour arrêter le climatiseur.
  - Si la minuterie hebdomadaire est activée (**WEEKLY** est affiché), appuyez sur le bouton ③ pour la désactiver (**WEEKLY** disparaît).
- Appuyez sur le bouton ② pendant 5 secondes.
  - CHECK** s'allume et l'appareil entre en mode service.
- Appuyez sur le bouton ②.
  - TEST** ③ s'allume et l'appareil entre en mode essai de fonctionnement.
- Appuyez sur les boutons suivants pour démarrer l'essai de fonctionnement.
  - : Basculez du mode refroidissement au mode chauffage et démarrez l'essai de fonctionnement.
  - : Changez la vitesse du ventilateur et démarrez l'essai de fonctionnement.
  - : Changez la direction du flux d'air et démarrez l'essai de fonctionnement.
  - : Activez le mouvement des louveres et démarrez l'essai de fonctionnement.
  - : Démarrez l'essai de fonctionnement.
- Arrêtez l'essai de fonctionnement.
  - Appuyez sur le bouton ① pour arrêter l'essai de fonctionnement.
  - Après 2 heures, le signal d'arrêt est transmis.

#### ■ Auto-vérification (Fig. 7-6)

- Appuyez sur le bouton ① pour arrêter le climatiseur.
  - Si la minuterie hebdomadaire est activée (**WEEKLY** est affiché), appuyez sur le bouton ③ pour la désactiver (**WEEKLY** disparaît).
- Appuyez sur le bouton ② pendant 5 secondes.
  - CHECK** ② s'allume et l'appareil entre en mode auto-vérification.
- Appuyez sur le bouton ③ pour sélectionner l'adresse de réfrigérant (adresse M-NET) ③ de l'appareil intérieur pour lequel vous voulez effectuer l'auto-vérification.
- Appuyez sur le bouton ④.
  - Si une erreur est détectée, le code de vérification est indiqué par le nombre de bips émis par l'appareil intérieur et le nombre de clignotements du **TÉMOIN DE FONCTIONNEMENT**.
- Appuyez sur le bouton ①.
  - CHECK** ② et l'adresse de réfrigérant (adresse M-NET) ③ s'éteignent et l'auto-vérification est terminée.

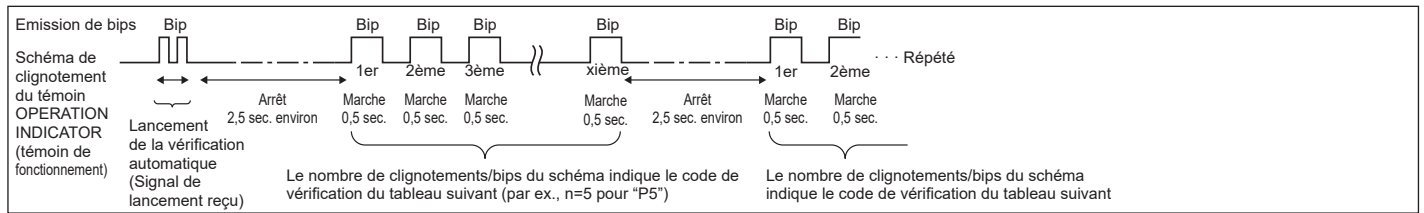
## 7. Marche d'essai

### 7.3. Auto-vérification

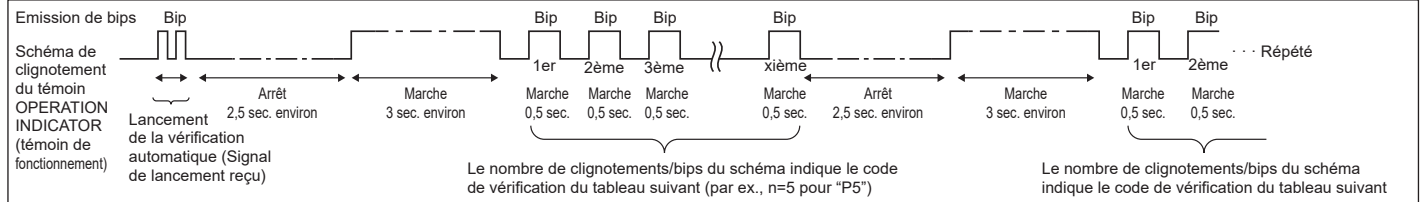
■ Pour en savoir plus, consultez le manuel d'installation fourni avec chaque télécommande.

• Consultez les tableaux suivants pour obtenir de plus amples informations sur les codes de vérification. (La télécommande sans fil)

[Schéma de sortie A]



[Schéma de sortie B]



[Schéma de sortie A] Erreurs détectées par l'appareil intérieur

La télécommande sans fil	Thermostat radiofréquence de télécommande à fil	Symptôme	Remarque
Emission de bips/clignotements du témoin OPERATION INDICATOR (Nombre de fois)	Code de vérification		
1	P1	Erreur du capteur d'admission	
2	P2	Erreur du capteur sur tuyaux (TH2)	
	P9	Erreur du capteur sur tuyaux (TH5)	
3	E6, E7	Erreur de communication de l'appareil intérieur/extérieur	
4	P4	Erreur de capteur de drainage/interrupteur à flotteur ouvert	
5	P5	Erreur de la pompe d'écoulement	
	PA	Compresseur forcé	
6	P6	Fonctionnement du dispositif de protection en cas de gel/surchauffe	
7	EE	Erreur de communication entre les appareils intérieur et extérieur	
8	P8	Erreur de température des tuyaux	
9	E4	Erreur de réception du signal de la télécommande	
10	—	—	
11	PB (Pb)	Erreur du moteur de l'appareil intérieur	
12	FB (Fb)	Erreur du système de contrôle de l'appareil intérieur (erreur de mémoire, etc.)	
14	PL	Circuit de réfrigérant anormal	
Aucun son	E0, E3	Erreur de transmission de la télécommande	
Aucun son	E1, E2	Erreur du panneau du contrôleur de la télécommande	
Aucun son	— — — —	Aucun	

[Schéma de sortie B] Erreurs détectées par un appareil autre que l'appareil intérieur (appareil extérieur, etc.)

La télécommande sans fil	Thermostat radiofréquence de télécommande à fil	Symptôme	Remarque
Emission de bips/clignotements du témoin OPERATION INDICATOR (Nombre de fois)	Code de vérification		
1	E9	Erreur de communication de l'appareil intérieur/extérieur (Erreur de transmission) (Appareil extérieur)	Pour de plus amples informations, contrôlez l'écran LED du panneau du contrôleur extérieur.
2	UP	Interruption due à la surintensité du compresseur	
3	U3, U4	Circuit ouvert/court-circuit des thermistances de l'appareil extérieur	
4	UF	Interruption due à la surintensité du compresseur (Quand compresseur verrouillé)	
5	U2	Température de décharge anormalement élevée/fonctionnement de 49C/réfrigérant insuffisant	
6	U1, Ud	Pression anormalement élevée (Fonctionnement de 63H)/Fonctionnement du dispositif de protection en cas de surchauffe	
7	U5	Température anormale de la source de froid	
8	U8	Arrêt du dispositif de protection du ventilateur de l'appareil extérieur	
9	U6	Interruption due à la surintensité du compresseur/Module d'alimentation anormal	
10	U7	Surchauffe anormale due à une température de décharge basse	
11	U9, UH	Anomalies telles que surtension ou sous-tension et signal synchronisé anormal vers le circuit principal/Erreur du capteur d'intensité	
12	—	—	
13	—	—	
14	Autres	Autres erreurs (Consultez le manuel technique de l'appareil extérieur.)	

\*1 Si l'émetteur de bips ne sonne plus suite aux deux bips initiaux pour confirmer que le signal de lancement de la vérification automatique a été reçu et si le témoin OPERATION INDICATOR (témoin de fonctionnement) ne s'allume pas, ceci signifie qu'aucune erreur n'a été enregistrée.

\*2 Si l'émetteur de bips sonne trois fois de suite "bip, bip, bip (0,4 + 0,4 + 0,4 sec.)", après les deux bips initiaux pour confirmer que le signal de lancement de la vérification automatique a été reçu, ceci signifie que l'adresse du réfrigérant spécifié est incorrecte.

- Sur la télécommande sans fil  
La sonnerie continue est déclenchée dans la section de réception de l'appareil intérieur.  
Clignotement du témoin de fonctionnement
- Sur la télécommande filaire  
Code de vérification affiché à l'écran LCD.

## 7. Marche d'essai

- Si vous ne parvenez pas à faire fonctionner l'appareil correctement après avoir mené à bien le test d'essai indiqué ci-dessus, consulter le tableau suivant pour en trouver la cause éventuelle.

Symptôme		Cause	
Télécommande à fil		Témoin 1, 2 (circuit de l'appareil extérieur)	
PLEASE WAIT	Pendant environ 3 minutes après la mise sous tension.	LED 1 et 2 sont allumés, LED 2 s'éteint, puis seul LED 1 reste allumé (Fonctionnement correct).	• Pendant environ 3 minutes après la mise sous tension, il n'est pas possible d'utiliser la télécommande à cause du démarrage du système (Fonctionnement correct).
PLEASE WAIT → Code d'erreur	Après un délai d'environ 3 minutes suivant la mise sous tension.	Seul LED 1 est allumé. → LED 1 et 2 clignotent.	• Le connecteur pour le dispositif de protection de l'appareil extérieur n'est pas raccordé. Câblage inversé ou en phase ouverte pour le bloc d'alimentation de l'appareil extérieur (L1, L2, GR)
Aucun message n'est affiché même lorsque l'interrupteur de fonctionnement est sur ON (le témoin de fonctionnement ne s'allume pas).		Seul LED 1 est allumé. → LED 1 clignote deux fois, LED 2 clignote une fois.	• Câblage incorrect entre les appareils intérieur et extérieur (polarité incorrecte de S1, S2, S3) • Court-circuit de la télécommande

Dans les conditions répertoriées ci-avant, le phénomène suivant se produit au niveau de la télécommande sans fil.

- Aucun signal de la télécommande n'est accepté.
- Le témoin OPERATION clignote.
- La sonnerie émet un son court et aigu.

### Remarque:

**Son utilisation n'est pas possible pendant 30 secondes après l'annulation de la sélection de fonction (Fonctionnement correct).**

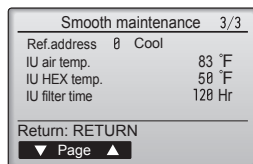
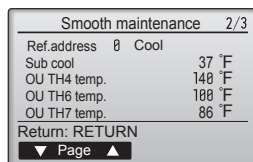
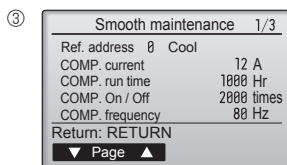
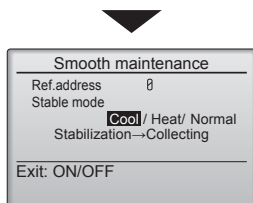
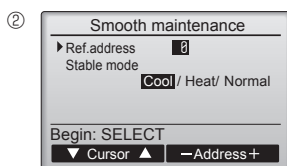
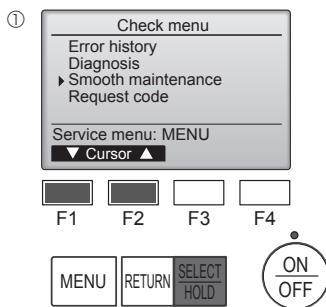
Pour la description de chacun des témoins (LED 1, 2, 3) repris sur le contrôleur de l'appareil intérieur, se reporter au tableau suivant. voir page 15.

## 8. Fonction d'entretien aisé

Les données de maintenance, telles que la température de l'échangeur thermique et le courant de fonctionnement du compresseur de l'appareil intérieur/extérieur, peuvent être affichées à l'aide de la fonction "Smooth maintenance" (Entretien facile).

\* Ceci ne peut pas être effectué en mode d'essai.

\* En fonction de la combinaison avec l'appareil extérieur, ceci peut ne pas être pris en charge par certains modèles.



- Sélectionnez "Service" dans Main menu (menu général) puis appuyez sur la touche [SELECT/HOLD].
- Sélectionnez "Check" (Vérif.) à l'aide de la touche [F1] ou [F2] puis appuyez sur la touche [SELECT/HOLD].
- Sélectionnez "Smooth maintenance" (Entretien facile) à l'aide de la touche [F1] ou [F2] puis appuyez sur la touche [SELECT/HOLD].

### Sélectionnez chaque élément

- Sélectionnez l'élément à modifier à l'aide de la touche [F1] ou [F2].
  - Sélectionnez le réglage requis à l'aide de la touche [F3] ou [F4].
- Réglage "Ref. address" (Adresse réf.)..... "0" - "15"  
 Réglage "Stable mode" (Mode stable) ..... "Cool" (Froid) / "Heat" (Chaud) / "Normal"
- Appuyez sur la touche [SELECT/HOLD], le fonctionnement stable démarre.
  - \* Stable mode (mode Stable) prend environ 20 minutes.

Les données de fonctionnement apparaissent.

La durée cumulative de fonctionnement du compresseur (COMP. run) est exprimée en unités de 10 heures, et le nombre de cycles marche/arrêt (COMP. On/Off) en unités de 100 fois (sans fractions).

### Naviguer dans les écrans

- Pour revenir au menu SAV ..... Touche [MENU]
- Pour revenir à l'écran précédent..... Touche [RETURN]

# Contenido

1. Medidas de Seguridad .....	1	5. Tubería de drenaje .....	6
2. Lugar en que se instalará .....	3	6. Trabajo eléctrico .....	6
3. Instalación de la unidad interior .....	3	7. Prueba de funcionamiento .....	14
4. Instalación de los tubos del refrigerante .....	5	8. Función de mantenimiento fácil .....	18

## Nota:

En este manual de instalación, el término "Mando a distancia con cable" se refiere solo al modelo PAR-41MAA y el término "Mando a distancia inalámbrico" se refiere solo al modelo PAR-SL101A-E. Si necesita información acerca de otros mando a distancia, consulte el manual de instalación que se incluye con la rejilla, que incluye un mando a distancia, o el manual de puesta en marcha que se incluye con el mando a distancia opcional.

## 1. Medidas de Seguridad

- ▶ Antes de instalar la unidad, asegúrese de haber leído el capítulo de "Medidas de seguridad".
- ▶ Las "Medidas de seguridad" señalan aspectos muy importantes sobre seguridad. Es importante que se cumplan todos.
- ▶ Antes de conectar este equipo al sistema de suministro eléctrico, informe a su proveedor u obtenga su consentimiento.

### Símbolos utilizados en el texto

#### ⚠ Atención:

Describe precauciones que deben tenerse en cuenta para evitar el riesgo de lesiones o muerte del usuario.

#### ⚠ Cuidado:

Describe las precauciones que se deben tener para evitar daños en la unidad.

### Símbolos utilizados en las ilustraciones



: Indica una pieza que debe estar conectada a tierra.



: Asegúrese de no hacerlo.

Después de terminar la instalación, explique las "Medidas de Seguridad", funcionamiento y mantenimiento de la unidad al cliente según el Manual de instrucciones y realice una prueba para asegurarse de que funciona correctamente. Entregue una copia del Manual de instalación y del Manual de instrucciones al usuario. Estos manuales deben pasar a usuarios posteriores del equipo.

#### ⚠ Atención:

- Lea atentamente las etiquetas adheridas a la unidad principal.
- La instalación, la reubicación y las reparaciones de la unidad debe realizarlas un distribuidor o un técnico autorizado.
- El usuario no debe intentar reparar la unidad ni desplazarla a otra ubicación bajo ningún concepto.
- Para los trabajos de instalación y reubicación, siga las instrucciones del Manual de instalación y utilice herramientas y componentes para tuberías fabricados específicamente para su uso con el refrigerante indicado en el manual de instalación de la unidad exterior.
- La unidad debe instalarse según las instrucciones para reducir posibles daños en caso de terremoto, huracán o vientos fuertes. Si no se instala correctamente, la unidad podría caerse y provocar daños o lesiones.
- No modifique la unidad. Podría producirse fuego, una descarga eléctrica, lesiones o escape de agua.
- La unidad debe instalarse firmemente sobre una estructura capaz de soportar su peso.
- El aparato debe guardarse en una zona bien ventilada, y la habitación debe tener el tamaño especificado para un funcionamiento correcto.
- Si el acondicionador de aire se instala en una habitación pequeña o cerrada, deberán tomarse medidas para evitar que la concentración de refrigerante exceda los límites de seguridad en caso de que se produzcan fugas de refrigerante. Si se produce una fuga de refrigerante que sobrepase los límites de concentración, la estancia en la sala puede ser peligrosa por falta de oxígeno.
- Mantenga los aparatos que utilizan combustibles gaseosos, calefactores eléctricos y otros elementos inflamables (fuentes de ignición) apartados del lugar donde se llevará a cabo la instalación, reparación y otras tareas en el acondicionador de aire.
- Si el refrigerante entra en contacto con una llama, se liberarán gases tóxicos.
- Si se produce una fuga de refrigerante durante el funcionamiento, ventile la sala. Si el refrigerante entra en contacto con una llama, se desprenderán gases nocivos.
- Todas las conexiones eléctricas deberán ser realizadas por un técnico cualificado según la normativa local y las instrucciones de este manual.
- No utilice la conexión intermedia de los cables eléctricos.
- Utilice solo cables especificados para el cableado. Las conexiones del cableado se deben realizar con seguridad sin que se ejerza tensión en las conexiones de los terminales. Asimismo, no empalme nunca los cables al realizar el cableado (a menos que se indique lo contrario en este documento). El hecho de no seguir estas instrucciones puede provocar un sobrecalentamiento o un incendio.
- Cuando instale o cambie de sitio el acondicionador de aire, o al realizar tareas de mantenimiento, utilice únicamente el refrigerante indicado en la unidad exterior para cargar los tubos del refrigerante. No lo mezcle con otro tipo de refrigerante y vacíe completamente de aire los tubos.
- Si el aire se mezcla con el refrigerante, podría producir una tensión anormalmente alta en el tubo del refrigerante y ocasionar una explosión u otros peligros.
- Usar un refrigerante distinto al indicado para el sistema provocará un fallo mecánico, un funcionamiento defectuoso del sistema o la avería de la unidad. En el peor de los casos, podría suponer un grave impedimento para garantizar la seguridad del producto.

- El aparato eléctrico debe instalarse siguiendo las regulaciones vigentes del país en materia de cableado.
- Este aparato no debe ser utilizado por personas (incluidos niños) que presenten una discapacidad física, sensorial o mental, y tampoco por aquellos que no dispongan de la experiencia o el conocimiento necesario, a menos que lo hagan bajo la supervisión de una persona responsable de la seguridad o que hayan recibido instrucciones por parte de esta sobre uso del aparato.
- Los niños deben estar vigilados por personas adultas para impedir que jueguen con el equipo.
- El panel de la cubierta del bloque de terminales de la unidad debe colocarse firmemente.
- Si el cable de alimentación sufre daños, debe ser sustituido por el fabricante, su servicio técnico o personal con una cualificación equivalente para evitar cualquier peligro.
- Utilice únicamente accesorios autorizados de Mitsubishi Electric y solicite su instalación a un distribuidor o técnico autorizado.
- Si los accesorios no se instalan correctamente, pueden producirse escapes de agua, descargas eléctricas o incendios.
- Tras haber realizado la instalación, compruebe si hay fugas de refrigerante. Si en caso de fuga el refrigerante entra en contacto con las llamas de un calentador o de un equipo de cocina portátil, se desprenderán gases nocivos.
- Para acelerar el proceso de descongelación o para limpiar el aparato, utilice únicamente los medios recomendados por el fabricante.
- El aparato debe guardarse en una habitación sin fuentes de ignición en funcionamiento continuo (por ejemplo: llamas abiertas, un aparato de gas en funcionamiento o un calentador eléctrico en funcionamiento).
- No pefore ni queme el equipo.
- Tenga en cuenta que es posible que los refrigerantes no emitan olores.
- Las tuberías deben protegerse de posibles daños físicos.
- Las tuberías instaladas deben ser las mínimas.
- Deben observarse las normativas nacionales relativas al gas.
- Mantenga las aberturas de ventilación necesarias libres de obstáculos.
- No utilice una aleación para soldadura de baja temperatura si decide soldar los tubos de refrigerante.
- Cuando realice trabajos de soldadura, procure que la habitación esté bien ventilada. Compruebe que no haya materiales peligrosos o inflamables cerca de la zona de trabajo.
- Si trabaja en una habitación cerrada o pequeña, o en un lugar similar, compruebe que no haya fugas de refrigerante antes de realizar el trabajo.
- Si se producen fugas de refrigerante y este se acumula, puede encenderse o liberar gases tóxicos.
- Tenga cuidado al utilizar cualquier fuente de calor auxiliar y siga todas las instrucciones de los otros fabricantes y las directrices de seguridad para la instalación y el uso.
- Cualquier fuente de calor auxiliar conectada a esta unidad a través de la conexión CN24 debe disponer de un mecanismo independiente de control de la temperatura. Si no se instala y mantiene dicho mecanismo de control de la temperatura, la garantía de este equipo puede quedar anulada.
- Mitsubishi Electric no asumirá ninguna obligación de garantía ni ninguna otra responsabilidad por cualquier daño o pérdida relacionado con dichos calentadores auxiliares de otros fabricantes.



# 1. Precauciones de seguridad

## 1.1. Cuestiones previas a la instalación (entorno)

### ⚠ Cuidado:

- No utilice la unidad en un ambiente enrarecido. Este aire acondicionado no se puede instalar en áreas expuestas a vapor, aceite esencial (incluyendo el aceite para máquinas) o al humo sulfúrico, ni en áreas con alto contenido en sal, como playas, ya que pueden reducir significativamente su rendimiento y dañar las piezas internas.
- No instale la unidad donde se puedan verter, producir, circular o acumular gases inflamables. Si se acumula gas inflamable en zonas próximas a la unidad, se podría producir un incendio o una explosión.
- No coloque alimentos, plantas, animales enjaulados, obras de arte o instrumentos de precisión en la salida de aire directa de la unidad interior o demasiado cerca de ella, ya que los cambios de temperatura o el agua que gotea podrían dañarlos.
- Cuando la humedad de la habitación supera el 80%, o cuando el tubo de drenaje está obstruido, puede gotear agua de la unidad interior. No instale la unidad interior en lugares donde el goteo pueda causar daños.
- Si instala la unidad en un hospital o en un centro de comunicaciones, recuerde que la unidad produce ruidos e interferencias electrónicas. Los conmutadores, aparatos domésticos, equipos médicos de alta frecuencia y los equipos de comunicación por radio pueden provocar un mal funcionamiento o la avería del equipo de aire acondicionado. El equipo de aire acondicionado también puede afectar a los equipos médicos e interrumpir los cuidados médicos, así como los equipos de comunicación, y dañar la calidad de la pantalla.

## 1.2. Cuestiones previas a la instalación o reubicación

### ⚠ Cuidado:

- Tenga mucho cuidado cuando mueva las unidades. Se necesitan dos o más personas para llevar la unidad, porque pesa 20 kg, 44 lbs o más. No la sujete por las bandas de embalaje. Utilice guantes protectores, ya que se podría lesionar las manos con las aletas u otras partes.
- Guarde los materiales de embalaje en un lugar seguro. Los materiales de embalaje, como clavos y otras piezas de metal o de madera, pueden producir cortes y otras lesiones.
- Se necesita aislar térmicamente el tubo de refrigerante para evitar la condensación. Si el tubo de refrigerante no está bien aislado, se formará condensación.
- Coloque material termoaislante en los tubos para evitar condensación. Si el tubo de drenaje no se instala correctamente, pueden producirse fugas de agua y daños en el techo, en el suelo, en los muebles o en otros bienes.
- No limpie con agua la unidad de aire acondicionado. Puede sufrir una descarga eléctrica.
- Apriete todas las tuercas abocardadas a los niveles recomendados mediante una llave dinamométrica. Si las aprieta demasiado, se pueden romper al cabo de un período prolongado.
- Si se utiliza la unidad durante muchas horas y el aire del techo se encuentra a una temperatura alta/presenta una humedad elevada (punto de rocío por encima de los 26 °C, 79 °F), puede formarse rocío en la unidad interior o en los materiales del techo. Si utiliza las unidades en estas condiciones, coloque material aislante (10-20 mm, 25/64 - 25/32 pulgadas) en toda la superficie de la unidad y en los materiales del techo para evitar la condensación.

## 1.3. Antes de la instalación eléctrica

### ⚠ Cuidado:

- Asegúrese de instalar disyuntores en caja moldeada. Si no se instalan, se podrían producir descargas eléctricas.
- Use cables estándar de suficiente capacidad para las líneas eléctricas. Si no lo hace así, se podría producir un cortocircuito, un sobrecalentamiento o un incendio.
- Cuando instale las líneas eléctricas, los cables no deben tener corriente.
- Asegúrese de conectar la unidad a tierra. Si la unidad no está bien conectada a la línea de tierra, se puede producir una descarga eléctrica.
- Utilice disyuntores (interruptor de falta de tierra, interruptor aislante (fusible +B) y disyuntor en caja moldeada) con la capacidad especificada. Si la capacidad del disyuntor es mayor que la especificada, puede producirse un incendio o una avería.

## 1.4. Antes de realizar las pruebas de funcionamiento

### ⚠ Cuidado:

- Conecte la corriente más 12 horas antes de que empiece a funcionar el equipo. Si se pone en marcha inmediatamente después de haberlo conectado a la corriente, pueden producirse daños graves en las piezas internas.
- Antes de que comience a funcionar el equipo, compruebe que todos los paneles y protectores estén instalados correctamente. Las piezas giratorias, calientes o de alto voltaje pueden provocar lesiones.
- No haga funcionar el equipo de aire acondicionado sin el filtro de aire instalado. Si el filtro de aire no está colocado, se puede acumular el polvo y se puede averiar el equipo.
- No toque ningún interruptor con las manos mojadas. Puede sufrir una descarga eléctrica.
- No toque la tubería del refrigerante sin guantes durante el funcionamiento.
- Una vez deje de funcionar el aparato, espere al menos cinco minutos antes de apagar el interruptor principal. De lo contrario, se puede producir una fuga de agua o una avería.



## 2. Lugar en que se instalará

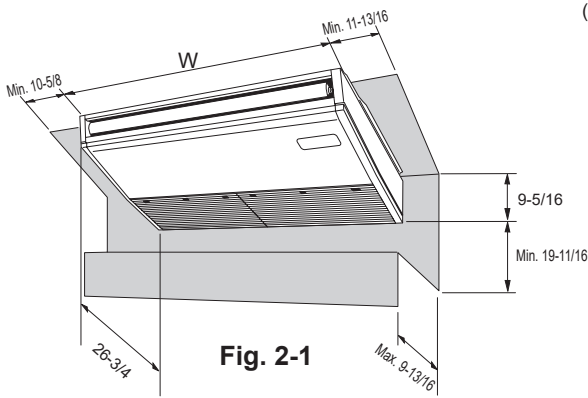


Fig. 2-1

## 3. Instalación de la unidad interior

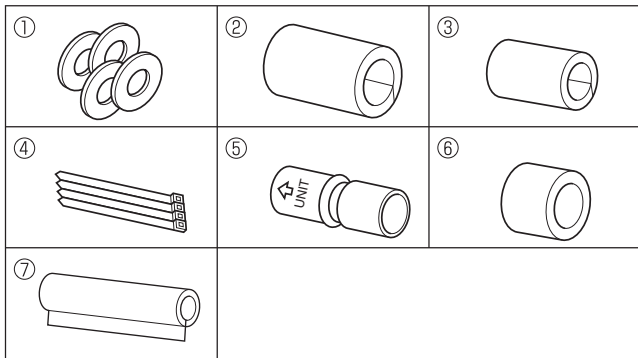


Fig. 3-1

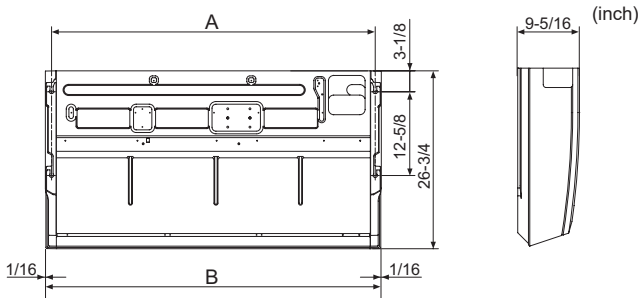


Fig. 3-2

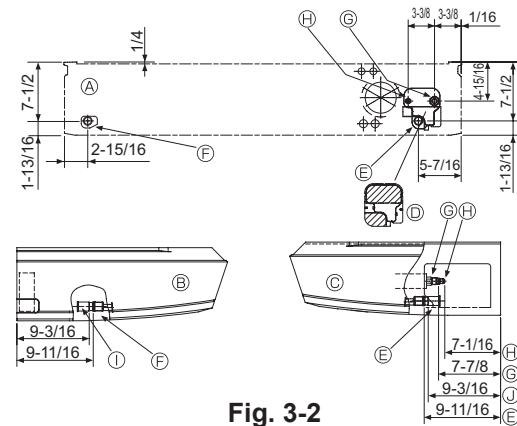


Fig. 3-3

(inch)

### 2.1. Dimensiones exteriores (Unidad interior) (Fig. 2-1)

Seleccione una posición adecuada, de forma que queden las siguientes distancias para proceder a la instalación y al mantenimiento.

(inch)

Modelos	W
A24, 30	50-3/8
A36, 42	63

#### ⚠ Atención:

Instale la unidad interior en un techo suficientemente fuerte para soportar el peso de la unidad.

### 2.2. Dimensiones exteriores (Unidad exterior)

Consulte el manual de instalación de la unidad exterior.

### 3.1. Comprobación de los accesorios de la unidad interior (Fig. 3-1)

La unidad interior debe ir acompañada de las siguientes piezas de repuesto y accesorios (estos componentes deben encontrarse en el interior de la rejilla de admisión).

	Nombre accesorio	Cant.
①	Arandelas	4
②	Tapón de tubería	1 Tamaño grande (para la tubería del gas)
③	Tapón de tubería	1 Tamaño pequeño (para la tubería del líquido)
④	Bandas	4
⑤	Adaptador de junta	1 marcado "UNIT"
⑥	Tapón para el adaptador	1
⑦	Tapón para la tubería de drenaje	1

### 3.2. Preparación para la instalación (Fig. 3-2)

#### 3.2.1. Determinación de las posiciones de instalación de los pernos de suspensión

(inch)

Modelos	A	B
A24, 30	48-11/16	50-3/8
A36, 42	61-5/16	63

#### 3.2.2. Ubicación de los tubos de refrigerante y drenaje

- Ⓐ Salida de aire frontal
- Ⓑ Salida de aire lateral izquierda
- Ⓒ Salida de aire lateral derecha
- Ⓓ Pieza independiente (extraíble)
- Ⓔ Tubería de drenaje izquierda
- Ⓜ Tubería de drenaje derecha
- Ⓝ Tubería del gas
- Ⓢ Tubería del líquido
- Ⓚ Tapón de caucho
- Ⓛ con adaptador de junta ⑤

Al colocar la tubería trasera, asegúrese de retirar las porciones sombreadas de la ⑩ pieza independiente. A continuación, vuelva a colocar la ⑩ pieza independiente en la posición original.

(El intercambiador de calor puede haberse obstruido a causa del polvo)

#### 3.2.3. Selección de las posiciones de los tubos y de los pernos de suspensión (Fig. 3-3)

##### ⚠ Precaución:

Instale la unidad interior como mínimo 8 ft. (2,4m) por encima del nivel del suelo. El consumidor medio no puede acceder a estos aparatos eléctricos.

Usando la plantilla de papel que se suministra para hacer la instalación, seleccione la posición adecuada para los pernos de suspensión y para los tubos y haga los orificios correspondientes.

- Ⓐ Plantilla de papel
- Ⓑ Orificio para el perno de suspensión
- Ⓒ Ancho de la unidad interior

Asegure los pernos de suspensión o utilice anclajes angulares o armazones de madera escuadrados para la instalación de los pernos.

- Ⓚ Use insertos de 220 a 230 lbs (100 a 105 kg) cada uno.
- Ⓛ Use pernos de suspensión de tamaño W3/8 o M10 cada uno.

### 3. Instalación de la unidad interior

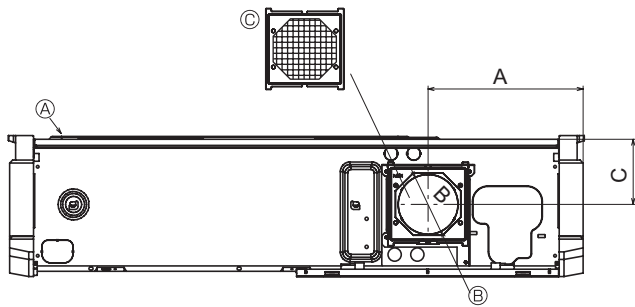


Fig. 3-4

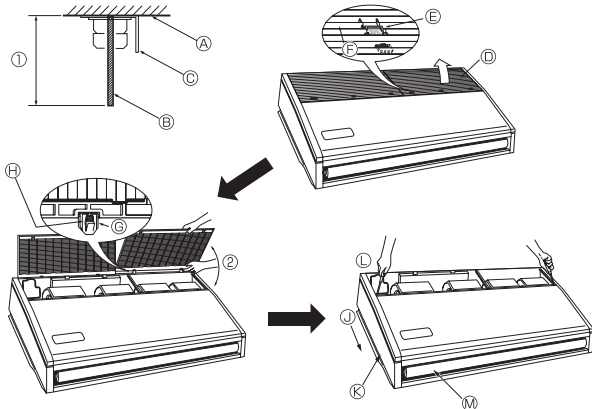


Fig. 3-5

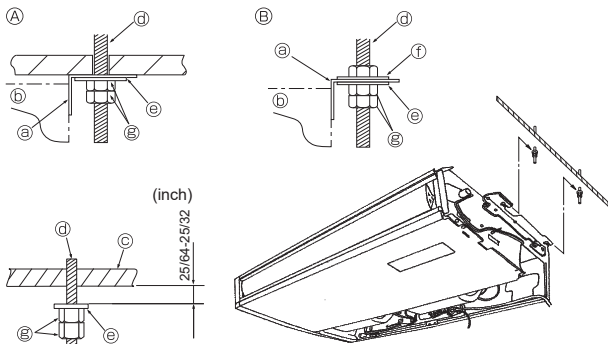


Fig. 3-6

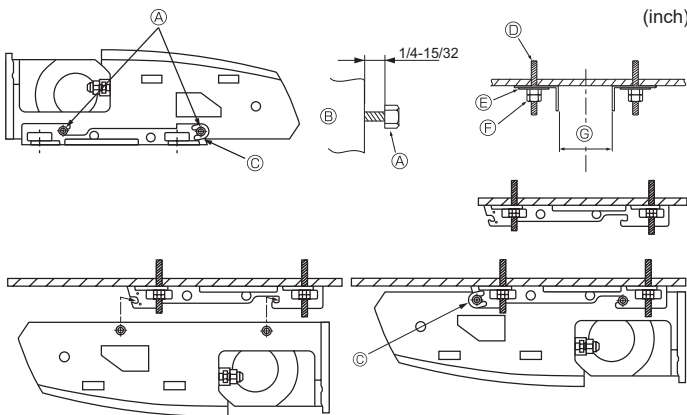


Fig. 3-7

#### 3.2.4. Orificio de entrada de aire fresco (Fig. 3-4)

En el momento de la instalación, utilice los orificios (desmontables) situados en las posiciones mostradas en el diagrama siguiente, cuando sea necesario.

- Ⓐ Unidad interior
- Ⓑ Orificio de entrada de aire fresco (orificio desmontable)
- Ⓒ Filtro

in. (mm)

A	B	C
10-3/16 (259,5)	ø 3-15/16 (ø 100)	4-5/16 (109)

#### 3.2.5. Preparación de la unidad interior (Fig. 3-5)

1. Instale los pernos de suspensión. (Adquiera pernos W3/8 o M10)  
Determine la distancia que dejará hasta el techo (① con un margen de 3-15/16 in. (100 mm)).  
Ⓐ Superficie del techo Ⓑ Perno de suspensión Ⓒ Soporte de suspensión
2. Quite la rejilla de admisión  
Tire hacia atrás de las 2 (3) pestañas de las rejilla de admisión para que pueda abrirla.
3. Quite el panel lateral  
Quite el panel lateral sacando los tornillos (uno a cada lado, a la izquierda y a la derecha) y tirando del panel lateral hacia afuera.  
Ⓓ Rejilla de admisión Ⓔ Tire del panel lateral hacia afuera  
Ⓔ Pestaña de sujeción de la rejilla Ⓕ Panel lateral  
Ⓕ Deslizar Ⓖ Retire los tornillos para quitar el panel lateral.  
Ⓖ Bisagra Ⓗ Retire el vinilo protector de la aleta.  
Ⓗ Empuje la bisagra para sacar la rejilla.  
Ⓘ Si fuerza la rejilla de entrada al abrirla o si la abre a un ángulo superior a 120° podría dañar las bisagras.

### 3.3. Instalación de la unidad interior (Fig. 3-6)

Dependiendo de si el techo tiene materiales de adorno o no, use el método de suspensión más adecuado según se indica a continuación.

- Ⓐ En caso de que haya materiales de adorno Ⓒ Techo
- Ⓑ Ausencia de materiales de adorno Ⓓ Perno de suspensión
- Ⓒ Soporte de suspensión Ⓔ Arandela ①
- Ⓓ Unidad Ⓕ Arandela (no suministrada)
- Ⓔ Tuercas dobles

#### 1) Suspensión directa de la unidad

Procedimientos de instalación

1. Instale la arandela ① (suministrada con la unidad) y las tuercas (no suministrada).
2. Monte (enganche) la unidad por medio de los pernos de suspensión.
3. Apriete las tuercas.

Comprobación de las condiciones de instalación de la unidad.

- Compruebe que la unidad haya quedado en posición horizontal de izquierda a derecha.
- Compruebe que la parte delantera y trasera de los soportes de suspensión se encuentran completamente horizontales.  
(Para mantener un buen drenaje, la unidad queda inclinada en los soportes de suspensión. La unidad se inclina continuamente hacia abajo desde la parte delantera a la trasera, siendo esta la posición correcta de instalación.)

#### 2) Instalación en el techo, en primer lugar, del soporte de suspensión (Fig. 3-7)

Procedimientos de instalación

1. Retire los soportes de suspensión y las arandelas en forma de U de la unidad.
2. Ajuste los pernos de sujeción del soporte de suspensión en la unidad.
3. Sujete los soportes de suspensión a los pernos correspondientes.
4. Compruebe que los soportes de suspensión se encuentran completamente horizontales (desde la parte delantera a la trasera / desde la parte derecha a la izquierda).
5. Monte (enganche) la unidad en los soportes de suspensión.
6. Apriete saetas fijas de los soportes de suspensión.

※ Asegúrese de instalar las arandelas en forma de U.

- Ⓐ Perno de sujeción del soporte de suspensión
- Ⓑ Unidad
- Ⓒ arandela en forma de U
- Ⓓ Perno de suspensión
- Ⓔ Arandela ①
- Ⓕ Tuercas dobles

(inch)

Ⓐ A24, 30	47 - 5/16
Ⓒ A36, 42	59 - 7/8

## 4. Instalación de los tubos del refrigerante

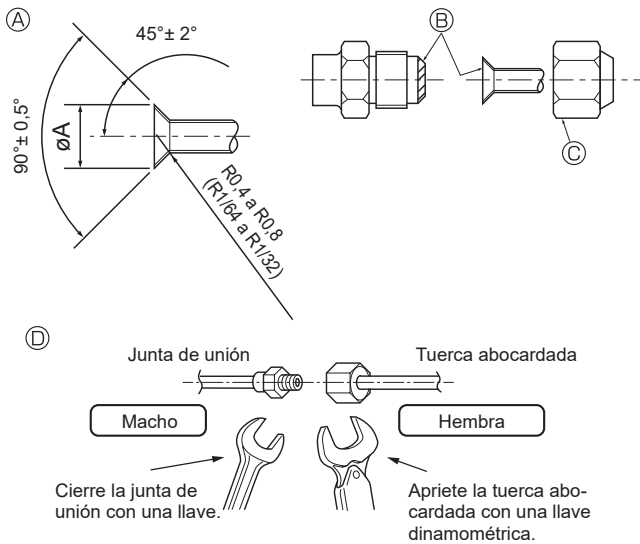


Fig. 4-1

① Dimensiones del corte abocinado in. (mm)

Tubo de cobre O.D.	Dimensiones de abocinado dimensiones $\phi A$
1/4" ( $\phi 6,35$ )	11/32-23/64 (8,7 - 9,1)
3/8" ( $\phi 9,52$ )	1/2-33/64 (12,8 - 13,2)
1/2" ( $\phi 12,7$ )	41/64-21/32 (16,2 - 16,6)
5/8" ( $\phi 15,88$ )	49/64-25/32 (19,3 - 19,7)
3/4" ( $\phi 19,05$ )	29/32-59/64 (22,9 - 23,3)

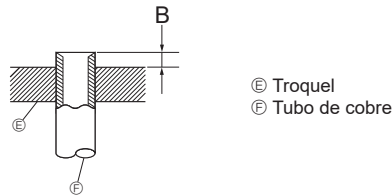


Fig. 4-2

Tubo de cobre O.D.	B	
	Herramienta abocinada para R410A	Tipo gancho
1/4" ( $\phi 6,35$ )	0-1/64 (0 - 0,5)	
3/8" ( $\phi 9,52$ )	0-1/64 (0 - 0,5)	
1/2" ( $\phi 12,7$ )	0-1/64 (0 - 0,5)	
5/8" ( $\phi 15,88$ )	0-1/64 (0 - 0,5)	
3/4" ( $\phi 19,05$ )	0-1/64 (0 - 0,5)	

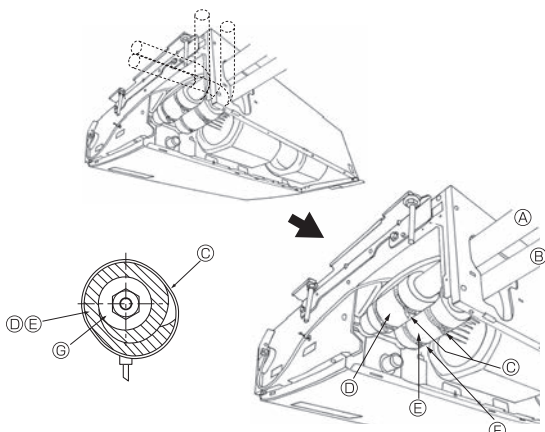


Fig. 4-3

### 4.1. Precauciones

#### Para aparatos con refrigerante R410A

- Utilice aceite de alquilobenceno (en pequeñas cantidades) para recubrir las secciones abocardadas.
- Utilice tubos de cobre fosforoso del tipo C1220 y tubos de aleación de cobre sin costuras para conectar los tubos del refrigerante. Utilice tuberías para refrigerante del grosor especificado en la tabla siguiente. Asegúrese de que el interior de las tuberías está limpio y que no contienen ningún contaminante nocivo como compuestos sulfúricos, oxidantes, restos o polvo.

#### ⚠ Atención:

Cuando instale o cambie de sitio el acondicionador de aire, o al realizar tareas de mantenimiento, utilice únicamente el refrigerante indicado en la unidad exterior para cargar los tubos del refrigerante. No lo mezcle con otro tipo de refrigerante y vacíe completamente de aire los tubos.

Si el aire se mezcla con el refrigerante, podría producir una tensión anormalmente alta en el tubo del refrigerante y ocasionar una explosión u otros peligros.

Usar un refrigerante distinto al indicado para el sistema provocará un fallo mecánico, un funcionamiento defectuoso del sistema o la avería de la unidad. En el peor de los casos, podría suponer un grave impedimento para garantizar la seguridad del producto.

in. (mm)

	A24, 30, 36, 42
Tubo de líquido	3/8" ( $\phi 9,52$ ) grosor 1/32" (0,8)
Tubo de gas	5/8" ( $\phi 15,88$ ) grosor 3/64" (1,0)

- No utilice tubos con un grosor menor del especificado a continuación.

### 4.2. Tubos de conexión (Fig. 4-1)

- Si se utilizan tubos de cobre convencionales, envuelva los tubos de gas y líquido con materiales aislantes (resistente al calor hasta 212°F (100 °C) o más, espesor de 1/2 in. (12 mm) o más).
- Las piezas interiores del tubo de drenaje tienen que estar envueltas en materiales aislantes de espuma de polietileno (gravedad específica de 0,03 y espesor de 23/64 in. (9 mm) o más).
- Abocarde los extremos de los tubos de refrigerante. ①
- Aplique aceite refrigerante para máquinas sobre toda la superficie abocinada. ②
- Utilice las tuercas abocardadas como se indica. ③
- Para hacer la conexión, alinee primero el centro y apriete las primeras 3 o 4 vueltas de la tuerca abocardada con la mano.
- Utilice 2 llaves para apretar las conexiones de los tubos. ④
- Utilice el aislante de tubería de refrigerante suministrado para aislar las conexiones de la unidad interior. Realice los aislamientos con cuidado.

#### ⑤ Torsión de apriete de la tuerca abocardada

Tubo de cobre O.D.(mm, inch)	Tuerca de abocardado O.D.(mm, inch)	Torsión de apriete (N·m, ft·lbs)
$\phi 6,35$ , 1/4	17, 43/64	14-18, 10-13
$\phi 6,35$ , 1/4	22, 7/8	34-42, 25-30
$\phi 9,52$ , 3/8	22, 7/8	34-42, 25-30
$\phi 12,7$ , 1/2	26, 1-3/64	49-61, 35-44
$\phi 15,88$ , 5/8	29, 1-9/64	68-82, 49-59
$\phi 15,88$ , 5/8	36, 1-27/64	100-120, 71-86
$\phi 19,05$ , 3/4	36, 1-27/64	100-120, 71-86

#### ⚠ Atención:

- ¡Tenga cuidado de no soltar la tuerca abocardada! (Presurización interna) Extraiga la tuerca abocardada como se indica:
  1. Afloje la tuerca hasta que escuche un silbido.
  2. No extraiga la tuerca hasta que se haya liberado completamente el gas (es decir, hasta que se detenga el silbido).
  3. Compruebe que se haya liberado completamente el gas y extraiga la tuerca.
- Al instalar la unidad, conecte firmemente las tuberías de refrigerante antes de poner en marcha el compresor.

### 4.3. Unidad interior (Fig. 4-3)

#### Procedimientos de instalación

1. Ponga el tapón ② que se adjunta sobre la tubería del gas hasta que presione contra la placa metálica que hay dentro de la unidad.
2. Ponga el tapón ③ que se adjunta sobre la tubería del líquido hasta que presione contra la placa metálica que hay dentro de la unidad.
3. Sujete los tapones ② y ③ en ambos extremos 3/4 in. (20 mm) con las bandas proporcionadas ④.

- ① Tubería del gas
- ② Tapón de tubería ③
- ③ Tubería del líquido
- ④ Apriete el tapón de la tubería contra la placa metálica.
- ④ Banda ④
- ⑤ Material aislante contra el calor de la tubería refrigerante
- ⑤ Tapón de tubería ②

### 4.4. Para combinaciones dobles

Consulte el manual de instalación de la unidad exterior.

## 5. Tubería de drenaje

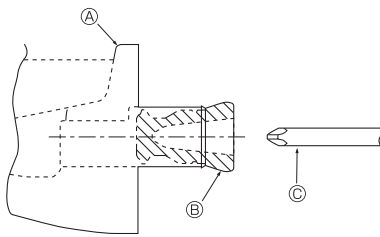


Fig. 5-1

- Para instalar la tubería del lado izquierdo, asegúrese que ha colocado el tapón de caucho en la abertura del lado derecho. (Fig. 5-1)
- Utilice VP20 (tubo de PVC de  $\varnothing 26$ , 1 inch) para el tubo de drenaje y prevea una pendiente de descenso de 1/100 o más.
- Cuando haya acabado, compruebe la salida del tubo de drenaje para asegurarse de que se realiza de forma correcta.
  - Ⓐ Depósito de drenaje
  - Ⓑ Tapón
  - Ⓒ Inserte la llave, etc. completamente dentro del tapón.

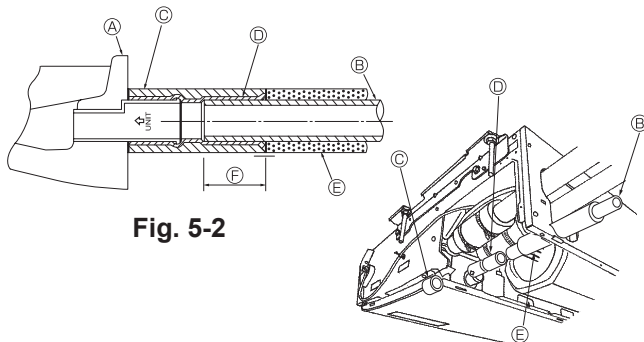


Fig. 5-2

### Procedimientos de instalación (Fig. 5-2)

1. Sujete el adaptador de junta ⑤ que se suministra con la unidad en la abertura de drenaje con cinta plástica adhesiva.
2. Asegure el tapón del adaptador ⑥, que se suministra con la unidad, en el adaptador de la junta ⑤.
3. Conecte el tubo de drenaje (VP-20) al adaptador de junta ⑤ con cinta adhesiva plástica.
4. Enrosque el tapón ⑦ del tubo de drenaje suministrado con la unidad. (Tapando la junta)
  - Ⓐ Depósito de drenaje
  - Ⓑ Tubo de drenaje
  - Ⓒ Tapón del adaptador ⑥
  - Ⓓ Adaptador de junta ⑤
  - Ⓔ Tapón del tubo de drenaje ⑦
  - Ⓕ Longitud de inserción 1-15/32 in. (37mm)

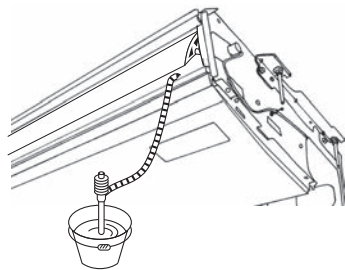


Fig. 5-3

### 5. Comprobación de un drenaje correcto. (Fig. 5-3)

- \* Llene el depósito de drenaje con 1 litro de agua aproximadamente vertida desde la salida de aire.

## 6. Trabajo eléctrico

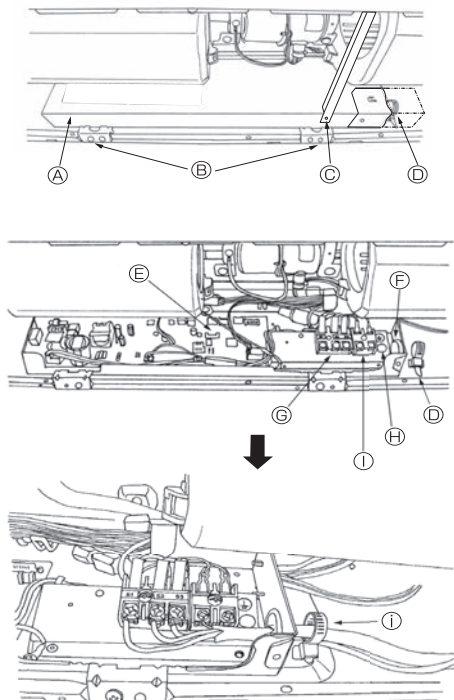


Fig. 6-1

### 6.1. Cableado eléctrico

#### Procedimientos de cableado

1. Retire el tornillo ③ y a continuación extraiga la barra.
2. Extraiga los (2) tornillos ② y saque la cubierta ① de la parte eléctrica.
3. <Para el controlador remoto cableado>  
Conecte firmemente los cables eléctricos a sus terminales correspondientes (Fig. 6-1)
4. Vuelva a poner las piezas previamente retiradas.
5. Ate los cables con la abrazadera que hay en el lado derecho de la caja eléctrica.
  - Ⓐ Tapa
  - Ⓑ Tornillos (2 piezas)
  - Ⓒ Tornillos (Viga)
  - Ⓓ Prensaestopas
  - Ⓔ Placa del controlador interior
  - Ⓕ Entrada para servicio de los cables
  - Ⓖ Conector del cable de tierra
  - Ⓗ Bloque de terminales para el controlador remoto cableado
  - Ⓘ Asegurar con el prensaestopas.
  - Ⓛ Bloque de terminales para la conexión de las unidades interior y exterior

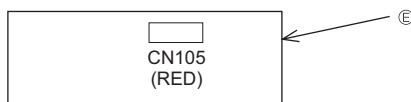


Fig. 6-2

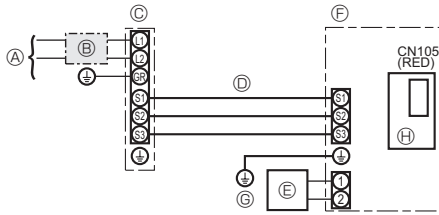
## 6. Trabajo eléctrico

### 6.1.1. Alimentación de la unidad interior suministrada por la unidad exterior

Están disponibles los siguientes patrones de conexión.

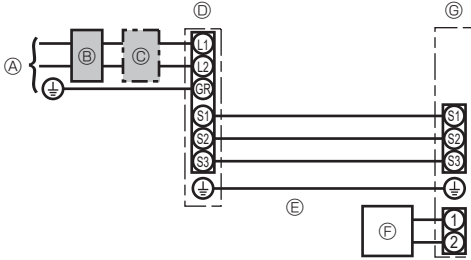
Los patrones de la fuente de alimentación de la unidad exterior varían en función del modelo.

#### Sistema 1:1



- Ⓐ Alimentación de la unidad exterior
- Ⓑ Disyuntor de cableado o interruptor aislante
- Ⓒ Unidad exterior
- Ⓓ Cables de conexión de la unidad interior/unidad exterior
- Ⓔ Controlador remoto cableado (Piezas opcionales)
- Ⓕ Unidad interior
- Ⓖ Cable a tierra de la unidad interior
- Ⓗ Placa del controlador interior

\* Coloque una de las etiquetas A incluidas con los manuales cerca de cada esquema de cableado de las unidades interiores y exterior.



- Ⓐ Alimentación de la unidad exterior
- Ⓑ Disyuntor automático de fugas a tierra
- Ⓒ Disyuntor de cableado o interruptor aislante
- Ⓓ Unidad exterior
- Ⓔ Cables de conexión de la unidad interior/unidad exterior
- Ⓕ Controlador remoto
- Ⓖ Unidad interior

\* Coloque una de las etiquetas A incluidas con los manuales cerca de cada esquema de cableado de las unidades interiores y exterior.

El tipo de cable de tierra aplicado depende de la unidad exterior.

Consulte el Manual de instalación de la unidad exterior conectada.

Modelo de la unidad interior	PCA-A24, 30KA8	PCA-A36, 42KA8
Amperaje mínimo del circuito	1A	2A
Capacidad máxima del dispositivo de protección contra sobrecorriente	15A	
Cableado Cable n° x tamaño	Unidad interior-unidad exterior *1	3 × AWG14 (polar)
	Cable a tierra de la unidad interior	1 × Min. AWG14
	Controlador remoto cableado-Unidad interior *2	2 × AWG22 (Sin polaridad, no blindado)
Rango del circuito	Unidad interior-unidad exterior S1-S2 *3	208/230 V CA
	Unidad interior-unidad exterior S2-S3 *3	24 V CC/28 V CC
	Controlador remoto cableado-Unidad interior *3	12 V CC

\*1. Máx. 50 m, 165 ft

\*2. Máx. 500 m, 1640 ft (Para dos controladores remotos cableados: máx. 200 m, 656 ft)

\*3. Los valores NO siempre se aplican a la toma a tierra.

El terminal S3 dispone de 24 V CC/28V CC frente al terminal S2. Entre S3 y S1, estos terminales no están aislados eléctricamente por el transformador u otro dispositivo.

- Notas:**
1. El diámetro de los cables debe cumplir la normativa local y nacional.
  2. Los cables de alimentación y los que conectan la unidad interior y la exterior deben tener una resistencia mínima equiparable a los cables flexibles revestidos de policloropreno. (Diseño 60245 IEC 57)
  3. Utilizar cables de alimentación de cobre.
  4. Utilizar conductores UL con una capacidad de 300 V o superior para los cables de alimentación y los cables de conexión de la unidad interior / exterior.
  5. Instale un cable de toma de tierra más largo que el resto de los cables.
  6. Los cables de conexión de las unidades interior y exterior tienen distintas polaridades. Para realizar unos cableados correctos, compruebe que coincida el número de terminal (S1, S2, S3).
  7. Los cables del mando a distancia deberán situarse alejados (5 cm, 2 pulgadas como mínimo) de los cables de alimentación, de modo que no se vean afectados por el ruido eléctrico generado por los cables de alimentación.
  8. Este aparato incorpora una conexión a tierra con finalidades exclusivamente funcionales.

#### ⚠ Atención:

No empalme nunca el cable de corriente o el cable de la conexión interior-exterior, de lo contrario se podrían provocar humo, un incendio o un fallo en la comunicación.

## 6.2. Control remoto (Piezas opcionales)

### 6.2.1. Para el controlador remoto cableado

#### 1) Ajuste de dos controladores remotos cableados

Si se conectan dos controladores remotos cableados, defina uno como "Principal" y el otro como "Subordinado".

Para conocer los procedimientos de ajuste, consulte "Selección de función" en el manual de instrucciones de la unidad interior.

#### Nota:

Cuando conecte dos controladores remotos, asegúrese de utilizar el mismo modelo de controlador remoto.



## 6. Trabajo eléctrico

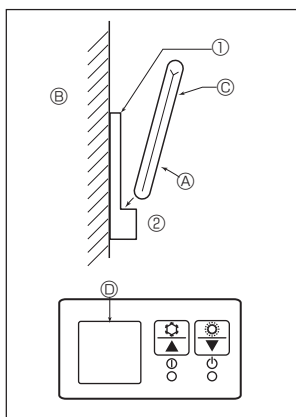


Fig. 6-3

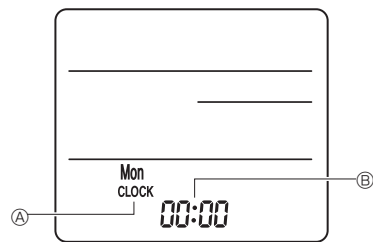


Fig. 6-4

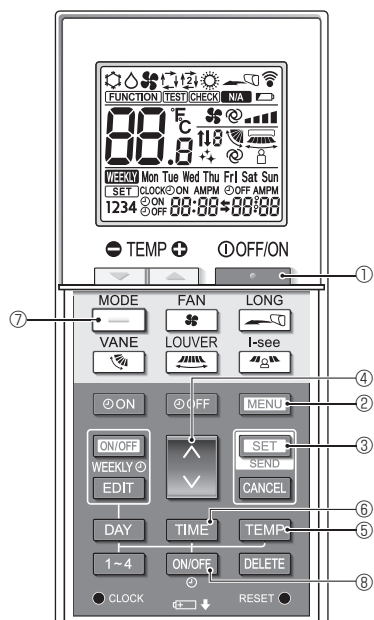


Fig. 6-5

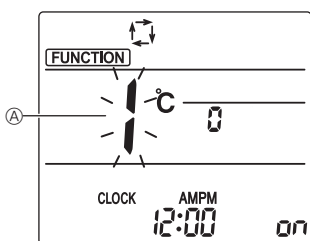


Fig. 6-6

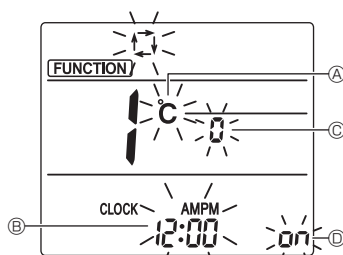


Fig. 6-7

### 6.2.2. Para el controlador remoto inalámbrico

#### 1) Zona de instalación

- El mando a distancia no debe estar expuesto a la luz solar directa.
- No debe estar cerca de fuentes de calor.
- El mando a distancia no debe estar expuesto a corrientes de aire frío (o caliente).
- El mando a distancia debe colocarse donde pueda manejarse con facilidad.
- El mando a distancia debe estar fuera del alcance de los niños.

#### 2) Método de instalación (Fig. 6-3)

- 1) Fije el soporte del mando a distancia en el lugar deseado con 2 tornillos roscados.
- 2) Coloque el extremo inferior del mando en el soporte.

A) Mando a distancia B) Pared C) Panel de visualización D) Receptor

- La señal alcanza aproximadamente hasta 7 metros (en línea recta), con un ángulo de 45 grados a la izquierda y a la derecha de la línea central del receptor.

#### 3) Configuración (Ajuste del reloj) (Fig. 6-4)

- 1) Inserte las baterías o pulse el ● CLOCK botón con algún objeto puntiagudo. [CLOCK] (RELOJ) A) y [:] B) parpadean.

- 2) Pulse el botón RESET ● con algún objeto puntiagudo.

- 3) Pulse el botón ↓ para configurar la hora.

Pulse el botón DAY para configurar el día.

- 4) Pulse el botón ● CLOCK con algún objeto puntiagudo.

[CLOCK] (RELOJ) y [:] se iluminan.

#### 4) Ajuste de visualización del modo (para el ajuste de solo refrigeración)

(El ajuste predeterminado es "COOL/DRYING/AUTO/FAN/HEAT")

1. Pulse el botón \* 1 para detener el acondicionador de aire.

2. Pulse el botón SET 3 en 5 segundos. Se visualizará la pantalla de configuración del modelo.

3. Pulse el botón — 7. El modo de funcionamiento A) parpadea. (Fig. 6-5)

4. Pulse el botón ↑ 4 para cambiar el n.º de ajuste.

5. Compruebe que se muestra el ajuste n.º "6" y que solo parpadee ☀️ en el modo de funcionamiento A), y luego pulse el botón SET 3 en 5 segundos.

#### 5) Configuración inicial

Los siguientes ajustes se pueden definir en el modo de ajuste inicial.

Elemento	Configuración	Fig. 6-7
Unidad de temperatura	°C/°F	A)
Visualización de la hora	Formato 12 horas/Formato 24 horas	B)
N.º de par	0-3	C)
Luz de fondo	On/Off	D)

#### 5-1. Cambiar al modo de ajuste inicial

1. Pulse el botón \* 1 para detener el acondicionador de aire.

2. Pulse el botón MENU 2.

Se mostrará la pantalla de configuración de funciones y parpadeará el n.º de función A). (Fig. 6-6)

Pulse el botón ↓ 4 para cambiar el n.º de función.

3. Compruebe que se muestra la función N.º "1", y luego pulse el botón SET 3.

Se visualizará la pantalla de configuración de la visualización. (Fig. 6-7)

#### 5-2. Cambiar la unidad de temperatura A)

- Pulse el botón TEMP 5.

Cada vez que pulse el botón TEMP 5, el ajuste cambiará de °C a °F.

°C: La temperatura se muestra en grados Celsius.

°F: La temperatura se muestra en grados Fahrenheit.

#### 5-3. Cambiar la visualización de la hora B)

- Pulse el botón TIME 6.

Cada vez que pulse el botón TIME 6, el ajuste cambiará de 12:00 a 24:00.

12:00: La hora se visualiza en el formato de 12 horas.

24:00: La hora se visualiza en el formato de 24 horas.

#### 5-4. Cambiar el N.º de par C)

- Pulse el botón ↓ 4.

Cada vez que pulse el botón ↑ 4, cambia el N.º de par 0-3.

Nº de par del mando a distancia inalámbrico	Placa del PC interior
0	Configuración inicial
1	Cut J41
2	Cut J42
3	Cut J41, J42

#### 5-5. Cambiar el ajuste de la luz de fondo D)

- Pulse el botón ON/OFF 8.

Cada vez que pulse el botón ON/OFF 8, el ajuste cambiará de on a off.

on: La luz de fondo se enciende al pulsar un botón.

off: La luz de fondo no se enciende al pulsar un botón.

## 6. Trabajo eléctrico

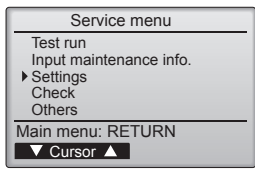


Fig. 6-8

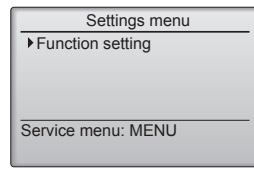


Fig. 6-9

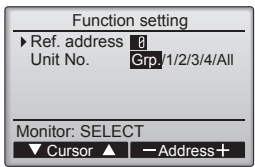


Fig. 6-10

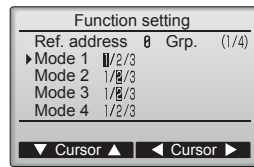


Fig. 6-11

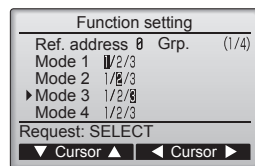


Fig. 6-12

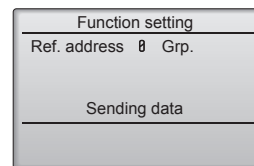


Fig. 6-13

### 6.3. Ajuste de funciones

#### 6.3.1. Por medio del mando a distancia con cable

① (Fig. 6-8)

- Seleccione "Service" (Revisión) desde el Menú principal, y pulse el botón [SELECT/HOLD].
- Seleccione "Settings" (Ajustes) desde el menú Servicio, y pulse el botón [SELECT/HOLD].

② (Fig. 6-9)

- Seleccione "Function setting" (Configuración de funciones) con el botón [SELECT/HOLD].

③ (Fig. 6-10)

- Establezca las direcciones del refrigerante de la unidad interior y los números de unidad con los botones [F1] a [F4] y luego pulse el botón [SELECT/HOLD] para confirmar el ajuste actual.

#### <Comprobar la Unidad interior nº>

Cuando se pulse el botón [SELECT/HOLD], empezará a funcionar el ventilador de la unidad interior. Si la unidad es común o si están funcionando todas las unidades, empezará a funcionar el ventilador de todas las unidades interiores para la dirección de refrigerante seleccionada.

④ (Fig. 6-11)

- Una vez completada la recopilación de datos de las unidades interiores, aparecen resaltados los ajustes actuales. Los elementos sin resaltar indican que no se ha realizado ninguna configuración de funciones. El aspecto de la pantalla varía en función de la configuración de "Nº Unid".

⑤ (Fig. 6-12)

- Utilice el botón [F1] o [F2] para mover el cursor y seleccionar el número de modo, y cambie el número de ajuste con el botón [F3] o [F4].

⑥ (Fig. 6-13)

- Una vez completados los ajustes, pulse el botón [SELECT/HOLD] para enviar los datos de configuración del controlador remoto a las unidades interiores.
- Una vez completada la transmisión, se volverá a la pantalla Configuración de funciones.



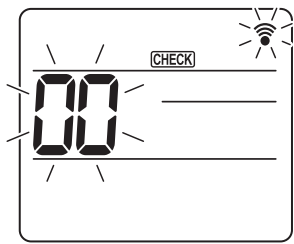


Fig. 6-14

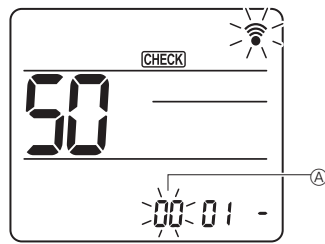


Fig. 6-15

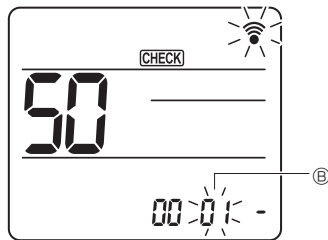


Fig. 6-16

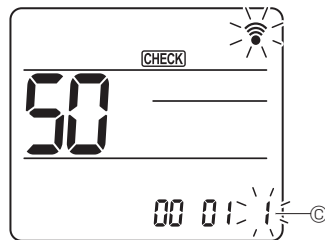


Fig. 6-17

### 6.3.2. Mediante el mando a distancia inalámbrico

- ① Vaya al modo de selección de función  
 Pulse el botón **MENU** unos 5 segundos.  
 (Inicie esta operación con la pantalla de estado del mando a distancia apagada).  
 [CHECK] (COMPROBAR) se ilumina y "00" parpadea. (Fig. 6-14)  
 Pulse el botón **↓** para seleccionar "50".  
 Apunte el mando a distancia inalámbrico hacia el receptor de la unidad interior y pulse el botón **SET**.
- ② Configuración del número de unidad  
 Pulse el botón **↓** para seleccionar el número de unidad **A**. (Fig. 6-15)  
 Apunte el mando a distancia inalámbrico hacia el receptor de la unidad interior y pulse el botón **SET**.
- ③ Seleccione un modo  
 Pulse el botón **↓** para seleccionar el número de modo **B**. (Fig. 6-16)  
 Apunte el mando a distancia inalámbrico hacia el receptor de la unidad interior y pulse el botón **SET**.  
 Número de configuración en uso: 1=1 pitido (1 segundo)  
   2=2 pitidos (de 1 segundo cada uno)  
   3=3 pitidos (de 1 segundo cada uno)
- ④ Seleccione el número de ajuste  
 Utilice el botón **↑** para cambiar el número de ajuste **C**. (Fig. 6-17)  
 Apunte el mando a distancia inalámbrico hacia el receptor de la unidad interior y pulse el botón **SET**.
- ⑤ Para seleccionar múltiples funciones continuamente  
 Repita la selección de ③ y ④ para cambiar de manera continua los ajustes de varias funciones.
- ⑥ Para seleccionar la función completa  
 Apunte el mando a distancia inalámbrico hacia el sensor de la unidad interior y pulse el botón **OFF/ON**.

#### Nota:

- Realice los ajustes anteriores en las unidades según sea necesario.
- La tabla 1 resume las opciones de ajuste para cada número de modo.
  - Asegúrese de anotar los ajustes para todas las funciones si alguno de los ajustes iniciales se ha cambiado tras completar el trabajo de instalación.

## 6. Trabajo eléctrico

### Tabla de funciones

Seleccione el número de unidad "Grp."

Modo	Ajustes	Núm. de modo	Núm. de ajuste	Configuración inicial	Ajuste
Recuperación automática de fallo de alimentación	No disponible	01	1		
	Disponible *1		2	O *2	
Detección de la temperatura de la sala	Media de funcionamiento de la unidad interior	02	1	O	
	Ajustada por el control remoto de la unidad interior		2		
	Sensor interno del control remoto		3		
Conectividad LOSSNAY	No soportada	03	1	O	
	Soportada (la unidad interior no está equipada con entrada de aire del exterior)		2		
	Soportada (la unidad interior está equipada con entrada de aire del exterior)		3		
Voltaje de alimentación	230 V	04	1	O	
	208 V		2		

Seleccione los números de unidad de 1 a 4 u "All"

Modo	Ajustes	Núm. de modo	Núm. de ajuste	Configuración inicial	Ajuste
Señalización de filtro	100 horas	07	1		
	2500 horas		2	O	
	Sin indicador de señalización del filtro		3		
Velocidad del ventilador	Silencioso	08	1		
	Normal		2	O	
	Techo alto		3		
Opciones instaladas (filtro de alta eficiencia)	No soportado	10	1	O	
	Soportado		2		
Ajuste de las aletas de movimiento vertical	Sin aletas	11	1		
	Equipado con aletas (Configuración del ángulo de las paletas ①)		2	O	
	Equipado con aletas (Configuración del ángulo de las paletas ②)		3		
Velocidad del ventilador mientras el termostato de refrigeración está desactivado	Ajustar la velocidad del ventilador	27	1		
	Parada		2		
	Extra baja		3	O	

\*1 Cuando la corriente eléctrica vuelva a estar disponible, el aire acondicionado tardará 3 minutos en encenderse.

\*2 El ajuste inicial de recuperación automática de fallo de alimentación depende de la unidad exterior conectada.

## 6. Trabajo eléctrico

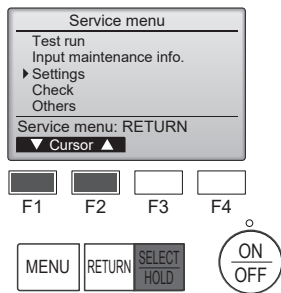


Fig. 6-18

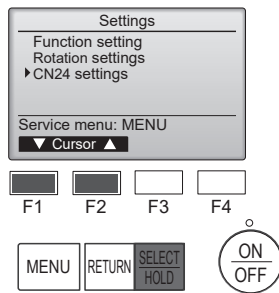


Fig. 6-19

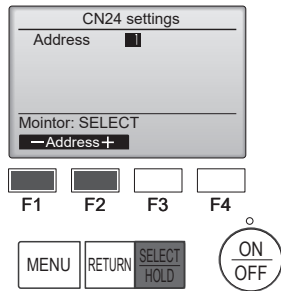


Fig. 6-20

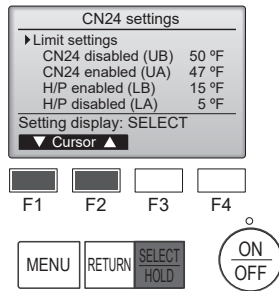


Fig. 6-21

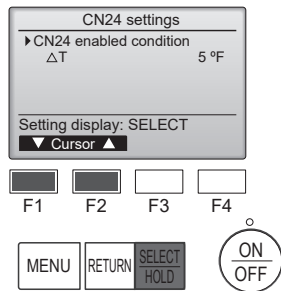


Fig. 6-22

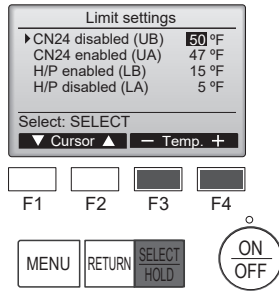


Fig. 6-23

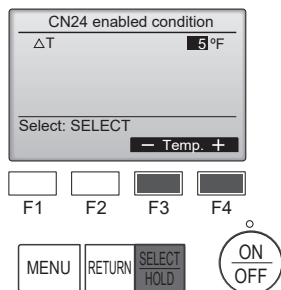


Fig. 6-24

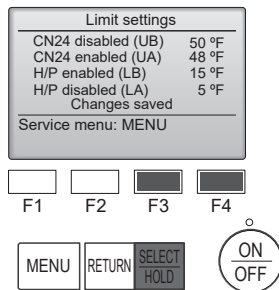


Fig. 6-25

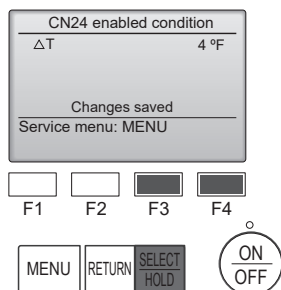


Fig. 6-26

### 6.4 Ajustes de CN24 (ajustes de almacenamiento masivo)

- El ajuste de encendido/apagado automático de la bomba de calor depende de la temperatura exterior
- El ajuste de encendido/apagado automático del calefactor a través de CN24 depende de la temperatura exterior o de la diferencia entre la temperatura ajustada y la temperatura ambiente interior.

① (Fig.6-18)

- Seleccione "Service" (Revisión) desde el menú principal, y pulse el botón [SELECT/HOLD].
- Seleccione "Settings" (Ajustes) con el botón [F1] o [F2] y pulse el botón [SELECT/HOLD].

② (Fig.6-19)

- Seleccione "CN24 settings" (Ajustes de CN24) con el botón [F1] o [F2] y pulse el botón [SELECT/HOLD].

③ (Fig.6-20)

- Establezca la dirección del refrigerante de la unidad interior con el botón [F1] o [F2] y pulse el botón [SELECT/HOLD].

④ (Fig.6-21, 6-22)

- Seleccione "Limit settings" (Ajustes del límite) o "CN24 ON condition" (Estado activado de CN24) con el botón [F1] o [F2] y pulse el botón [SELECT/HOLD].

⑤ (Fig.6-24, 6-26)

- Establezca  $\Delta T$  (diferencia entre la temperatura ambiente y la temperatura ajustada) con el botón [F3] o [F4] y pulse el botón [SELECT/HOLD].

⑥ (Fig.6-23, 6-25)

- Establezca UB, UA, LB, LA con el botón [F3] o [F4] y pulse el botón [SELECT/HOLD].

Unidad exterior conectada	UB		UA		LB		LA	
	Intervalo de configuración	Por defecto	Intervalo de configuración	Por defecto	Intervalo de configuración	Por defecto	Intervalo de configuración	Por defecto
PUZ-A**	32°F ~ 70°F	47°F	23°F ~ 61°F	38°F	-27°F ~ 52°F	-	-36°F ~ 43°F	-
PUZ-HA**	32°F ~ 70°F	47°F	23°F ~ 61°F	38°F	-27°F ~ 52°F	-	-36°F ~ 43°F	-
SUZ-KA09/12/15/18/24/30/36NA2	32°F ~ 70°F	47°F	23°F ~ 61°F	38°F	14°F ~ 52°F	-	5°F ~ 43°F	-
SUZ-KA09/12/15/18/24/30/36NAHZ	32°F ~ 70°F	47°F	23°F ~ 61°F	38°F	14°F ~ 52°F	-	5°F ~ 43°F	-
MXZ	32°F ~ 70°F	47°F	23°F ~ 61°F	38°F	14°F ~ 52°F	-	5°F ~ 43°F	-

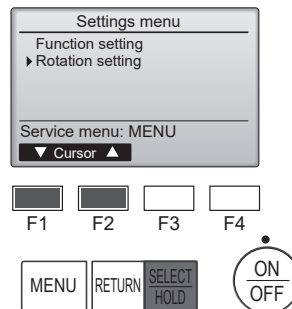
\*Si la unidad exterior no aparece en la tabla anterior, consulte los detalles en la IM exterior.

## 6. Trabajo eléctrico

### 6.5. Configuración de la rotación

Puede ajustar estas funciones mediante el controlador remoto cableado. (Monitor de mantenimiento)

- 1 Seleccione "Service" (Revisión) desde el menú principal y pulse el botón [SELECT/HOLD].
- 2 Seleccione "Settings" (Ajustes) con el botón [F1] o [F2] y pulse el botón [SELECT/HOLD].
- 3 Seleccione "Rotation setting" (Configuración de la rotación) con el botón [F1] o [F2], y pulse el botón [SELECT/HOLD].



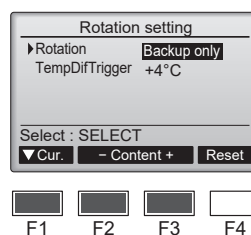
- 4 Ajuste la función de rotación.
  - Seleccione "Rotation" (Rotación) con el botón [F1].
  - Seleccione el período de conmutación o "Backup only" (Solo respaldo) con el botón [F2] o [F3].

#### ■ Opciones de la configuración de "Rotation" (Rotación)

Ninguno, 1 día, 3 días, 5 días, 7 días, 14 días, 28 días, Solo respaldo

Notas:

- Cuando se seleccionan de 1 a 28 días en las opciones de configuración, también se activa la función de respaldo.
- Cuando se selecciona "Backup only" (Solo respaldo), la función de rotación se desactiva. Los sistemas con direcciones del refrigerante 00 o 01 (sistema 00/sistema 01) funcionarán como sistema principal, mientras el sistema 02 se encuentra en el modo de espera como respaldo.



- 5 Configure la función de soporte.

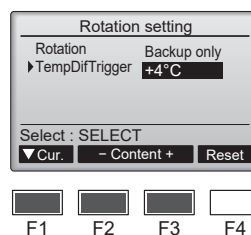
- Seleccione "TempDifTrigger" (AccionadorDifTemp) con el botón [F1].
- Seleccione la diferencia entre la temperatura de succión y la temperatura definida con el botón [F2] o [F3].

#### ■ Opciones de la configuración de "TempDifTrigger" (AccionadorDifTemp)

Ninguno, +4 °C, +6 °C, +8 °C

Notas:

- La función de soporte solo está disponible en el modo COOL (REFRIGERACIÓN). (No disponible en los modos HEAT (CALEFACCIÓN), DRY (DESHUMIDIFICACIÓN) y AUTO (AUTOMÁTICO)).
- La función de soporte se activa cuando se selecciona cualquier opción distinta a "None" (Ninguno) en las opciones de configuración de "Rotation" (Rotación).



- 6 Pulse el botón [SELECT/HOLD] para actualizar el ajuste.

#### Método de restablecimiento

- Pulse el botón [F4] en el paso ④ o ⑤ para restablecer el tiempo de funcionamiento de la función de rotación. Una vez restablecido, el funcionamiento se iniciará desde los sistemas con direcciones del refrigerante 00 o 01.

Nota: Cuando el sistema con dirección del refrigerante 02 está en funcionamiento de respaldo, los sistemas 00 o 01 se utilizarán de nuevo.

## 7. Prueba de funcionamiento

### 7.1. Antes de realizar las pruebas

- ▶ Después de la instalación de tubos y cables en las unidades interior y exterior, compruebe que no haya escapes de refrigerante, que no se haya aflojado ni la fuente de alimentación ni el cableado de control, que la polaridad no sea errónea y que no se haya desconectado ninguna fase de la alimentación.
- ▶ Utilice un megaohmímetro de 500 V para comprobar que la resistencia entre los bornes de alimentación y la tierra es como mínimo de 1,0 MΩ.

▶ No efectúe esta prueba en los bornes de los cables de control (circuito de bajo voltaje).

⚠ **Atención:**

No utilice el aire acondicionado si la resistencia de aislamiento es inferior a 1,0 MΩ.

### 7.2. Prueba de funcionamiento

#### 7.2.1. Al usar el controlador remoto cableado

- Lea siempre el manual de instrucciones antes de realizar la prueba. (Especialmente los elementos para garantizar la seguridad)

##### Paso 1 Active el equipo.

- Controlador remoto: el sistema entra en el modo de inicio, y parpadean el indicador luminoso de alimentación del controlador remoto (verde) y el mensaje "Please Wait" (ESPERE, POR FAVOR). Mientras el indicador y el mensaje están parpadeando, no puede utilizarse el controlador remoto. Espere a que no se visualice "Please Wait" (ESPERE, POR FAVOR) antes de utilizar el controlador remoto. Una vez activado el equipo, se visualizará "Please Wait" (ESPERE, POR FAVOR) en pantalla durante unos 3 minutos.
- Cuadro del controlador interior: el LED 1 estará iluminado, el LED 2 estará iluminado (si la codificación es 0) o apagado (si la codificación no es 0), y el LED 3 parpadeará.
- Cuadro del controlador exterior: el LED 1 (verde) y el LED 2 (rojo) estarán iluminados. (Una vez finalizado el modo de inicio del sistema, el LED 2 se apagará). Si el cuadro del controlador exterior utiliza una pantalla digital, se visualizará alternativamente [- ] y [ - ] cada segundo. Si las operaciones no funcionan correctamente después de realizar los procedimientos del paso 2 y posteriores, deben considerarse las siguientes causas y solucionarse si están presentes. (Los síntomas descritos a continuación aparecen durante el modo de prueba. La mención de "Startup" (Inicio) en la tabla se refiere a la pantalla de LEDs mencionada anteriormente).

Síntomas en el modo de prueba		Causa
Pantalla del controlador remoto	Pantalla de LEDs DEL CUADRO EXTERIOR < > indica pantalla digital.	
El controlador remoto muestra "Please Wait" (ESPERE, POR FAVOR) y no puede utilizarse.	Después de visualizarse "startup" (inicio), solo se ilumina el indicador verde. <00>	• Una vez activado el equipo, se visualiza "Please Wait" (ESPERE, POR FAVOR) durante 3 minutos mientras se inicia el sistema. (Normal)
Una vez activado el equipo, se visualiza "Please Wait" (ESPERE, POR FAVOR) durante 3 minutos y luego se visualiza un código de error.	Después de visualizarse "startup" (inicio), parpadean alternativamente los indicadores verde (una vez) y rojo (una vez). <F1>	• Conexión incorrecta del bloque de terminales exteriores (L1, L2, GR y S1, S2, S3).
	Después de visualizarse "startup" (inicio), parpadean alternativamente los indicadores verde (una vez) y rojo (dos veces). <F3, F5, F9>	• El conector del dispositivo de protección de la unidad exterior está abierto.
No se visualiza nada, aunque se haya activado el interruptor de funcionamiento del controlador remoto. (La luz de funcionamiento no se ilumina).	Después de visualizarse "startup" (inicio), parpadean alternativamente los indicadores verde (dos veces) y rojo (una vez). <EA, Eb>	• Cableado incorrecto entre la unidad interior y la exterior (polaridad incorrecta para S1, S2, S3.)
	Después de visualizarse "startup" (inicio), solo se ilumina el indicador verde. <00>	• El cable de transmisión del controlador remoto es corto. • No existe ninguna unidad exterior con codificación 0. (La codificación es distinta a 0). • El cable de transmisión del controlador remoto está abierto.
La pantalla se activa pero se desactiva enseguida, aunque se utilice el controlador remoto.	Después de visualizarse "startup" (inicio), solo se ilumina el indicador verde. <00>	• Después de cancelar la selección de funciones, no podrá utilizarse el equipo durante unos 30 segundos. (Normal)

##### Paso 2 Seleccione "Test run" (Modo prueba) desde el controlador remoto.

- 1 Seleccione "Test run" (Modo prueba) desde el Menú principal, y pulse el botón [SELECT/HOLD]. (Fig. 7-1)
- 2 Seleccione "Test run" (Modo prueba) desde el menú Modo prueba, y pulse el botón [SELECT/HOLD]. (Fig. 7-2)
- 3 Se inicia la prueba, y se visualiza la pantalla Modo prueba.

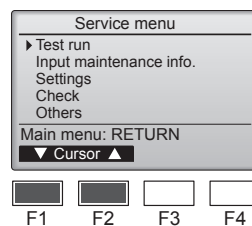


Fig. 7-1

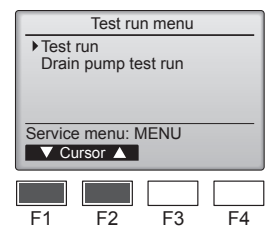


Fig. 7-2

##### Paso 3 Realice la prueba y compruebe la temperatura del flujo de aire y el sistema automático de desviación del aire.

- 1 Pulse el botón [F1] para cambiar el modo de funcionamiento. (Fig. 7-3)  
Modo de refrigeración: compruebe si sale aire frío de la unidad.  
Modo de calefacción: compruebe si sale aire caliente de la unidad.
- 2 Pulse el botón [SELECT/HOLD] para visualizar la pantalla de funcionamiento Lama, y luego pulse los botones [F1] y [F2] para comprobar el sistema automático de desviación del aire. (Fig. 7-4)  
Pulse el botón [RETURN] para volver a la pantalla Modo prueba.

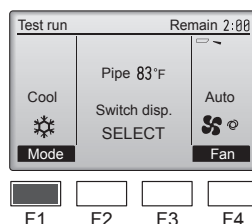


Fig. 7-3

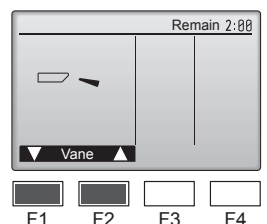


Fig. 7-4

## 7. Prueba de funcionamiento

### Paso 4 Confirme el funcionamiento del ventilador de la unidad exterior.

La velocidad del ventilador de la unidad exterior se controla para vigilar el rendimiento de la unidad. Dependiendo del aire del entorno, el ventilador girará a velocidad lenta y seguirá girando a dicha velocidad a menos que el rendimiento sea insuficiente. Por lo tanto, el viento exterior puede provocar que el ventilador deje de girar o que gire en dirección contraria, pero esto no indica un problema.

### Paso 5 Detenga la prueba.

① Pulse el botón [ON/OFF] para detener la prueba. (Aparecerá el menú Modo prueba).

Nota: si se visualiza un error en el controlador remoto, consulte la tabla siguiente.

LCD	Descripción del funcionamiento defectuoso	LCD	Descripción del funcionamiento defectuoso	LCD	Descripción del funcionamiento defectuoso
P1	Error del sensor de admisión	P9	Error del sensor del tubo (tubo de pared doble)	E0 – E5	Error de comunicación entre el controlador remoto y la unidad interior
P2	Error del sensor del tubo (tubo del líquido)	PA	Error de fuga (sistema de refrigerante)		
P4	Conector de conmutación del flotador de drenaje desconectado (CN4F)	Pb	Error en el motor del ventilador de la unidad interior		
		PL	Circuito de refrigeración anómalo		
P5	Funcionamiento de la protección contra desbordamiento de drenaje	FB	Error del cuadro del controlador interior	E6 – EF	Error de comunicación entre la unidad interior y la exterior
P6	Funcionamiento de la protección contra congelación/sobrecalentamiento	U*, F* (* indica un carácter alfanumérico excepto FB).	Funcionamiento anómalo de la unidad exterior. Consulte el diagrama de cableado para la unidad exterior.		
P8	Error de temperatura del tubo				

Consulte en la tabla siguiente los detalles de la pantalla de LEDs (LED 1, 2 y 3) en el cuadro del controlador interior.

LED 1 (alimentación del microordenador)	Indica si se suministra alimentación de control. Compruebe que este LED esté siempre iluminado.
LED 2 (alimentación del controlador remoto)	Indica si el controlador remoto cableado recibe alimentación. El LED solo se ilumina para la unidad interior conectada a la unidad exterior con una codificación 0.
LED 3 (comunicación entre la unidad interior/exterior)	Indica si las unidades interior y exterior se comunican entre sí. Compruebe que este LED esté siempre parpadeando.

### 7.2.2. Utilizar el controlador remoto inalámbrico

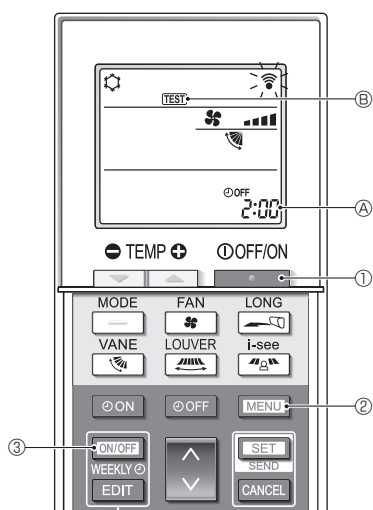
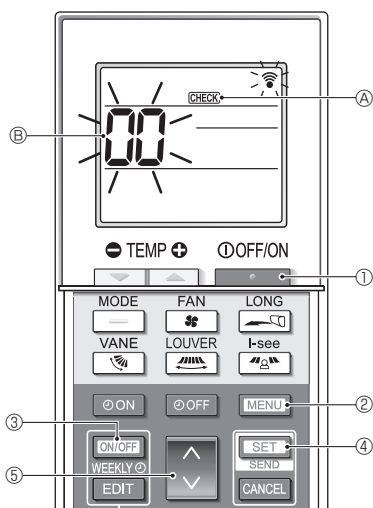


Fig. 7-5



#### ■ Prueba de funcionamiento (Fig. 7-5)

- Pulse el botón **1** para detener el acondicionador de aire.
  - Si el temporizador semanal está activado (se muestra **WEEKLY**), pulse el botón **3** para desactivarlo (no se muestra **WEEKLY**).
- Pulse el botón **2** durante 5 segundos.
  - Se muestra **CHECK** y la unidad entra en el modo de servicio.
- Pulse el botón **2**.
  - Se muestra **TEST** y la unidad entra en el modo de prueba de funcionamiento.
- Pulse los siguientes botones para iniciar la prueba de funcionamiento.
  - 1**: Cambie el modo de funcionamiento entre refrigeración y calefacción e inicie la prueba de funcionamiento.
  - 4**: Cambie la velocidad del ventilador e inicie la prueba de funcionamiento.
  - 5**: Cambie la dirección del flujo de aire e inicie la prueba de funcionamiento.
  - 6**: Cambie la rejilla e inicie la prueba de funcionamiento.
  - 7**: Inicie la prueba de funcionamiento.
- Detenga la prueba de funcionamiento.
  - Pulse el botón **1** para detener la prueba de funcionamiento.
  - Al cabo de 2 horas, se transmite la señal de parada.

#### ■ Autocomprobación (Fig. 7-6)

- Pulse el botón **1** para detener el acondicionador de aire.
  - Si el temporizador semanal está activado (se muestra **WEEKLY**), pulse el botón **3** para desactivarlo (no se muestra **WEEKLY**).
- Pulse el botón **2** durante 5 segundos.
  - Se muestra **CHECK** y la unidad entra en el modo de autocomprobación.
- Pulse el botón **5** para seleccionar la dirección del refrigerante (dirección M-NET) **6** de la unidad interior para la que desea realizar la autocomprobación.
- Pulse el botón **4**.
  - Si se detecta un error, el código de verificación se indica mediante el número de pitidos de la unidad interior y el número de parpadeos de la luz de INDICACIÓN DE FUNCIONAMIENTO.
- Pulse el botón **1**.
  - CHECK** **6** y la dirección del refrigerante (dirección M-NET) **6** se apagan y se completa la autocomprobación.

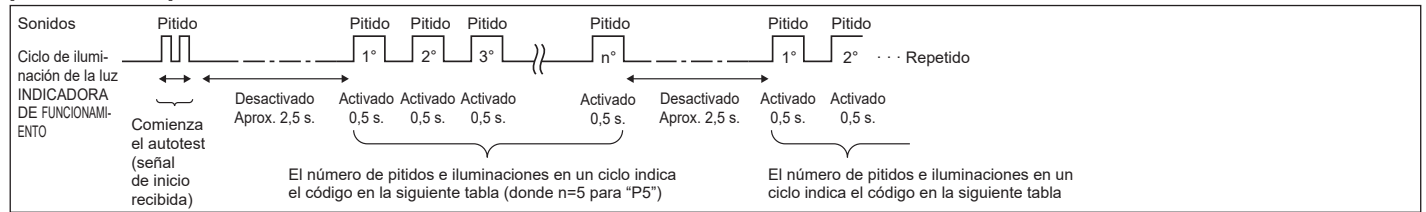
## 7. Prueba de funcionamiento

### 7.3. Autotest

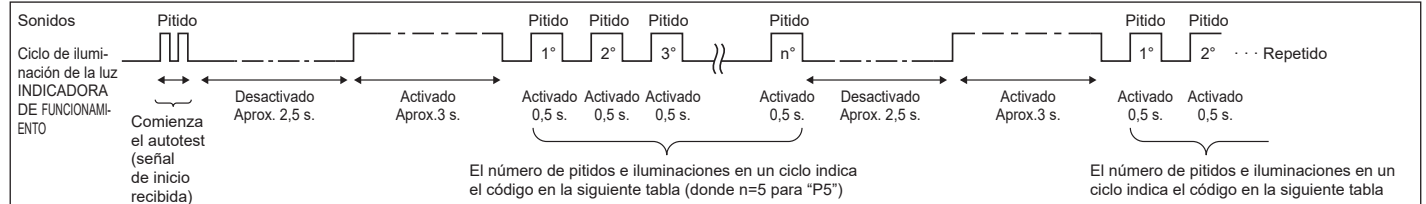
■ Consulte el manual de instalación suministrado con cada controlador remoto para obtener más información.

• Para más información sobre los códigos de comprobación, consulte las siguientes tablas. (Controlador remoto inalámbrico)

[Ciclo de emisión A]



[Ciclo de emisión B]



[Ciclo de emisión A] Errores detectados por la unidad interior

Controlador remoto inalámbrico	Termostato de radiofrecuencia del controlador remoto cableado	Síntoma	Observaciones
Pitido/se ilumina la luz INDICADORA DE FUNCIONAMIENTO (número de veces)	Código de comprobación		
1	P1	Error del sensor de admisión	
2	P2	Error del sensor del tubo (TH2)	
	P9	Error del sensor del tubo (TH5)	
3	E6, E7	Error de comunicación con unidad interior/exterior	
4	P4	Error del sensor de drenaje/Conector del interruptor de flotador abierto	
5	P5	Error de la bomba de drenaje	
	PA	Error del compresor forzado	
6	P6	Funcionamiento de seguridad por helada/sobrecalentamiento	
7	EE	Error de comunicación entre unidades interior y exterior	
8	P8	Error de temperatura del tubo	
9	E4	Error de recepción de señal del controlador remoto	
10	—	—	
11	PB (Pb)	Error en el motor del ventilador de la unidad interior	
12	FB (Fb)	Error del sistema de control de la unidad interior (error de memoria, etc.)	
14	PL	Circuito de refrigeración anómalo	
Sin sonido	E0, E3	Error de transmisión del controlador remoto	
Sin sonido	E1, E2	Error del panel de control del controlador remoto	
Sin sonido	— — — —	No corresponde	

[Ciclo de emisión B] Errores detectados por una unidad distinta de la unidad interior (unidad exterior, etc.)

Controlador remoto inalámbrico	Termostato de radiofrecuencia del controlador remoto cableado	Síntoma	Observaciones
Pitido/se ilumina la luz INDICADORA DE FUNCIONAMIENTO (número de veces)	Código de comprobación		
1	E9	Error de comunicación de la unidad interior/exterior (error de transmisión) (unidad exterior)	
2	UP	Interrupción del compresor por sobrecorriente	
3	U3, U4	Apertura/corte de termistores de la unidad exterior	
4	UF	Interrupción por sobrecorriente del compresor (si el compresor está bloqueado)	
5	U2	Temperatura de descarga anormalmente alta/49C función/refrigerante insuficiente	
6	U1, Ud	Presión anormalmente alta (63H función)/Funcionamiento de seguridad por sobrecalentamiento	
7	U5	Temperatura anormal del cuerpo de refrigeración	
8	U8	Parada de seguridad del ventilador de la unidad exterior	
9	U6	Interrupción del compresor por sobrecorriente/Anomalía en el módulo de alimentación	
10	U7	Anomalía de sobrecalentamiento debido a una baja temperatura de descarga	
11	U9, UH	Anomalía (tensión demasiado alta o baja, señal asincrónica anormal al circuito principal)/Error del sensor de corriente	
12	—	—	
13	—	—	
14	Otros	Otros errores (consulte el manual técnico de la unidad exterior).	Para información detallada, compruebe la pantalla de LEDs del cuadro del controlador exterior.

\*1 Si tras los 2 pitidos iniciales que confirman la recepción de la señal de inicio del autotest no hay más pitidos y la luz INDICADORA DE FUNCIONAMIENTO no se enciende, no habrá errores registrados.

\*2 Si suenan 3 pitidos consecutivos "piip, piip, piip (0,4 + 0,4 + 0,4 segundos)" tras los 2 pitidos iniciales que confirman la recepción de la señal de inicio del autotest, la dirección de refrigerante especificada no es correcta.

- Controlador remoto inalámbrico  
Se oye un pitido continuo desde la sección receptora de la unidad interior.  
La luz de funcionamiento parpadea
- Controlador remoto cableado  
Compruebe el código que aparece en la LCD.



## 7. Prueba de funcionamiento

- Si no se puede activar la unidad adecuadamente después de haberse llevado a cabo la ejecución de prueba, consulte la tabla siguiente para suprimir la causa.

Síntoma		Causa
Controlador remoto cableado	LED 1, 2 (tarjeta de circuito impreso en unidad exterior)	
PLEASE WAIT	Durante aproximadamente 3 minutos después del encendido. Se iluminan los LED 1 y 2 y, a continuación, el LED 2 se apaga y sólo queda encendido el LED 1. (Funcionamiento correcto)	• Durante aproximadamente 3 minutos después del encendido, no se puede utilizar el control remoto debido al proceso de calentamiento del equipo. (Funcionamiento correcto)
PLEASE WAIT → Código de error	Aproximadamente 3 minutos después de haber finalizado el encendido. Sólo se ilumina el LED 1. → Los LED 1 y 2 parpadean.	• El conector del dispositivo de protección de la unidad exterior no está conectado. Cableado de fase abierta o invertida del bloque de terminales de alimentación de la unidad exterior (L1, L2, GR).
NO aparecen mensajes en pantalla aunque se active el interruptor de funcionamiento (la luz de funcionamiento no se enciende).	Sólo se ilumina LED 1. → El LED 1 parpadea dos veces y el LED 2 una.	• Cableado incorrecto entre las unidades interior y exterior (polaridad incorrecta de S1, S2, S3). • El cable del controlador remoto es corto

Si se cumple la condición anterior, en el controlador remoto inalámbrico se producen las siguientes situaciones.

- No se acepta ninguna señal procedente del controlador remoto.
- La luz FUNCIONAMIENTO parpadea.
- Se emite un pitido breve.

**Nota:**

**No se puede utilizar durante aproximadamente 30 segundos después de cancelar la selección de funciones. (Funcionamiento correcto)**

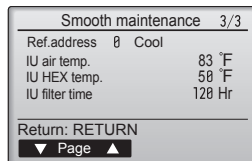
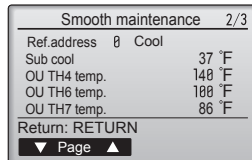
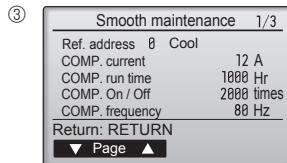
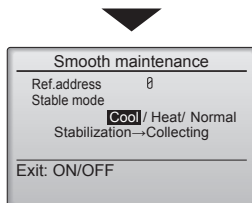
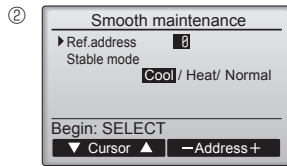
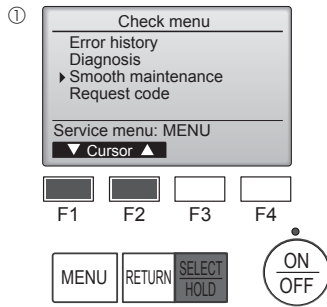
Para la descripción de cada uno de los LED (LED 1, 2, 3) de los controladores interiores, consulte la página 15.

## 8. Función de mantenimiento fácil

Los datos de mantenimiento, como la temperatura del intercambiador de calor de la unidad interior/exterior y la corriente de funcionamiento del compresor, pueden visualizarse mediante el "Smooth maintenance" (mantenimiento suave).

\* No puede ejecutarse durante la prueba de funcionamiento.

\* Según la combinación con la unidad exterior, esta función puede no ser compatible con algunos modelos.



- Seleccione "Service" (Revisión) desde el Main menu (Menú principal), y pulse el botón [SELECT/HOLD].
- Seleccione "Check" (Comprobación) con el botón [F1] o [F2], y pulse el botón [SELECT/HOLD].
- Seleccione "Smooth maintenance" (mantenimiento suave) con el botón [F1] o [F2], y pulse el botón [SELECT/HOLD].

### Seleccione cada uno de los elementos

- Seleccione el elemento que desea cambiar con el botón [F1] o [F2].
- Seleccione el ajuste correspondiente con el botón [F3] o [F4].

Ajuste "Ref. address" (Codificación) ..... "0" - "15"  
 Ajuste "Stable mode" (Modo estable) ..... "Cool" (Frio) / "Heat" (Calor) / "Normal"

- Pulse el botón [SELECT/HOLD], con lo que se iniciará el funcionamiento fijo.
- \* Stable mode (Modo estable) se prolongará durante unos 20 minutos.

Aparecerán los datos de funcionamiento.

El tiempo de funcionamiento acumulado del compresor ("COMP. run" (Func. COMP.)) se expresa en unidades de 10 horas, y el número de veces que se ha puesto en funcionamiento el compresor ("COMP. On/Off" (COMP. encendido/apagado)) se expresa en unidades de 100 veces (se omiten las fracciones)

### Navegación por las pantallas

- Para volver al Menú principal..... Botón [MENU]
- Para volver a la pantalla anterior ..... Botón [RETURN]

---

This product is designed and intended for use in the residential,  
commercial and light-industrial environment.

Please be sure to put the contact address/telephone number on  
this manual before handing it to the customer.

**mitsubishi** **ELECTRIC CORPORATION**

HEAD OFFICE: TOKYO BUILDING, 2-7-3, MARUNOUCHI, CHIYODA-KU, TOKYO 100-8310, JAPAN