

## How to Install & How To Use

### Optional Parts for a Package Air Conditioner Windscreen Installation Instructions



#### **ALWAYS KEEP SAFETY IN MIND**

- Read this section carefully [always keep safety in mind] and securely install the optional parts.
- Make sure to follow the precautions outlined below: They contain critical safety content.
- The classifications for danger and possible consequences of incorrect handling are shown in the following indications.

 **WARNING: IMPROPER HANDLING MAY CAUSE DEATH OR SERIOUS INJURY.**

 **CAUTION: INJURY OR DAMAGE TO HOUSE AND HOUSEHOLD ARTICLES MAY RESULT FROM IMPROPER HANDLING.**

**NOTE:** After installation, run a test run to ensure that there are no anomalies, and ask your customer to always keep this installation sheet with the instruction manual. In addition, if the end user changes, request that these manuals be transferred to the new user.

<b>WARNING</b>  	<b>INQUIRE WITH THE DEALER OR SPECIALIST ABOUT INSTALLATION</b> <ul style="list-style-type: none"> <li>▪ Water leaks, electric shocks, fires, and other hazards may occur if the user installs the product incorrectly.</li> </ul>
	<b>CAREFULLY INSTALL THE PANEL IN ACCORDANCE WITH THIS INSTALLATION SHEET</b> <ul style="list-style-type: none"> <li>▪ Incorrect installation could result in a water leak, electric shock, or fire, among other things.</li> </ul>
<b>*** Prior to installation (moving) and electrical work ***</b>	
<b>CAUTION</b>  	<b>POLYETHYLENE BAGS SHOULD NOT BE LEFT IN THE REACH OF CHILDREN</b> <ul style="list-style-type: none"> <li>▪ Putting a polyethylene bag over one's head will close off your breathing pathways, potentially resulting in suffocation.</li> </ul>
	<b>TO AVOID CONDENSATION, SECURELY APPLY HEAT INSULATION TO THE REFRIGERANT PIPE</b> <ul style="list-style-type: none"> <li>▪ Condensation on the surface of pipes, as well as dewdrops on the ceiling, floor, or valuables, might develop if heat insulation is insufficient.</li> </ul>
	<b>USE ONLY SPECIFIED ELECTRIC WIRES WITH CURRENT CAPACITY IF ELECTRICAL WORK IS REQUIRED.</b> <ul style="list-style-type: none"> <li>▪ Unsuitable wire may cause an electric leak, overheating, or fire.</li> </ul>
	<b>SECURELY COMPLETE DRAIN PIPING WORK IN ACCORDANCE WITH THE INSTALLATION MANUAL TO AVOID CONDENSATION.</b> <ul style="list-style-type: none"> <li>▪ If the piping work is incorrect, a water leak may occur, causing the ceiling, furniture, and other items to become wet.</li> </ul>





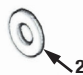


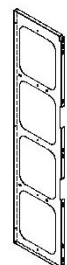


When the outdoor unit fan enters low speed rotation mode with the fan controller turned on, this Windscreen prevents reverse rotation. It is also used to protect the fan when strong winds, such as a typhoon or wind blowing through tall buildings, strike the air outlet directly. Furthermore, installation of this product is required when cooling operations are to be carried out in outside-air temperatures of -5°C or lower (down to -15°C).

#### **When installing this product, pay special attention to the following:**

- 1) Install this unit with the back surface facing the wall side to eliminate the effects of external winds.
- 2) This unit should not be installed in such a way that the wind blows directly at the back of the unit.
- 3) The installation of this product will reduce the unit's capacity by approximately 2% - 3% and increase the outdoor unit's noise level by approximately 1dB - 2dB.
- 4) Use this product only if there is no obstruction on either side or above the outdoor unit (discharge air will be blocked). This could result in a short cycle.

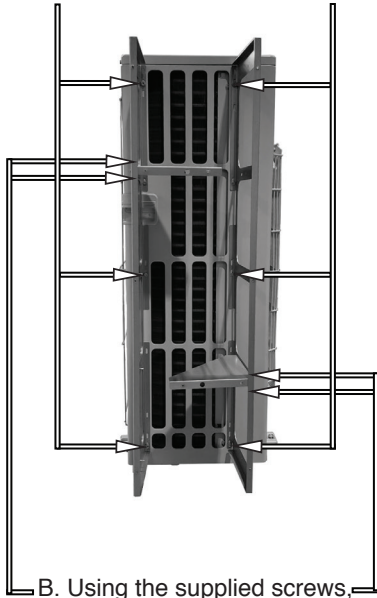
#### **Parts Check:**

**Note: Check that the following items, along with this manual, are in this box:**

Installation Hardware	1 x Front	2 x L & R Side	2 x Gusset	1 x Windblocker
<div style="display: flex; flex-wrap: wrap;"> <div style="width: 50%;">  <p><b>SPECIAL SCREW</b> 6 PCS</p> </div> <div style="width: 50%;">  <p>14 PCS</p> </div> <div style="width: 50%;">  <p>2 PCS</p> </div> <div style="width: 50%;">  <p>2 PCS</p> </div> <div style="width: 50%;">  <p>2 PCS</p> </div> <div style="width: 50%;">  <p>2 PCS</p> </div> </div> <p> <b>6 x #10-24 x 1/2" TRUSS HEAD TYPE 'F' SCREWS (STAINLESS)</b>  <b>14 x #8 X 1/2" HWH SELF TAPPING SCREWS (ZINC)</b>  <b>2 x Lanyard 16" (STAINLESS STEEL)</b>  <b>2 x #10-24 X 1/2" PAN COMB MACHINE SCREWS (ZINC)</b>  <b>2 x #10-24 HEX NUTS (ZINC)</b>  <b>2 x #10 WASHERS (ZINC)</b> </p>				

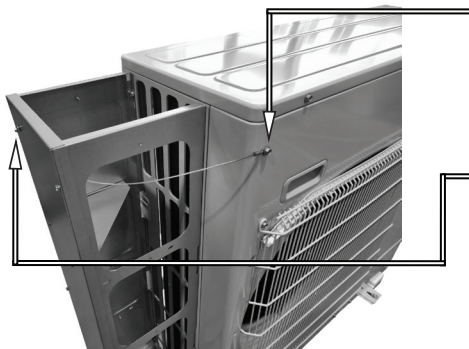
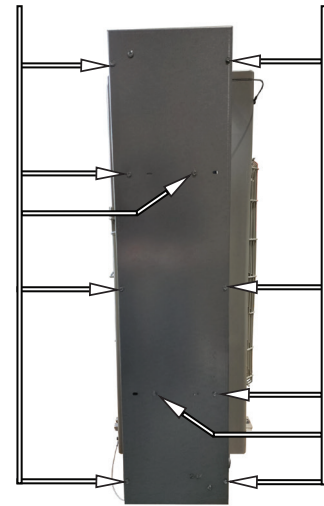
## PSD-24-30 (SIDE WINDSCREEN) INSTALLATION PROCEDURE

A. Install the L & R Side panels as shown using the included (6) Truss Head Type 'F' Screws.



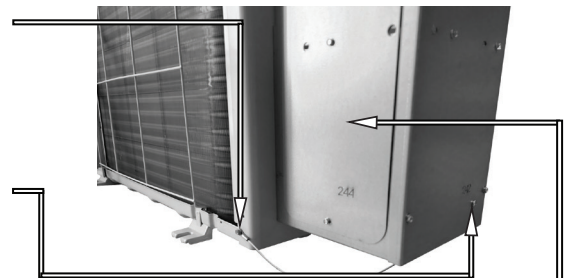
B. Using the supplied screws, install the (2) Gussets.

C. Install the Front panel using the provided screws onto the L & R Side panels and Gussets as shown.



D.1. Install provided Lanyards to cabinet chassis with the existing screws as shown.

D.2. Tighten the 2 screws already installed on the Front panel.



E. Secure Windblockers to the side of the Windscreen where there is direct exposure to wind if necessary. To secure the screen, use the predrilled holes and screws provided.

**NOTE:** Windblockers are used to protect the heat exchanger from direct wind exposure. Windscreens are required for operations where the ambient temperature is less than  $-5^{\circ}$  Celsius.