

Air-Conditioners

PUZ-HA24NHA1

PUZ-HA30-36NKA

PUZ-HA42NKA1

For use with R410A

INSTALLATION MANUAL

For safe and correct use, read this manual and the indoor unit installation manual thoroughly before installing the air-conditioner unit.

FOR INSTALLER

MANUEL D'INSTALLATION

Avant d'installer le climatiseur, lire attentivement ce manuel, ainsi que le manuel d'installation de l'appareil intérieur pour une utilisation sûre et correcte.

POUR L'INSTALLATEUR

MANUAL DE INSTALACIÓN

Para un uso correcto y seguro, lea detalladamente este manual y el manual de instalación de la unidad interior antes de instalar la unidad de aire acondicionado.

PARA EL INSTALADOR

English

Français

Español

Contents

1. Safety precautions	1	6. Electrical work	8
2. Installation location	2	7. Test run	10
3. Installing the outdoor unit	5	8. Special Functions	10
4. Installing the refrigerant piping	6	9. System control (Fig. 9-1)	11
5. Drainage piping work	8		

1. Safety precautions

- ▶ Before installing the unit, make sure you read all the “Safety precautions”.
- ▶ Please report to or take consent by the supply authority before connection to the system.

⚠ Warning:

Describes precautions that must be observed to prevent danger of injury or death to the user.

⚠ Caution:

Describes precautions that must be observed to prevent damage to the unit.

⚠ Warning:

- The unit must not be installed by the user. Ask a dealer or an authorized technician to install the unit. If the unit is installed incorrectly, water leakage, electric shock, or fire may result.
- For installation work, follow the instructions in the Installation Manual and use tools and pipe components specifically made for use with R410A refrigerant. The R410A refrigerant in the HFC system is pressurized 1.6 times the pressure of usual refrigerants. If pipe components not designed for R410A refrigerant are used and the unit is not installed correctly, the pipes may burst and cause damage or injuries. In addition, water leakage, electric shock, or fire may result.
- When installing the unit, use appropriate protective equipment and tools for safety. Failure to do so could cause injuries.
- The unit must be installed according to the instructions in order to minimize the risk of damage from earthquakes, typhoons, or strong winds. An incorrectly installed unit may fall down and cause damage or injuries.
- The unit must be securely installed on a structure that can sustain its weight. If the unit is mounted on an unstable structure, it may fall down and cause damage or injuries.
- If the air conditioner is installed in a small room, measures must be taken to prevent the refrigerant concentration in the room from exceeding the safety limit in the event of refrigerant leakage. Consult a dealer regarding the appropriate measures to prevent the allowable concentration from being exceeded. Should the refrigerant leak and cause the concentration limit to be exceeded, hazards due to lack of oxygen in the room may result.
- Ventilate the room if refrigerant leaks during operation. If refrigerant comes into contact with a flame, poisonous gases will be released.
- All electric work must be performed by a qualified technician according to local regulations and the instructions given in this manual. The units must be powered by dedicated power lines and the correct voltage and circuit breakers must be used. Power lines with insufficient capacity or incorrect electrical work may result in electric shock or fire.
- Use C1220 copper phosphorus, for copper and copper alloy seamless pipes, to connect the refrigerant pipes. If the pipes are not connected correctly, the unit will not be properly grounded and electric shock may result.

After installation work has been completed, explain the “Safety Precautions,” use, and maintenance of the unit to the customer according to the information in the Operation Manual and perform the test run to ensure normal operation. Both the Installation Manual and Operation Manual must be given to the user for keeping. These manuals must be passed on to subsequent users.

⚡ : Indicates a part which must be grounded.

⚠ Warning:

Carefully read the labels affixed to the main unit.

- Use only specified cables for wiring. The wiring connections must be made securely with no tension applied on the terminal connections. Also, never splice the cables for wiring (unless otherwise indicated in this document). Failure to observe these instructions may result in overheating or a fire.
- The terminal block cover panel of the outdoor unit must be firmly attached. If the cover panel is mounted incorrectly and dust and moisture enter the unit, electric shock or fire may result.
- When installing or relocating, or servicing the air conditioner, use only the specified refrigerant (R410A) to charge the refrigerant lines. Do not mix it with any other refrigerant and do not allow air to remain in the lines. If air is mixed with the refrigerant, then it can be the cause of abnormal high pressure in the refrigerant line, and may result in an explosion and other hazards. The use of any refrigerant other than that specified for the system will cause mechanical failure or system malfunction or unit breakdown. In the worst case, this could lead to a serious impediment to securing product safety.
- Use only accessories authorized by Mitsubishi Electric and ask a dealer or an authorized technician to install them. If accessories are incorrectly installed, water leakage, electric shock, or fire may result.
- Do not alter the unit. Consult a dealer for repairs. If alterations or repairs are not performed correctly, water leakage, electric shock, or fire may result.
- The user should never attempt to repair the unit or transfer it to another location. If the unit is installed incorrectly, water leakage, electric shock, or fire may result. If the air conditioner must be repaired or moved, ask a dealer or an authorized technician.
- After installation has been completed, check for refrigerant leaks. If refrigerant leaks into the room and comes into contact with the flame of a heater or portable cooking range, poisonous gases will be released.
- When opening or closing the valve below freezing temperatures, refrigerant may spurt out from the gap between the valve stem and the valve body, resulting in injuries.

1.1. Before installation

⚠ Caution:

- Do not use the unit in an unusual environment. If the air conditioner is installed in areas exposed to steam, volatile oil (including machine oil), or sulfuric gas, areas exposed to high salt content such as the seaside, or areas where the unit will be covered by snow, the performance can be significantly reduced and the internal parts can be damaged.
- Do not install the unit where combustible gases may leak, be produced, flow, or accumulate. If combustible gas accumulates around the unit, fire or explosion may result.
- The outdoor unit produces condensation during the heating operation. Make sure to provide drainage around the outdoor unit if such condensation is likely to cause damage.

- When installing the unit in a hospital or communications office, be prepared for noise and electronic interference. Inverters, home appliances, high-frequency medical equipment, and radio communications equipment can cause the air conditioner to malfunction or breakdown. The air conditioner may also affect medical equipment, disturbing medical care, and communications equipment, harming the screen display quality.

1.2. Before installation (relocation)

⚠ Caution:

- Be extremely careful when transporting the units. 2 or more persons are needed to handle the unit, as it weighs 20 kg, 44 lbs or more. Do not grasp the packaging bands. Wear protective gloves to remove the unit from the packaging and to move it, as you can injure your hands on the fins or the edge of other parts.
- Be sure to safely dispose of the packaging materials. Packaging materials, such as nails and other metal or wooden parts may cause stabs or other injuries.

- The base and attachments of the outdoor unit must be periodically checked for looseness, cracks or other damage. If such defects are left uncorrected, the unit may fall down and cause damage or injuries.
- Do not clean the air conditioner unit with water. Electric shock may result.
- Tighten all flare nuts to specification using a torque wrench. If tightened too much, the flare nut can break after an extended period and refrigerant can leak out.

1. Safety precautions

1.3. Before electric work

⚠ Caution:

- Be sure to install circuit breakers. If not installed, electric shock may result.
- Please follow applicable federal, state, or local codes to prevent potential leakage/electric shock. Or install a ground fault interrupt for the prevention of leakage and electric shock.
- For the power lines, use standard cables of sufficient capacity. Otherwise, a short circuit, overheating, or fire may result.
- When installing the power lines, do not apply tension to the cables. If the connections are loosened, the cables can snap or break and overheating or fire may result.

- Be sure to ground the unit. Do not connect the ground wire to gas or water pipes, lighting rods, or telephone grounding lines. If the unit is not properly grounded, electric shock may result.
- Use circuit breakers (ground fault interrupter, isolating switch (+B fuse), and molded case circuit breaker) with the specified capacity. If the circuit breaker capacity is larger than the specified capacity, breakdown or fire may result.

1.4. Before starting the test run

⚠ Caution:

- Turn on the main power switch more than 12 hours before starting operation. Starting operation just after turning on the power switch can severely damage the internal parts. Keep the main power switch turned on during the operation season.
- Before starting operation, check that all panels, guards and other protective parts are correctly installed. Rotating, hot, or high voltage parts can cause injuries.
- Do not touch any switch with wet hands. Electric shock may result.

- Do not touch the refrigerant pipes with bare hands during operation. The refrigerant pipes are hot or cold depending on the condition of the flowing refrigerant. If you touch the pipes, burns or frostbite may result.
- After stopping operation, be sure to wait at least five minutes before turning off the main power switch. Otherwise, water leakage or breakdown may result.

1.5. Using R410A refrigerant air conditioners

⚠ Caution:

- Use C1220 copper phosphorus, for copper and copper alloy seamless pipes, to connect the refrigerant pipes. Make sure the insides of the pipes are clean and do not contain any harmful contaminants such as sulfuric compounds, oxidants, debris, or dust. Use pipes with the specified thickness. (Refer to 4.1.) Note the following if reusing existing pipes that carried R22 refrigerant.
- Replace the existing flare nuts and flare the flared sections again.
- Do not use thin pipes. (Refer to 4.1.)
- Store the pipes to be used during installation indoors and keep both ends of the pipes sealed until just before brazing. (Leave elbow joints, etc. in their packaging.) If dust, debris, or moisture enters the refrigerant lines, oil deterioration or compressor breakdown may result.
- Use ester oil, ether oil, alkylbenzene oil (small amount) as the refrigeration oil applied to the flared sections. If mineral oil is mixed in the refrigeration oil, oil deterioration may result.

- Do not use refrigerant other than R410A refrigerant. If another refrigerant is used, the chlorine will cause the oil to deteriorate.
- Use the following tools specifically designed for use with R410A refrigerant. The following tools are necessary to use R410A refrigerant. Contact your nearest dealer for any questions.

Tools (for R410A)	
Gauge manifold	Flare tool
Charge hose	Size adjustment gauge
Gas leak detector	Vacuum pump adapter
Torque wrench	Electronic refrigerant charging scale

- Be sure to use the correct tools. If dust, debris, or moisture enters the refrigerant lines, refrigeration oil deterioration may result.
- Do not use a charging cylinder. If a charging cylinder is used, the composition of the refrigerant will change and the efficiency will be lowered.

2. Installation location

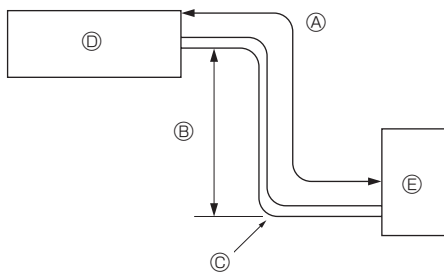


Fig. 2-1

2.1. Refrigerant pipe (Fig. 2-1)

- ▶ Check that the difference between the heights of the indoor and outdoor units, the length of refrigerant pipe, and the number of bends in the pipe are within the limits shown below.

	Ⓐ Pipe length (one way)	Ⓑ Height difference	Ⓒ Number of bends (one way)
HA24	Max. 50 m, 165 ft *1	Max. 30 m, 100 ft	Max. 15
HA30, HA36, HA42	Max. 75 m, 245 ft *1	Max. 30 m, 100 ft	Max. 15

*1. If outdoor unit is connected to the A-COIL indoor unit (PAA-A24, 30, 36), pipe length is "Max. 30 m, 100 ft".

- Height difference limitations are binding regardless of which unit, indoor or outdoor, is positioned higher.
 - Ⓓ Indoor unit
 - Ⓔ Outdoor unit

2.2. Choosing the outdoor unit installation location

- Avoid locations exposed to direct sunlight or other sources of heat.
- Select a location from which noise emitted by the unit will not inconvenience neighbors.
- Select a location permitting easy wiring and pipe access to the power source and indoor unit.
- Avoid locations where combustible gases may leak, be produced, flow, or accumulate.
- Note that water may drain from the unit during operation.
- Select a level location that can bear the weight and vibration of the unit.
- Avoid locations where the unit can be covered by snow. In areas where heavy snow fall is anticipated, special precautions such as raising the installation location or installing a hood on the air intake must be taken to prevent the snow from blocking the air intake or blowing directly against it. This can reduce the airflow and a malfunction may result.
- Avoid locations exposed to oil, steam, or sulfuric gas.
- Use the transportation handles of the outdoor unit to transport the unit. If the unit is carried from the bottom, hands or fingers may be pinched.

■ HA24

■ HA30, HA36, HA42

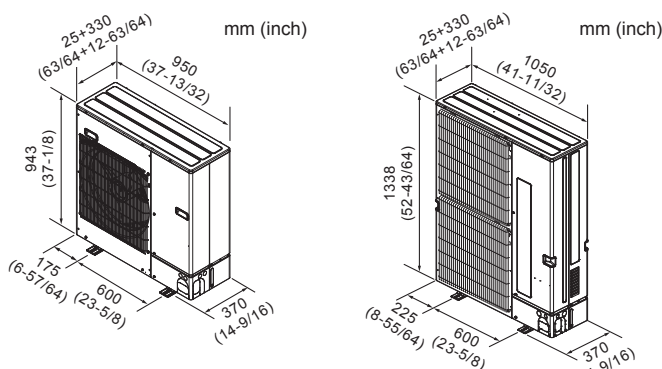


Fig. 2-2

2.3. Outline dimensions (Outdoor unit) (Fig. 2-2)

2. Installation location

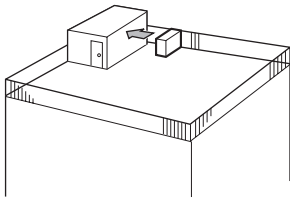


Fig. 2-3

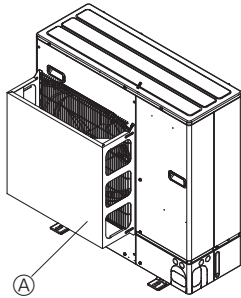


Fig. 2-4

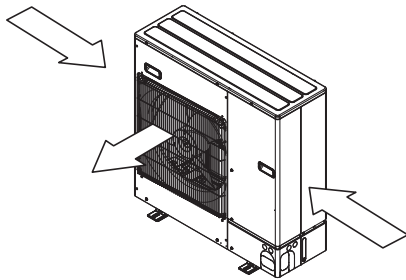


Fig. 2-5

2.4. Ventilation and service space

2.4.1. Windy location installation

When installing the outdoor unit on a rooftop or other location unprotected from the wind, situate the air outlet of the unit so that it is not directly exposed to strong winds. Strong wind entering the air outlet may impede the normal airflow and a malfunction may result.

The following shows three examples of precautions against strong winds.

- ① Face the air outlet towards the nearest available wall about 500 mm, 19-11/16 inch away from the wall. (Fig. 2-3)
- ② Install an optional air protect guide if the unit is installed in a location where strong winds from a typhoon, etc. may directly enter the air outlet. (Fig. 2-4)
 - Ⓐ Air protect guide
- ③ Position the unit so that the air outlet blows perpendicularly to the seasonal wind direction, if possible. (Fig. 2-5)
 - Ⓔ Wind direction

2. Installation location

2.4.2. When installing a single outdoor unit

Minimum dimensions are as follows, except for Max., meaning Maximum dimensions, indicated.

The figures in parentheses are for HA30, 36, 42 models.

Refer to the figures for each case.

- ① Obstacles at rear only (Fig. 2-6)
- ② Obstacles at rear and above only (Fig. 2-7)
- ③ Obstacles at rear and sides only (Fig. 2-8)
- ④ Obstacles at front only (Fig. 2-9)
- ⑤ Obstacles at front and rear only (Fig. 2-10)
 - * When using an optional air outlet guide, the clearance for HA30, 36, 42 models is 500 mm, 19-11/16 inch or more.
- ⑥ Obstacles at rear, sides, and above only (Fig. 2-11)
 - * When using an optional air outlet guide installed for upward airflow, the clearance is 500 mm, 19-11/16 (39-3/8) inch or more.
- ⑦ Obstacles at rear, sides, and above only (Fig. 2-12)
 - * Do not install the optional air outlet guides for upward airflow.

2.4.3. When installing multiple outdoor units

Leave 25 mm, 1 inch space or more between the units.

- ① Obstacles at rear only (Fig. 2-12)
- ② Obstacles at rear and above only (Fig. 2-13)
 - * No more than three units must be installed side by side. In addition, leave space as shown.
 - * Do not install the optional air outlet guides for upward airflow.
- ③ Obstacles at front only (Fig. 2-14)
 - * When using an optional air outlet guide, the clearance for HA30, 36, 42 models is 1000 mm, 39-3/8 inch or more.
- ④ Obstacles at front and rear only (Fig. 2-15)
 - * When using an optional air outlet guide, the clearance for HA30, 36, 42 models is 1000 mm, 39-3/8 inch or more.
- ⑤ Single parallel unit arrangement (Fig. 2-16)
 - * When using an optional air outlet guide installed for upward airflow, the clearance is 500 mm, 19-11/16 (39-3/8) inch or more.
- ⑥ Multiple parallel unit arrangement (Fig. 2-17)
 - * When using an optional air outlet guide installed for upward airflow, the clearance is 1000 mm (1500) mm, 39-3/8 (59-1/16) inch or more.
- ⑦ Stacked unit arrangement (Fig. 2-18)
 - * The units can be stacked up to two units high.
 - * No more than two stacked units must be installed side by side. In addition, leave space as shown.

mm [inch]

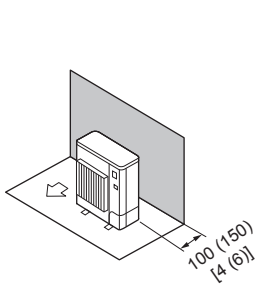


Fig. 2-6

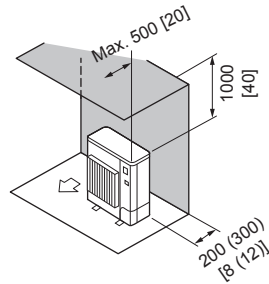


Fig. 2-7

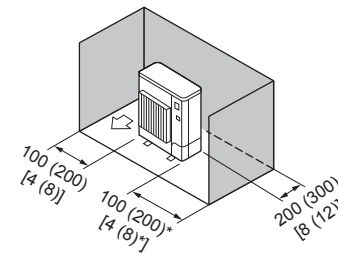


Fig. 2-8

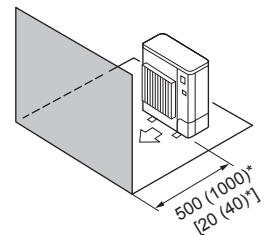


Fig. 2-9

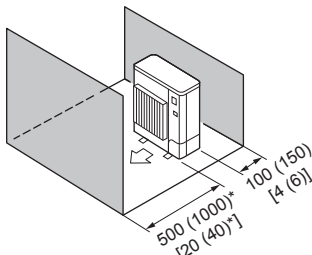


Fig. 2-10

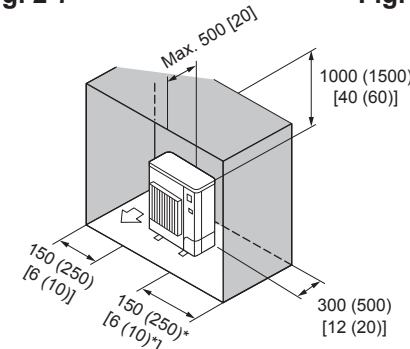


Fig. 2-11

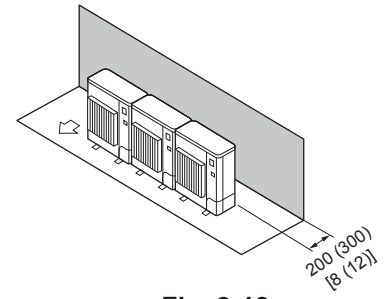


Fig. 2-12

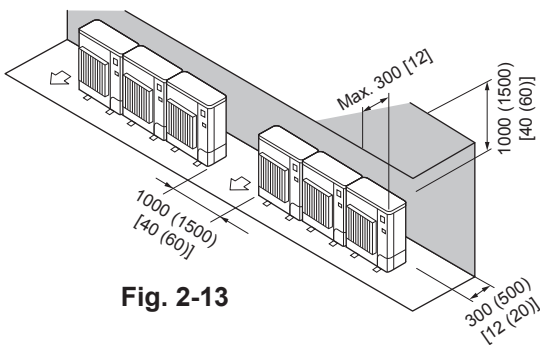


Fig. 2-13

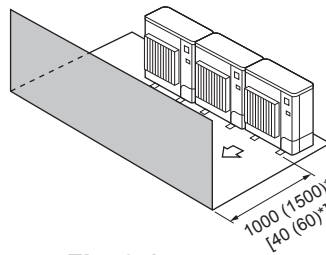


Fig. 2-14

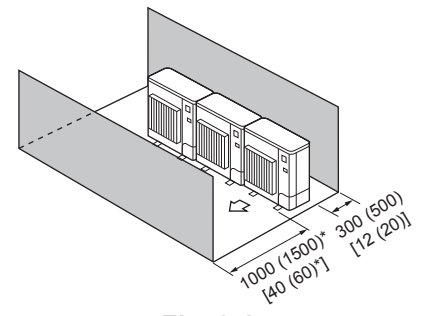


Fig. 2-15

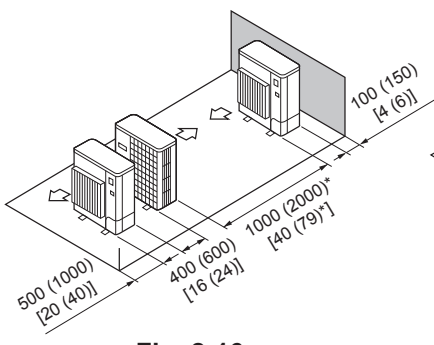


Fig. 2-16

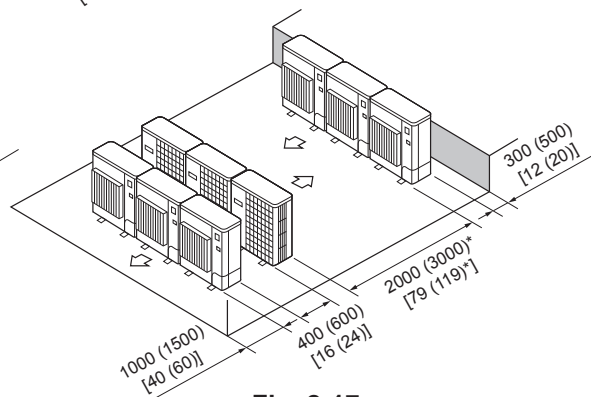


Fig. 2-17

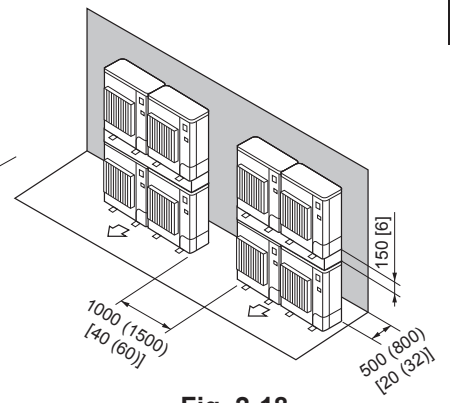
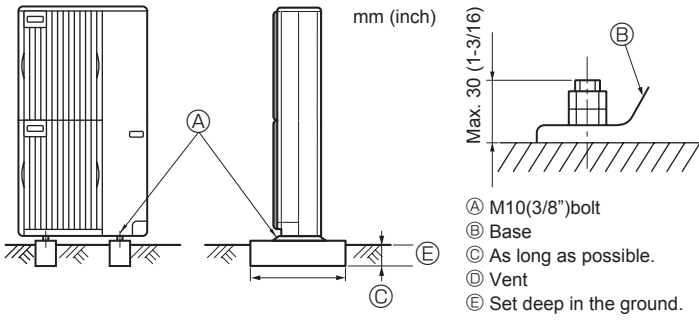


Fig. 2-18

3. Installing the outdoor unit



- Be sure to install the unit in a sturdy, level surface to prevent rattling noises during operation. (Fig. 3-1)

<Foundation specifications>

Foundation bolt	M10 (3/8")
Thickness of concrete	120 mm, 4-23/32 inch
Length of bolt	70 mm, 2-3/4 inch
Weight-bearing capacity	320 kg, 264 lbs

- Make sure that the length of the foundation bolt is within 30 mm, 1-3/16 inch of the bottom surface of the base.

- Secure the base of the unit firmly with four-M10 foundation bolts in sturdy locations.

Installing the outdoor unit

- Do not block the vent. If the vent is blocked, operation will be hindered and breakdown may result.

- In addition to the unit base, use the installation holes on the back of the unit to attach wires, etc., if necessary to install the unit. Use self-tapping screws (ø5 × 15 mm, ø13/16 × 19/32 inch or less) and install on site.

⚠ Warning:

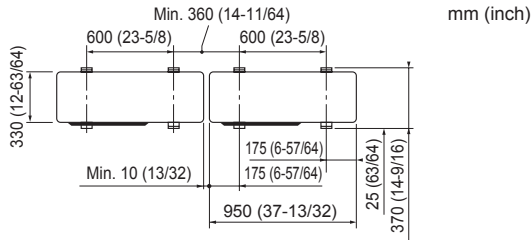
- The unit must be securely installed on a structure that can sustain its weight. If the unit is mounted on an unstable structure, it may fall down and cause damage or injuries.

- The unit must be installed according to the instructions in order to minimize the risk of damage from earthquakes, typhoons, or strong winds. An incorrectly installed unit may fall down and cause damage or injuries.

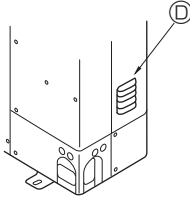
■ HA24



<Pitch of the foundation bolt>



■ HA30, HA36, HA42



<Pitch of the foundation bolt>

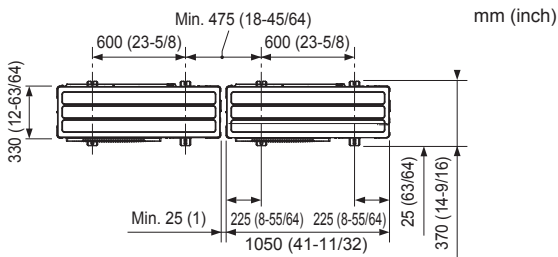


Fig. 3-1

4. Installing the refrigerant piping

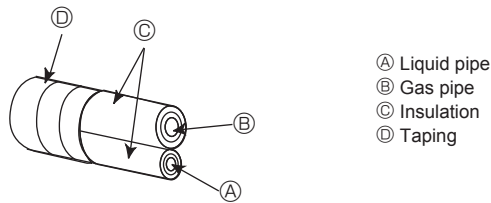


Fig. 4-1

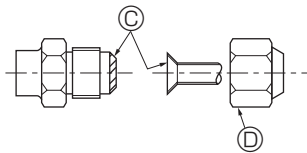
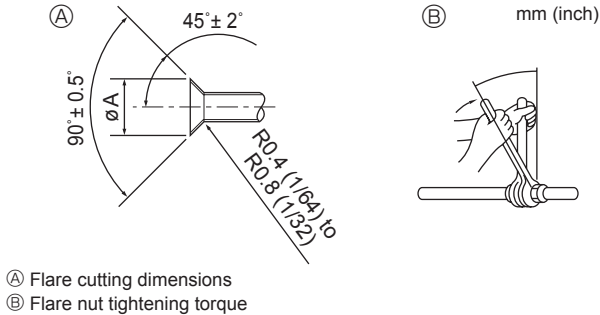


Fig. 4-2

Ⓐ (Fig. 4-1)

Copper pipe O.D.		Flare dimensions øA dimensions	
(mm)	(inch)	(mm)	(inch)
ø6.35	1/4"	8.7 - 9.1	11/32 - 23/64
ø9.52	3/8"	12.8 - 13.2	1/2 - 33/64
ø12.7	1/2"	16.2 - 16.6	41/64 - 21/32
ø15.88	5/8"	19.3 - 19.7	49/64 - 25/32

Ⓑ (Fig. 4-1)

Copper pipe O.D.		Flare nut O.D.		Tightening torque	
(mm)	(inch)	(mm)	(inch)	(N·m)	(ft·lbs)
ø6.35	1/4"	17	43/64	14 - 18	10 - 13
ø9.52	3/8"	22	7/8	34 - 42	25 - 30
ø12.7	1/2"	26	1 - 3/64	49 - 61	35 - 44
ø15.88	5/8"	29	1 - 9/64	68 - 82	49 - 59

4.1. Precautions for devices that use R410A refrigerant

- Refer to 1.5. for precautions not included below on using air conditioners with R410A refrigerant.
- Use ester oil, ether oil, alkylbenzene oil (small amount) as the refrigeration oil applied to the flared sections.
- Use C1220 copper phosphorus, for copper and copper alloy seamless pipes, to connect the refrigerant pipes. Use refrigerant pipes with the thicknesses specified in the table to the below. Make sure the insides of the pipes are clean and do not contain any harmful contaminants such as sulfuric compounds, oxidants, debris, or dust.

⚠ Warning:

When installing or relocating, or servicing the air conditioner, use only the specified refrigerant (R410A) to charge the refrigerant lines. Do not mix it with any other refrigerant and do not allow air to remain in the lines. If air is mixed with the refrigerant, then it can be the cause of abnormal high pressure in the refrigerant line, and may result in an explosion and other hazards.

The use of any refrigerant other than that specified for the system will cause mechanical failure or system malfunction or unit breakdown. In the worst case, this could lead to a serious impediment to securing product safety.

Liquid pipe	ø9.52 mm, 3/8inch thickness 0.8 mm, 1/32 inch
Gas pipe	ø15.88 mm, 5/8 inch thickness 1.0 mm, 3/64 inch

- Do not use pipes thinner than those specified above.

4.2. Connecting pipes (Fig. 4-1, Fig. 4-2)

When commercially available copper pipes are used, insulate both the liquid and gas pipes separately with commercially available insulation materials (heat-resistant to 100°C, 212°F or more, thickness of 12 mm, 1/2 inch or more). (Fig. 4-1)

- The indoor parts of the drain pipe should be wrapped with polyethylene foam insulation materials (specific gravity of 0.03, thickness of 9 mm, 23/64 inch or more).

[Fig. 4-2]

- Apply thin layer of refrigerant oil to pipe and joint seating surface before tightening flare nut. Ⓐ
- Use two wrenches to tighten piping connections. Ⓑ
- Use leak detector or soapy water to check for gas leaks after connections are completed.
- Apply refrigerating machine oil over the entire flare seat surface. Ⓒ
- Use the flare nuts for the following pipe size. Ⓓ

Gas side	Pipe size (mm, inch)	ø15.88, 5/8"
Liquid side	Pipe size (mm, inch)	ø9.52, 3/8"

*: The flare nut is supplied as an outdoor unit accessory.

Be sure to use it otherwise gas leakage or even pipe extraction may occur.

- When bending the pipes, be careful not to break them. Bend radii of 100 mm, 3-15/16 inch to 150 mm, 5-27/32 inch are sufficient.
- Make sure the pipes do not contact the compressor. Abnormal noise or vibration may result.

① Pipes must be connected starting from the indoor unit.

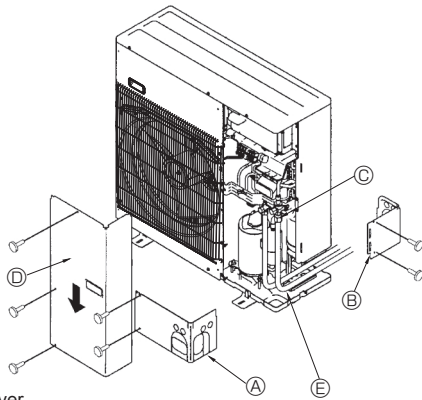
Flare nuts must be tightened with a torque wrench.

② Flare the liquid pipes and gas pipes and apply a thin layer of refrigeration oil (Applied on site).

⚠ Warning:

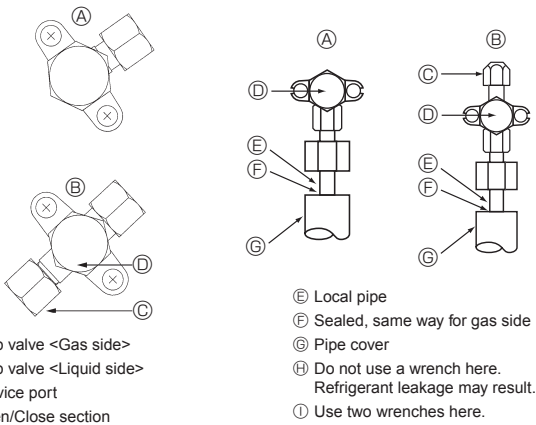
When installing the unit, securely connect the refrigerant pipes before starting the compressor.

4. Installing the refrigerant piping



- Ⓐ Front piping cover
- Ⓑ Piping cover
- Ⓒ Stop valve
- Ⓓ Service panel
- Ⓔ Bend radius : 100 mm, 3-15/16 inch-150 mm, 5-27/32 inch

Fig. 4-3



- Ⓐ Stop valve <Gas side>
- Ⓑ Stop valve <Liquid side>
- Ⓒ Service port
- Ⓓ Open/Close section
- Ⓔ Local pipe
- Ⓕ Sealed, same way for gas side
- Ⓖ Pipe cover
- Ⓗ Do not use a wrench here. Refrigerant leakage may result.
- Ⓖ Use two wrenches here.

Fig. 4-4

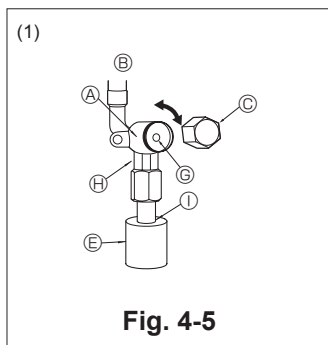


Fig. 4-5

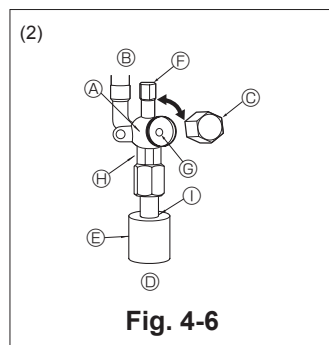
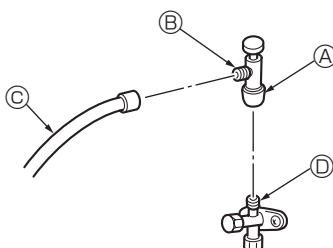


Fig. 4-6

- Ⓐ Valve body
- Ⓑ Unit side
- Ⓒ Cap
- Ⓓ Local pipe side
- Ⓔ Pipe cover
- Ⓕ Service port
- Ⓖ Valve stem
- Ⓗ Double spanner section (Do not apply a spanner other than to this section. Doing so would cause refrigerant leaks.)
- Ⓖ Seal section (Seal the end of the heat insulation material at the pipe connection section with whatever seal material you have on hand so that water does not infiltrate the heat insulation material.)



- * The figure to the left is an example only. The stop valve shape, service port position, etc., may vary according to the model.
- * Turn section Ⓐ only. (Do not further tighten sections Ⓐ and Ⓑ together.)
- Ⓒ Charge hose
- Ⓓ Service port

Fig. 4-7

4.3. Refrigerant piping (Fig. 4-3)

Please carefully consider the indoor unit location when piping lengths are less than values indicated as below as there could be intermittent noises during normal operation that would be noticeable in very quiet environments.

- HA24/30/36: 16 ft. (5 m)
- HA42: 25 ft. (7.5 m)

Remove the service panel Ⓓ (3 screws) and the front piping cover Ⓐ (2 screws) and rear piping cover Ⓑ (2 screws: HA24) (4 screws: HA30, HA36, HA42).

- ① Perform refrigerant piping connections for the indoor/outdoor unit when the outdoor unit's stop valve is completely closed.
- ② Vacuum-purge air from the indoor unit and the connection piping.
- ③ After connecting the refrigerant pipes, check the connected pipes and the indoor unit for gas leaks. (Refer to 4.4 Refrigerant pipe airtight testing method)
- ④ Vacuumize the refrigerant lines through the service port of the liquid stop valve and then open the stop valves completely (for both the liquid and gas stop valves). This will completely connect the refrigerant lines of the indoor and outdoor units.
 - If the stop valves are left closed and the unit is operated, the compressor and control valves will be damaged.
 - Use a leak detector or soapy water to check for gas leaks at the pipe connection sections of the outdoor unit.
 - Do not use the refrigerant from the unit to purge air from the refrigerant lines.
 - After the valve work is completed, tighten the valve caps to the correct torque: 20 to 25 N·m, 14 to 18 ft·lbs (200 to 250 kgf·cm). Failure to replace and tighten the caps may result in refrigerant leakage. In addition, do not damage the insides of the valve caps as they act as a seal to prevent refrigerant leakage.
- ⑤ Use sealant to seal the ends of the thermal insulation around the pipe connection sections to prevent water from entering the thermal insulation.

4.4. Refrigerant pipe airtight testing method (Fig. 4-4)

- (1) Connect the testing tools.
 - Make sure the stop valves Ⓐ Ⓑ are closed and do not open them.
 - Add pressure to the refrigerant lines through the service port Ⓒ of the liquid stop valve Ⓓ.
- (2) Do not add pressure to the specified pressure all at once; add pressure little by little.
 - ① Pressurize to 0.5 MPa (5 kgf/cm²G), wait five minutes, and make sure the pressure does not decrease.
 - ② Pressurize to 1.5 MPa (15 kgf/cm²G), wait five minutes, and make sure the pressure does not decrease.
 - ③ Pressurize to 4.15 MPa (41.5 kgf/cm²G) and measure the surrounding temperature and refrigerant pressure.
- (3) If the specified pressure holds for about one day and does not decrease, the pipes have passed the test and there are no leaks.
 - If the surrounding temperature changes by 1 °C, the pressure will change by about 0.01 MPa (0.1 kgf/cm²G). Make the necessary corrections.
- (4) If the pressure decreases in steps (2) or (3), there is a gas leak. Look for the source of the gas leak.

4.5. Stop valve opening method

- (1) Gas side (Fig. 4-5)
 - ① Remove the cap and turn the valve rod counterclockwise as far as it will go with the use of a 4 mm hexagonal wrench. Stop turning when it hits the stopper. (ø15.88, 5/8 inch: Approximately 11 revolutions)
 - ② Make sure that the stop valve is open completely and rotate the cap back to its original position.
- (2) Liquid side (Fig. 4-6)
 - ① Remove the cap and turn the valve rod counterclockwise as far as it will go with the use of a 4 mm hexagonal wrench. Stop turning when it hits the stopper. (ø6.35, 1/4 inch: Approximately 4.5 revolutions) (ø9.52, 3/8 inch: Approximately 10 revolutions)
 - ② Make sure that the stop valve is open completely and rotate the cap back to its original position.

Refrigerant pipes are protectively wrapped

- The pipes can be protectively wrapped up to a diameter of ø90 mm, 3-35/64 inch before or after connecting the pipes. Cut out the knockout in the pipe cover following the groove and wrap the pipes.

Pipe inlet gap

- Use putty or sealant to seal the pipe inlet around the pipes so that no gaps remain. (If the gaps are not closed, noise may be emitted or water and dust will enter the unit and breakdown may result.)

Precautions when using the charge valve (Fig. 4-7)

Do not tighten the service port too much when installing it, otherwise, the valve core could be deformed and become loose, causing a gas leak.

After positioning section Ⓑ in the desired direction, turn section Ⓐ only and tighten it. Do not further tighten sections Ⓐ and Ⓑ together after tightening section Ⓐ.

⚠ Warning:

When opening or closing the valve below freezing temperatures, refrigerant may spurt out from the gap between the valve stem and the valve body, resulting in injuries.

4. Installing the refrigerant piping

4.6. Addition of refrigerant

- Charge the unit with additional R410A refrigerant according to the permitted pipe lengths in the chart below.
- Additional charging is not necessary if the pipe length does not exceed 30 m 100 ft for HA24-HA36 connected to the A-COIL indoor unit (PAA-A24, 30, 36).
 - * When the unit is stopped, charge the unit with the additional refrigerant through the liquid stop valve after the pipe extensions and indoor unit have been vacuumized.
 - When the unit is operating, add refrigerant to the gas check valve using a safety charger. Do not add liquid refrigerant directly to the check valve.

- * After charging the unit with refrigerant, note the added refrigerant amount on the service label (attached to the unit).
Refer to the "1.5. Using R410A refrigerant air conditioners" for more information.
- Be careful when installing multiple units. Connecting to an incorrect indoor unit can lead to abnormally high pressure and have a serious effect on operation performance.

Model	Max pipe length	Max height difference	Additional refrigerant charging amount *2																							
			21 m	24 m	27 m	30 m	34 m	37 m	40 m	43 m	46 m	49 m	50 m	52 m	55 m	58 m	61 m	64 m	67 m	70 m	73 m	75 m				
			70 ft	80 ft	90 ft	100 ft	110 ft	120 ft	130 ft	140 ft	150 ft	160 ft	165 ft	170 ft	180 ft	190 ft	200 ft	210 ft	220 ft	230 ft	240 ft	245 ft				
HA24	50 m, 165 ft *1	30 m, 100 ft	0	0.2 kg 7 oz	0.4 kg 14 oz	0.6 kg 21 oz	0.8 kg 28 oz	1.0 kg 35 oz	1.2 kg 42 oz	1.4 kg 49 oz	1.6 kg 56 oz	1.8 kg 63 oz	1.9 kg 67 oz	-	-	-	-	-	-	-	-	-	-			
HA30, 36	75 m, 245 ft *1	30 m, 100 ft	0	0	0	0	0.2 kg 7 oz	0.4 kg 14 oz	0.5 kg 18 oz	0.7 kg 25 oz	0.9 kg 32 oz	1.0 kg 35 oz	1.1 kg 39 oz	1.2 kg 42 oz	1.4 kg 49 oz	1.4 kg 49 oz	1.4 kg 49 oz	1.4 kg 49 oz	1.4 kg 49 oz	1.4 kg 49 oz	1.4 kg 49 oz	1.4 kg 49 oz	1.4 kg 49 oz			
HA42	75 m, 245 ft	30 m, 100 ft	0	0	0	0	0.2 kg 7 oz	0.4 kg 14 oz	0.5 kg 18 oz	0.7 kg 25 oz	0.9 kg 32 oz	1.0 kg 35 oz	1.1 kg 39 oz	1.2 kg 42 oz	1.4 kg 49 oz	1.5 kg 53 oz	1.7 kg 60 oz	1.9 kg 67 oz	2.0 kg 71 oz	2.2 kg 78 oz	2.3 kg 81 oz	2.4 kg 85 oz				

*1. If outdoor unit is connected to the A-COIL indoor unit (PAA-A24, 30, 36), pipe length is "Max. 30 m, 100 ft".

*2. This additional refrigerant chart is used only when connected to an indoor unit other than A-COIL indoor unit (PAA-A24, 30, 36). Additional charging is not necessary if the pipe length does not exceed 30 m 100 ft for HA24-HA36 connected to the A-COIL indoor unit (PAA-A24, 30, 36).

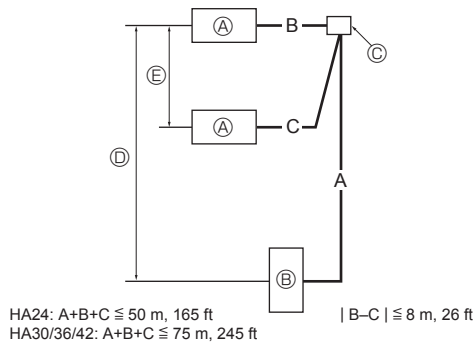


Fig. 4-8

4.7. For twin combination

Refrigerant piping limitation of length, height difference are shown in the figure. (Fig. 4-8)

- Ⓐ Indoor unit
- Ⓑ Outdoor unit
- Ⓒ Multi distribution pipe (option)
- Ⓓ Height difference (Indoor unit-Outdoor unit) Max. 30 m, 100 ft
- Ⓔ Height difference (Indoor unit-Indoor unit) Max. 1 m, 3 ft

A: Main piping
B,C: Branch piping Max. 20 m, 65 ft

5. Drainage piping work

Outdoor unit drainage pipe connection

When drain piping is necessary, use the drain socket or the drain pan (option).

Drain socket *	PAC-SG61DS-E	
Drain pan *	HA24	PAC-SG64DP-E
	HA30/36/42	PAC-SH97DP-E

* Do not use the drain pipe in cold climates as it may freeze.

6. Electrical work

6.1. Outdoor unit (Fig. 6-1, Fig. 6-2)

- ① Remove the service panel.
- ② Wire the cables referring to the Fig. 6-1 and the Fig. 6-2.

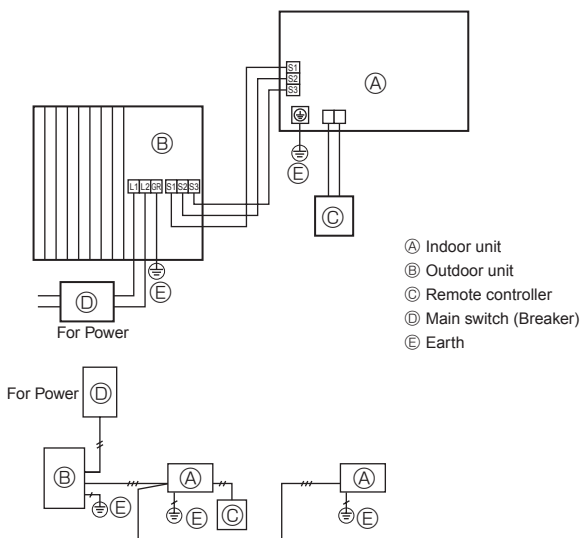


Fig. 6-1

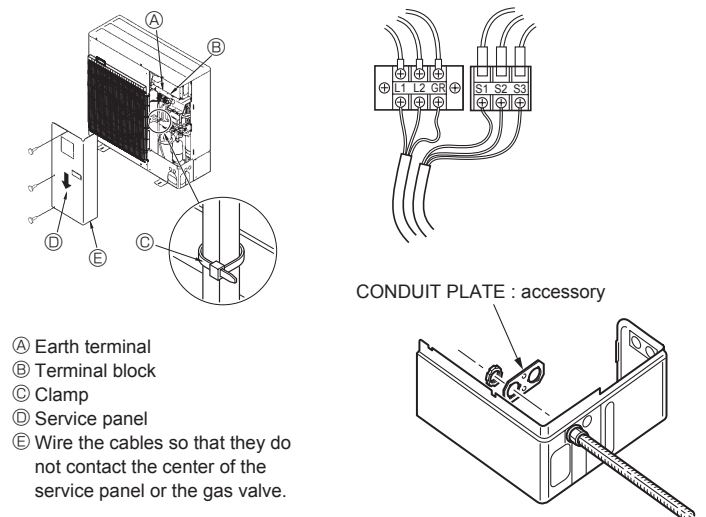


Fig. 6-2

6. Electrical work

6.2. Field electrical wiring

Outdoor unit model		HA24	HA30	HA36	HA42
Outdoor unit power supply		Single, 208/230 V, 60 Hz	Single, 208/230 V, 60 Hz	Single, 208/230 V, 60 Hz	Single, 208/230 V, 60 Hz
Breaker size		25 A	35 A	35 A	40 A
Minimum circuit ampacity		17 A	24 A	26 A	36 A
Maximum rating of overcurrent protective device		27 A	40 A	42 A	60 A
Wiring Wire No. × size	Outdoor unit power supply	2 × Min. AWG 12	2 × Min. AWG 10		2 × Min. AWG 8
	Outdoor unit power supply earth	1 × Min. AWG 12	1 × Min. AWG 10		1 × Min. AWG 8
	Indoor unit-Outdoor unit	3 × AWG 14 (polar)			
	Indoor unit earth	1 × Min. AWG 14			
	Remote controller-Indoor unit	2 × AWG 22 (Non-polar)			
Circuit rating	Outdoor unit L1-L2	208/230 VAC			
	Indoor unit-Outdoor unit S1-S2	208/230 VAC			
	Indoor unit-Outdoor unit S2-S3	24 VDC			
	Remote controller-Indoor unit	12 VDC			

*1. Max. 45 m, 147 ft

If 2.5 mm² used, Max. 50 m, 164 ft

If 2.5 mm² used and S3 separated, Max. 80 m, 262ft

*2. The 10 m, 30 ft wire is attached in the remote controller accessory. Max 1500 ft

*3. The figures are NOT always against the ground.

S3 terminal has 24 VDC against S2 terminal. However between S3 and S1, these terminals are NOT electrically insulated by the transformer or other device.

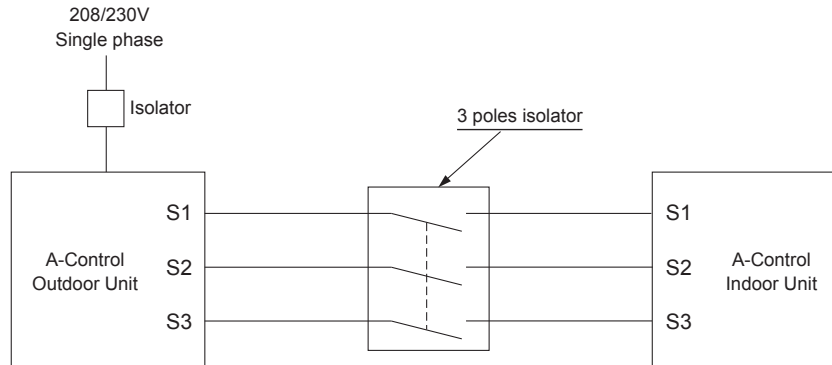
*4. Please follow applicable federal, state, or local codes to prevent potential leakage/electric shock. Or install a ground fault interrupt for the prevention of leakage and electric shock.

Notes: 1. Wiring size must comply with the applicable local and national code.

2. Use copper supply wires.

3. Use wires rated 600V or more for the power supply cables and the indoor/outdoor unit connecting cables.

4. Install an earth longer than other cables.



⚠ Warning:

In case of A-control wiring, there is high voltage potential on the S3 terminal caused by electrical circuit design that has no electrical insulation between power line and communication signal line. Therefore, please turn off the main power supply when servicing. And do not touch the S1, S2, S3 terminals when the power is energized. If isolator should be used between indoor unit and outdoor unit, please use 3-pole type.

⚠ Warning:

- Turn on the main power when the ambient temperature is -20°C, -4°F or higher.
- In below -20°C, -4°F condition, it needs at least 4hr standby to operate in order to warm the electrical parts.

Never splice the power cable or the indoor-outdoor connection cable, otherwise it may result in a smoke, a fire or communication failure.

7. Test run

7.1. Before test run

▶ After completing installation and the wiring and piping of the indoor and outdoor units, check for refrigerant leakage, looseness in the power supply or control wiring, wrong polarity, and no disconnection of one phase in the supply.

▶ Use a 500-volt megohmmeter to check that the resistance between the power supply terminals and ground is at least 1 MΩ.

▶ Do not carry out this test on the control wiring (low voltage circuit) terminals.

⚠ **Warning:**

Do not use the air conditioner if the insulation resistance is less than 1 MΩ.

Insulation resistance

After installation or after the power source to the unit has been cut for an extended period, the insulation resistance will drop below 1 MΩ due to refrigerant accumulating in the compressor. This is not a malfunction. Perform the following procedures.

1. Remove the wires from the compressor and measure the insulation resistance of the compressor.

2. If the insulation resistance is below 1 MΩ, the compressor is faulty or the resistance dropped due the accumulation of refrigerant in the compressor.

3. After connecting the wires to the compressor, the compressor will start to warm up after power is supplied. After supplying power for the times indicated below, measure the insulation resistance again.

- The insulation resistance drops due to accumulation of refrigerant in the compressor. The resistance will rise above 1 MΩ after the compressor is warmed up for two to three hours.

(The time necessary to warm up the compressor varies according to atmospheric conditions and refrigerant accumulation.)

- To operate the compressor with refrigerant accumulated in the compressor, the compressor must be warmed up at least 12 hours to prevent breakdown.

4. If the insulation resistance rises above 1 MΩ, the compressor is not faulty.

⚠ **Caution:**

• The compressor will not operate unless the power supply phase connection is correct.

• Turn on the power at least 12 hours before starting operation.

- Starting operation immediately after turning on the main power switch can result in severe damage to internal parts. Keep the power switch turned on during the operational season.

▶ The followings must be checked as well.

• The outdoor unit is not faulty. LED1 and LED2 on the control board of the outdoor unit flash when the outdoor unit is faulty.

• Both the gas and liquid stop valves are completely open.

• A protective sheet covers the surface of the DIP switch panel on the control board of the outdoor unit. Remove the protective sheet to operate the DIP switches easily.

• Make sure that the all of the SW5 DIP switches for function changes on the control board of the outdoor unit are set to OFF. If all of the SW5 switches are not set to OFF, record the settings and then set all of the switches to OFF. Begin recovering the refrigerant. After moving the unit to a new location and completing the test run, set the SW5 switches to the previously recorded settings.

7.2. Test run

7.2.1. Using SW4 in outdoor unit

SW4-1	ON	Cooling operation
SW4-2	OFF	
SW4-1	ON	Heating operation
SW4-2	ON	

* After performing the test run, set SW4-1 to OFF.

• After power is supplied, a small clicking noise may be heard from the inside of the outdoor unit. The electronic expansion valve is opening and closing. The unit is not faulty.

• A few seconds after the compressor starts, a clanging noise may be heard from the inside of the outdoor unit. The noise is coming from the check valve due to the small difference in pressure in the pipes. The unit is not faulty.

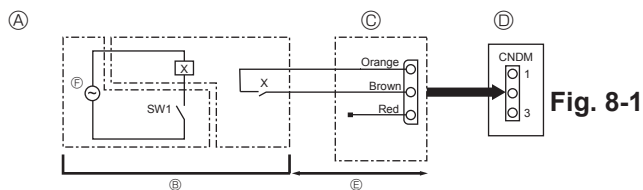
The test run operation mode cannot be changed by DIP switch SW4-2 during the test run. (To change the test run operation mode during the test run, stop the test run by DIP switch SW4-1. After changing the test run operation mode, resume the test run by switch SW4-1.)

7.2.2. Using remote controller

Refer to the indoor unit installation manual.

Note: Occasionally, vapor that is made by the defrost operation may seem as if smoke come up from the outdoor unit.

8. Special Functions



Ⓐ Circuit diagram example (low noise mode)

Ⓑ On-site arrangement

Ⓒ External input adapter (PAC-SC36NA-E)

X: Relay

Ⓓ Outdoor unit control board

Ⓔ Max. 10 m, 33 ft

Ⓕ Power supply for relay

8.1. Low noise mode (on-site modification) (Fig. 8-1)

By performing the following modification, operation noise of the outdoor unit can be reduced by about 3-4 dB.

The low noise mode will be activated when a commercially available timer or the contact input of an ON/OFF switch is added to the CNDM connector (option) on the control board of the outdoor unit.

• The ability varies according to the outdoor temperature and conditions, etc.

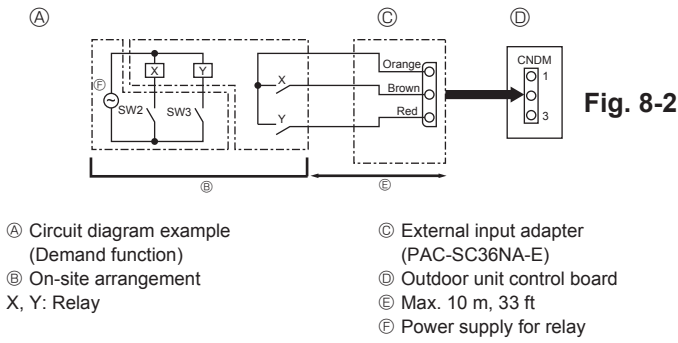
① Complete the circuit as shown when using the external input adapter (PAC-SC36NA-E). (Option)

② SW7-1 (Outdoor unit control board): OFF (Operation of HA24)

③ SW1 ON: Low noise mode

SW1 OFF: Normal operation

8. Special Functions



8.2. Demand function (on-site modification) (Fig. 8-2)

By performing the following modification, energy consumption can be reduced to 0–100% of the normal consumption.

The demand function will be activated when a commercially available timer or the contact input of an ON/OFF switch is added to the CNDM connector (option) on the control board of the outdoor unit.

- ① Complete the circuit as shown when using the external input adapter (PAC-SC36NA-E). (Option)
- ② By setting SW7-1 on the control board of the outdoor unit, the energy consumption (compared to the normal consumption) can be limited as shown below.

	SW7-1	SW2	SW3	Energy consumption
Demand function	ON	OFF	OFF	100%
		ON	OFF	75%
		ON	ON	50%
		OFF	ON	0% (Stop)

8.3. Refrigerant collecting (pump down)

Perform the following procedures to collect the refrigerant when moving the indoor unit or the outdoor unit.

- ① Supply power (circuit breaker).
 - * When power is supplied, make sure that “CENTRALLY CONTROLLED” is not displayed on the remote controller. If “CENTRALLY CONTROLLED” is displayed, the refrigerant collecting (pump down) cannot be completed normally.
 - * Start-up of the indoor-outdoor communication takes about 3 minutes after the power (circuit breaker) is turned on. Start the pump-down operation 3 to 4 minutes after the power (circuit breaker) is turned ON.
- ② After the liquid stop valve is closed, set the SWP switch on the control board of the outdoor unit to ON. The compressor (outdoor unit) and ventilators (indoor and outdoor units) start operating and refrigerant collecting operation begins. LED1 and LED2 on the control board of the outdoor unit are lit.
 - * Only set the SWP switch (push-button type) to ON if the unit is stopped. However, even if the unit is stopped and the SWP switch is set to ON less than 3 minutes after the compressor stops, the refrigerant collecting operation cannot be performed. Wait until compressor has been stopped for 3 minutes and then set the SWP switch to ON again.

- ③ Because the unit automatically stops in about 2 to 3 minutes when the refrigerant collecting operation is completed (LED1 off, LED2 lit), be sure to quickly close the gas stop valve. If LED1 is lit and LED2 is off and the outdoor unit is stopped, refrigerant collection is not properly performed. Open the liquid stop valve completely, and then repeat step ② after 3 minutes have passed.
 - * If the refrigerant collecting operation has been completed normally (LED1 off, LED2 lit), the unit will remain stopped until the power supply is turned off.
- ④ Turn off the power supply (circuit breaker).
 - * Note that when the extension piping is very long with large refrigerant amount, it may not be possible to perform a pump-down operation. When performing the pump-down operation, make sure that the low pressure is lowered to near 0 MPa (gauge).

⚠ Warning:

When pumping down the refrigerant, stop the compressor before disconnecting the refrigerant pipes. The compressor may burst if air etc. get into it.

9. System control (Fig. 9-1)

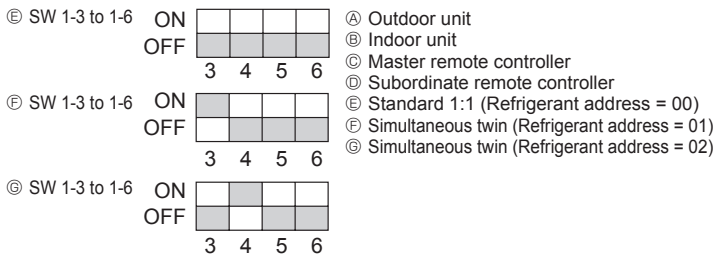


Fig. 9-1

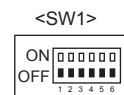
* Set the refrigerant address using the DIP switch of the outdoor unit.

- ① Wiring from the Remote Control
 - This wire is connected to TB5 (terminal board for remote controller) of the indoor unit (non-polar).
- ② When a Different Refrigerant System Grouping is Used.
 - Up to 16 refrigerant systems can be controlled as one group using the slim MA remote controller.

Note:

In single refrigerant system (twin), there is no need of wiring ②.

SW1
Function table



	Function	Operation according to switch setting	
		ON	OFF
SW1 function settings	1 Compulsory defrosting	Start	Normal
	2 Error history clear	Clear	Normal
	3 Refrigerant	Settings for outdoor unit addresses 0 to 15	
	4 system ad-		
	5 dress setting		
	6		

1. Consignes de sécurité	1	6. Installations électriques	8
2. Emplacement pour l'installation	2	7. Marche d'essai	10
3. Installation de l'appareil extérieur	5	8. Fonctions spéciales	10
4. Installation de la tuyauterie du réfrigérant	6	9. Contrôle du système (Fig. 9-1)	11
5. Mise en place du tuyau d'écoulement	8		

1. Consignes de sécurité

- ▶ Avant d'installer le climatiseur, lire attentivement toutes les "Consignes de sécurité".
- ▶ Veuillez consulter ou obtenir la permission votre compagnie d'électricité avant de connecter votre système.

⚠ Avertissement:
Précautions à suivre pour éviter tout danger de blessure ou de décès de l'utilisateur.

⚠ Précaution:
Décrit les précautions qui doivent être prises pour éviter d'endommager l'appareil.

- ⚠ Avertissement:**
- L'appareil ne doit pas être installé par l'utilisateur. Contacter un revendeur ou un technicien agréé pour installer l'appareil. Si l'appareil n'est pas correctement installé, des fuites d'eau, des chocs électriques ou des incendies peuvent se produire.
 - Pour l'installation, respecter les instructions du manuel d'installation et utiliser des outils et des composants de tuyau spécialement conçus pour une utilisation avec le réfrigérant R410A. La pression du réfrigérant R410A du système HFC est 1,6 fois supérieure à celle des réfrigérants traditionnels. Si des composants de tuyau non adaptés au réfrigérant R410A sont utilisés et si l'appareil n'est pas correctement installé, les tuyaux peuvent éclater et provoquer des dommages ou des blessures. Des fuites d'eau, des chocs électriques et des incendies peuvent également se produire.
 - Lors de l'installation de l'appareil, utiliser un équipement de protection et des outils appropriés pour assurer la sécurité. Le non-respect de cette consigne peut entraîner des blessures.
 - L'appareil doit être installé conformément aux instructions pour réduire les risques de dommages liés à des tremblements de terre, des typhons ou des vents violents. Une installation incorrecte peut entraîner la chute de l'appareil et provoquer des dommages ou des blessures.
 - L'appareil doit être solidement installé sur une structure pouvant supporter son poids. Si l'appareil est fixé sur une structure instable, il risque de tomber et de provoquer des dommages ou des blessures.
 - Si le climatiseur est installé dans une petite pièce, certaines mesures doivent être prises pour éviter que la concentration de réfrigérant ne dépasse le seuil de sécurité en cas de fuite. Consulter un revendeur pour obtenir les mesures adéquates et ainsi éviter de dépasser la concentration autorisée. En cas de fuite de réfrigérant et de dépassement du seuil de concentration, des risques liés au manque d'oxygène dans la pièce peuvent survenir.
 - Aérer la pièce en cas de fuite de réfrigérant lors de l'utilisation. Le contact du réfrigérant avec une flamme peut provoquer des émanations de gaz toxiques.
 - Toutes les installations électriques doivent être effectuées par un technicien qualifié conformément aux réglementations locales et aux instructions fournies dans ce manuel. Les appareils doivent être alimentés par des lignes électriques adaptées. Utiliser la tension correcte et des coupe-circuits. Des lignes électriques de capacité insuffisante ou des installations électriques incorrectes peuvent provoquer un choc électrique ou un incendie.
 - Utiliser le cuivre phosphoreux C1220, pour des tuyaux sans soudure en cuivre et en alliage de cuivre, pour raccorder les tuyaux de réfrigérant. Si les tuyaux ne sont pas correctement raccordés, la mise à la terre de l'appareil ne sera pas conforme et des chocs électriques peuvent se produire.

1.1. Avant l'installation

- ⚠ Précaution:**
- Ne pas utiliser l'appareil dans un environnement inhabituel. Si le climatiseur est installé dans des endroits exposés à la vapeur, à l'huile volatile (notamment l'huile de machine), au gaz sulfurique, à une forte teneur en sel, par exemple, à la mer, ou dans des endroits où l'appareil sera recouvert de neige, les performances peuvent considérablement diminuer et les pièces internes de l'appareil être endommagées.
 - Ne pas installer l'appareil dans des endroits où des gaz de combustion peuvent s'échapper, se dégager ou s'accumuler. L'accumulation de gaz de combustion autour de l'appareil peut provoquer un incendie ou une explosion.

1.2. Avant l'installation (déplacement)

- ⚠ Précaution:**
- Transportez et installez les appareils avec précaution. L'appareil doit être transporté par 2 personnes ou plus, car il pèse 20 kg, 44 lbs minimum. Ne pas tirer les rubans d'emballage. Portez des gants de protection pour sortir l'appareil de son emballage et pour le déplacer, car vous risquez de vous blesser les mains sur les ergots ou les arêtes des autres pièces.
 - Veiller à éliminer le matériel d'emballage en toute sécurité. Le matériel d'emballage (clous et autres pièces en métal ou en bois) peut provoquer des blessures.

Une fois l'installation terminée, expliquer les "Consignes de sécurité", l'utilisation et l'entretien de l'appareil au client conformément aux informations du mode d'emploi et effectuer l'essai de fonctionnement en continu pour garantir un fonctionnement normal. Le manuel d'installation et le mode d'emploi doivent être fournis à l'utilisateur qui doit les conserver. Ces manuels doivent également être transmis aux nouveaux utilisateurs.

⚡ : Indique un élément qui doit être mis à la terre.

⚠ Avertissement:
Prendre soin de lire les étiquettes se trouvant sur l'appareil principal.

- N'utiliser que les câbles spécifiés pour les raccordements. Les raccordements doivent être réalisés correctement sans tension sur les bornes. Ne jamais effectuer de jonction sur les câbles (sauf en cas d'indications contraires). Le non respect de cette consigne peut entraîner une surchauffe ou un incendie.
- Le couvercle du bloc de sortie de l'appareil extérieur doit être solidement fixé. S'il n'est pas correctement installé et si des poussières et de l'humidité s'infiltrent dans l'appareil, un choc électrique ou un incendie peut se produire.
- Lors de l'installation, du déplacement ou de l'entretien du climatiseur, n'utilisez que le réfrigérant spécifié (R410A) pour remplir les tuyaux de réfrigérant. Ne pas le mélanger avec un autre réfrigérant et faire le vide d'air dans les tuyaux. Si du réfrigérant est mélangé avec de l'air, cela peut provoquer des pointes de pression dans les tuyaux de réfrigérant et entraîner une explosion et d'autres risques. L'utilisation d'un réfrigérant différent de celui spécifié pour le climatiseur peut entraîner des défaillances mécaniques, des dysfonctionnements du système ou une panne de l'appareil. Dans le pire des cas, cela peut entraîner un obstacle à la mise en sécurité du produit.
- N'utiliser que les accessoires agréés par Mitsubishi Electric et contacter un revendeur ou un technicien agréé pour les installer. Si les accessoires ne sont pas correctement installés, une fuite d'eau, un choc électrique ou un incendie peut se produire.
- Ne pas changer l'appareil. Consulter un revendeur en cas de réparations. Si les modifications ou réparations ne sont pas correctement effectuées, une fuite d'eau, un choc électrique ou un incendie peut se produire.
- L'utilisateur ne doit jamais essayer de réparer ou de déplacer l'appareil. Si l'appareil n'est pas correctement installé, des fuites d'eau, des chocs électriques ou des incendies peuvent se produire. Si le climatiseur doit être réparé ou déplacé, contacter un revendeur ou un technicien agréé.
- Une fois l'installation terminée, vérifier les éventuelles fuites de réfrigérant. Si le réfrigérant fuit dans la pièce et entre en contact avec la flamme d'un chauffage ou d'une cuisinière, des gaz toxiques peuvent se dégager.
- Lors de l'ouverture ou de la fermeture de la vanne sous des températures de congélation, le réfrigérant peut jaillir de l'espace entre la tige de vanne et le corps de vanne et provoquer des blessures.

- L'appareil extérieur produit de la condensation lors du fonctionnement du chauffage. Prévoir un système de drainage autour de l'appareil extérieur au cas où la condensation provoquerait des dommages.
- Lors de l'installation de l'appareil dans un hôpital ou un centre de communications, se préparer au bruit et aux interférences électroniques. Les inverseurs, les appareils électroménagers, les équipements médicaux haute fréquence et de communications radio peuvent provoquer un dysfonctionnement ou une défaillance du climatiseur. Le climatiseur peut également endommager les équipements médicaux et de communications, perturbant ainsi les soins et réduisant la qualité d'affichage des écrans.

- La base et les fixations de l'appareil extérieur doivent être vérifiées régulièrement pour éviter qu'elles ne se desserrent, se fissurent ou subissent d'autres dommages. Si ces défauts ne sont pas corrigés, l'appareil peut tomber et provoquer des dommages ou des blessures.
- Ne pas nettoyer le climatiseur à l'eau au risque de provoquer un choc électrique.
- Serrer les écrous évasés, conformément aux spécifications, à l'aide d'une clé dynamométrique. Si les écrous sont trop serrés, ils peuvent se casser après un certain temps et provoquer une fuite de réfrigérant.

1. Consignes de sécurité

1.3. Avant l'installation électrique

⚠ Prudence:

- Veiller à installer des coupe-circuits. Dans le cas contraire, un choc électrique peut se produire.
- Veuillez respecter les réglementations nationales, de l'état ou locales applicables pour prévenir les fuites/chocs électriques potentiels. Ou installez un disjoncteur de fuite à la terre pour la prévention des fuites et des chocs électriques.
- Pour les lignes électriques, utiliser des câbles standard de capacité suffisante. Dans le cas contraire, un court-circuit, une surchauffe ou un incendie peut se produire.
- Lors de l'installation des lignes électriques, ne pas mettre les câbles sous tension. Si les connexions sont desserrées, les câbles peuvent se rompre et provoquer une surchauffe ou un incendie.

1.4. Avant la marche d'essai

⚠ Prudence:

- Activer l'interrupteur principal au moins 12 heures avant la mise en fonctionnement de l'appareil. L'utilisation de l'appareil juste après sa mise sous tension peut endommager sérieusement les pièces internes. Laisser l'interrupteur activé pendant la période d'utilisation.
- Avant d'utiliser l'appareil, vérifier que tous les panneaux, toutes les protections et les autres pièces de sécurité sont correctement installés. Les pièces tournantes, chaudes ou à haute tension peuvent provoquer des blessures.
- Ne pas toucher les interrupteurs les mains humides au risque de provoquer un choc électrique.

1.5. Utilisation de climatiseurs utilisant le réfrigérant R410A

⚠ Prudence:

- Utiliser le cuivre phosphoreux C1220, pour des tuyaux sans soudure en cuivre et en alliage de cuivre, pour raccorder les tuyaux de réfrigérant. Vérifier que l'intérieur des tuyaux est propre et dépourvu de tout agent nocif tel que des composés sulfuriques, des oxydants, des débris ou des saletés. Utiliser des tuyaux d'épaisseur spécifiée. (Voir point 4.1.). Respecter les instructions suivantes en cas de réutilisation de tuyaux de réfrigérant R22 existants.
 - Remplacer les écrous évasés existants et évaser de nouveau les sections évasées.
 - Ne pas utiliser de tuyaux fins. (Voir point 4.1.)
- Stocker à l'intérieur les tuyaux à utiliser pendant l'installation et couvrir les deux extrémités jusqu'au processus de brasage. (Laisser les joints de coude, etc. dans leur emballage.) L'infiltration de poussières, de débris ou d'humidité dans les tuyaux de réfrigérant peut affecter la qualité de l'huile ou endommager le compresseur.
- Appliquer une petite quantité d'huile ester, éther ou alkylbenzène comme huile réfrigérante sur les sections évasées. Le mélange d'huile minérale et d'huile réfrigérante peut affecter la qualité de l'huile.

- Veiller à mettre l'appareil à la terre. Ne pas relier le fil de terre aux conduites de gaz ou d'eau, aux paratonnerres ou aux lignes de terre téléphoniques. Une mise à la terre incorrecte de l'appareil peut provoquer un choc électrique.
- Utiliser des coupe-circuits (disjoncteur de fuite à la terre, interrupteur d'isolement (fusible +B) et disjoncteur à boîtier moulé) à la capacité spécifiée. Si la capacité du coupe-circuit est supérieure à celle spécifiée, une défaillance ou un incendie peut se produire.

- Ne pas toucher les tuyaux de réfrigérant les mains nues lors de l'utilisation. Les tuyaux de réfrigérant sont chauds ou froids en fonction de l'état du réfrigérant qu'ils contiennent. Toucher les tuyaux peut provoquer des brûlures ou des gelures.
- A la fin de l'utilisation de l'appareil, attendre au moins cinq minutes avant de désactiver l'interrupteur principal. Dans le cas contraire, une fuite d'eau ou une défaillance peut se produire.

- Ne pas utiliser un réfrigérant autre que le réfrigérant R410A. Si c'est le cas, le chlore peut affecter la qualité de l'huile.
- Utiliser les outils suivants spécialement conçus pour une utilisation avec le réfrigérant R410A. Les outils suivants sont nécessaires pour utiliser le réfrigérant R410A. En cas de questions, contacter le revendeur le plus proche.

Outils (pour R410A)	
Collecteur jauge	Outil d'évasement
Tuyau de charge	Jauge de réglage de la taille
Détecteur de fuite de gaz	Adaptateur pour pompe à vide
Clé dynamométrique	Echelle électronique de charge de réfrigérant

- Veiller à utiliser les outils adaptés. L'infiltration de poussières, de débris ou d'humidité dans les tuyaux de réfrigérant peut affecter la qualité de l'huile réfrigérante.
- Ne pas utiliser un cylindre de charge. L'utilisation d'un cylindre de charge peut modifier la composition du réfrigérant et réduire son efficacité.

2. Emplacement pour l'installation

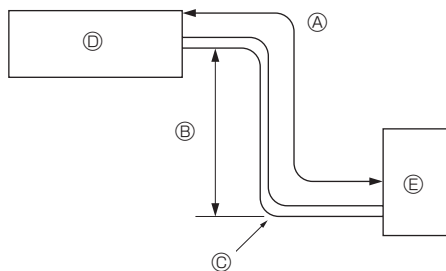


Fig. 2-1

2.1. Tuyaux de réfrigérant (Fig. 2-1)

- ▶ Vérifier que la différence de hauteur entre les appareils intérieur et extérieur, la longueur du tuyau de réfrigérant et le nombre de coudes permis dans le tuyau se situent au sein des limites reprises dans le tableau ci-dessous.

	Ⓐ Longueur du tuyau (un sens)	Ⓑ Différence de hauteur	Ⓒ Nombre de coudes (un sens)
HA24	Max. 50 m, 165 ft *1	Max. 30 m, 100 ft	Max. 15
HA30, HA36, HA42	Max. 75 m, 245 ft *1	Max. 30 m, 100 ft	Max. 15

*1. Si l'appareil extérieur est raccordé à l'appareil intérieur A-COIL (PAA-A24, 30, 36), la longueur de la tuyauterie est "Max. 30 m, 100 ft".

- Les spécifications concernant la différence d'élévation s'appliquent à toutes dispositions des appareils intérieurs et extérieurs, sans tenir compte de celui qui est le plus élevé.
 - Ⓓ Appareil intérieur
 - Ⓔ Appareil extérieur

2.2. Sélection de l'emplacement d'installation de l'appareil extérieur

- Eviter les endroits exposés au rayonnement solaire direct ou à d'autres sources de chaleur.
- Sélectionner un endroit où le bruit de l'appareil n'incommodera pas le voisinage.
- Sélectionner un endroit permettant un accès facile des câbles et tuyaux à la source d'alimentation et à l'appareil intérieur.
- Eviter les endroits exposés à des risques de fuite, d'échappement ou d'accumulation de gaz.
- Ne pas oublier que des gouttes d'eau peuvent couler de l'appareil lors de son utilisation.
- Sélectionner un endroit de niveau pouvant supporter le poids et les vibrations de l'appareil.
- Eviter les endroits où l'appareil peut être recouvert de neige. Dans les zones où les chutes de neige importantes sont prévisibles, certaines précautions (par ex., relever l'emplacement d'installation ou installer une hotte sur l'arrivée d'air) doivent être prises pour éviter que la neige ne bloque l'arrivée d'air ou ne tombe directement dessus. La circulation de l'air risque de diminuer et d'entraîner un dysfonctionnement.
- Eviter les endroits exposés à l'huile, à la vapeur ou au gaz sulfurique.
- Utiliser les poignées de transport (quatre emplacements à gauche, à droite, à l'avant et à l'arrière) de l'appareil extérieur pour le déplacer. Transporter l'appareil par le bas peut provoquer des pincements aux mains ou aux doigts.

2.3. Dimensions extérieures (Appareil extérieur) (Fig. 2-2)

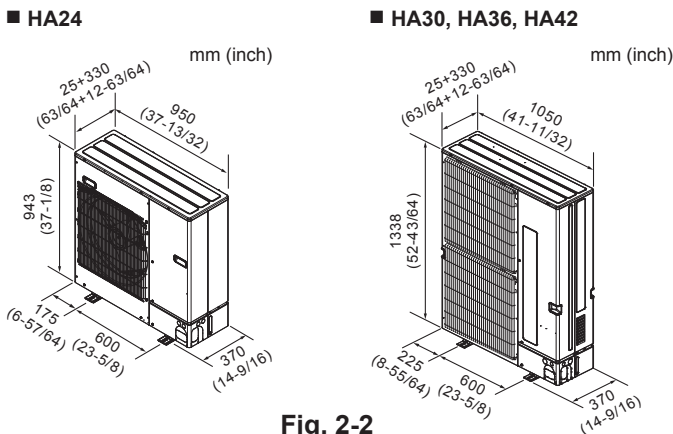


Fig. 2-2

2. Emplacement pour l'installation

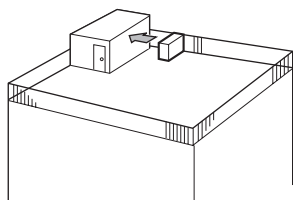


Fig. 2-3

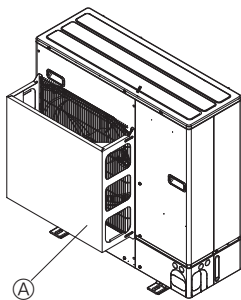


Fig. 2-4

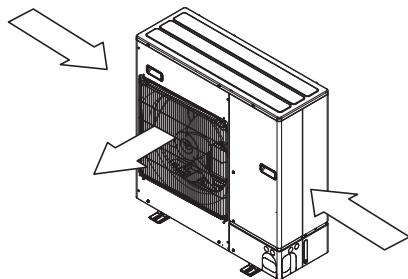


Fig. 2-5

2.4. Ventilation et espace de service

2.4.1. Installation à un endroit exposé au vent

Lors de l'installation de l'appareil extérieur sur un toit ou à d'autres endroits non protégés du vent, diriger la sortie d'air de l'appareil vers le côté qui n'est pas directement exposé aux vents forts. Le vent soufflant dans la sortie d'air peut empêcher l'air de circuler normalement et provoquer un dysfonctionnement.

Voici trois exemples de précautions à prendre.

- ① Positionner la sortie d'air vers le mur le plus proche et à environ 500 mm, 19-11/16 inch de celui-ci. (Fig. 2-3)
- ② Installez un guide de protection d'air si l'appareil est installé à un endroit où des vents violents, en cas de typhon par exemple, risquent de souffler directement dans la sortie d'air. (Fig. 2-4)
 - Ⓐ Guide de protection d'air
- ③ Placer l'appareil de sorte que la sortie d'air souffle dans la direction perpendiculaire à celle des vents saisonniers, si celle-ci est connue. (Fig. 2-5)
 - Ⓑ Sens du vent

2. Emplacement pour l'installation

2.4.2. Lors de l'installation d'un seul appareil extérieur

Le dimensions minimales sont les suivantes, à l'exception des valeurs Max., indiquant les dimensions maximales.

Le chiffre entre parenthèses concerne les modèles HA30, 36, 42.

Utiliser les chiffres pour chaque cas.

- ① Obstacles uniquement à l'arrière (Fig. 2-6)
- ② Obstacles uniquement à l'arrière et au-dessus (Fig. 2-7)
- ③ Obstacles uniquement à l'arrière et sur les côtés (Fig. 2-8)
- ④ Obstacles uniquement à l'avant (Fig. 2-9)
- * Lors de l'utilisation d'un guidage de sortie d'air en option, le jeu des modèles HA30, 36, 42 est de 500 mm, 19-11/16 inch minimum.
- ⑤ Obstacles uniquement à l'avant et à l'arrière (Fig. 2-10)
- * Lors de l'utilisation d'un guidage de sortie d'air en option, le jeu des modèles HA30, 36, 42 est de 500 mm, 19-11/16 inch minimum.
- ⑥ Obstacles uniquement à l'arrière, sur les côtés et au-dessus (Fig. 2-11)
- Ne pas utiliser les guidages de sortie d'air en option pour un débit d'air vers le haut.

2.4.3. Lors de l'installation de plusieurs appareils extérieurs

Laisser 25 mm, 1 inch d'espace entre les appareils.

- ① Obstacles uniquement à l'arrière (Fig. 2-12)
- ② Obstacles uniquement à l'arrière et au-dessus (Fig. 2-13)
- Ne pas installer côte à côte plus de trois appareils. Espacer également les appareils, comme illustré.
- Ne pas utiliser les guidages de sortie d'air en option pour un débit d'air vers le haut.
- ③ Obstacles uniquement à l'avant (Fig. 2-14)
- * Lors de l'utilisation d'un guidage de sortie d'air en option, le jeu des modèles HA30, 36, 42 est de 1000 mm, 39-3/8 inch minimum.
- ④ Obstacles uniquement à l'avant et à l'arrière (Fig. 2-15)
- * Lors de l'utilisation d'un guidage de sortie d'air en option, le jeu des modèles HA30, 36, 42 est de 1000 mm, 39-3/8 inch minimum.
- ⑤ Disposition pour un seul appareil parallèle (Fig. 2-16)
- * Lors de l'utilisation d'un guidage de sortie d'air en option installé pour un débit d'air vers le haut, le jeu est de 500 (1000) mm, 19-11/16 (39-3/8) inch minimum.
- ⑥ Disposition pour plusieurs appareils parallèles (Fig. 2-17)
- * Lors de l'utilisation d'un guidage de sortie d'air en option installé pour un débit d'air vers le haut, le jeu est de 1000 (1500) mm, 39-3/8 (59-1/16) inch minimum.
- ⑦ Disposition pour appareils empilés (Fig. 2-18)
- Il est possible d'empiler jusqu'à deux appareils.
- Ne pas installer côte à côte plus de deux appareils empilés. Espacer également les appareils, comme illustré.

mm [inch]

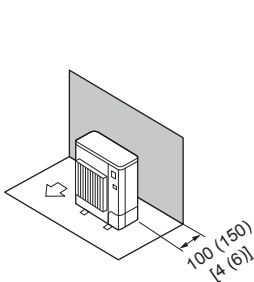


Fig. 2-6

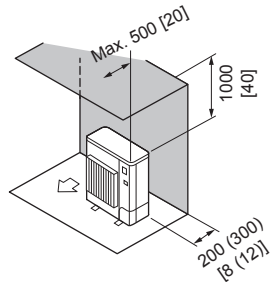


Fig. 2-7

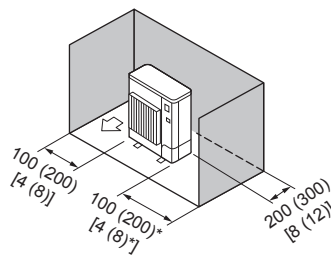


Fig. 2-8

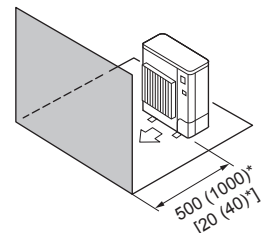


Fig. 2-9

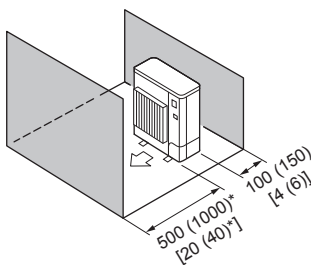


Fig. 2-10

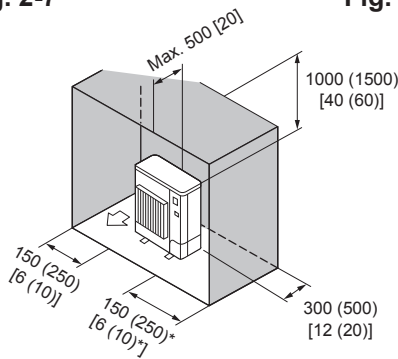


Fig. 2-11

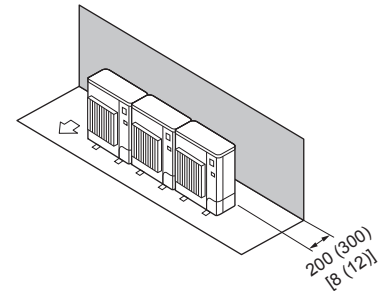


Fig. 2-12

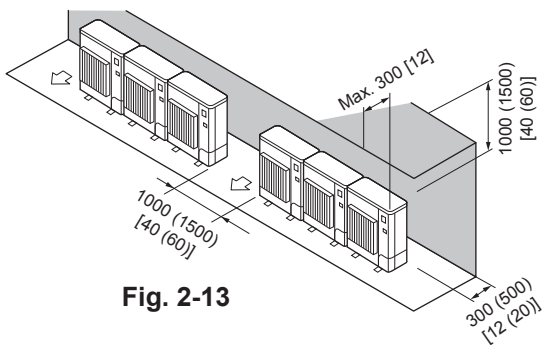


Fig. 2-13

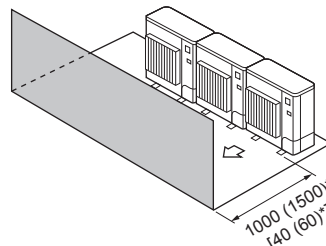


Fig. 2-14

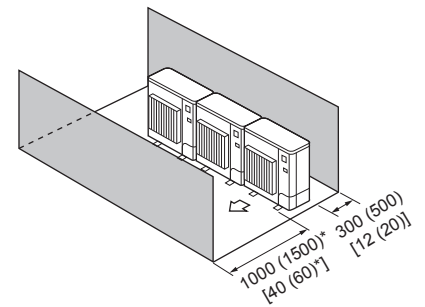


Fig. 2-15

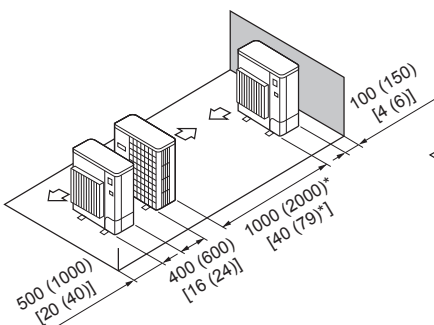


Fig. 2-16

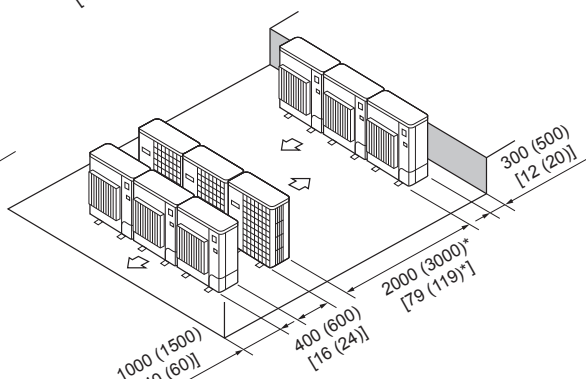


Fig. 2-17

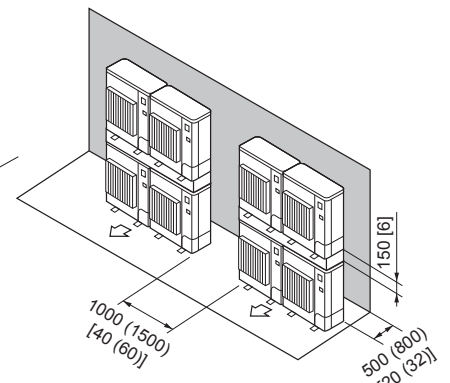
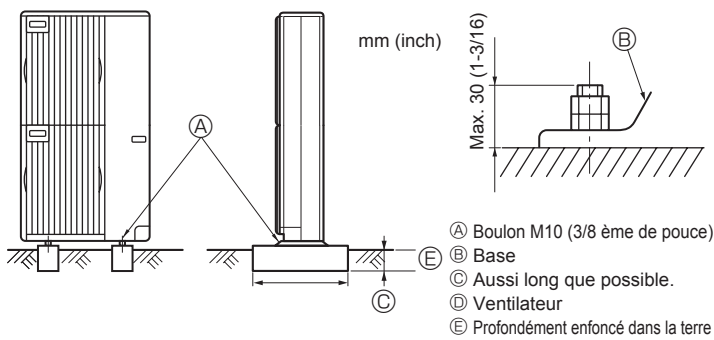


Fig. 2-18

3. Installation de l'appareil extérieur



- Bien installer l'appareil sur une surface solide et de niveau, de façon à éviter tout bruit de crécelle pendant le fonctionnement. (Fig. 3-1)

<Spécifications de la fondation>

Boulon de fondation	M10 (3/8")
Épaisseur de béton	120 mm, 4-23/32 inch
Longueur des boulons	70 mm, 2-3/4 inch
Résistance au poids	320 kg, 264 lbs

- S'assurer que la longueur des boulons de fondation ne dépasse pas 30 mm, 1-3/16 inch par rapport à la surface inférieure de la base.
- Fixer fermement la base de l'appareil avec quatre boulons de fondation M10 placés à des endroits suffisamment robustes.

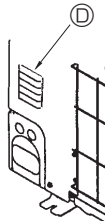
Installation de l'appareil extérieur

- Ne pas bloquer le ventilateur. Si le ventilateur est bloqué, l'appareil sera ralenti et risque d'être endommagé.
- Pour installer l'appareil, utiliser, si nécessaire et en plus de la base de l'appareil, les orifices d'installation situés à l'arrière pour fixer les câbles, etc. Utiliser des vis autotaraudeuses (ø5 × 15 mm, ø13/16 × 19/32 inch moins) et installer l'appareil sur site.

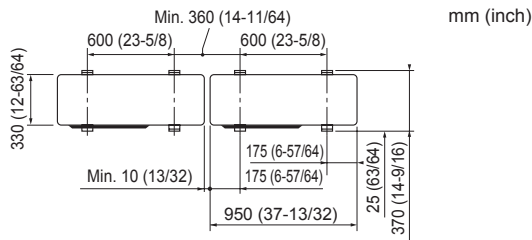
⚠ Avertissement:

- L'appareil doit être solidement installé sur une structure pouvant supporter son poids. Si l'appareil est fixé sur une structure instable, il risque de tomber et de provoquer des dommages ou des blessures.
- L'appareil doit être installé conformément aux instructions pour réduire les risques de dommages liés à des tremblements de terre, des typhons ou des vents violents. Une installation incorrecte peut entraîner la chute de l'appareil et provoquer des dommages ou des blessures.

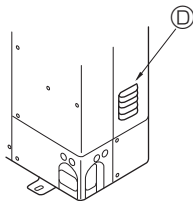
■ HA24



<Écartement du boulon de fondation>



■ HA30, HA36, HA42



<Écartement du boulon de fondation>

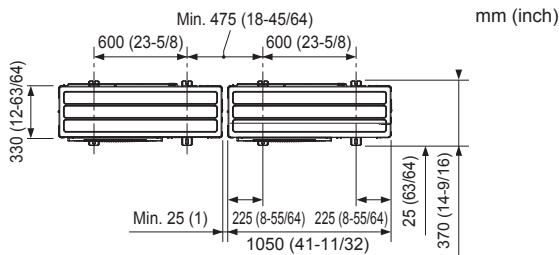


Fig. 3-1

4. Installation de la tuyauterie du réfrigérant

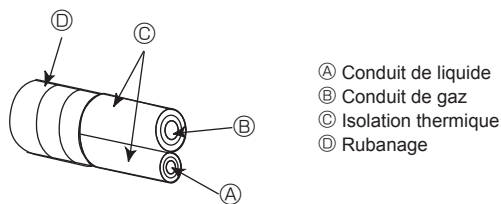


Fig. 4-1

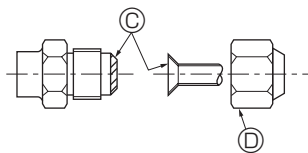
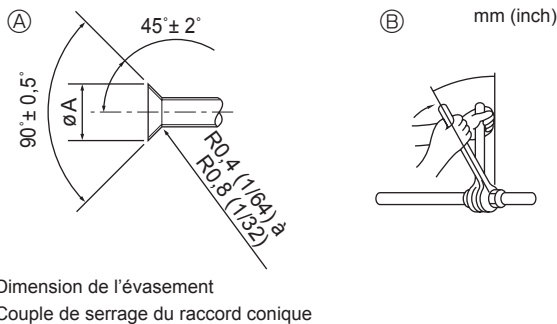


Fig. 4-2

Ⓐ (Fig. 4-1)

Diam. ext. Tuyau en cuivre		Dimensions évasement Dimensions ØA	
(mm)	(inch)	(mm)	(inch)
ø6,35	1/4"	8,7 - 9,1	11/32 - 23/64
ø9,52	3/8"	12,8 - 13,2	1/2 - 33/64
ø12,7	1/2"	16,2 - 16,6	41/64 - 21/32
ø15,88	5/8"	19,3 - 19,7	49/64 - 25/32

Ⓑ (Fig. 4-1)

Diam. ext. Tuyau en cuivre		Diam. ext. raccord conique		Couple de serrage	
(mm)	(inch)	(mm)	(inch)	(N·m)	(ft·lbs)
ø6,35	1/4"	17	43/64	14 - 18	10 - 13
ø9,52	3/8"	22	7/8	34 - 42	25 - 30
ø12,7	1/2"	26	1 - 3/64	49 - 61	35 - 44
ø15,88	5/8"	29	1 - 9/64	68 - 82	49 - 59

4.1. Consignes pour appareils utilisant le réfrigérant R410A

- Se reporter à la section 1.5. pour les précautions non reprises ci-dessous concernant l'utilisation de climatiseurs avec le réfrigérant R410A.
- Appliquer une petite quantité d'huile ester, éther ou alkylbenzène comme huile réfrigérante sur les sections évasées.
- Utiliser le cuivre phosphoreux C1220, pour des tuyaux sans soudure en cuivre et en alliage de cuivre, pour raccorder les tuyaux de réfrigérant. Utiliser les tuyaux de réfrigérant dont l'épaisseur est spécifiée dans le tableau ci-dessous. Vérifier que l'intérieur des tuyaux est propre et dépourvu de tout agent nocif tel que des composés sulfuriques, des oxydants, des débris ou des saletés.

⚠ Avertissement:

Lors de l'installation, du déplacement ou de l'entretien du climatiseur, n'utilisez que le réfrigérant spécifié (R410A) pour remplir les tuyaux de réfrigérant. Ne pas le mélanger avec un autre réfrigérant et faire le vide d'air dans les tuyaux.

Si du réfrigérant est mélangé avec de l'air, cela peut provoquer des pointes de pression dans les tuyaux de réfrigérant et entraîner une explosion et d'autres risques.

L'utilisation d'un réfrigérant différent de celui spécifié pour le climatiseur peut entraîner des défaillances mécaniques, des dysfonctionnements du système ou une panne de l'appareil. Dans le pire des cas, cela peut entraîner un obstacle à la mise en sécurité du produit.

Conduit de liquide	ø9,52 mm, 3/8 inch épaisseur 0,8 mm, 1/32 inch
Conduit de gaz	ø15,88 mm, 5/8 inch épaisseur 1,0 mm, 3/64 inch

- Ne pas utiliser de tuyaux plus fins que ceux spécifiés ci-dessus.

4.2. Connexion des tuyaux (Fig. 4-1, Fig. 4-2)

En cas d'utilisation de tuyaux en cuivre disponibles sur le marché, isoler séparément les tuyaux de liquide et de gaz avec un matériau isolant vendu dans le commerce (résistant à une température de 100 °C, 212 °F ou plus, et d'une épaisseur de 12 mm, 1/2 inch ou plus). (Fig. 4-1)

- Les parties intérieures du tuyau d'écoulement doivent également être entourées de matière isolante en mousse de polyéthylène (avec une poids spécifique de 0,03 et de 9 mm, 23/64 inch d'épaisseur ou plus).

[Fig. 4-2]

- Appliquer un film mince d'huile réfrigérante sur la surface du tuyau et du support du joint avant de serrer l'écrou évasé. Ⓐ
- Utiliser deux clés pour serrer les connexions des tuyaux. Ⓑ
- Lorsque le raccord des tuyaux est terminé, utiliser un détecteur de fuite de gaz ou une solution savonneuse à base d'eau pour s'assurer qu'il n'y ait pas de fuite de gaz.
- Appliquer de l'huile réfrigérante sur toute la surface évasée du fond. Ⓒ
- Utiliser les écrous évasés correspondant aux tailles de tuyaux suivantes. Ⓓ

Côté gaz	Diamètre du tuyau (mm, inch)	ø15,88, 5/8"
Côté liquide	Diamètre du tuyau (mm, inch)	ø9,52, 3/8"

*: Le raccord conique est fourni en tant qu'accessoire d'appareil extérieur.

Veiller à l'utiliser pour éviter une fuite de gaz, voire une extraction du tuyau.

- Veiller à ne pas rompre les tuyaux lors de leur courbure. Des rayons de courbure compris entre 100 mm, 3-15/16 inch à 150 mm, 5-27/32 inch suffisent.

- Vérifier que les tuyaux ne touchent pas le compresseur. Des vibrations ou des bruits anormaux pourraient se produire.

⓪ Raccorder les tuyaux en commençant par l'appareil intérieur.

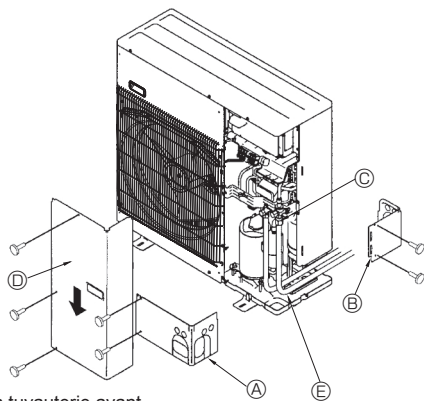
Serrer les écrous évasés à l'aide d'une clé dynamométrique.

Ⓛ Evaser les conduits de liquide et de gaz, puis appliquer un film mince d'huile réfrigérante (application sur site).

⚠ Avertissement:

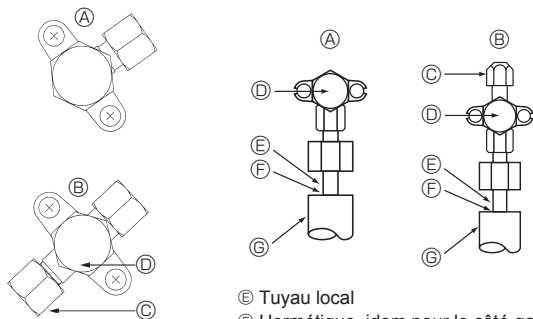
Pendant l'installation de l'appareil, brancher correctement les tuyaux de réfrigérant avant de lancer le compresseur.

4. Installing the refrigerant piping



- Ⓐ Couvercle de la tuyauterie avant
- Ⓑ Couvercle de la tuyauterie
- Ⓒ Vanne d'arrêt
- Ⓓ Panneau de service
- Ⓔ Rayon de cintrage : 100 mm, 3-15/16 inch-150 mm, 5-27/32 inch

Fig. 4-3



- Ⓐ Vanne d'arrêt <côté gaz>
- Ⓑ Vanne d'arrêt <côté liquide>
- Ⓒ Orifice pour l'entretien
- Ⓓ Section d'ouverture/fermeture
- Ⓔ Tuyau local
- Ⓕ Hermétique, idem pour le côté gaz
- Ⓖ Fourrure du tuyau
- Ⓗ Ne pas utiliser de clé ici. Il pourrait y avoir des fuites de réfrigérant. Utiliser deux clés ici.

Fig. 4-4

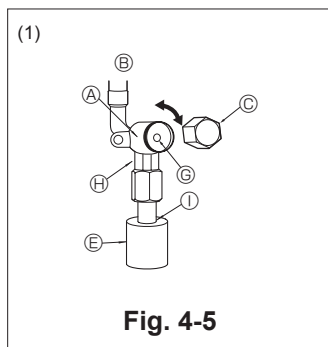


Fig. 4-5

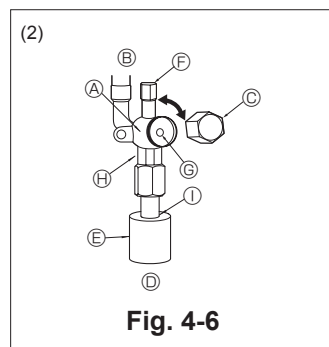


Fig. 4-6

- Ⓐ Corps de vanne
- Ⓑ Côté appareil
- Ⓒ Capuchon
- Ⓓ Côté tuyau local
- Ⓔ Gaine du tuyau
- Ⓕ Orifice pour l'entretien
- Ⓖ Tige de vanne
- Ⓗ Côté clé double (Utiliser une clé de ce côté uniquement. Dans le cas contraire, une fuite de liquide pourrait en résulter.)
- Ⓖ Côté joint d'étanchéité (Étancher l'extrémité de l'isolation thermique du côté du raccord du tuyau avec un produit d'étanchéité quelconque pour éviter toute infiltration d'eau dans le matériel d'isolation thermique.)

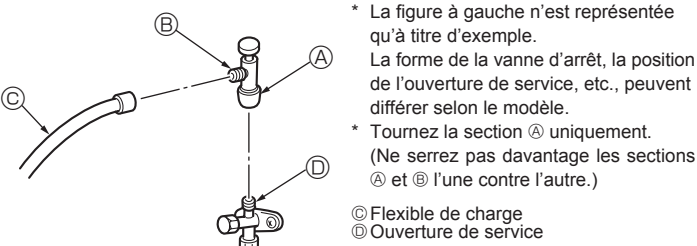


Fig. 4-7

- * La figure à gauche n'est représentée qu'à titre d'exemple. La forme de la vanne d'arrêt, la position de l'ouverture de service, etc., peuvent différer selon le modèle.
- * Tournez la section Ⓐ uniquement. (Ne serrez pas davantage les sections Ⓐ et Ⓑ l'une contre l'autre.)
- Ⓒ Flexible de charge
- Ⓓ Ouverture de service

4.3. Mise en place des tuyaux de réfrigérant (Fig. 4-3)

Veillez choisir soigneusement l'emplacement de l'unité interne lorsque la longueur du tuyau est inférieure aux valeurs indiquées ci-dessous, car il pourrait se produire, pendant le fonctionnement normal, des bruits intermittents qui seraient perceptibles dans des environnements très calmes.

- HA24/30/36: 16 ft. (5 m)
- HA42: 25 ft. (7.5 m)

Retirer le panneau de service Ⓓ (3 vis) le cache-tuyaux avant Ⓐ (2 vis) et le cache-tuyaux arrière Ⓑ (2 vis : HA24) (4 vis : HA30, HA36, HA42).

- ① Effectuer les raccordements des tuyaux de réfrigérant de l'appareil intérieur/extérieur lorsque la vanne d'arrêt de l'appareil extérieur est complètement fermée.
- ② Faire le vide d'air de l'appareil intérieur et des tuyaux de raccordement.
- ③ Une fois les tuyaux de réfrigérant raccordés, vérifier les éventuelles fuites de gaz dans les tuyaux raccordés et l'appareil intérieur. (Voir 4.4. Test d'étanchéité des tuyaux de réfrigérant.)
- ④ Vider les tuyaux de réfrigérant par l'orifice de service de la vanne d'arrêt de liquide, puis ouvrir complètement les vannes d'arrêt (de gaz et de liquide). Cette opération permet le raccordement complet des tuyaux de réfrigérant des appareils intérieur et extérieur.
 - Faire fonctionner l'appareil sans avoir ouvert les vannes d'arrêt risque d'endommager le compresseur et la vanne de commande.
 - Utiliser un détecteur de fuites ou de l'eau savonneuse pour vérifier les éventuelles fuites de gaz aux sections de raccordement des tuyaux de l'appareil extérieur.
 - Ne pas utiliser le réfrigérant de l'appareil pour faire le vide d'air des tuyaux de réfrigérant.
 - Après avoir utilisé les vannes, resserrer leurs capuchons au couple correct : 20 à 25 N·m, 14 à 18 ft·lbs (200 à 250 kgf·cm).

Si les capuchons sont mal replacés ou resserrés, une fuite de réfrigérant peut se produire. Veiller également à ne pas endommager l'intérieur des capuchons des vannes car leur étanchéité empêche les fuites de réfrigérant.
- ⑤ Appliquer un agent d'étanchéité sur les extrémités de l'isolation thermique autour des sections de raccordement des tuyaux afin d'empêcher l'eau de pénétrer dans l'isolation thermique.

4.4. Test d'étanchéité des tuyaux de réfrigérant (Fig. 4-4)

- (1) Connecter les outils de test.
 - Vérifier que les vannes d'arrêt Ⓐ et Ⓑ sont fermées et ne pas les ouvrir.
 - Ajouter de la pression dans les tuyaux de réfrigérant par l'orifice de service Ⓒ de la vanne d'arrêt de liquide Ⓑ.
- (2) Ne pas ajouter en une seule fois de pression à la pression spécifiée mais progressivement.
 - ① Pressuriser jusqu'à 0,5 MPa (5 kgf/cm²G), attendre cinq minutes et vérifier que la pression ne diminue pas.
 - ② Pressuriser jusqu'à 1,5 MPa (15 kgf/cm²G), attendre cinq minutes et vérifier que la pression ne diminue pas.
 - ③ Pressuriser jusqu'à 4,15 MPa (41,5 kgf/cm²G), puis mesurer la température ambiante et la pression du réfrigérant.
- (3) Si la pression spécifiée se maintient pendant environ une journée sans diminuer, les tuyaux ne présentent pas de fuite.
 - Si la température ambiante varie de 1 °C, la pression varie d'environ 0,01 MPa (0,1 kgf/cm²G). Apporter les corrections nécessaires.
- (4) Si la pression diminue à l'étape (2) ou (3), il y a une fuite de gaz. Rechercher l'origine de la fuite de gaz.

4.5. Comment ouvrir la vanne d'arrêt

- (1) Côté gaz (Fig. 4-5)
 - ① Retirez le bouchon, et tournez la tige de soupape à fond dans le sens antihoraire avec une clé hexagonale de 4 mm. Arrêtez de tourner quand elle frappe la retenue. (ø15,88, 5/8 inch: env. 11 tours)
 - ② Vérifier que la vanne d'arrêt est complètement ouverte et tourner le capuchon pour le ramener sur sa position d'origine.
- (2) Côté liquide (Fig. 4-6)
 - ① Retirez le bouchon, et tournez la tige de soupape à fond dans le sens antihoraire avec une clé hexagonale de 4 mm. Arrêtez de tourner quand elle frappe la retenue. (ø6,35, 1/4 inch: env. 4,5 tours) (ø9,52, 3/8 inch: env. 10 tours)
 - ② Vérifier que la vanne d'arrêt est complètement ouverte et tourner le capuchon pour le ramener sur sa position d'origine.

Les tuyaux de réfrigérant sont entourés d'une couche de protection

- Les tuyaux peuvent être entourés, après ou avant avoir été raccordés, d'une couche de protection allant jusqu'à ø90 mm, 3-35/64 inch. Découper la rondelle défonceuse du cache-tuyaux en suivant la rainure et envelopper les tuyaux.

Orifice d'entrée du tuyau

- Appliquer du mastic ou un agent d'étanchéité sur l'entrée des tuyaux pour éviter tout espace. (Si les espaces ne sont pas supprimés, l'appareil risque de fonctionner bruyamment ou d'être endommagé à cause d'une infiltration d'eau et de poussières).

Précautions à prendre lors de l'utilisation de la soupape de charge (Fig. 4-7)

Ne serrez pas trop l'ouverture de service au moment de l'installer, car vous pourriez déformer le corps de la soupape et des fuites pourraient se produire.

Après avoir posé la section Ⓑ dans la direction désirée, tournez la section Ⓐ uniquement et serrez-la.

Ne serrez pas davantage les sections Ⓐ et Ⓑ l'une contre l'autre après avoir serré la section Ⓐ.

⚠ Avertissement:

Lors de l'ouverture ou de la fermeture de la vanne sous des températures de congélation, le réfrigérant peut jaillir de l'espace entre la tige de vanne et le corps de vanne et provoquer des blessures.

4. Installation de la tuyauterie du réfrigérant

4.6. Ajout de produit réfrigérant

- Recharger l'appareil en gaz réfrigérant R410A en fonction des longueurs de tuyau autorisées dans le tableau ci-dessous.
- Une charge supplémentaire n'est pas nécessaire si la longueur du tuyau ne dépasse pas 30 m, 100 ft pour HA24-HA36 raccordé à l'appareil intérieur A-COIL (PAA-A24, 30, 36).

* Une fois l'appareil arrêté, le charger de réfrigérant supplémentaire par la vanne d'arrêt de liquide après avoir vidé les extensions de tuyaux et l'appareil intérieur. Lors de l'utilisation de l'appareil, ajouter du réfrigérant par le clapet de non-retour du gaz à l'aide d'un chargeur de sécurité. Ne pas ajouter de réfrigérant liquide directement par le clapet de non-retour.

* Une fois l'appareil chargé de réfrigérant, noter la quantité de réfrigérant ajouté sur l'étiquette de service (collée sur l'appareil).

Pour plus d'informations, se reporter à la section "1.5. Utilisation de climatiseurs utilisant le réfrigérant R410A".

- L'installation de plusieurs appareils doit se faire avec précaution. Le raccordement à un appareil intérieur défaillant peut entraîner une pression anormalement élevée et altérer sérieusement les performances de l'appareil.

Modèle	Longueur de tuyau max.	Différence de hauteur max.	Quantité de charge de réfrigérant ajouté (kg/oz) *2																							
			21 m	24 m	27 m	30 m	34 m	37 m	40 m	43 m	46 m	49 m	50 m	52 m	55 m	58 m	61 m	64 m	67 m	70 m	73 m	75 m				
			70 ft	80 ft	90 ft	100 ft	110 ft	120 ft	130 ft	140 ft	150 ft	160 ft	165 ft	170 ft	180 ft	190 ft	200 ft	210 ft	220 ft	230 ft	240 ft	245 ft				
HA24	50 m, 165 ft *1	30 m, 100 ft	0	0,2 kg 7 oz	0,4 kg 14 oz	0,6 kg 21 oz	0,8 kg 28 oz	1,0 kg 35 oz	1,2 kg 42 oz	1,4 kg 49 oz	1,6 kg 56 oz	1,8 kg 63 oz	1,9 kg 67 oz	-	-	-	-	-	-	-	-	-				
HA30, 36	75 m, 245 ft *1	30 m, 100 ft	0	0	0	0	0,2 kg 7 oz	0,4 kg 14 oz	0,5 kg 18 oz	0,7 kg 25 oz	0,9 kg 32 oz	1,0 kg 35 oz	1,1 kg 39 oz	1,2 kg 42 oz	1,4 kg 49 oz	1,4 kg 49 oz	1,4 kg 49 oz	1,4 kg 49 oz	1,4 kg 49 oz	1,4 kg 49 oz	1,4 kg 49 oz	1,4 kg 49 oz	1,4 kg 49 oz			
HA42	75 m, 245 ft	30 m, 100 ft	0	0	0	0	0,2 kg 7 oz	0,4 kg 14 oz	0,5 kg 18 oz	0,7 kg 25 oz	0,9 kg 32 oz	1,0 kg 35 oz	1,1 kg 39 oz	1,2 kg 42 oz	1,4 kg 49 oz	1,5 kg 53 oz	1,7 kg 60 oz	1,9 kg 67 oz	2,0 kg 71 oz	2,2 kg 78 oz	2,3 kg 81 oz	2,4 kg 85 oz	2,4 kg 85 oz			

*1. Si l'appareil extérieur est raccordé à l'appareil intérieur A-COIL (PAA-A24, 30, 36), la longueur de la tuyauterie est "Max. 30 m, 100 ft".

*2. Ce tableau des réfrigérants supplémentaire n'est utilisé que s'il est raccordé à un appareil intérieur autre qu'une unité intérieure A-COIL (PAA-A24, 30, 36). Une charge supplémentaire n'est pas nécessaire si la longueur du tuyau ne dépasse pas 30 m, 100 ft pour HA24-HA36 raccordé à l'appareil intérieur A-COIL (PAA-A24, 30, 36).

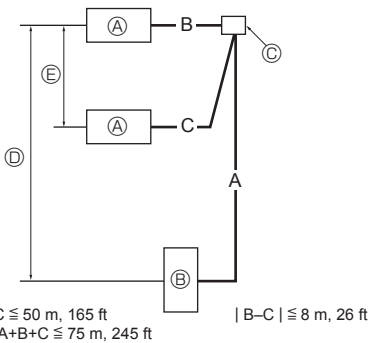


Fig. 4-8

4.7. Pour une double combinaison

La limite de la longueur des tuyaux de réfrigérant ainsi que la différence de hauteur sont indiquées sur la figure. (Fig. 4-8)

- Ⓐ Appareil intérieur
- Ⓑ Appareil extérieur
- Ⓒ Tuyau à distribution multiple (facultatif)
- Ⓓ Différence de hauteur (appareil intérieur - appareil extérieur) Max. 30 m, 100 ft
- Ⓔ Différence de hauteur (appareil intérieur - appareil intérieur) Max. 1 m, 3 ft

A : Tuyauterie principale

B, C : Tuyaux de dérivation max. 20 m, 65 ft

5. Mise en place du tuyau d'écoulement

Raccordement du tuyau d'écoulement de l'appareil extérieur

Lorsqu'un tuyau d'écoulement s'avère nécessaire, utiliser la douille de drainage ou la cuvette de drainage (en option).

Douille de drainage *	PAC-SG61DS-E	
	HA24	PAC-SG64DP-E
Cuvette de drainage *	HA30/36/42	PAC-SH97DP-E

* Ne pas utiliser le tuyau d'écoulement dans les climats froids car il pourrait geler.

6. Installations électriques

6.1. Appareil extérieur (Fig. 6-1, Fig. 6-2)

- ① Retirer le panneau de service.
- ② Effectuer le câblage conformément aux figures 6-1 et 6-2.

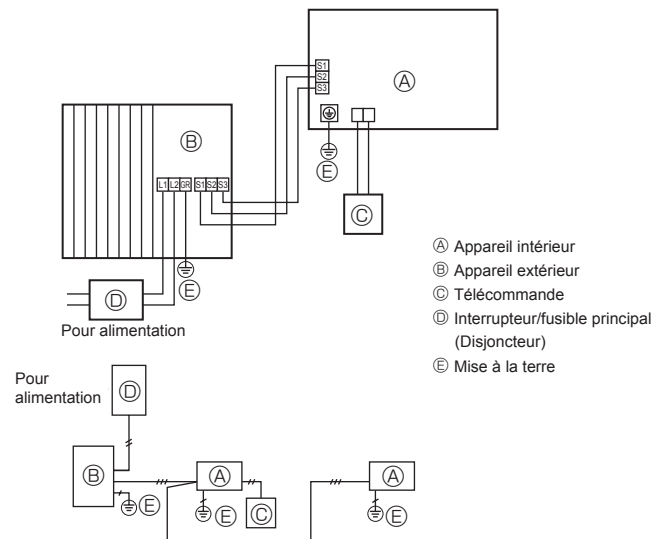


Fig. 6-1

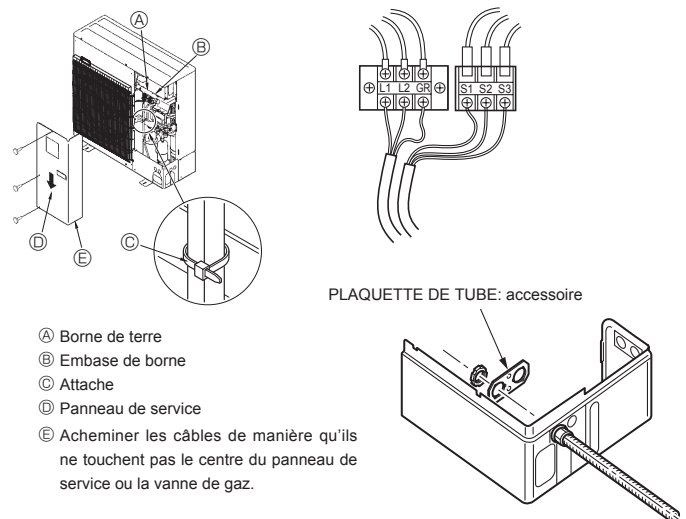


Fig. 6-2

6. Installations électriques

6.2. Câblage des champs électriques

Modèle de l'appareil extérieur		HA24	HA30	HA36	HA42
Appareil extérieur alimentation		Monophasé, 208/230 V, 60 Hz	Monophasé, 208/230 V, 60 Hz	Monophasé, 208/230 V, 60 Hz	Monophasé, 208/230 V, 60 Hz
Taille du disjoncteur		*4 25 A	35 A	35 A	40 A
Courant admissible minimum du circuit		17 A	24 A	26 A	36 A
Valeur nominale maximum du dispositif de protection contre les surintensités		27 A	40 A	42 A	60 A
Câblage No du câble x taille	Appareil extérieur alimentation	2 x Min. AWG 12	2 x Min. AWG 10	2 x Min. AWG 10	2 x Min. AWG 8
	Mise à la terre de l'alimentation de l'appareil extérieur	1 x Min. AWG 12	1 x Min. AWG 10	1 x Min. AWG 10	1 x Min. AWG 8
Tension du circuit	Appareil intérieur-appareil extérieur	*1	3 x AWG 14 (polar)	3 x AWG 14 (polar)	3 x AWG 14 (polar)
	Mise à la terre de l'appareil intérieur	*1	1 x Min. AWG 14	1 x Min. AWG 14	1 x Min. AWG 14
	Raccordement de la commande à distance-appareil intérieur	*2	2 x AWG 22 (Non-polar)	2 x AWG 22 (Non-polar)	2 x AWG 22 (Non-polar)
	Appareil extérieur L1-L2	*3	208/230 VCA	208/230 VCA	208/230 VCA
	Appareil intérieur-appareil extérieur S1-S2	*3	208/230 VCA	208/230 VCA	208/230 VCA
	Appareil intérieur-appareil extérieur S2-S3	*3	24 VCC	24 VCC	24 VCC
	Raccordement de la commande à distance-appareil intérieur	*3	12 VCC	12 VCC	12 VCC

*1. 45 m, 147 ft max.

En cas d'utilisation de 2,5 mm², longueur maxi. de 50 m, 164 ft

En cas d'utilisation de 2,5 mm² et S3 séparé, longueur maxi. de 80 m, 262 ft

*2. Un câble de 10 m, 30 ft est fixé à la télécommande. Max. 1500 ft

*3. Les chiffres ne s'appliquent PAS toujours à la mise à la terre.

La borne S3 présente une différence de 24 VCC par rapport à la borne S2. Les bornes S3 et S1 ne sont pas isolées électriquement par le transformateur ou tout autre appareil.

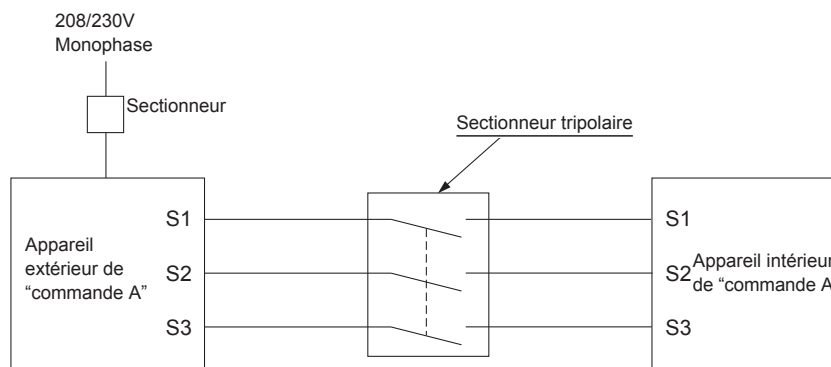
*4. Veuillez respecter les réglementations nationales, de l'état ou locales applicables pour prévenir les fuites/chocs électriques potentiels. Ou installez un disjoncteur de fuite à la terre pour la prévention des fuites et des chocs électriques.

Remarques: 1. La taille des fils doit être conforme aux réglementations nationales et locales pertinentes.

2. Utiliser des fils d'alimentation en cuivre.

3. Utiliser des fils d'une intensité nominale de 600V ou plus pour les câbles d'alimentation et les câbles de raccordement de l'appareil intérieur/l'appareil extérieur.

4. Installer un câble de terre plus long que les autres câbles.



⚠ Avertissement:

S'il s'agit d'un câblage de commande A, un risque de haute tension existe sur la borne S3 en raison d'une conception de circuit électrique dépourvue d'un isolant électrique entre la ligne de commande et la ligne de signal de communication. Par conséquent, mettre l'alimentation principale hors tension lors de l'entretien. Veiller également à ne pas toucher les bornes S1, S2 et S3 lorsque l'alimentation est sous tension. S'il faut placer un sectionneur entre les appareils extérieur et intérieur, en utiliser un de type tripolaire.

⚠ Avertissement:

- Mettez l'alimentation principale sous tension lorsque la température ambiante est supérieure ou égale à -20°C, -4°F.
- Par température inférieure à -20°C, -4°F, 4 heures de veille minimum avant fonctionnement sont nécessaires pour la montée en température des composants électriques.

Ne jamais effectuer de jonction du câble d'alimentation ou du câble de raccordement intérieur-extérieur car cela peut entraîner une surchauffe, un incendie ou un raccordement défaillant.

7. Marche d'essai

7.1. Avant la marche d'essai

- ▶ Lorsque l'installation, le tuyautage et le câblage des appareils intérieur et extérieur sont terminés, vérifier l'absence de fuites de réfrigérant, la fixation des câbles d'alimentation et de commande, l'absence d'erreur de polarité et contrôler qu'aucune phase de l'alimentation n'est déconnectée.
- ▶ Utiliser un mégohm-mètre de 500V pour s'assurer que la résistance entre les terminaux d'alimentation électrique et la terre soit au moins de 1 MΩ.
- ▶ Ne pas effectuer ce test sur les terminaux des câbles de contrôle (circuit à basse tension).

⚠ **Avertissement:**

Ne pas utiliser le climatiseur si la résistance de l'isolation est inférieure à 1 MΩ.

Résistance de l'isolation

Après l'installation ou après la coupure prolongée de la source d'alimentation, la résistance de l'isolation chutera en deçà d'1 MΩ en raison de l'accumulation de réfrigérant dans le compresseur. Il ne s'agit pas d'un dysfonctionnement. Respectez les procédures suivantes.

1. Retirer les câbles du compresseur et mesurer la résistance de l'isolation du compresseur.
2. Si la résistance de l'isolation est inférieure à 1 MΩ, le compresseur est défaillant ou du réfrigérant s'est accumulé dans le compresseur.
3. Après avoir connecté les câbles au compresseur, celui-ci commence à chauffer dès qu'il est sous tension. Après avoir mis sous tension le compresseur pendant les durées indiquées ci-dessous, mesurer de nouveau la résistance de l'isolation.
 - La résistance de l'isolation chute en raison de l'accumulation de réfrigérant dans le compresseur. La résistance dépassera 1 MΩ après que le compresseur a chauffé pendant deux ou trois heures.
 - (Le temps mis par le compresseur pour chauffer varie selon les conditions atmosphériques et l'accumulation de réfrigérant).

- Pour faire fonctionner le compresseur dans lequel s'est accumulé du réfrigérant, il est nécessaire de le faire chauffer pendant au moins 12 heures afin d'éviter toute défaillance.

4. Si la résistance de l'isolation dépasse 1 MΩ, le compresseur n'est pas défectueux.

⚠ **Précaution:**

- **Le compresseur fonctionnera uniquement si les connexions des phases de l'alimentation électrique sont correctes.**
- **Mettez l'appareil sous tension au moins 12 heures avant de le faire fonctionner.**
- La mise en marche de l'appareil immédiatement après sa mise sous tension pourrait provoquer de sérieux dégâts aux éléments internes. Ne mettez pas l'appareil hors tension pendant la saison de fonctionnement.

▶ **Les points suivants doivent être contrôlés également.**

- L'appareil extérieur n'est pas défectueux. Les témoins 1 et 2 (LED1 et LED2) sur la carte de commande de l'appareil extérieur clignotent lorsque celui-ci est défectueux.
- Les vannes d'arrêt de liquide et de gaz sont complètement ouvertes.
- Une feuille protectrice recouvre la surface du panneau des commutateurs DIP sur la carte de commande de l'appareil extérieur. Retirer la feuille protectrice pour utiliser aisément les commutateurs DIP.
- Vérifier que tous les commutateurs DIP SW5 de changement de fonction sur la carte de commande de l'appareil extérieur sont réglés sur OFF. Si tous les commutateurs SW5 ne sont pas désactivés, enregistrer les paramètres, puis désactiver tous les commutateurs. Commencer à récupérer le réfrigérant. Une fois l'appareil installé à son nouvel emplacement et la marche d'essai effectuée, régler les commutateurs SW5 sur les paramètres précédemment définis.

7.2. Marche d'essai

7.2.1. Utilisation de SW4 dans l'appareil extérieur

SW4-1	ON	Fonctionnement du rafraîchissement
SW4-2	OFF	
SW4-1	ON	Fonctionnement du chauffage
SW4-2	ON	

* Après avoir effectué l'essai de fonctionnement, placer SW 4-1 sur OFF.

- Une fois sous tension, un cliquetis provenant de l'intérieur de l'appareil extérieur se fait entendre. Le détendeur électronique s'ouvre et se ferme. L'appareil n'est pas défectueux.
- Quelques secondes après le démarrage du compresseur, un bruit métallique provenant de l'intérieur de l'appareil extérieur peut retentir. Le bruit provient de la valve de contrôle et s'explique par une différence de pression minimale dans les tuyaux. L'appareil n'est pas défectueux.

Le mode d'essai ne peut pas être modifié via le commutateur DIP SW4-2 lors de la marche d'essai. (Pour ce faire, arrêter l'essai via le commutateur DIP SW4-1. Une fois le mode modifié, reprendre l'essai via le commutateur SW4-1.)

7.2.2. Utilisation de la télécommande

Reportez-vous au manuel d'installation de l'appareil intérieur.

Remarque : Parfois, la fumée pouvant être générée par l'opération de dégivrage peut ressembler à de la fumée sortant de l'appareil extérieur.

8. Fonctions spéciales

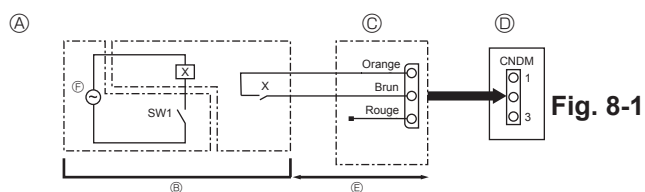


Fig. 8-1

- Ⓐ Exemple de diagramme de circuit (mode à faible bruit)
- Ⓑ Disposition sur site
- Ⓒ Adaptateur d'entrée externe (PAC-SC36NA-E)
- X: Relais
- Ⓓ Carte de commande de l'appareil extérieur
- Ⓔ Max. 10 m, 33 ft
- Ⓕ Alimentation pour le relais

8.1. Mode à faible bruit (modification sur site) (Fig. 8-1)

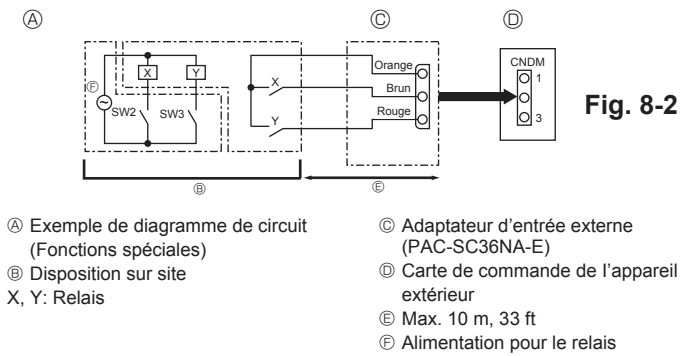
En apportant la modification suivante, le bruit de fonctionnement de l'appareil extérieur peut être réduit d'environ 3 à 4 dB.

Le mode à faible bruit est activé lorsqu'un temporisateur disponible dans le commerce ou l'entrée par contact d'un commutateur MARCHE/ARRET est ajouté au connecteur CNDM (option) sur la carte de commande de l'appareil extérieur.

- La capacité dépend de la température et des conditions extérieures, etc.

- ① Etablir le circuit comme illustré lors de l'utilisation de l'adaptateur d'entrée externe (PAC-SC36NA-E). (Option)
- ② SW7-1 (Carte de commande de l'appareil extérieur) : OFF (Fonctionnement du HA24)
- ③ SW1 activé : Mode à faible bruit
SW1 désactivé : Fonctionnement normal

8. Fonctions spéciales



8.2. Fonctions spéciales (modification sur site) (Fig. 8-2)

En apportant les modifications suivantes, la consommation électrique peut être réduite de 0-100 % par rapport à la consommation normale.

Cette fonction spéciale sera activée lorsqu'une minuterie disponible dans le commerce ou l'entrée par contact d'un commutateur ON/OFF (marche/arrêt) sera ajoutée au connecteur CNDM (en option) sur le panneau du contrôleur de l'appareil extérieur.

- ① Etablir le circuit comme illustré lors de l'utilisation de l'adaptateur d'entrée externe (PAC-SC36NA-E). (Option)
- ② En réglant SW7-1 sur ON sur le panneau de commande de l'appareil extérieur, il est possible de limiter la consommation d'énergie (comparée à une consommation normale) comme illustré ci-après.

	SW7-1	SW2	SW3	Consommation d'énergie
Fonction de demande	ON	OFF	OFF	100%
		ON	OFF	75%
		ON	ON	50%
		OFF	ON	0% (Arrêt)

8.3. Récupération du réfrigérant (Aspiration)

Effectuer les opérations suivantes pour récupérer le réfrigérant en cas de déplacement des appareils intérieur ou extérieur.

- ① Mettre sous tension (coupe-circuit).
 - * Lors de la mise sous tension, vérifier que "CENTRALLY CONTROLLED" ne s'affiche pas sur la télécommande. Si "CENTRALLY CONTROLLED" s'affiche, la récupération de réfrigérant ne peut pas s'effectuer normalement.
 - * Le démarrage de la communication interne-externe prend environ 3 minutes après la mise sous tension (coupe-circuit). Démarrer la purge 3 à 4 minutes après la mise sous tension (coupe-circuit).
- ② Une fois la vanne d'arrêt de liquide fermée, activer le commutateur SWP sur la carte de commande de l'appareil extérieur. Le compresseur (appareil extérieur) et les ventilateurs (appareils intérieur et extérieur) s'enclenchent et la récupération du réfrigérant commence. Les témoins DEL 1 et 2 de la carte de commande de l'appareil extérieur s'allument.
 - * N'activer que le commutateur SWP (type bouton-poussoir) si l'appareil est arrêté. Toutefois, la récupération de réfrigérant ne peut pas s'effectuer même si l'appareil est arrêté et le commutateur SWP activé moins de 3 minutes après l'arrêt du compresseur. Attendre 3 minutes après l'arrêt du compresseur et activer de nouveau le commutateur SWP.
- ③ Étant donné que l'appareil s'arrête automatiquement après 2 à 3 minutes lorsque la collecte du réfrigérant est terminée (DEL1 éteinte, DEL2 allumée), veiller à fermer rapidement le robinet d'arrêt du gaz. Si la DEL1 est allumée et la DEL2 éteinte et que l'appareil extérieur est arrêté, la collecte du réfrigérant ne s'est pas effectuée correctement. Ouvrir complètement le robinet d'arrêt du liquide puis attendre 3 minutes avant de répéter l'étape ②.
 - * Si la collecte de réfrigérant s'est effectuée normalement (DEL1 éteinte, DEL2 allumée), l'appareil restera à l'arrêt jusqu'à la remise sous tension.
- ④ Mettre hors tension (coupe-circuit).
 - * Attention : si le tuyau de rallonge est très long et contient une grande quantité de réfrigérant, il peut être impossible d'effectuer une purge. Lors de l'opération d'évacuation, s'assurer que la basse pression est proche de 0 MPa (jauge).

⚠ Avertissement:

Pendant la purge du réfrigérant, arrêter le compresseur avant de débrancher les tuyaux de réfrigérant. Le compresseur peut éclater si de l'air, etc. pénètre à l'intérieur.

9. Contrôle du système (Fig. 9-1)

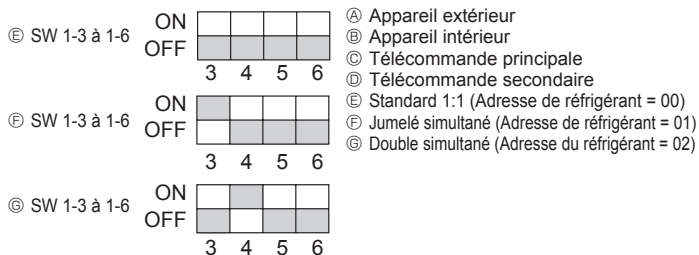


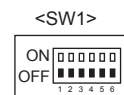
Fig. 9-1

- * Régler l'adresse de réfrigérant avec le commutateur DIP de l'appareil extérieur.
- ① Câblage depuis la télécommande
Ce fil se raccorde à TB5 (bornier de la télécommande) de l'appareil intérieur (non polaire).
- ② Lors de l'utilisation d'un groupe à système de réfrigérant différent
Il est possible de contrôler un maximum de 16 systèmes de réfrigérant comme un groupe unitaire avec la télécommande MA plate.

Remarque:

Il n'est pas nécessaire d'effectuer de câblage ② dans les systèmes de réfrigération simples (jumelé).

SW1
Tableau des fonctions



	Fonction	Fonctionnement selon le réglage du commutateur	
		ON	OFF
R é g l a - g e s des fonctions du SW1	1 Dégivrage obligatoire	Marche	Normal
	2 Historique des erreurs effacé	Effacer	Normal
	3 Réglage des adresses du système de réfrigérant	Réglages des adresses des appareils extérieurs de 0 à 15	
	4 adresses du système de réfrigérant		
	5 système de réfrigérant		
	6 réfrigérant		

Contenido

1. Medidas de Seguridad	1	6. Trabajo eléctrico	8
2. Lugar en que se instalará	2	7. Prueba de funcionamiento	10
3. Instalación de la unidad exterior	5	8. Funciones especiales	10
4. Instalación de los tubos del refrigerante	6	9. Sistema de control (Fig. 9-1)	11
5. Tubería de drenaje	8		

1. Medidas de Seguridad

- ▶ Antes de instalar la unidad, asegúrese de haber leído el capítulo de “Medidas de seguridad”.
- ▶ Antes de conectar el sistema, informe al servicio de suministro o pídalo permiso para efectuar la conexión.

⚠ Atención:

Describe las precauciones que deben tenerse en cuenta para evitar el riesgo de lesiones o muerte del usuario.

⚠ Cuidado:

Describe las precauciones que deben tenerse en cuenta para evitar daños en la unidad.

⚠ Atención:

- El usuario no debe instalar la unidad. La instalación del aire acondicionado debe correr a cargo del distribuidor o técnico autorizado. La instalación incorrecta de la unidad puede provocar escapes de agua, descargas eléctricas o incendios.
- Para la instalación, siga las instrucciones del Manual de instalación y utilice las herramientas y piezas de fontanería específicamente diseñados para utilizar con el refrigerante R410A. El refrigerante R410A en el sistema de HFC puede asimilar una presión 1,6 veces superior a la de los refrigerantes convencionales. Si los accesorios de fontanería que se instalan no están fabricados para el refrigerante R410A, los tubos se pueden quemar y causar daños o lesiones. Además, pueden producirse escapes de agua, descargas eléctricas o incendios.
- Al instalar la unidad, utilice las herramientas y el equipo de protección apropiados por seguridad. El hecho de no hacerlo puede provocar lesiones.
- La unidad debe instalarse según las instrucciones para reducir posibles daños en caso de terremoto, huracán o vientos fuertes. Si no se instala correctamente, la unidad podría caerse y provocar daños o lesiones.
- La unidad debe instalarse firmemente sobre una estructura capaz de soportar su peso. Si la unidad se instala sobre una estructura inestable, podría caerse y provocar daños o lesiones.
- Si el equipo de aire acondicionado se instala en una sala pequeña deberán tomarse medidas para prevenir que la concentración de refrigerante exceda los límites de seguridad en caso de fugas. Pregunte a un distribuidor por las medidas adecuadas para evitar que la concentración exceda los límites. Si se produce una fuga de refrigerante que sobrepase los límites de concentración, la estancia en la sala puede ser peligrosa por falta de oxígeno.
- Si se produce una fuga de refrigerante durante el funcionamiento, ventile la sala. Si el refrigerante entra en contacto con una llama, se desprenderán gases nocivos.
- Todas las conexiones eléctricas deberán ser realizadas por un técnico cualificado según la normativa local y las instrucciones de este manual. Cada unidad debe tener su línea eléctrica y se deben usar disyuntores y un voltaje correcto. El uso de líneas eléctricas con una capacidad insuficiente o una conexión eléctrica incorrecta puede provocar descargas eléctricas o incendios.
- Utilice tubos de cobre fosforoso del tipo C1220 y tubos de aleación de cobre sin costuras para conectar los tubos del refrigerante. Si los tubos no se conectan correctamente, la unidad no estará bien puesta a tierra y puede provocar descargas eléctricas.

Después de terminar la instalación, explique las “Medidas de Seguridad”, funcionamiento y mantenimiento de la unidad al cliente según el Manual de instrucciones y realice una prueba para asegurarse de que funciona correctamente. Entregue una copia del Manual de instalación y del Manual de instrucciones al usuario. Estos manuales deben pasar a usuarios posteriores del equipo.

⏚ : Indica una pieza que debe estar conectada a tierra.

⚠ Atención:

Lea atentamente las etiquetas adheridas a la unidad principal.

- Utilice solo cables especificados para el cableado. Las conexiones del cableado se deben realizar con seguridad sin que se ejerza tensión en las conexiones de los terminales. Asimismo, no empalme nunca los cables al realizar el cableado (a menos que se indique lo contrario en este documento). El hecho de no seguir estas instrucciones puede provocar un sobrecalentamiento o un incendio.
- La cubierta del bloque de terminales de la unidad exterior tiene que estar bien sujeta. Si la cubierta no se instala correctamente y el polvo y la humedad entran en la unidad, se pueden producir una descarga eléctrica o un incendio.
- Cuando instale, mueva o revise el equipo de aire acondicionado, utilice solo el refrigerante indicado (R410A) para cargar los tubos del refrigerante. No lo mezcle con otro tipo de refrigerante y vacíe completamente de aire los tubos. Si el aire se mezcla con el refrigerante, podría producir una tensión anormalmente alta en el tubo del refrigerante y ocasionar una explosión u otros peligros. Usar un refrigerante distinto al indicado para el sistema provocará un fallo mecánico, un funcionamiento defectuoso del sistema o la avería de la unidad. En el peor de los casos, podría suponer un grave impedimento para garantizar la seguridad del producto.
- Utilice sólo accesorios autorizados por Mitsubishi Electric y pida a su distribuidor o a un técnico autorizado que se los instale. Si los accesorios no se instalan correctamente, pueden producirse escapes de agua, descargas eléctricas o incendios.
- No modifique la unidad. Para las reparaciones, acuda a su distribuidor. Si las modificaciones o las reparaciones no se realizan correctamente, pueden producirse escapes de agua, descargas eléctricas o incendios.
- El usuario nunca debe intentar reparar la unidad o moverla de sitio. Si la unidad no se instala correctamente, pueden producirse escapes de agua, descargas eléctricas o incendios. Si debe reparar o mover el equipo de aire acondicionado, acuda a su distribuidor o técnico autorizado.
- Tras haber realizado la instalación, compruebe si hay fugas de refrigerante. Si en caso de fuga el refrigerante entra en contacto con las llamas de un calentador o de un equipo de cocina portátil, se desprenderán gases nocivos.
- Al abrir o cerrar la válvula por debajo de las temperaturas de congelación, el refrigerante puede salir a chorros desde el espacio entre el vástago de la válvula y el cuerpo de la válvula y resultar en lesiones.

1.1. Cuestiones previas a la instalación

⚠ Cuidado:

- No utilice la unidad en un ambiente enrarecido. Este aire acondicionado no se puede instalar en áreas expuestas a vapor, aceite esencial (incluyendo el aceite para máquinas) o al humo sulfúrico, ni en áreas con alto contenido en sal, como playas, o en zonas donde la nieve pueda cubrir la unidad, ya que pueden reducir significativamente su rendimiento y dañar las piezas internas.
- No instale la unidad donde se puedan verter, producir, circular o acumular gases inflamables. Si se acumula gas inflamable en zonas próximas a la unidad, se podría producir un incendio o una explosión.
- La unidad exterior produce condensación cuando funciona como calefacción. Asegúrese de habilitar drenaje alrededor de la unidad exterior si la condensación puede provocar daños.

- Si instala la unidad en un hospital o en un centro de comunicaciones, recuerde que la unidad produce ruidos e interferencias electrónicas. Los conmutadores, aparatos domésticos, equipos médicos de alta frecuencia y las comunicaciones de radio pueden provocar un mal funcionamiento o la avería del equipo de aire acondicionado. El equipo de aire acondicionado también puede afectar los equipos médicos e interrumpir los cuidados médicos, así como los equipos de comunicación y dañar la calidad de la pantalla.

1.2. Cuestiones previas a la instalación (reubicación)

⚠ Cuidado:

- Extreme las precauciones al transportar o instalar las unidades. Se necesitan dos o más personas para llevar la unidad porque pesa 20 kg, 44 lbs o más. No la sujete por las bandas de embalaje. Utilice guantes protectores para sacar la unidad de la caja y para moverla, ya que se podría lastimar las manos con las aletas o con los bordes de alguna de las piezas.
- Guarde los embalajes en un lugar seguro. Los materiales de embalaje, como clavos y otras piezas de metal o de madera pueden producir pinchazos y otras lesiones.

- La base y los aditamentos de fijación de la unidad exterior deben comprobarse periódicamente para detectar posibles roturas, tuercas flojas o cualquier otro daño que hayan podido sufrir. Si no se solucionan esos problemas, la unidad podría caerse y causar daños o lesiones.
- No limpie con agua el equipo de aire acondicionado. Puede sufrir una descarga eléctrica.
- Apriete las tuercas de abocardado a los niveles recomendados mediante una llave dinamométrica. Si las aprieta demasiado, se pueden romper al cabo de un tiempo y producirse fugas de refrigerante.

1. Medidas de Seguridad

1.3. Antes de la instalación eléctrica

⚠ Cuidado:

- Asegúrese de instalar disyuntores. Si no se instalan, se podrían producir descargas eléctricas.
- Observe las correspondientes normas federales, estatales o locales para evitar posibles fugas/descargas eléctricas. También puede instalar un interruptor de falta de tierra para evitar fugas y descargas eléctricas.
- Use cables estándar de suficiente capacidad para las líneas eléctricas. Si no lo hace así, se podría producir un cortocircuito, un sobrecalentamiento o un incendio.
- Cuando instale las líneas eléctricas, los cables no deben tener corriente. Si las conexiones se aflojan, los cables se podrían cruzar o romper y se podría producir un incendio o un sobrecalentamiento.
- Asegúrese de instalar una toma de tierra. No conecte el cable de tierra a las tomas de tierra de las tuberías de gas o de agua, de postes de iluminación o de teléfono. Si la unidad no está bien conectada a la línea de tierra, se puede producir una descarga eléctrica.
- Utilice disyuntores (interruptor de falta de tierra, interruptor aislante (+fusible B) e interruptores en caja moldeada) con la potencia especificada. Si la potencia del interruptor es mayor que la especificada, puede ocurrir un incendio o una avería.

1.4. Antes de realizar las pruebas de funcionamiento

⚠ Cuidado:

- Conecte la corriente al menos 12 horas antes de que empiece a funcionar el equipo. Si se acciona inmediatamente después de haberlo conectado a la corriente, pueden producirse daños graves en las piezas internas. Mantenga la unidad conectada a la corriente durante la temporada de funcionamiento.
- Antes de que comience a funcionar el equipo, compruebe que todos los paneles y protectores están instalados correctamente. Las piezas giratorias, calientes o de alto voltaje pueden provocar lesiones.
- No toque ningún interruptor con las manos mojadas. Puede sufrir una descarga eléctrica.
- No toque la tubería del refrigerante sin guantes mientras durante el funcionamiento. La tubería del refrigerante está caliente o frío según las condiciones de la corriente de refrigerante. Si toca la tubería puede sufrir quemaduras por el calor o por el frío.
- Una vez deje de funcionar el aparato, espere cinco minutos antes de apagar el interruptor principal. De lo contrario, se puede producir un goteo de agua o una avería.

1.5. Utilización del refrigerante R410A para equipos de aire acondicionado

⚠ Cuidado:

- Utilice tubos de cobre fosforoso del tipo C1220 y tubos de aleación de cobre sin costuras para conectar los tubos del refrigerante. Asegúrese de que el interior de las tuberías está limpio y que no contienen ningún contaminante dañino como compuestos sulfúricos, oxidantes, impurezas o polvo. Utilice tuberías con el grosor especificado. (Consulte el punto 4.1.) Tenga en cuenta lo siguiente si reutiliza tuberías que contenían refrigerante R22.
- Sustituya las tuercas de abocardado existentes y vuelva a abocardar las secciones abocardadas.
- No use tuberías de poco grosor. (Consulte el punto 4.1.)
- Almacene las tuberías que se deban instalar en el interior y mantenga los orificios tapados hasta el momento de instalarlas. (Deje las juntas articuladas y otras piezas en sus embalajes.) Si el polvo, los restos o la humedad entran en las tuberías de refrigeración, se puede producir el deterioro del aceite o una avería en el aparato.
- Utilice aceite de éster, de éter o alquilbenceno (en pequeñas cantidades) para recubrir las secciones abocardadas. Si se mezcla aceite mineral con aceite de refrigeración se puede deteriorar el aceite.
- No utilice otro refrigerante que no sea R410A. Si utiliza otro refrigerante, el cloro provocará el deterioro del aceite.
- Utilice las siguientes herramientas especialmente diseñadas para usar con el refrigerante R410A. Se necesitan las siguientes herramientas para utilizar el refrigerante R410A. Si tiene alguna duda, consulte con su distribuidor más cercano.

Herramientas (para R410A)	
Manómetro	Abocardador
Manguera de carga	Ajustador del tamaño
Detector de fugas de gas	Adaptador de la bomba de vacío
Llave dinamométrica	Báscula electrónica de carga del refrigerante

2. Lugar en que se instalará

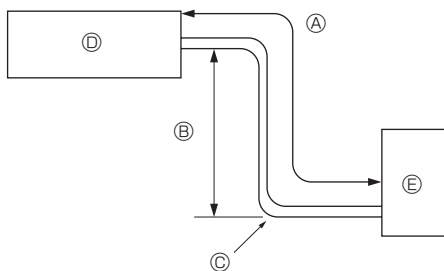


Fig. 2-1

■ HA24

■ HA30, HA36, HA42

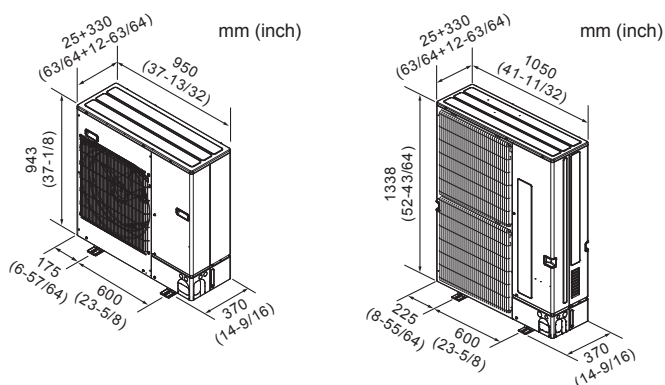


Fig. 2-2

2.1. Tubería de refrigerante (Fig. 2-1)

- ▶ Compruebe que la diferencia de altura entre las unidades interior y exterior, la longitud del tubo de refrigerante y la cantidad de codos en la tubería se encuentren dentro de los límites que se indican a continuación.

	Ⓐ Longitud de las tuberías (un sentido)	Ⓑ Diferencia de altura	Ⓒ Número de codos (un sentido)
HA24	Máx. 50 m, 165 ft *1	Máx. 30 m, 100 ft	Máx. 15
HA30, HA36, HA42	Máx. 75 m, 245 ft *1	Máx. 30 m, 100 ft	Máx. 15

*1. Si la unidad exterior está conectada a la unidad interior A-COIL (PAA-A24, 30, 36), la longitud de la tubería es "Máx. 30 m (100 ft)".

- Las limitaciones de diferencia de altura son obligatorias sin importar qué unidad, la interior o la exterior, está colocada más alta.
- Ⓐ Unidad interior
- Ⓑ Unidad exterior

2.2. Elección del lugar de instalación de la unidad exterior

- No instale la unidad en lugares expuestos directamente al sol o a otras fuentes de calor.
- Escoja un lugar donde el ruido de la unidad no moleste a los vecinos.
- Escoja un lugar donde sea fácil instalar el cableado y las tuberías y acceder a la fuente de alimentación y a la unidad exterior.
- No instale la unidad donde se puedan verter, producir, circular o acumular gases inflamables.
- Durante el funcionamiento, la unidad puede perder agua.
- Escoja un lugar nivelado que pueda soportar el peso y la vibración de la unidad.
- No instale la unidad en lugares donde la pueda cubrir la nieve. En zonas propensas a las nevadas intensas, se deben tomar medidas de precaución, como por ejemplo, situar la unidad elevada o instalar una protección en la entrada de aire para evitar que la nieve la obstruya o fluya directamente contra ésta. Esto reduce la corriente de aire e impide que la unidad funcione correctamente.
- No instale la unidad en lugares expuestos a aceite, vapor o humo sulfúrico.
- Utilice las asas de transporte de la unidad exterior para transportarla. Si transporta la unidad tomándola por la parte inferior se podría lesionar las manos o los dedos.

2.3. Dimensiones exteriores (Unidad exterior) (Fig. 2-2)

2. Lugar en que se instalará

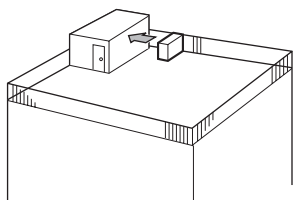


Fig. 2-3

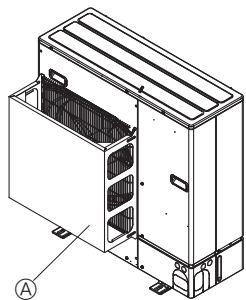


Fig. 2-4

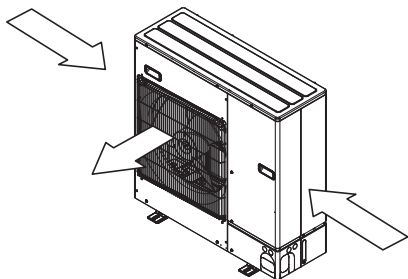


Fig. 2-5

2.4. Ventilación y espacio de servicio

2.4.1. Instalación en lugares expuestos al viento

Cuando instale una unidad en el tejado o en otros lugares desprotegidos del viento, la salida de aire de la unidad no debe quedar expuesta directamente al viento fuerte. Si el viento fuerte entra en la salida de aire puede impedir la circulación normal del aire y causar un mal funcionamiento.

A continuación se muestran tres ejemplos de precauciones a tomar contra el viento fuerte.

- ① Coloque la salida de aire de frente a la pared más próxima a una distancia de unos 50 cm, 19-11/16 inch de ella. (Fig. 2-3)
- ② Si la unidad está situada en un lugar expuesto a vientos fuertes como huracanes que puedan entrar en la salida de aire, coloque una guía de protección de aire opcional. (Fig. 2-4)
 - Ⓐ Guía de protección de aire
- ③ Coloque la unidad de manera que la salida de aire sopla en dirección perpendicular a la dirección estacional del viento, si la conoce. (Fig. 2-5)
 - Ⓑ Dirección del viento

2. Lugar en que se instalará

2.4.2. Cuando se instala una unidad exterior simple

Las dimensiones mínimas son las siguientes, excepto para máx. (dimensiones máximas), las cuales también están indicadas.

Las cifras que aparecen en paréntesis son para los modelos HA30, 36, 42.

Consulte los números correspondientes para cada caso.

① Obstáculos sólo en la parte trasera (Fig. 2-6)

② Obstáculos sólo en la parte trasera y superior (Fig. 2-7)

③ Obstáculos sólo en la parte trasera y los laterales (Fig. 2-8)

④ Obstáculos sólo en la parte delantera (Fig. 2-9)

* Si utiliza una guía para salida de aire opcional, el espacio libre para los modelos HA30, 36, 42 debe ser de 500 mm, 19-11/16 inch o más.

⑤ Obstáculos sólo en la parte delantera y trasera (Fig. 2-10)

* Si utiliza una guía para salida de aire opcional, el espacio libre para los modelos HA30, 36, 42 debe ser de 500 mm, 19-11/16 inch o más.

⑥ Obstáculos sólo en la parte trasera, los laterales y superior (Fig. 2-11)

• No utilice las guías para salida de aire opcionales para corriente de aire hacia arriba.

2.4.3. Cuando instale varias unidades exteriores

Deje 25 mm, 1 inch de holgura o más entre las unidades.

① Obstáculos sólo en la parte trasera (Fig. 2-12)

② Obstáculos sólo en la parte trasera y superior (Fig. 2-13)

• No se deben instalar más de tres unidades correlativas. Además, se debe dejar el espacio indicado.
• No utilice las guías para salida de aire opcionales para corriente de aire hacia arriba.

③ Obstáculos sólo en la parte delantera (Fig. 2-14)

* Si utiliza una guía para salida de aire opcional, el espacio libre para los modelos HA30, 36, 42 debe ser de 1000 mm, 39-3/8 inch o más.

④ Obstáculos sólo en la parte delantera y trasera (Fig. 2-15)

* Si utiliza una guía para salida de aire opcional, el espacio libre para los modelos HA30, 36, 42 debe ser de 1000 mm, 39-3/8 inch o más.

⑤ Disposición en paralelo de unidades simples (Fig. 2-16)

* Si utiliza una guía para salida de aire opcional instalada para que el aire salga hacia arriba, el espacio libre debe ser de 500 (1000) mm, 19-11/16 (39-3/8) inch o más.

⑥ Disposición en paralelo de varias unidades (Fig. 2-17)

* Si utiliza una guía para salida de aire opcional instalada para que el aire salga hacia arriba, el espacio libre debe ser de 1000 (1500) mm, 39-3/8 (59-1/16) inch o más.

⑦ Disposición de unidad apilada (Fig. 2-18)

• Se pueden apilar hasta dos unidades de altura.

• No se deben instalar más de dos unidades correlativas. Además, se debe dejar el espacio indicado.

mm [inch]

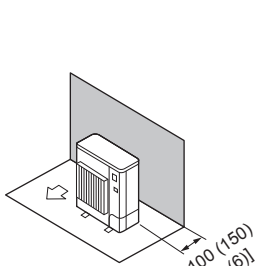


Fig. 2-6

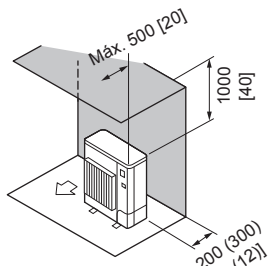


Fig. 2-7

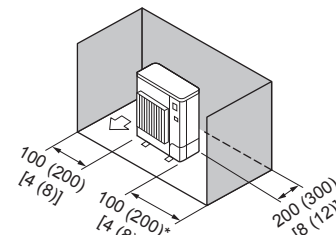


Fig. 2-8

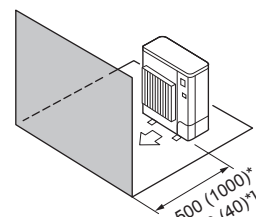


Fig. 2-9

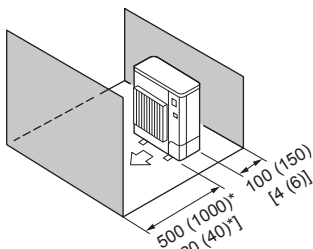


Fig. 2-10

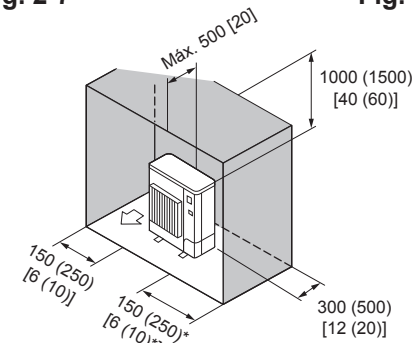


Fig. 2-11

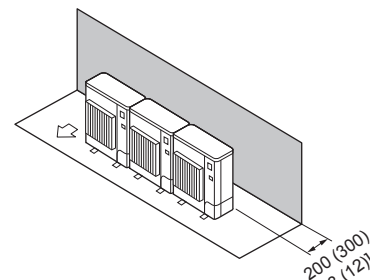


Fig. 2-12

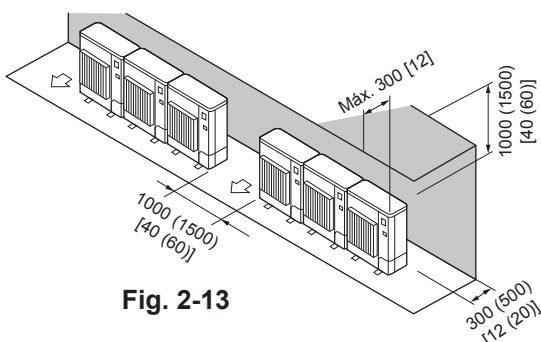


Fig. 2-13

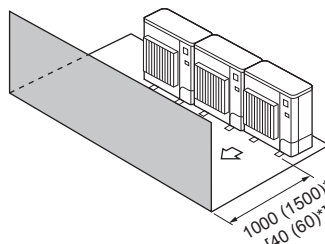


Fig. 2-14

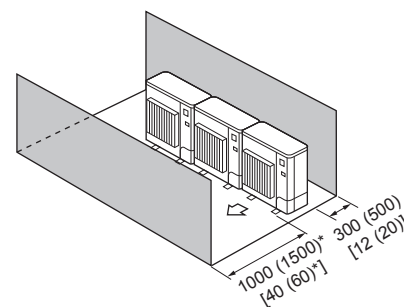


Fig. 2-15

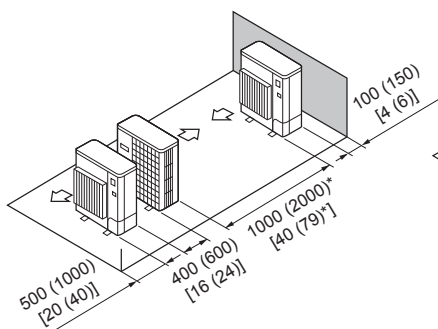


Fig. 2-16

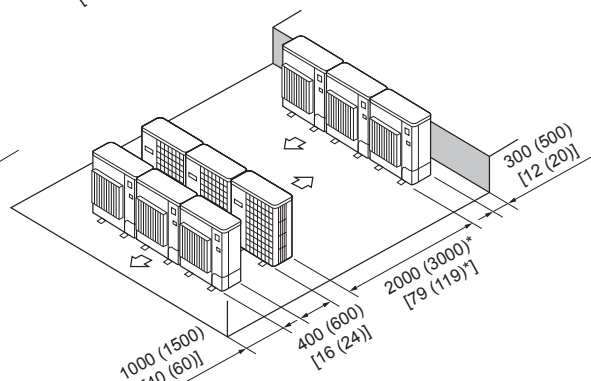


Fig. 2-17

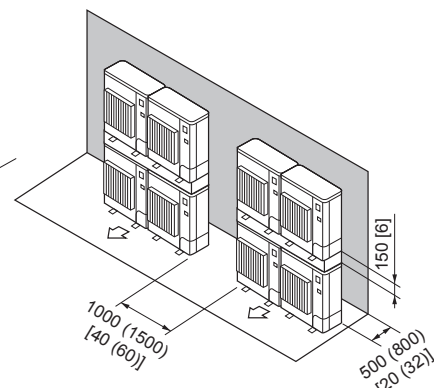
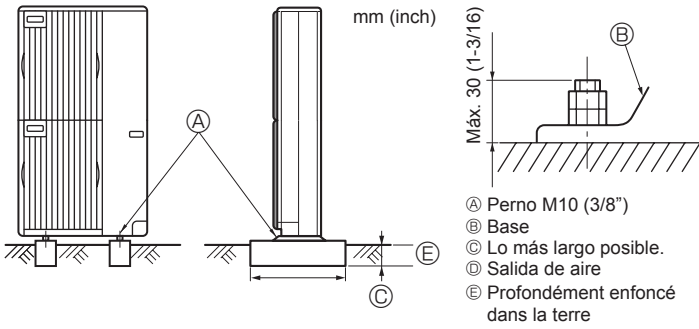


Fig. 2-18

3. Instalación de la unidad exterior



- Cerciórese de instalar la unidad en una superficie robusta y nivelada para evitar los ruidos de traqueteo durante la operación. (Fig. 3-1)

<Especificaciones de la cimentación>

Perno de cimentación	M10 (3/8")
Grosor del hormigón	120 mm, 4-23/32 inch
Longitud del perno	70 mm, 2-3/4 inch
Capacidad de soporte de peso	320 kg, 264 lbs

- Cerciórese de que la longitud del perno de cimentación esté dentro de 30 mm, 1-3/16 inch de la superficie inferior de la base.
- Asegure firmemente la base de la unidad con cuatro pernos de cimentación M10 en lugares robustos.

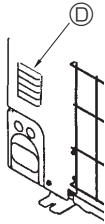
Instalación de la unidad exterior

- No obstruya la salida de aire. Si se obstruye la salida de aire, se puede dificultar el funcionamiento del aparato y puede causar una avería.
- Además de la base de la unidad, utilice los orificios de instalación situados en la parte trasera de la unidad para añadirle cables u otros elementos necesarios para instalar la unidad. Utilice tirafondos (ø5 × 15 mm, ø13/16 × 19/32 inch o menos) para instalar el equipo.

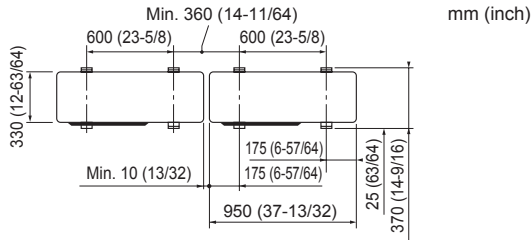
⚠ Atención:

- La unidad debe instalarse firmemente sobre una estructura capaz de soportar su peso. Si la unidad se instala sobre una estructura inestable, podría caerse y provocar daños o lesiones.
- La unidad debe instalarse según las instrucciones para reducir posibles daños en caso de terremoto, huracán o vientos fuertes. Si no se instala correctamente, la unidad podría caerse y provocar daños o lesiones.

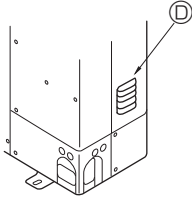
■ HA24



<Paso del perno de cimentación>



■ HA30, HA36, HA42



<Paso del perno de cimentación>

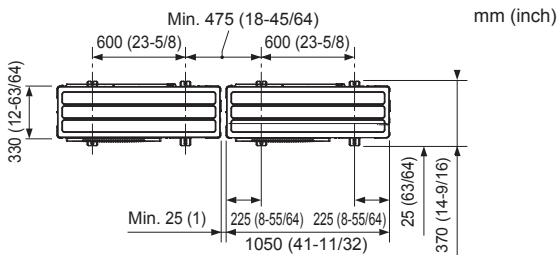


Fig. 3-1

4. Instalación de los tubos del refrigerante

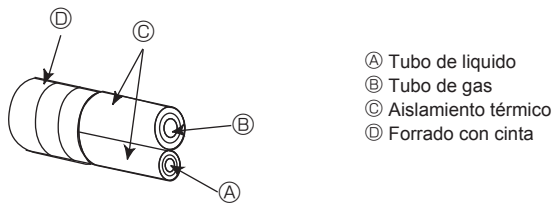
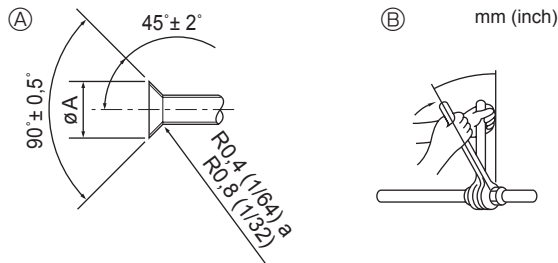


Fig. 4-1



- Ⓐ Dimensiones del corte abocinado
Ⓑ Torsión de apriete de la tuerca abocardada

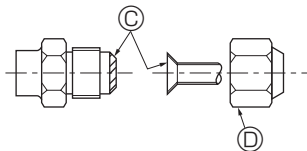


Fig. 4-2

Ⓐ (Fig. 4-1)

Tubo de cobre O.D.		Dimensiones de abocinado dimensiones ØA	
(mm)	(inch)	(mm)	(inch)
ø6,35	1/4"	8,7 - 9,1	11/32 - 23/64
ø9,52	3/8"	12,8 - 13,2	1/2 - 33/64
ø12,7	1/2"	16,2 - 16,6	41/64 - 21/32
ø15,88	5/8"	19,3 - 19,7	49/64 - 25/32

Ⓑ (Fig. 4-1)

Tubo de cobre O.D.		Tuerca de abocardado O.D.		Torsión de apriete	
(mm)	(inch)	(mm)	(inch)	(N·m)	(ft·lbs)
ø6,35	1/4"	17	43/64	14 - 18	10 - 13
ø9,52	3/8"	22	7/8	34 - 42	25 - 30
ø12,7	1/2"	26	1 - 3/64	49 - 61	35 - 44
ø15,88	5/8"	29	1 - 9/64	68 - 82	49 - 59

4.1. Precauciones a tomar en equipos que utilicen el refrigerante R410A

- Consulte la sección 1.5. para conocer otras precauciones que se deben seguir para los acondicionadores de aire que utilicen el refrigerante R410A.
- Utilice aceite de éster, de éter o alquilobenceno (en pequeñas cantidades) para recubrir las secciones abocardadas.
- Utilice tubos de cobre fosforoso del tipo C1220 y tubos de aleación de cobre sin costuras para conectar los tubos del refrigerante. Utilice tuberías para refrigerante del grosor especificado en la tabla siguiente. Asegúrese de que el interior de las tuberías está limpio y que no contienen ningún contaminante nocivo como compuestos sulfúricos, oxidantes, restos o polvo.

⚠ Atención:

Cuando instale, mueva o revise el equipo de aire acondicionado, utilice solo el refrigerante indicado (R410A) para cargar los tubos del refrigerante. No lo mezcle con otro tipo de refrigerante y vacíe completamente de aire los tubos. Si el aire se mezcla con el refrigerante, podría producir una tensión anormalmente alta en el tubo del refrigerante y ocasionar una explosión u otros peligros.

Usar un refrigerante distinto al indicado para el sistema provocará un fallo mecánico, un funcionamiento defectuoso del sistema o la avería de la unidad. En el peor de los casos, podría suponer un grave impedimento para garantizar la seguridad del producto.

Tubo de líquido	ø9,52 mm, 3/8 inch grosor 0,8 mm, 1/32 inch
Tubo de gas	ø15,88 mm, 5/8 inch grosor 1,0 mm, 3/64 inch

- No utilice tubos con un grosor menor del especificado a continuación.

4.2. Connecting pipes (Fig. 4-1, Fig. 4-2)

Si se utilizan tubos de cobre convencionales, aisle los tubos de gas y líquido separadamente con materiales aislantes (resistentes al calor hasta 100 °C, 212 °F o más, espesor de 12 mm, 1/2 inch o más). (Fig. 4-1)

- Las piezas interiores del tubo de drenaje tienen que estar envueltas en materiales aislantes de espuma de polietileno (gravedad específica de 0,03 y espesor de 9 mm, 23/64 inch o más).

[Fig. 4-2]

- Aplique una capa delgada de aceite refrigerante a la superficie tubo y de la junta de asiento antes de apretar la tuerca de abocardado. Ⓐ
- Utilice dos llaves de apriete para apretar las conexiones de los tubos. Ⓑ
- Utilice un detector de fugas o agua jabonosa para comprobar posibles fugas de gas una vez realizadas las conexiones.
- Aplique aceite refrigerante para máquinas en toda la superficie abocinada. Ⓒ
- Utilice las tuercas abocardadas para el siguiente tamaño de tubería. Ⓓ

Tubo de líquido	Tamaño de la tubería (mm, inch)	ø15,88, 5/8"
Tubo de gas	Tamaño de la tubería (mm, inch)	ø9,52, 3/8"

*: La tuerca abocardada se suministra como un accesorio de la unidad exterior. Utilícela siempre, ya que de lo contrario podría ocurrir una fuga de gas o incluso la extracción de una tubería.

- Cuando doble los tubos, tenga cuidado de no romperlos. Un radio de curvatura de 100 mm, 3-15/16 inch a 150 mm, 5-27/32 inch es suficiente.
- Asegúrese de que las tuberías no tocan el compresor. Podría producir ruidos o vibraciones extrañas.

① Las tuberías se deben conectar empezando por la unidad interior.

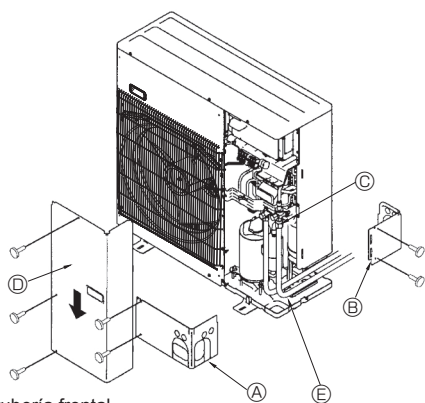
Las tuercas abocardadas se deben apretar con una llave dinamométrica.

② Caliente el tubo de líquido y el tubo de gas y aplique una fina capa de aceite de refrigeración (aplicado directamente).

⚠ Atención:

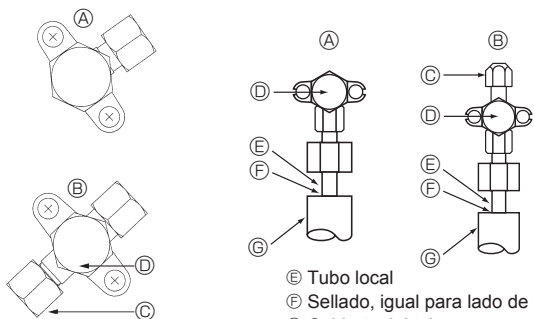
Al instalar la unidad, conecte firmemente las tuberías de refrigerante antes de poner en marcha el compresor.

4. Instalación de los tubos del refrigerante



- Ⓐ Cubierta de la tubería frontal
- Ⓑ Cubierta de la tubería
- Ⓒ Válvula de parada
- Ⓓ Panel de servicio
- Ⓔ Radio del codo: 100 mm, 3-15/16 inch-150 mm, 5-27/32 inch

Fig. 4-3



- Ⓐ Válvula de retención <Lado de gas>
- Ⓑ Válvula de retención <Lado de líquido>
- Ⓒ Puerto de servicio
- Ⓓ Sección Abierto/Cerrado
- Ⓔ Tubo local
- Ⓕ Sellado, igual para lado de gas
- Ⓖ Cubierta del tubo
- Ⓗ No utilice una llave aquí. Podría producirse una pérdida de refrigerante.
- Ⓘ Utilice dos llaves aquí.

Fig. 4-4

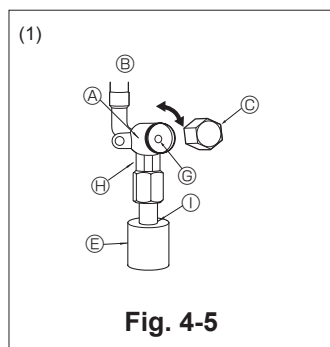


Fig. 4-5

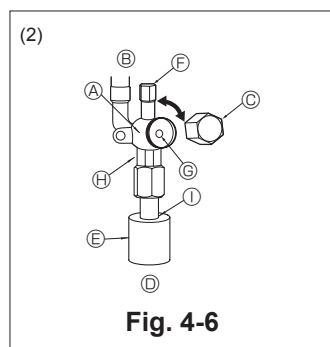
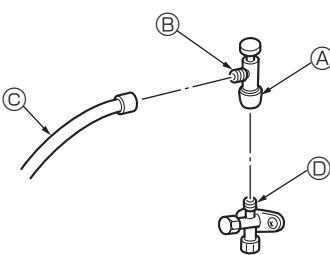


Fig. 4-6

- Ⓐ Cuerpo de la válvula
- Ⓑ Lado de la unidad
- Ⓒ Tapa
- Ⓓ Lado del tubo local
- Ⓔ Cubierta del tubo
- Ⓕ Puerto de servicio
- Ⓖ Vástago de la válvula
- Ⓗ Sección de llave doble (No utilice una llave en ninguna otra sección. De hacerlo podría provocar fugas de refrigerante).
- Ⓘ Sección de sellado (Selle el extremo del material termoaislante en la sección de conexión del tubo con cualquier material sellante disponible, de modo que el agua no se filtre a través del material termoaislante).



- * La figura de la izquierda no es más que un ejemplo. La forma de la válvula de parada, la posición del puerto de servicio, etc. pueden variar en función del modelo.
- * Gire únicamente la sección Ⓐ. (No siga apretando las secciones Ⓐ y Ⓑ juntas.)
- Ⓒ Manguera de carga
- Ⓓ Puerto de servicio

Fig. 4-7

4.3. Tubos de refrigerante (Fig. 4-3)

Tenga en cuenta la ubicación de la unidad interior cuando las longitudes de las tuberías sean inferiores a los valores indicados a continuación, ya que podrían producirse ruidos intermitentes durante el funcionamiento normal que serían perceptibles en entornos muy silenciosos.

- HA24/30/36: 16 ft. (5 m)
- HA42: 25 ft. (7.5 m)

Quite el panel de servicio Ⓓ (3 tornillos) y la cubierta de la tubería frontal Ⓐ (2 tornillos) y cubierta de la tubería posterior Ⓑ (2 tornillos: HA24) (4 tornillos: HA30, HA36, HA42).

- ① Realice las conexiones de los tubos de refrigerante de la unidad interior/exterior con la válvula de parada de la unidad exterior completamente cerrada.
- ② Purgue el aire del sistema por succión en la unidad interior y tubos de conexión.
- ③ Tras conectar las tuberías de refrigerante con la unidad interior, compruebe que no haya fugas de gas. (Consulte apartado 4.4. Prueba de fuga de gas del tubo de refrigerante.)
- ④ aspire las líneas de refrigerante a través del punto de reparaciones de la válvula de parada (tanto las de líquido como las de gas). Esta operación le permitirá conectar completamente las líneas refrigerantes de las unidades interiores y exteriores.
 - Si deja cerradas las válvulas de parada y pone en marcha la unidad, el compresor y la válvula de control sufrirán daños.
 - Utilice un detector de fugas o jabón y agua para detectar las fugas de gas en las juntas de las conexiones de los tubos de la unidad exterior.
 - No utilice el refrigerante desde la unidad para purgar el aire de las líneas de refrigerante.
 - Tras haber realizado los trabajos en las válvulas, ajuste las tuercas de las válvulas a la presión adecuada: 20 a 25 N·m, 14 a 18 ft·lbs (200 a 250 kgf·cm). Si no sustituye o aprieta bien las tuercas puede provocar una fuga de refrigerante. Además, evite dañar el interior de las válvulas ya que funcionan como selladoras para evitar fugas de refrigerante.
- ⑤ Utilice un sellador para proteger las conexiones de los tubos y los extremos del material aislante no se impregnen de agua.

4.4. Prueba de fuga de gas del tubo de refrigerante (Fig. 4-4)

- (1) Conecte las herramientas para pruebas.
 - Asegúrese de que las válvulas de parada Ⓐ Ⓑ están cerradas y no las abra.
 - Añada presión a las líneas de refrigerante a través del punto Ⓒ para reparaciones de válvula de parada de líquido Ⓖ.
- (2) No añada presión al nivel especificado de golpe; hágalo poco a poco.
 - ① Presurice a 0,5 MPa (5 kgf/cm²G), espere cinco minutos y compruebe que la presión no se ha reducido.
 - ② Presurice a 1,5 MPa (15 kgf/cm²G), espere cinco minutos y compruebe que la presión no se ha reducido.
 - ③ Presurice a 4,15 MPa (41,5 kgf/cm²G) y tome la temperatura ambiental y la presión del refrigerante.
- (3) Si la presión especificada se mantiene estable durante un día y no se reduce, las tuberías han pasado la prueba y no existe riesgo de fugas.
 - Si la temperatura ambiental cambia 1 °C, la presión variará unos 0,01 MPa (0,1 kgf/cm²G). Haga las correcciones necesarias.
- (4) Si la presión se reduce en los pasos (2) o (3), hay una fuga de gas. Busque el punto de fuga del gas.

4.5. Método de apertura de la válvula de retención

- (1) Lado del gas (Fig. 4-5)
 - ① Abra la tapa y gire la varilla de válvula hacia la izquierda hasta su tope, utilizando una llave hexagonal de 4 mm. Deje de girar cuando llega al tope. (∅15,88, 5/8 inch: Aproximadamente 11 revoluciones)
 - ② Compruebe que la válvula de parada esté completamente abierta y gire la tapa de nuevo a su posición original.
- (2) Lado del líquido (Fig. 4-6)
 - ① Abra la tapa y gire la varilla de válvula hacia la izquierda hasta su tope, utilizando una llave hexagonal de 4 mm. Deje de girar cuando llega al tope. (∅6,35, 1/4 inch: Aproximadamente 4,5 revoluciones) (∅9,52, 3/8 inch: Aproximadamente 10 revoluciones)
 - ② Compruebe que la válvula de parada esté completamente abierta y gire la tapa de nuevo a su posición original.

Las tuberías de refrigerante están envueltas con una protección

- Los tubos se pueden envolver para su protección hasta un diámetro de ∅90 mm, 3-35/64 inch antes de conectar los tubos. Corte la tapa del tubo siguiendo la guía y envuelva los tubos.

Hueco de entrada de la tubería

- Utilice masilla de minio o un sellador para sellar el extremo del tubo alrededor del tubo para que no queden espacios vacíos. (Si no se tapan los vacíos, se puede producir ruido o puede entrar agua o polvo y la unidad se podría averiar.)

Precauciones al utilizar la válvula de carga (Fig. 4-7)

No apriete demasiado el puerto de servicio cuando lo instale, de lo contrario, el núcleo de la válvula podría deformarse y quedar suelto, provocando fugas de gas. Tras situar la sección Ⓑ en la dirección deseada, gire únicamente la sección Ⓐ y apriétela.

No siga apretando las secciones Ⓐ y Ⓑ juntas tras apretar la sección Ⓐ.

⚠ **Atención:**

Al abrir o cerrar la válvula por debajo de las temperaturas de congelación, el refrigerante puede salir a chorros desde el espacio entre el vástago de la válvula y el cuerpo de la válvula y resultar en lesiones.

4. Instalación de los tubos del refrigerante

4.6. Añadido de refrigerante

- Cargue la unidad con refrigerante R410A adicional de acuerdo con las longitudes de tubería permitidas mostradas en la tabla siguiente.
- La carga adicional no es necesaria si la longitud de la tubería no supera los 30 m (100 ft) para HA24-HA36 conectados a la unidad interior A-COIL (PAA-A24, 30, 36).
- Con la unidad parada, cárguela con el refrigerante adicional a través de la válvula de parada de líquido después de haber aspirado los tubos y la unidad interior. Si la unidad está en marcha, añada refrigerante a la válvula de retención de gas con un cargador seguro. No añada refrigerante líquido directamente a la válvula de retención.

- Después de haber cargado la unidad con refrigerante, apunte la cantidad de refrigerante añadida en la etiqueta de mantenimiento (adjunta a la unidad). Para más información, consulte la sección "1.5. Utilización del refrigerante R410A para equipos de aire acondicionado".
- Tenga cuidado cuando instale varias unidades. Si conecta los tubos a una unidad interior incorrecta puede provocar una presión elevada anormal y ocasionar graves problemas al funcionamiento.

Modelo	Longitud máxima de la tubería	Diferencia máxima de altura	Cantidad de carga de refrigerante adicional (kg/oz) *2																			
			21 m	24 m	27 m	30 m	34 m	37 m	40 m	43 m	46 m	49 m	50 m	52 m	55 m	58 m	61 m	64 m	67 m	70 m	73 m	75 m
			70 ft	80 ft	90 ft	100 ft	110 ft	120 ft	130 ft	140 ft	150 ft	160 ft	165 ft	170 ft	180 ft	190 ft	200 ft	210 ft	220 ft	230 ft	240 ft	245 ft
HA24	50 m, 165 ft *1	30 m, 100 ft	0	0,2 kg 7 oz	0,4 kg 14 oz	0,6 kg 21 oz	0,8 kg 28 oz	1,0 kg 35 oz	1,2 kg 42 oz	1,4 kg 49 oz	1,6 kg 56 oz	1,8 kg 63 oz	1,9 kg 67 oz	-	-	-	-	-	-	-	-	
HA30, 36	75 m, 245 ft *1	30 m, 100 ft	0	0	0	0	0,2 kg 7 oz	0,4 kg 14 oz	0,5 kg 18 oz	0,7 kg 25 oz	0,9 kg 32 oz	1,0 kg 35 oz	1,1 kg 39 oz	1,2 kg 42 oz	1,4 kg 49 oz	1,4 kg 49 oz	1,4 kg 49 oz	1,4 kg 49 oz	1,4 kg 49 oz	1,4 kg 49 oz	1,4 kg 49 oz	
HA42	75 m, 245 ft	30 m, 100 ft	0	0	0	0	0,2 kg 7 oz	0,4 kg 14 oz	0,5 kg 18 oz	0,7 kg 25 oz	0,9 kg 32 oz	1,0 kg 35 oz	1,1 kg 39 oz	1,2 kg 42 oz	1,4 kg 49 oz	1,5 kg 53 oz	1,7 kg 60 oz	1,9 kg 67 oz	2,0 kg 71 oz	2,2 kg 78 oz	2,3 kg 81 oz	2,4 kg 85 oz

*1. Si la unidad exterior está conectada a la unidad interior A-COIL (PAA-A24, 30, 36), la longitud de la tubería es "Máx. 30 m (100 ft)".

*2. Esta tabla de refrigerante adicional se utiliza solo cuando se conecta a una unidad interior distinta de la unidad interior A-COIL (PAA-A24, 30, 36). La carga adicional no es necesaria si la longitud de la tubería no supera los 30 m (100 ft) para HA24-HA36 conectados a la unidad interior A-COIL (PAA-A24, 30, 36).

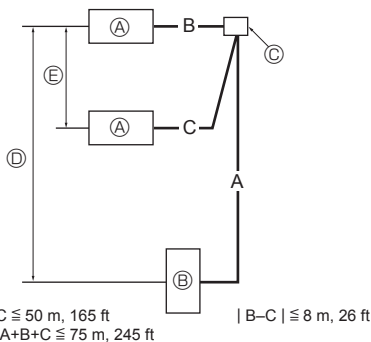


Fig. 4-8

4.7. Para combinación doble

La limitación de diferencia de longitud y altura del tubo refrigerante aparece en la figura. (Fig. 4-8)

- Ⓐ Unidad interior
- Ⓑ Unidad exterior
- Ⓒ Tubo de distribución múltiple (opción)
- Ⓓ Diferencia de altura (Unidad interior-Unidad exterior) Máx. 30 m, 100 ft
- Ⓔ Diferencia de altura (Unidad interior-Unidad interior) Máx. 1 m, 3 ft

A: Tubo principal

B,C: Tubo de empalme, máx. 20 m, 65 ft

5. Tubería de drenaje

Conexión de la tubería de drenaje con la unidad exterior

Cuando sea necesario drenar la tubería, use la toma de drenaje o la batería de drenaje (opcional).

Toma de drenaje *	PAC-SG61DS-E	
Batería de drenaje *	HA24	PAC-SG64DP-E
	HA30/36/42	PAC-SH97DP-E

* No use el tubo de drenaje en climas fríos, ya que podría congelarse.

6. Trabajo eléctrico

6.1. Unidad exterior (Fig. 6-1, Fig. 6-2)

- Extraiga el panel de servicio.
- Tienda los cables de acuerdo con la Fig. 6-1 y Fig. 6-2.

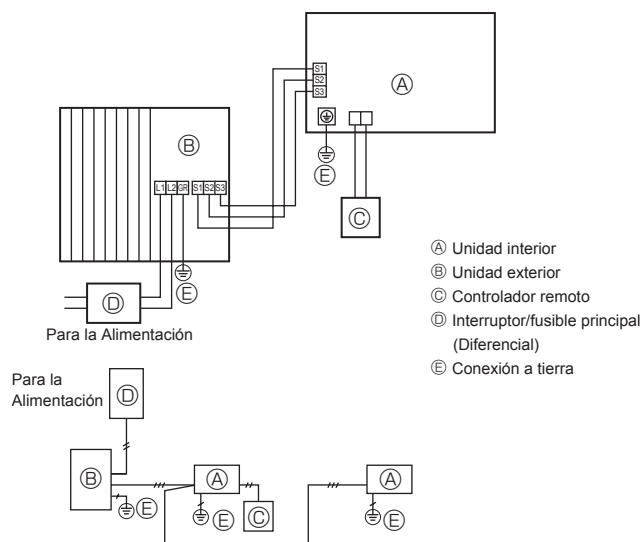


Fig. 6-1

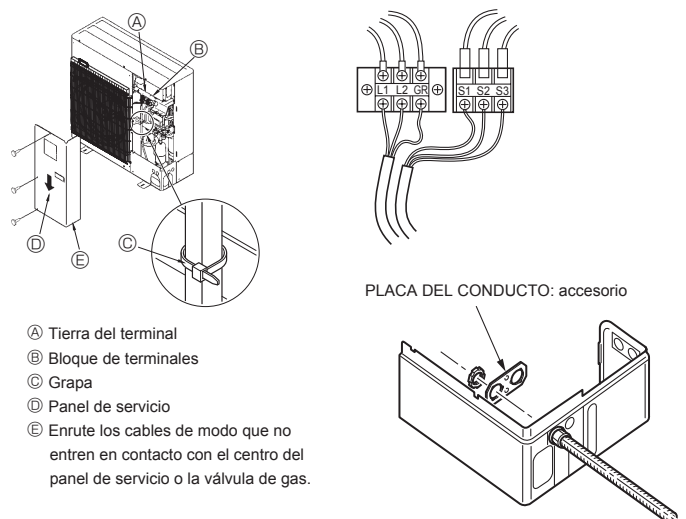


Fig. 6-2

6. Trabajo eléctrico

6.2. Conexión eléctrica de campo

Modelo de la unidad exterior		HA24	HA30	HA36	HA42
Unidad exterior alimentación		Monofase, 208/230 V, 60 Hz	Monofase, 208/230 V, 60 Hz	Monofase, 208/230 V, 60 Hz	Monofase, 208/230 V, 60 Hz
Tamaño del disyuntor	*4	25 A	35 A	35 A	40 A
Amperaje mínimo del circuito		17 A	24 A	26 A	36 A
Capacidad máxima del dispositivo de protección contra sobrecorriente		27 A	40 A	42 A	60 A
Cableado Cable n° x tamaño	Unidad exterior alimentación	2 x Min. AWG 12	2 x Min. AWG 10		2 x Min. AWG 8
	Cable a tierra de la fuente de alimentación de la unidad exterior	1 x Min. AWG 12	1 x Min. AWG 10		1 x Min. AWG 8
	Unidad interior-unidad exterior	*1	3 x AWG 14 (polar)		
	Cable a tierra de la unidad interior	*1	1 x Min. AWG 14		
Rango del circuito	Control remoto - unidad interior	*2	2 x AWG 22 (Non-polar)		
	Unidad exterior L1-L2	*3	208/230 VCA		
	Unidad interior-unidad exterior S1-S2	*3	208/230 VCA		
	Unidad interior-unidad exterior S2-S3	*3	24 VCC		
	Control remoto - unidad interior	*3	12 VCC		

*1. Máx. 45 m, 147 ft

Si se utilizan 2,5 mm², máx. 50 m, 164 ft

Si se utilizan 2,5 mm² y separación S3, máx. 80 m, 262 ft

*2. Se coloca un cable de 10 m, 30 ft al accesorio del controlador remoto. máx. 1500 ft

*3. Los valores NO siempre se aplican a la toma a tierra.

El terminal S3 dispone de 24 VCC frente al terminal S2. Entre S3 y S1, estos terminales no están aislados eléctricamente por el transformador u otro dispositivo.

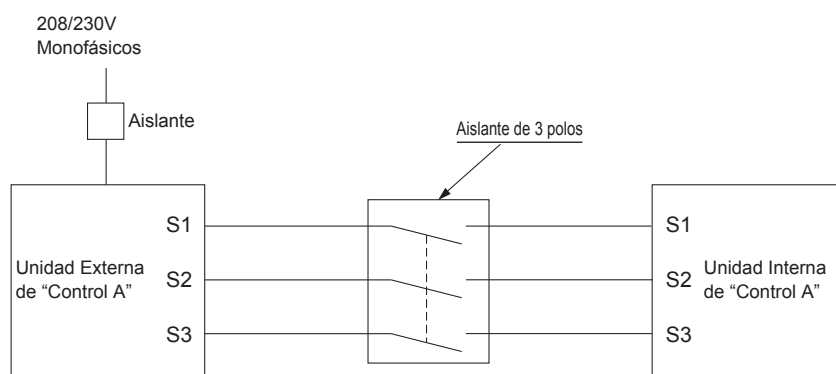
*4. Observe las correspondientes normas federales, estatales o locales para evitar posibles fugas/descargas eléctricas. También puede instalar un interruptor de falta de tierra para evitar fugas y descargas eléctricas.

Notas: 1. El diámetro de los cables debe cumplir la normativa local y nacional.

2. Utilice cables de cobre.

3. Utilice cables con un régimen nominal de 600 V o superior para los cables de la fuente de alimentación y los cables de conexión de las unidades interior/exterior.

4. Instale un cable de toma de tierra más largo que el resto de los cables.



⚠ Atención:

Si hay un cableado de control A habrá un alto voltaje potencial en el terminal S3 causado por un diseño de circuito eléctrico que no incluye aislamiento entre la línea de alimentación y la línea de señal de comunicación. Por ello es necesario que desconecte la alimentación principal antes de reparar la unidad. No toque nunca los terminales S1, S2 y S3 mientras esté conectada la alimentación eléctrica. Si debe utilizar el aislante entre la unidad interior y la unidad exterior, utilice el tipo de aislante de 3 polos.

⚠ Atención:

• Conecte la corriente cuando la temperatura ambiente sea -20°C, -4°F o superior.

• A -20°C, -4°F, son necesarias al menos 4 horas de reposo antes de entrar en funcionamiento para que se calienten los componentes eléctricos.

No empalme nunca el cable de corriente o el cable de la conexión interior-exterior, de lo contrario se podrían provocar humo, un incendio o un fallo en la comunicación.

7. Prueba de funcionamiento

7.1. Antes de realizar las pruebas

► Después de la instalación de tubos y cables en las unidades interior y exterior, compruebe que no haya escapes de refrigerante, que no se haya aflojado ni la fuente de alimentación ni el cableado de control, que la polaridad no sea errónea y que no se haya desconectado ninguna fase de la alimentación.

► Utilice un megaohmímetro de 500 V para comprobar que la resistencia entre los bornes de alimentación y la tierra es como mínimo de 1 MΩ.

► No efectúe esta prueba en los bornes de los cables de control (circuito de bajo voltaje).

⚠ **Atención:**

No utilice el aire acondicionado si la resistencia de aislamiento es inferior a 1 MΩ.

Resistencia del aislamiento

Después de la instalación, o después de un prolongado período de desconexión del aparato, la resistencia del aislamiento será inferior a 1 MΩ debido a la acumulación de refrigerante en el compresor. Esto no es una avería. Siga los siguientes pasos:

1. Retire los cables del compresor y mida la resistencia del aislamiento del compresor.
2. Si la resistencia del aislamiento es menor de 1 MΩ, el compresor está dañado o la resistencia ha descendido por la acumulación de refrigerante en el compresor.
3. Después de conectar los cables al compresor, éste empezará a calentarse después de volver a restablecerse el suministro de corriente. Después de restablecer la corriente según los intervalos que se detallan a continuación, vuelva a medir la resistencia del aislamiento.
 - La resistencia del aislamiento se reduce debido a la acumulación de refrigerante en el compresor. La resistencia volverá a subir por encima de 1 MΩ después de que el compresor haya funcionado durante dos o tres horas. (El tiempo requerido para calentar el compresor varía según las condiciones atmosféricas y la acumulación de refrigerante.)

- Para hacer funcionar un compresor con refrigerante acumulado, se debe calentar durante al menos 12 horas para evitar que se averíe.
- 4. Si la resistencia del aislamiento es superior a 1 MΩ, el compresor no está averiado.

⚠ **Precaución:**

- El compresor no funcionará a menos que la conexión de fase de la fuente de alimentación sea correcta.
- Conecte la corriente al menos 12 horas antes de que empiece a funcionar el equipo.

- Si se acciona inmediatamente después de haberlo conectado a la corriente, pueden producirse daños graves en las piezas internas. Mantenga la unidad conectada a la corriente durante la temporada de funcionamiento.

► **También debe comprobar lo siguiente.**

- La unidad exterior no está averiada. Los indicadores LED1 y LED2 del cuadro de control parpadean cuando la unidad exterior está averiada.
- Tanto las válvulas de gas como las de líquido están completamente abiertas.
- La superficie del panel de los conmutadores DIP del cuadro de control de la unidad exterior está protegida por una tapa. Quite la tapa protectora para manejar los conmutadores DIP fácilmente.
- Asegúrese de que todos los conmutadores DIP SW5 para controlar el funcionamiento situados en el cuadro de control están en posición OFF [DESACTIVADOS]. Si todos los interruptores SW5 no están en posición OFF [DESACTIVADOS], apunte la configuración y cambie todos los interruptores a la posición OFF. Empiece a retirar el refrigerante. Después de cambiar la unidad de lugar y haber realizado la prueba de funcionamiento, vuelva los interruptores SW5 a la posición que se había anotado previamente.

7.2. Prueba de funcionamiento

7.2.1. Al usar SW4 en la unidad exterior

SW4-1	ON	Funcionamiento del enfriamiento
SW4-2	OFF	
SW4-1	ON	Funcionamiento del de la calefacción
SW4-2	ON	

* Después de la realización de las pruebas, ponga SW4-1 en OFF.

- Después de conectar la corriente, se puede oír un pequeño "clic" del interior de la unidad exterior. La válvula electrónica de expansión se irá abriendo y cerrando. La unidad no está averiada.
- A los pocos segundos de funcionar el compresor, se puede oír un pequeño sonido metálico del interior de la unidad exterior. El sonido lo produce la válvula de retención por la pequeña diferencia de presión de las tuberías. La unidad no está averiada.

El modo de prueba de funcionamiento no se puede cambiar por el conmutador DIP SW4-2 durante la prueba. (Para cambiar el modo de prueba de funcionamiento durante la prueba, pare la prueba con el conmutador DIP SW4-1. Después de cambiar el modo de prueba de funcionamiento, reanude la prueba con el conmutador SW4-1.)

7.2.2. Uso del control remoto

Consulte el manual de instalación de la unidad interior.

Nota: Puede que ocasionalmente, el vapor que se libera con la descongelación aparezca como si fuera humo saliendo de la unidad exterior.

8. Funciones especiales

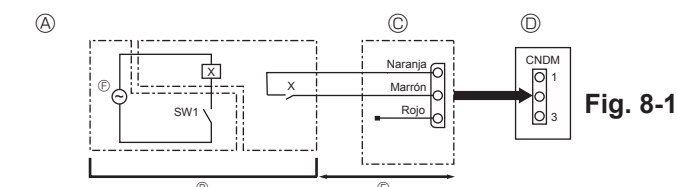


Fig. 8-1

Ⓐ Ejemplo de diagrama de circuito (modo de reducción del ruido)

Ⓑ Arreglo in situ

Ⓒ Adaptador de contacto externo (PAC-SC36NA-E)

X: Relé

Ⓓ Cuadro de control de la unidad exterior

Ⓔ Máx. 10 m, 33 ft

Ⓕ Fuente de alimentación del relé

8.1. Modo de reducción del ruido (modificación in situ) (Fig. 8-1)

Si lleva a cabo las siguientes modificaciones, puede reducir el ruido de la unidad exterior en 3 o 4 dB.

El modo de reducción del ruido se activará cuando añada un programador (disponible en los comercios) o si al conector CNDM (que se vende por separado) del cuadro de control de la unidad exterior se le añade una entrada por contacto de un interruptor de Encendido/Apagado.

• La disponibilidad varía según la temperatura exterior, las condiciones atmosféricas, etc.

- 1 Complete el circuito como se muestra utilizando el adaptador de contacto externo (PAC-SC36NA-E). (Se vende por separado)
- 2 SW7-1 en (Cuadro de control de la unidad exterior): OFF (Funcionamiento de HA24)
- 3 SW1 en posición ON: Modo de reducción del ruido
SW1 en posición OFF: Funcionamiento normal

8. Funciones especiales

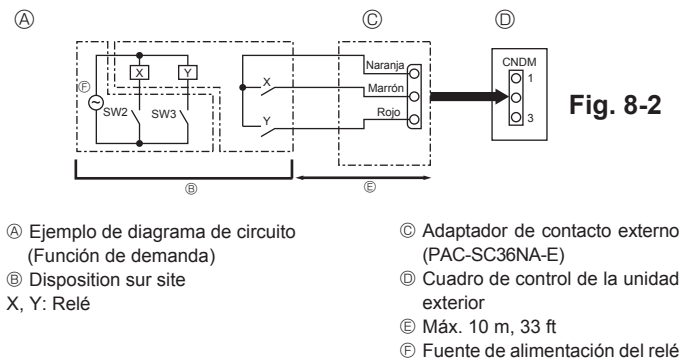


Fig. 8-2

8.2. Función de demanda (modificación in situ) (Fig. 8-2)

Si lleva a cabo la siguiente modificación, el consumo de energía se puede reducir a 0-100% del consumo normal.

La función de demanda se activará al agregar un temporizador comercial o la entrada de contacto de un interruptor ON/OFF al conector CNDM (opcional) del panel de control de la unidad exterior.

- Complete el circuito como se muestra utilizando el adaptador de contacto externo (PAC-SC36NA-E). (opcional)
- Ajustando SW7-1 en el cuadro de control de la unidad exterior, el consumo de energía (en comparación con el consumo normal) puede limitarse como se indica a continuación.

	SW7-1	SW2	SW3	Consumo de energía
Funcionamiento bajo demanda	ON	OFF	OFF	100%
		ON	OFF	75%
		ON	ON	50%
		OFF	ON	0% (detenido)

8.3. Recuperación del refrigerante (vaciado)

Para recuperar el refrigerante cuando mueva la unidad interior o exterior siga los siguientes pasos.

- Fuente de alimentación (disyuntor).
 - Cuando haya restablecido la corriente, asegúrese de que en la pantalla del controlador remoto no aparece "CENTRALLY CONTROLLED". Si aparece "CENTRALLY CONTROLLED" no se puede recuperar el refrigerante (vaciado) de manera normal.
 - La comunicación entre la unidad interior y exterior se inicia aproximadamente 3 minutos después de conectar la alimentación (disyuntor). Inicie la operación de vaciado entre 3 y 4 minutos después de que se haya conectado la alimentación (disyuntor).
- Después de cerrar la válvula de líquido, sitúe el interruptor SWP del cuadro de control de la unidad exterior en posición ON. El compresor (unidad exterior) y los ventiladores (unidad interior y exterior) se ponen en marcha y empieza el proceso de recuperación del refrigerante. Los indicadores LED1 y LED2 del cuadro de control de la unidad exterior están encendidos.
 - Sólo coloque el interruptor SWP (botón tipo pulsador) en la posición ON si la unidad está parada. Aún y así, incluso si la unidad está parada y el interruptor SWP está en posición ON menos de 3 minutos después de que el compresor se haya parado, la operación de recuperación del refrigerante no se puede realizar. Espere 3 minutos después de que el compresor se haya parado y vuelva a poner el interruptor SWP en posición ON.

- Dado que la unidad se para automáticamente al cabo de 2 o 3 minutos de terminar el proceso de recuperación del refrigerante (el indicador LED1 está apagado y el indicador LED2 encendido), asegúrese de cerrar rápidamente la válvula de parada de gas. Si el indicador LED1 está encendido y el indicador LED2 apagado, y la unidad exterior está parada, el proceso de recuperación del refrigerante no se lleva a cabo correctamente. Abra completamente la válvula de parada de líquido y repita el paso ② al cabo de 3 minutos.

* Si la operación de recuperación del refrigerante se ha completado con éxito (el indicador LED1 está apagado y el indicador LED2 encendido), la unidad continuará parada hasta que se corte la corriente.

- Corte la corriente (disyuntor).

* Tenga en cuenta que cuando la tubería de extensión es muy larga y contiene una gran cantidad de refrigerante, es posible que no se pueda realizar una operación de vaciado. Cuando realice esta operación, asegúrese de que la presión ha descendido a casi 0 MPa (manómetro).

⚠ Atención:

Al realizar el vaciado del refrigerante, detenga el compresor antes de desconectar las tuberías de refrigerante. El compresor podría explotar si entra aire, etc. en su interior.

9. Sistema de control (Fig. 9-1)

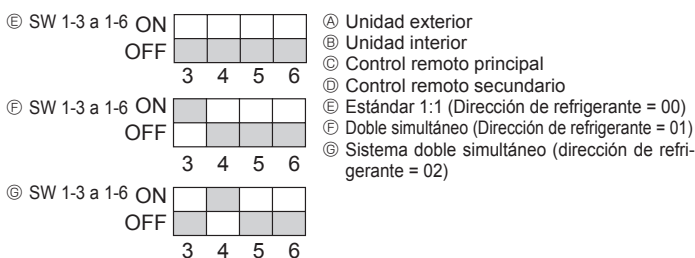


Fig. 9-1

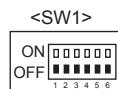
- Ajuste la dirección de refrigerante utilizando el interruptor DIP de la unidad exterior.

- Cableado desde el control remoto. Este cable se conecta a TB5 (bloque de terminales del control remoto) de la unidad interior (sin polaridad).
- Cuando esté utilizando un agrupamiento de sistemas de refrigerante diferente. Utilizando un control remoto fino MA podrán controlarse como un grupo hasta 16 sistemas de refrigerante.

Nota:

Si se utiliza un único sistema refrigerante (doble) no es necesario llevar cable a ②.

SW1
Tabla de funciones



Función	Funcionamiento según el ajuste del interruptor	
	Activado	Desactivado
1 Desescarchado obligatorio	Iniciar	Normal
2 Borrado del registro histórico de errores	Borrar	Normal
3 Ajuste de la dirección del sistema refrigerante	Ajustes de las direcciones 0 a 15 de la unidad exterior	

This product is designed and intended for use in the residential,
commercial and light-industrial environment.

Please be sure to put the contact address/telephone number on
this manual before handing it to the customer.

mitsubishi **MITSUBISHI ELECTRIC CORPORATION**

HEAD OFFICE: TOKYO BUILDING, 2-7-3, MARUNOUCHI, CHIYODA-KU, TOKYO 100-8310, JAPAN