

Lossnay Component for residential, commercial or light-industrial use.
Remote Controller

Model

PZ-41SLB-E

Installation Instructions (For use by dealer/contractor)

This remote controller is to be connected to a Lossnay unit to allow that unit to be started and stopped, and to allow selection of the ventilation mode and of the fan speed.

- This manual must be read both fully and carefully before commencing installation procedures; furthermore, the subsequent installation must be performed correctly and safely in accordance with the instructions given.
- The installation of this remote controller is to be performed by the dealer or by an installation contractor -- the customer is not to perform this operation.
- A switch box will be required for this installation.

Essential Safety Precautions

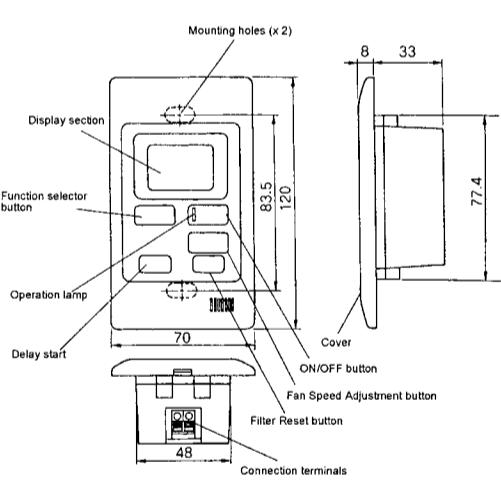
- The following symbols are used in this manual to indicate possible dangers and the corresponding levels of seriousness associated with failure to observe the correct operating procedures.

| | |
|------------------|---|
| ⚠ WARNING | When this symbol is displayed, it indicates that failure to follow the given instructions may result in serious injury or even death. |
| | <ul style="list-style-type: none"> ● This Lossnay remote controller must not be modified in any way; unnecessary disassembly is also prohibited. (Failure to follow this precaution could result in the outbreak of fire, in electrical shock, or in injury.) |
| | <ul style="list-style-type: none"> ● This remote controller must not be installed in bath rooms or in any outdoor locations where it may come into direct contact with rain water. (Failure to follow this precaution could result in the outbreak of fire or in electrical shock.) ● This Lossnay remote controller must not be splashed with water or have water applied in any other way. (Failure to follow this precaution could result in the generation of short circuits or in electrical shock.) |
| | <ul style="list-style-type: none"> ● Electrical operations must be performed correctly and safely. (Failure to follow this precaution could result in the outbreak of fire or in electrical shock.) |

Installation precautions

- Do not insert any wiring which is larger than the specified size into the connection terminals. (Failure to observe this precaution could result in component damage.)
- Do not use the remote controller's wiring ducts to convey any wiring which is not for the specific purpose of operation of this controller. (Failure to observe this precaution could result in signal-transmission errors.)
- Do not use multi-core cable in place of a number of individual signal lines. (Failure to observe this precaution could result in signal-transmission errors.)
- All wiring must be restricted to within a gross extended length of 500 m. (Failure to observe this precaution could result in signal-transmission errors.)

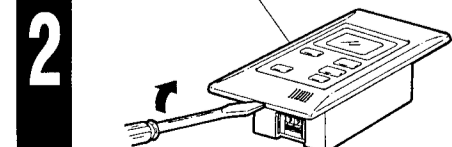
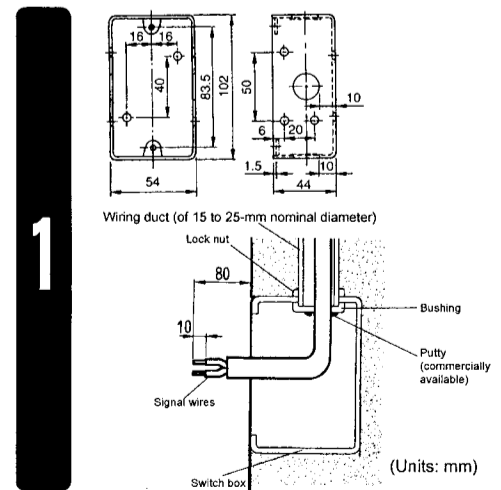
Component Names and External Dimensions



Accessory parts

(Units: mm)

Installation Dimensions



Wiring

1. Perform insertion of a single-unit switch box (without a cover).
2. Lay the wiring duct as far as the switch box.
3. Connect the signal wires from the Lossnay unit to the switch box. (Note that 2-core telephone line should be used; furthermore, this line should be of PVC insulated PVC jacketed and either between ϕ 0.65 and ϕ 1.2, or between 0.3 mm² and 1.25 mm² in cross section.
4. Use standard putty to create a secure seal so as to prevent frosting due to the intake of atmospheric air.

NOTICE

- Confirm that the Lossnay unit's power supply is not turned on before connecting its signal wire to the switch box.

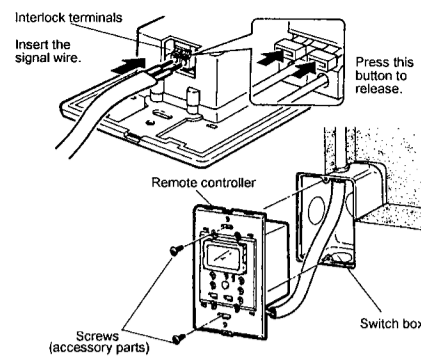
Cover removal

To remove the cover, insert the tip of a flat-head screwdriver into the notch and turn.

NOTICE

- Take care during removal of the cover to avoid any damage being caused. To remove the cover, insert the tip of a flat-head screwdriver into the notch and turn.

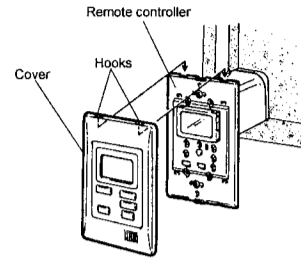
3



Connection of wiring and remote-controller mounting:

1. Fully insert the (non-polar) signal wiring into the connection terminals.
2. Gently tug on the wiring to confirm that it is being securely gripped.
3. Mount the remote controller on the switch box using the two screws provided as accessory parts.

4



Mounting of the cover

To mount the cover, secure the two hooks at its upper edge and press on its lower section until it is heard to snap into place..

5

(1) Setting for filter maintenance



When Lossnay unit has operated for the time set as the cumulative-operation time, the Filter display will begin to flash indicating the cleaning of the filter is required. This setting time should be selected in accordance with the degree of contamination of the air in the unit's installation location. To perform an actual setting, press and hold the FILTER button for at least five seconds to display the setting value and to turn on the Filter display.

Filter Then, press the Filter button to change the setting value in the repeating sequence
3000 → 4500 → OFF → 1500

When the button is released before 5 seconds have elapsed, the display will turn off and the current replacement time will be selected. Note that this value is set to [3000] before shipment from the manufacturing plant.

(3) Setting for interlocked mode



The Interlocked-mode setting is used to determine the way in which the Lossnay unit will respond to starting and stopping of interlocked external device such as an air conditioner, etc. To perform an actual setting, press and hold the INTERLOCKED button for at least five seconds while the Lossnay unit is currently stopped to display the setting value as shown in the diagram.

Press the switch to change the setting in the repeating sequence
1 → 2 → 3 → 4

(1, original setting at factory shipment)

When the button is released before 5 seconds have elapsed, the display will turn off and the current setting will be selected. Note that this value is set to [1] before shipment from the manufacturing plant.

Switching of function selection

(2) Setting for delay



The delay-time setting is used to determine the length of the period that will elapse after the start of operation of the external devices until the Lossnay unit begins to operate. To perform an actual setting, press and hold the DELAY START button for at least five seconds while the Lossnay unit is currently stopped to display the setting value as shown in the diagram.

DELAY START Each time the DELAY START button is pressed, the delay time will change in accordance with the repeating sequence
0 → 10 → 20 → 30 → 40 → 50 → 60 minutes.

(0, original setting at factory shipment)

When the button is released before 5 seconds have elapsed, the display will turn off and the current delay time will be selected. Note that a delay time of 0 minutes is set before shipment from the manufacturing plant. Note also that when Off Interlock mode has been selected, this setting value will be invalidated.

| Interlocked Operation mode | Action |
|---|---|
| 1 On/Off Interlocking | Starting and stopping of the Lossnay unit will be performed from external device -- specifically, when the external air conditioner begins to operate, the Lossnay unit will also begin to operate; when the external air conditioner stops operating, the Lossnay unit will also stop operating. Note that subsequent operation using the remote controller will be possible. |
| 2 On Interlocking | Starting of the Lossnay unit will be performed from external device -- specifically, when the external air conditioner begins to operate, the Lossnay unit will also begin to operate. Stopping of the Lossnay unit must be performed using the remote controller. |
| 3 Off Interlocking | Stopping of the Lossnay unit will be performed from external device -- specifically, when the external air conditioner stops operating, the Lossnay unit will also stop operating. Starting of the Lossnay unit must be performed using the remote controller. |
| 4 On/Off Interlocking (with external-signal priority) | Starting and stopping of the Lossnay unit will be performed from external device -- specifically, when the external air conditioner begins to operate, the Lossnay unit will also begin to operate; when the external air conditioner stops operating, the Lossnay unit will also stop operating. However, it is not possible to stop the Lossnay unit using the remote controller while the external air conditioner is operating. |

Trial Operation

After installation has been completed, it is of the utmost importance that trial operation of the Lossnay unit and any external device such as an air conditioner is carried out. When power is supplied to the remote controller the [HO] display will flash (for approximately 40 seconds); following this, the system will switch to operation-start mode.

| Relevant button | Relevant display items | Sequence |
|-----------------|------------------------|---|
| 1 | [HO] | Initiate the supply of power to the Lossnay unit. (The [HO] display will flash for approximately 40 seconds) |
| 2 | [ON/OFF] | Press the ON/OFF button. The Operation lamp will turn on and the Lossnay unit will begin to operate. |
| 3 | [Function selector] | Press the Function selector button: Each time it is pressed, the corresponding display will change in accordance with the sequence [HEAT EX.] (non-automatic) → [BY-PASS] (non-automatic) → [AUTO]. |
| 4 | [Fan Speed adjustment] | Press the Fan Speed adjustment button to toggle between Low and High. |
| 5 | [ON/OFF] | Press the Operation switch. The Operation lamp will turn off and the Lossnay unit will stop operating. |

- Note that when the Ventilation Mode selector button is pressed, it will take up to 40 seconds before the operation of the damper changes accordingly.

If an inspection number should be flashed, refer to the following table and take the required action.

| Inspection number | Cause | Required action |
|-------------------|---|--|
| 0900 | The SW2 trial-operation switch from the Lossnay unit's control box is On. | Turn off the trial-operation switch. |
| 6608 | If two or more Lossnay units are currently being used together, this number will indicate that the correct setting has not been performed using the units' master/slave switches. | Turn off the power supply and use the master/slave switches to specify one Lossnay unit as the master and the others as slaves. Following this, turn the supply of power back on. Note that all Lossnay units are specified as masters before shipment from the manufacturing plant. |
| | If two remote controllers are currently being used together, this number may indicate that one of these controllers is not connected. | Turn off the power supply, connect the remote controller, and turn the power supply back on. |
| | If two remote controllers are used together, this number may indicate that both of these controllers are not set automatically when the power is turned on. | Turn off the power supply and turn the power supply back on. |
| 4000 | Multi-core cable has been used in place of a number of signal wires. | Switch back to the use of standard wiring and install each signal wire separately. |
| | A circuit abnormality has occurred in the Lossnay unit. | Turn off the supply of power and contact the retail outlet from where this product was purchased for further instructions. number |
| | 5101 A breakdown has occurred in the Lossnay thermo (OA side). | |
| | 5102 A breakdown has occurred in the Lossnay thermo (RA side). | |
| 3602 | A breakdown has occurred in the damper motor. | |