



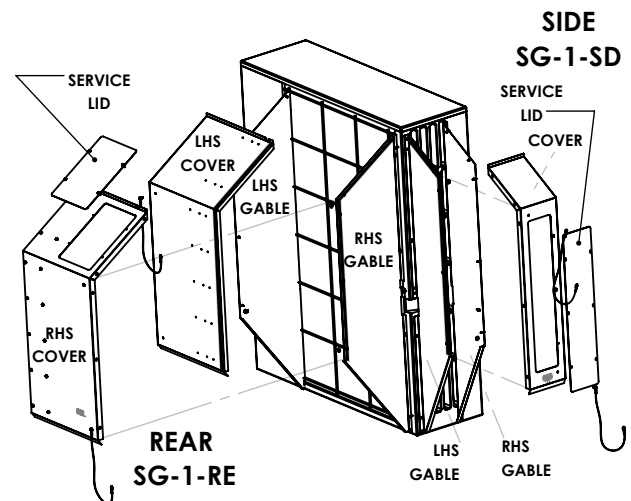
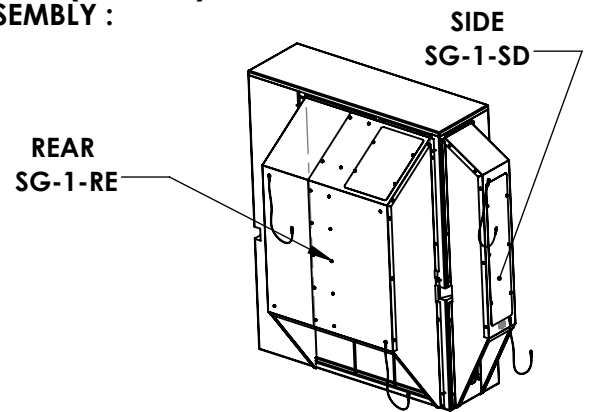
**MITSUBISHI
ELECTRIC**

SG-1-SD & SG-1-RE Snow Guard Installation Instructions

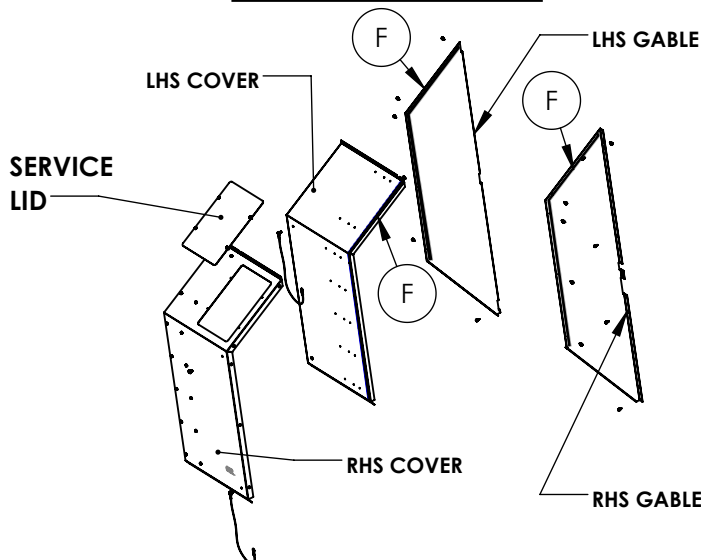
Always observe for safety and securely install the optional parts

SNOWGAURD INSTALLATION PROCEDURE FOR SIDE (SG-1-SD) AND REAR (SG-1-RE) SNOW GUARD ASSEMBLY :

1. INSTALL THE REAR ASSEMBLY (SG-1-RE) BY INSTALLING THE LEFT HAND SIDE GABLE USING THE #10 FLAT WASHER AND #10 SCREWS SUPPLIED.
2. INSTALL THE RIGHT HAND SIDE GABLE USING THE #10 FLAT WASHER AND #10 SCREWS SUPPLIED.
3. ADD 1/2" WIDE ANTI-VIBRATION FOAM TO EXTERIOR EDGE OF GABLES.
4. WHERE APPLICABLE (I.E. SG-1-RE) ADD 1/2" WIDE ANTI-VIBRATION FOAM TO EXTERIOR FACE OF LHS COVER AS PER BALLON F.
5. WHERE APPLICABLE (I.E. SG-1-RE) ALIGN SLOTS OF LEFT HAND REAR COVER WITH THE HOLES OF THE LEFT HAND SIDE GABLE. **INSTALL USING #8 SCREWS PROVIDED.**
6. WHERE APPLICABLE (I.E. SG-1-RE) ALIGN SLOTS OF RIGHT HAND REAR COVER WITH THE HOLES OF THE RIGHT HAND SIDE GABLE. **INSTALL USING #8 SCREWS PROVIDED.**
7. ALIGN THE LEFT HAND REAR COVER HOLES WITH THE RIGHT HAND COVER SLOTS AND INSTALL **USING THE #8 SCREWS PROVIDED.** INSTALL THE SCREWS FROM THE TOP DOWN TO ENSURE BEST ALIGNMENT.
8. INSTALL SERVICE LID ONTO THE EXTERIOR COVER **USING #8 SCREWS PROVIDED.**
9. FOR THE SG-1-SD SIDE COVER, ALIGN SLOTS OF THE REAR COVER WITH THE HOLES OF THE CORRESPONDING GABLES. **INSTALL USING #8 SCREWS PROVIDED.**
10. ATTACH THE SAFETY CABLES TO THE UNIT (ALREADY ATTACHED INSIDE THE PANELS). **ENSURE TO SECURE SAFETY CABLES TO CABINET WITH EXISTING SCREWS ON CABINET AND TIGHTENUP THE 2 SCREWS ALREADY INSTALLED ON THE FRONT FACE PANEL.** ***** ONCE ALL SNOWGAURDS ARE INSTALLED, MAKE SURE TO INSPECT AND CHECK FOR ANY LOOSE CONNECTIONS.*****



REAR ASSEMBLY SG-1-RE



SIDE ASSEMBLY SG-1-SD

