

How to Use / How to Install

Package air conditioner Optional parts Installation Manual for Windscreen

Always observe for safety

- Carefully read this section [Always observe for safety] and securely install the optional parts.
- Be sure to observe the cautions described here: They include critical contents for safety.
- The following indications show the classifications for danger, and possible consequences following incorrect handling.

⚠ WARNING

Incorrect handling could lead to death or serious injury.

⚠ CAUTION

Incorrect handling could lead to injury or damage to house and household articles.

- After installation perform a test run and make sure that there is no abnormality and ask your customer to keep this installation sheet with the instruction manual at all times. Also ask the customer to transfer these manuals to a new user if the user changes.

⚠ WARNING

Ask the dealer or specialist for installation

- If installed incorrectly by the user, water leak, electric shock, fire, etc. could result

Carefully install the panel according to this installation sheet

- Incorrect installation could cause water leak, electric shock, fire, etc.

Before performing installation (moving) and electrical work:

⚠ CAUTION

Do not place polyethylene bags in reach of young children

- Putting them over the head will block breathing passages, which could result in suffocation.

If electrical work is necessary, use only specified electric wires adapted with current capacity

- Use of unsuitable wire could cause electric leak, overheating or fire.

Securely apply heat insulation to refrigerant pipe so that no condensation occurs

- If heat-insulation is inadequate, condensation could occur on the surface of pipes and dewdrops could accumulate on ceiling, floor or important goods.

Securely perform drain piping work according to the installation manual so that no condensation occurs.

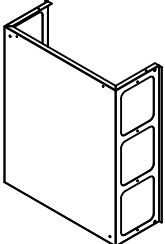
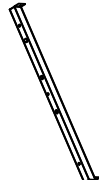
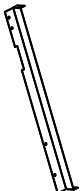
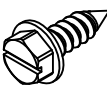
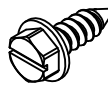



- If piping work is incorrect, water leak may occur and ceiling, furniture, etc. may get wet.

This Air Guide prevents reverse rotation of outdoor unit fan when it enters low speed rotation mode with fan controller being operated. It is also used for protection of fan when strong winds, such as in typhoon, wind blowing through tall buildings, etc., strike directly the air outlet. In addition, installation of this product is necessary when cooling operation is to be performed in outside-air temperature of -5° C or lower. Pay attention to the following points when installing this product:

- 1) To eliminate the effects of external winds, be sure to install this unit with back surface facing wall side be sure airflow is not affected.
- 2) Do not install this unit in such orientation where wind blows directly at the back of the unit.
- 3) Installation of this product will reduce the capacity of the unit (approx. 2 or 3%) and increase the noise of outdoor unit (approx 1 or 2dB)
- 4) Do not use this product where there is any obstacle at either side or above the outdoor unit (discharged air will be blocked). This may cause a short cycle.

1 Checking parts

Make sure that all the following parts, in addition to this manual, are in this box:

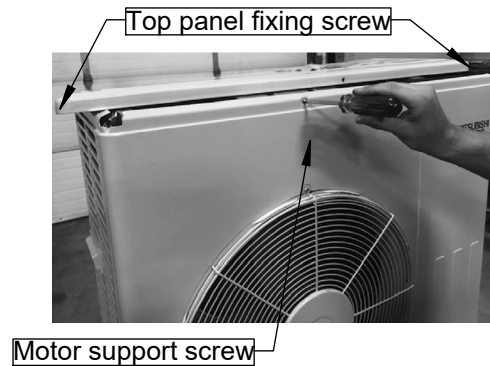
Windscreen	1	Top Bracket	1	Bottom Bracket	1	Installation Hardware				
										
						4 PCS	1 PC	2 PCS	2 PCS	2 PCS

WFR1 (FRONT WINDSCREEN)

INSTALLATION PROCEDURE

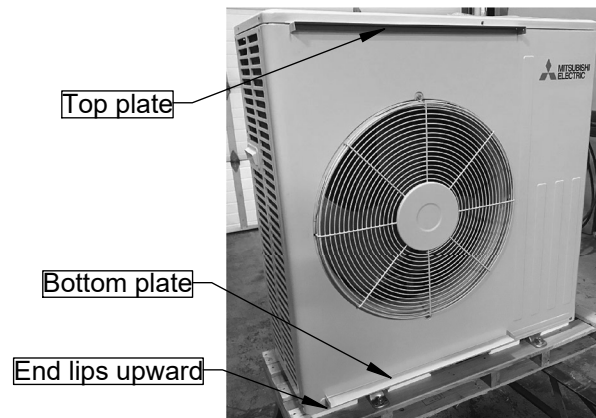
1. Remove the top panel fixing screws (two from the right, two from the left side and one from the front) and detach the top panel.

With the top cover off, remove existing motor support screws.



2. Align top plate with the screw hole and secure with screw provided #10.

Remove the two existing lower cabinet screws and secure bottom plate with end lip upward, use existing screws.



3. Align windscreen with top and bottom plates and secure with #8 screws provided.

Replace the top cover and ensure the windscreen lip fits under it.

Secure the top cover, and upper safety string with top panel fixing screws. Secure lower safety string to lower corner of cabinet.

