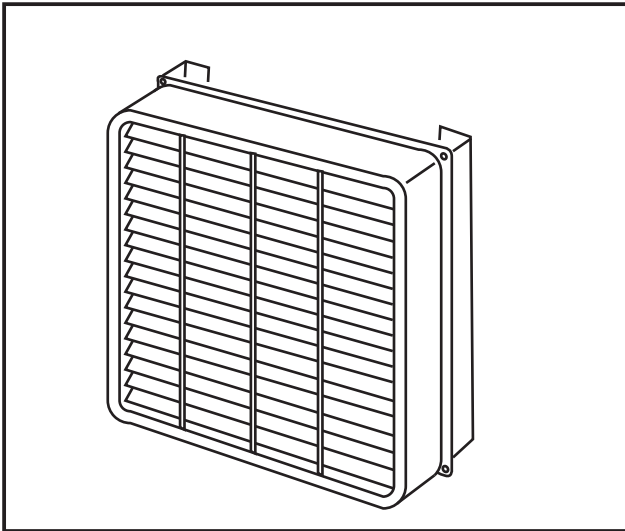




Photo



Descriptions

A part to change air direction from outdoor unit.
Can also be used to prevent short cycles.

Applicable Models

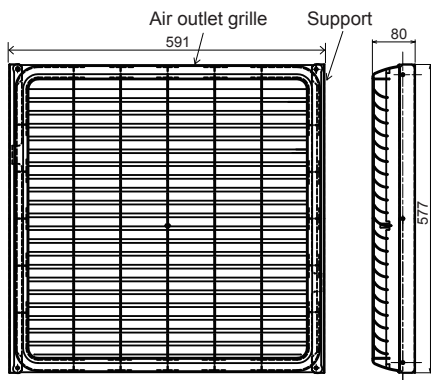
- MXZ-3A54VA ■ MXZ-4A80VA
- MXZ-4A71VA ■ MXZ-5A100VA

Specifications

Exterior	Color (Munsell)	Ivory (3.0Y7.8/1.1)
	Material	Air outlet grille: PP resin
Air outlet direction		Changeable between up and down
Accessory name × Qty. <Material/Surface treatment>		Support A × 2 (Alloy hot-dip zinc-coated carbon steel sheet / Acrylic resin coating) Support B × 2 (Alloy hot-dip zinc-coated carbon steel sheet / Acrylic resin coating) Screw (5×10) × 14 (Iron/Zinc nickel alloy plated)

Dimensions

Unit : mm

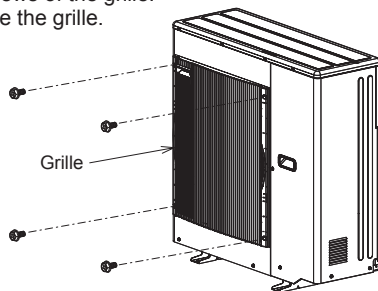


Components

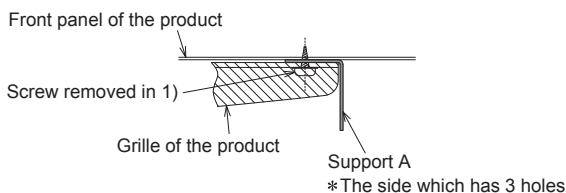
① Air outlet guide x1	② Support A x2	③ Support B x2	④ Screw 5×10 x14

How to Use / How to Install

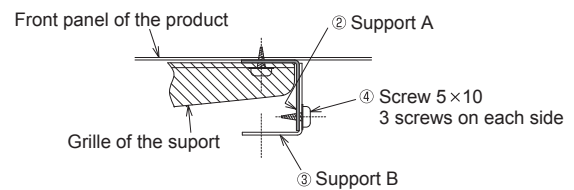
- Remove 4 fixing screws of the grille.
Note) Do not remove the grille.



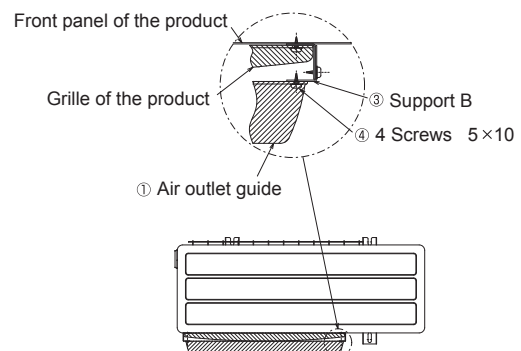
- Insert the support A between the product and the grille, and reinstall the screws that removed in 1).
Note) Support A for right side and left side are identical with each other. The side which has 2 holes should face the product, and the other side which has 3 holes faces the outside.



- Fix the support B to the support A with 3 screws (5×10) on each right and left side.



- Fix the air outlet guide to the support B with 4 screws 5 × 10.
* The directions of the air outlet can be selected from 4 directions, up, down, left, and right. Choose the appropriate direction according to the installation environment.



OPTIONAL PARTS