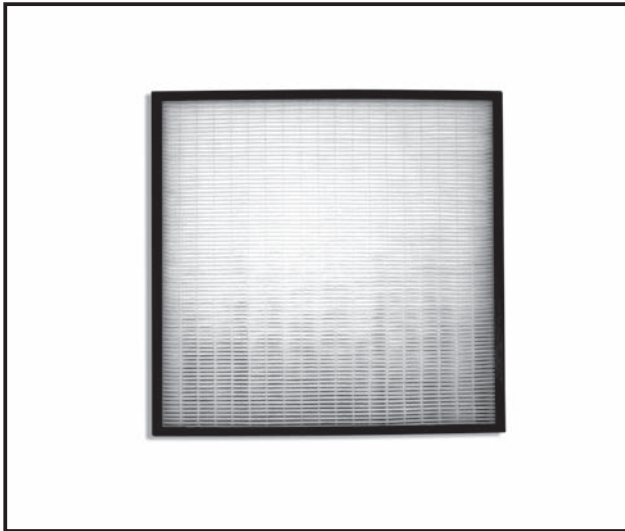




Photo



Descriptions

High Efficiency Filter is part that remove dust in air.
PAC-SH53TM-E (multi-function casement) is required for installation.

Applicable Models

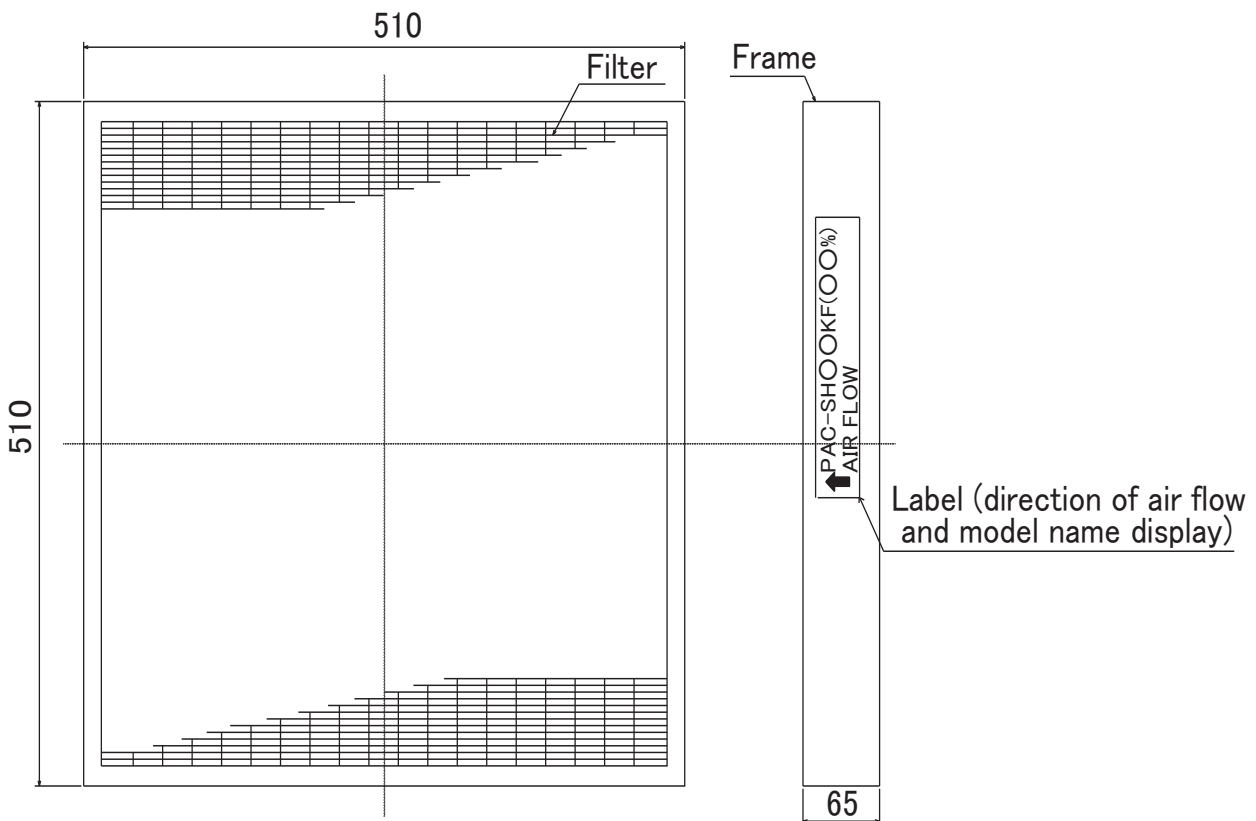
- PLA-A**BA

Specifications

Dust collection efficiency	Colorimetric method 65% (JIS 11 class)
Filter element ,aterial	Electrostatic polyolefin fiber
Life	Approx 2,500 hours (at dust density 0.15 mg/m3) *Reproduction not possible
Parts composition	This element x 1

Dimensions

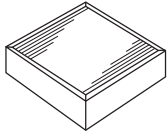
Unit : mm



OPTIONAL PARTS

How to Use / How to Install

1 Parts check. (The unit is provided with this manual and following parts in the box.)

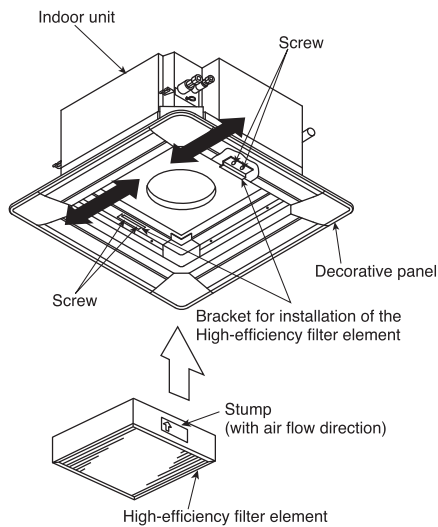
Part #, Name	High-efficiency filter element
Q'ty	1
Figure	

NOTICE

- (1) In case that the High-efficiency filter element is installed, it should be installed on the Multi-functional casement which is option.
Be sure to purchase the Multi-functional casement.


2 Installation of High-efficiency filter element (same procedure for replacement)

- Remove the intake grille of the Decorative panel in advance.
(See the "installation instructions of decoration panel" for details.)
- Loosen the four screws of bracket for installation of the High-efficiency filter element of the Multi-functional casement as shown right. Then, slide them outside.
- Set the High-efficiency filter element in Multi-functional casement, slide the plate inward, and then tighten the four screws securely.
- ※ When the indoor unit is used with "2 ways" air outlet, the High-efficiency filter element is not available.
- ※ When the High-efficiency filter element is installed, the operation noise can be larger.
- ※ When attaching the High-efficiency filter element, check the direction of air flow, referring to the stamp on the side.



3 Air flow volume setting when High-efficiency filter element is installed


- ※ When the High-efficiency filter element is attached for the first time, the setting for increase in airflow rate must be performed.
- ※ This setting is necessary only when the element is newly attached: No setting is required when the filter is replaced.

 CAUTION	Set up for increasing air flow volume
	● If the set up is not done correctly, the air flow volume will decrease and it can lower the performance and cause dew drop.

- 1) If the indoor unit to be combined is BA series:
 - Setting must be performed from the remote control: See the pages of "Function Selection" in the installation manual provided with the remote control. (Set optional assembly to "Yes".)
- 2) If the indoor unit to be combined is other than above:
 - Set switch "SWC" on the address board in indoor unit to the "option" ② side ("standard" at the factory).

4 Replacement Period

- The High-efficiency filter element is single-use (not recyclable).
- The reference for operation time is 2,500 hours (depending on the environment in which the air-conditioner is installed).

 CAUTION	Do not wash with water.
	● Washing with water will degrade the performance and could cause the element to become unusable.