

SPLIT-TYPE, HEAT PUMP AIR CONDITIONERS

October 2015

No. OCB607

# PARTS CATALOG R410A

**[Model Name]**

**[Service Ref.]**

PUZ-HA30NHA5

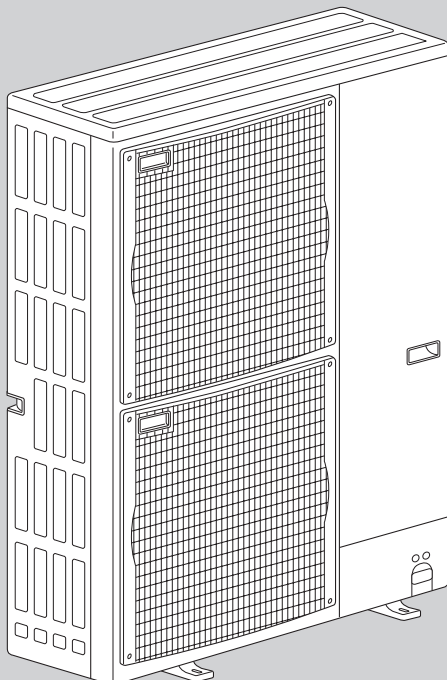
**PUZ-HA30NHA5**

PUZ-HA36NHA5

**PUZ-HA36NHA5**

Notes:

- This manual describes service data of the outdoor units only.
- RoHS compliant products have <G> mark on the spec name plate.



## CONTENTS

1. RoHS PARTS LIST.....2

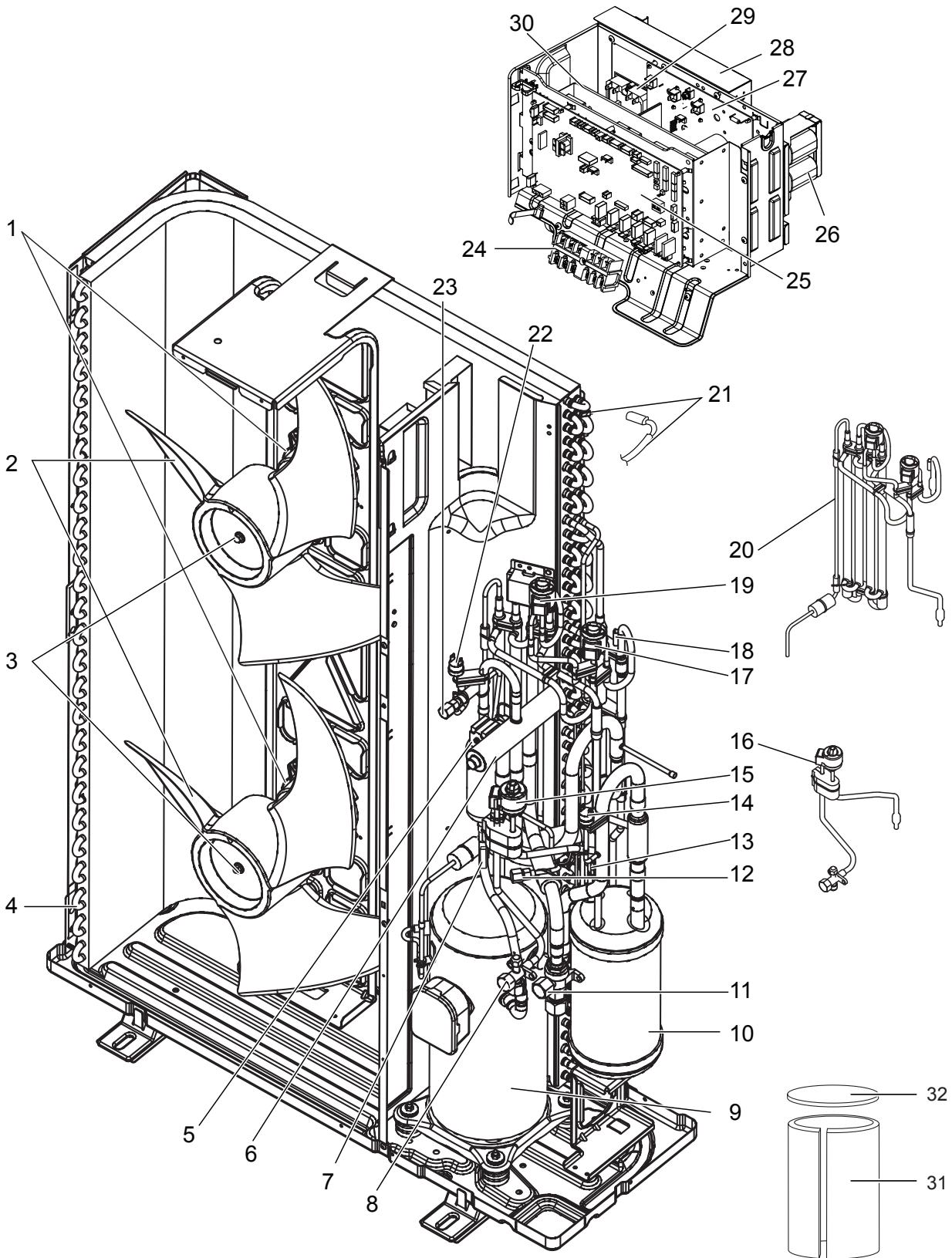
SERVICE MANUAL (OCH607)

# Mr. SLIM

FUNCTIONAL AND ELECTRICAL PARTS

PUZ-HA30NHA5

PUZ-HA36NHA5



# RoHS PARTS LIST

Parts numbers that are circled are not shown in the figure.

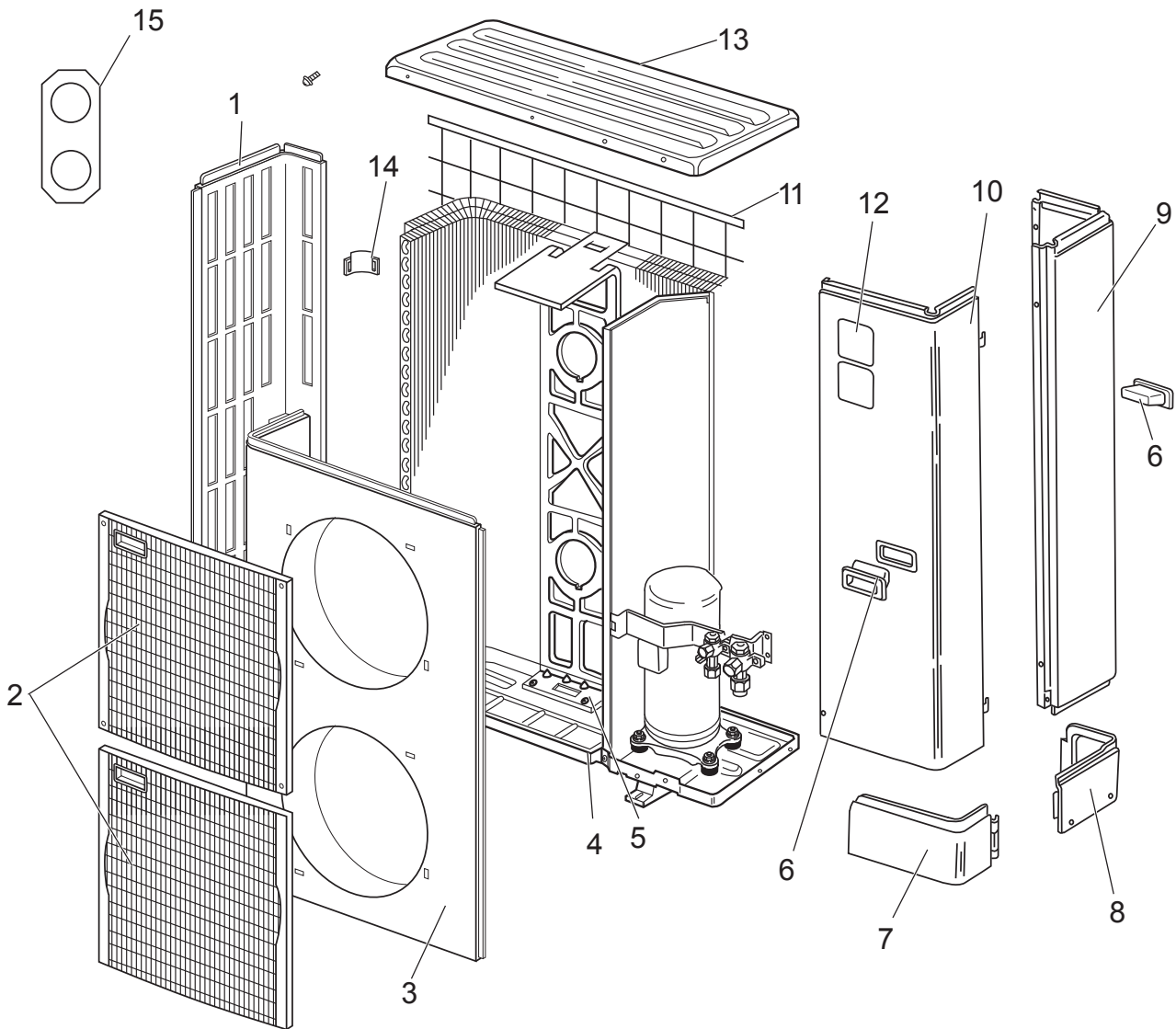
No.	RoHS	Parts No.	Parts Name	Specification	Q'ty/unit		Remarks (Drawing No.)	Wiring Diagram Symbol
					PUZ-HA30NHA5	PUZ-HA36NHA5		
1	G	R01 E70 221	FAN MOTOR		2	2		MF1, 2
2	G	R01 E12 115	PROPELLER FAN		2	2		
3	G	R01 E09 097	NUT		2	2		
4	G	R01 H01 408	HEAT EXCHANGER		1	1		
5	G	T7W E42 242	SOLENOID COIL <4-WAY VALVE>		1	1		21S4
6	G	T7W E05 403	4-WAY VALVE		1	1		
7	G	R01 E14 201	THERMISTOR (DISCHARGE)		1	1		TH4
8	G	T7W E04 410	STOP VALVE	3/8	1	1		
9	G	T97 415 767	COMPRESSOR	ANB33FJEMT	1	1	Including RUBBER MOUNTS	MC
10	G	R01 E60 440	POWER RECEIVER		1	1		
11	G	R01 E12 410	BALL VALVE	5/8	1	1		
12	G	R01 E12 413	CHARGE PLUG		1	1		
13	G	R01 H32 202	THERMISTOR (SUCTION)		1	1		TH32
14	G	R01 E00 209	LOW PRESSURE SWITCH		1	1		63L
15	G	R01 E49 242	LINEAR EXPANSION VALVE COIL		1	1	Connector: Red	LEV-B
16	G	T7W E77 401	LEV-B ASSY		1	1	Including LEV COIL and STOP VALVE	
17	G	R01 E50 242	LINEAR EXPANSION VALVE COIL		1	1	Connector: White	LEV-A
18	G	R01 H79 202	THERMISTOR (REF. CHECK)		1	1		TH33
19	G	R01 E68 242	LINEAR EXPANSION VALVE COIL		1	1	Connector: Blue	LEV-C
20	G	T7W E76 401	LEV ASSY HIC		1	1	Including LEV-A and LEV-C COIL	
21	G	R01 E94 202	THERMISTOR (2-PHASE PIPE, AMBIENT)		1	1		TH6, 7
22	G	T7W E07 208	HIGH PRESSURE SWITCH		1	1		63H
23	G	R01 E28 413	CHARGE PLUG		1	1		
24	G	T7W E40 716	TERMINAL BLOCK	6P (L1,L2,GR,S1,S2,S3)	1	1		TB1
25	G	T7W F07 315	CONTROLLER CIRCUIT BOARD		1	1		C.B.
26	G	T7W E24 259	REACTOR		1	1		DCL
27	G	R01 E65 313	POWER CIRCUIT BOARD		1	1		P.B.
28	G	R01 A13 371	HEAT SINK		1	1		
29	G	R01 E07 233	ACTIVE FILTER MODULE		1	1		ACTM
30	G	R01 E22 346	NOISE FILTER CIRCUIT BOARD		1	1		N.F.
31	G	R01 A70 602	COMP FELT (BODY)		1	1		
32	G	R01 A57 602	COMP FELT (TOP)		1	1		
33	G	R01 E99 202	THERMISTOR (HEAT SINK)		1	1		TH8
34	G	R01 E14 239	FUSE	250V 6.3V	4	4		F1,2,3,4
35	G	R01 E39 510	LEAD ASSY COMP		1	1		
36	G	R01 H00 202	THERMISTOR (LIQUID)		1	1		TH3
37	G	R01 E22 255	MAIN SMOOTHING CAPACITOR		1	1		CB

# RoHS PARTS LIST

## STRUCTURAL PARTS

PUZ-HA30NHA5

PUZ-HA36NHA5



# RoHS PARTS LIST

No.	RoHS	Parts No.	Parts Name	Specification	Q'ty/unit		Remarks (Drawing No.)	Wiring Diagram Symbol
					PUZ-HA30NHA5	PUZ-HA36NHA5		
1	G	R01 E33 662	SIDE PANEL (L)		1	1		
2	G	T7W E03 691	FAN GRILLE		2	2		
3	G	T7W E06 667	FRONT PANEL		1	1		
4	G	R01 E26 686	BASE ASSY		1	1		
5	G	R01 E62 130	MOTOR SUPPORT		1	1		
6	G	R01 E01 655	HANDLE		2	2		
7	G	R01 E26 658	COVER PANEL (FRONT)		1	1		
8	G	R01 E25 658	COVER PANEL (REAR)		1	1		
9	G	R01 E44 661	SIDE PANEL (R)		1	1		
10	G	T7W E14 667	SERVICE PANEL		1	1		
11	G	R01 E07 698	REAR GUARD		1	1		
12	G	T7W A00 005	BRAND LABEL		1	1	MITSUBISHI ELECTRIC	
13	G	R01 E29 641	TOP PANEL		1	1		
14	G	R01 E02 655	HANDLE		1	1		
15	G	T7W E01 617	CONDUIT PLATE		1	1		

**Mr. SLIM**

**mitsubishi electric corporation**

HEAD OFFICE : TOKYO BLDG., 2-7-3, MARUNOUCHI, CHIYODA-KU, TOKYO 100-8310, JAPAN