

PARTS CATALOG

<Outdoor unit>
[Model name]

PUMY-P60NKMU1

[Service Ref.]

PUMY-P60NKMU1

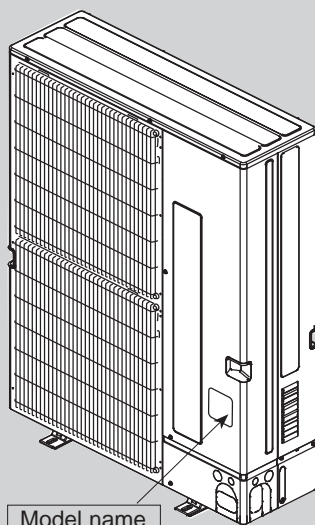
Notes:

- RoHS compliant products have <G> mark on spec name plate.
- For servicing of RoHS compliant products, refer to RoHS PARTS LIST.

Salt proof model

PUMY-P60NKMU1-BS

PUMY-P60NKMU1-BS



Model name
indication

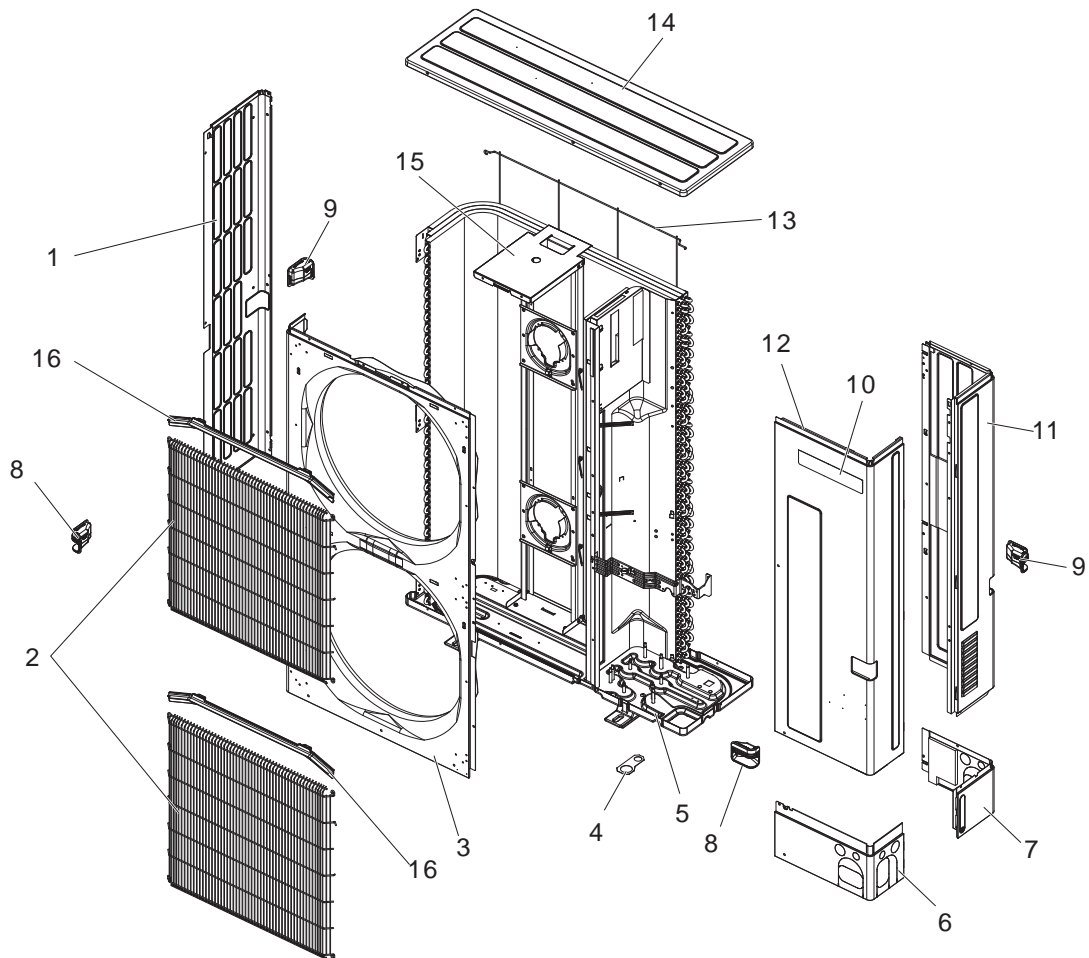
OUTDOOR UNIT

CONTENTS

1. RoHS PARTS LIST 2
2. OPTIONAL PARTS..... 6

SERVICE MANUAL (OCH613)

1-1. STRUCTURAL PARTS
PUMY-P60NKMU1
PUMY-P60NKMU1-BS



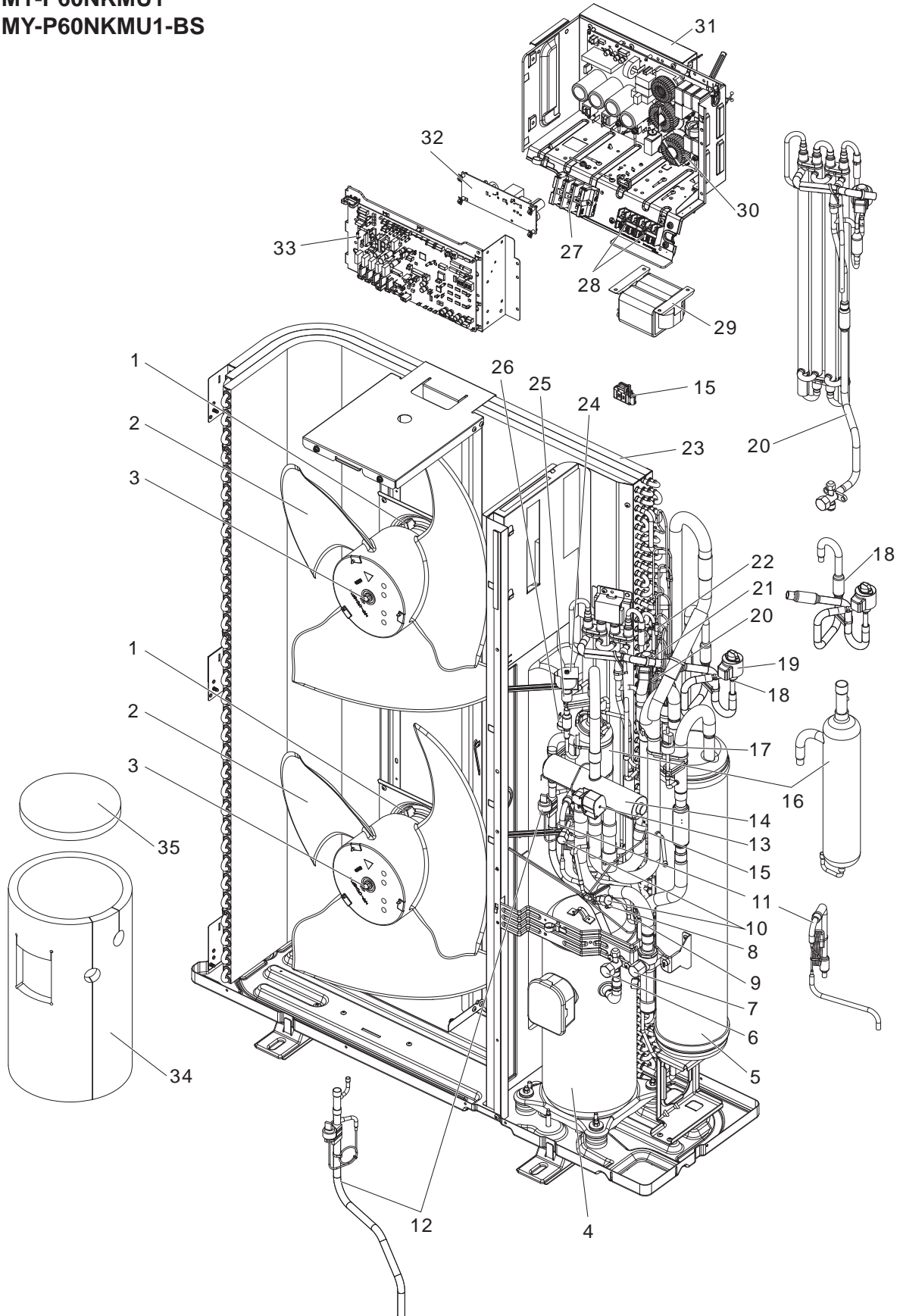
RoHS PARTS LIST

Part numbers that are circled are not shown in the figure.

No.	RoHS	Part No.	Part Name	Specification	Q'ty/unit		Remarks (Drawing No.)	Wiring Diagram Symbol	Recom- mended Q'ty
					PUMY-P60NKMU1	PUMY-P60NKMU1-BS			
1	G	R01 E30 662	SIDE PANEL (L)			1			
2	G	R01 E73 691	WIRE GRILLE			2			
3	G	R01 E23 668	FRONT PANEL			1			
4	G	T7W E04 617	CONDUIT PLATE			1			
5	G	R01 E53 686	BASE ASSY			1			
6	G	R01 E35 658	COVER PANEL (FRONT)			1			
7	G	R01 E36 658	COVER PANEL (REAR)			1			
8	G	R01 E05 655	HANDLE (FRONT)			2			
9	G	R01 E06 655	HANDLE (REAR)			2			
10	G	R01 A06 005	BRAND LABEL	CITY MULTI		1			
11	G	T7W E36 661	SIDE PANEL (R)			1			
12	G	T7W E20 668	SERVICE PANEL			1			
13	G	R01 E10 698	REAR GUARD			1			
14	G	R01 E36 641	TOP PANEL			1			
15	G	R01 E60 130	MOTOR SUPPORT			1			
16	G	R01 E02 631	ICE GUARD			2			

RoHS PARTS LIST

1-2. FUNCTIONAL PARTS PUMY-P60NKMU1 PUMY-P60NKMU1-BS



RoHS PARTS LIST

Part numbers that are circled are not shown in the figure.

No.	RoHS	Part No.	Part Name	Specification	Q'ty/unit	Remarks (Drawing No.)	Wiring Diagram Symbol	Recom- mended Q'ty
					PUMY-P60NKKMU1 PUMY-P60NKKMU1-BS			
1	G	T7W A06 221	FAN MOTOR		2		MF1, 2	
2	G	R01 E14 115	PROPELLER FAN		2			
3	G	R01 E09 097	NUT		2			
4	G	T97 415 789	COMPRESSOR	ANB66FFZMT	1	Including RUBBER MOUNT	MC	
5	G	R01 E67 440	ACCUMULATOR		1			
6	G	T7W E04 410	STOP VALVE 3/8F	3/8 (LIQUID)	1			
7	G	T7W E07 411	BALL VALVE 3/4F	3/4 (GAS)	1			
8	G	R01 E36 201	THERMISTOR	Compressor	1		TH4	
9	G	R01 H97 202	THERMISTOR	Hic Pipe	1		TH2	
10	G	R01 E12 413	CHARGE PLUG		2			
11	G	T7W A03 426	CT ASSY	$\phi 2.5 \times \phi 0.8 \times 800\text{mm}$	1			
12	G	T7W E12 208	HIGH PRESSURE SENSOR ASSY		1		63HS	
13	G	T7W E90 242	SOLENOID COIL (4-WAY VALVE)		1		21S4	
14	G	R01 E36 403	4-WAY VALVE		1			
15	G	R01 H99 202	THERMISTOR	Suction Pipe, Ambient	1	Combiend Port	TH6, 7	
16	G	R01 E14 490	OIL SEPARATOR		1			
17	G	R01 E03 209	LOW PRESSURE SENSOR		1		63LS	
18	G	T7W E61 401	LEV-A ASSY		1	Including LEV COIL		
19	G	R01 H39 242	LEV COIL	UKV type	1	WHITE	LEV-A	
20	G	T7W E81 401	LEV-B ASSY		1	Including LEV COIL and STOP VALVE		
21	G	R01 H32 242	LEV COIL	CAM type	1	RED	LEV-B	
22	G	R01 H87 202	THERMISTOR	Outdoor Liquid Pipe	1		TH3	
23	G	T7W E82 408	HEAT EXCHANGER		1			
24	G	T7W E91 242	SOLENOID COIL		1	GRAY	SV1	
25	G	T7W A04 426	SV-CT ASSY	Bypass Valve (SV1)	1			
26	G	T7W E07 208	HIGH PRESSURE SWITCH		1		63H	
27	G	T7W 603 246	TERMINAL BLOCK	3P (L1, L2, GR)	1		TB1	
28	G	R01 E27 246	TERMINAL BLOCK	3P (M1, M2, S)	2		TB3, TB7	
29	G	T7W E23 259	REACTOR		1		DCL	
30	G	T7W AY0 323	POWER CIRCUIT BOARD		1		P.B.	
31	G	R01 A10 371	HEAT SINK		1			
32	G	R01 E06 311	M-NET POWER BOARD		1		M-NET P.B.	
33	G	T7W GG2 315	MULTI CONTROLLER CIRCUIT BOARD		1		MULTI.B	
34	G	R01 A71 602	COMP FELT (BODY)		1			
35	G	R01 A57 602	COMP FELT (TOP)		1			
36	G	T7W A05 510	LEAD ASSY COMP		1			
37	G	R01 E14 239	FUSE	6.3A 250V	2		F1, F2	

2

OPTIONAL PARTS

DRAIN SOCKET

Part No.	PAC-SG61DS-E
----------	--------------

AIR OUTLET GUIDE

Part No.	PAC-SH96SG-E
----------	--------------

Note: Need 2 pieces.

AIR PROTECT GUIDE

Part No.	PAC-SH95AG-E
----------	--------------

Note: Need 2 pieces.

CENTRALIZED DRAIN PAN

Part No.	PAC-SH97DP-E
----------	--------------

BRANCH PIPE (Joint)

Part No.	NUMBER OF BRANCHING POINTS
CMY-Y62-G-E	2
CMY-Y64-G-E	4
CMY-Y68-G-E	8

DEFROST HEATER

Part No.	PAC-SJ20BH-E
----------	--------------

JOINT PIPE (Unit → Extension pipe)

Part No.	
	MAC-A454JP-E (ϕ 9.52 [3/8] → ϕ 12.7 [1/2])
	PAC-SG75RJ-E (ϕ 15.88 [5/8] → ϕ 19.05 [3/4])
	PAC-SG76RJ-E (ϕ 9.52 [3/8] → ϕ 15.88 [5/8])
	PAC-493PI (ϕ 6.35 [1/4] → ϕ 9.52 [3/8])
	MAC-A456JP-E (ϕ 12.7 [1/2] → ϕ 15.88 [5/8])

EXTERNAL LEV BOX

Part No.	PAC-SG95LE-E
----------	--------------

MITSUBISHI ELECTRIC CORPORATION

HEAD OFFICE : TOKYO BUILDING, 2-7-3, MARUNOUCHI, CHIYODA-KU, TOKYO 100-8310, JAPAN