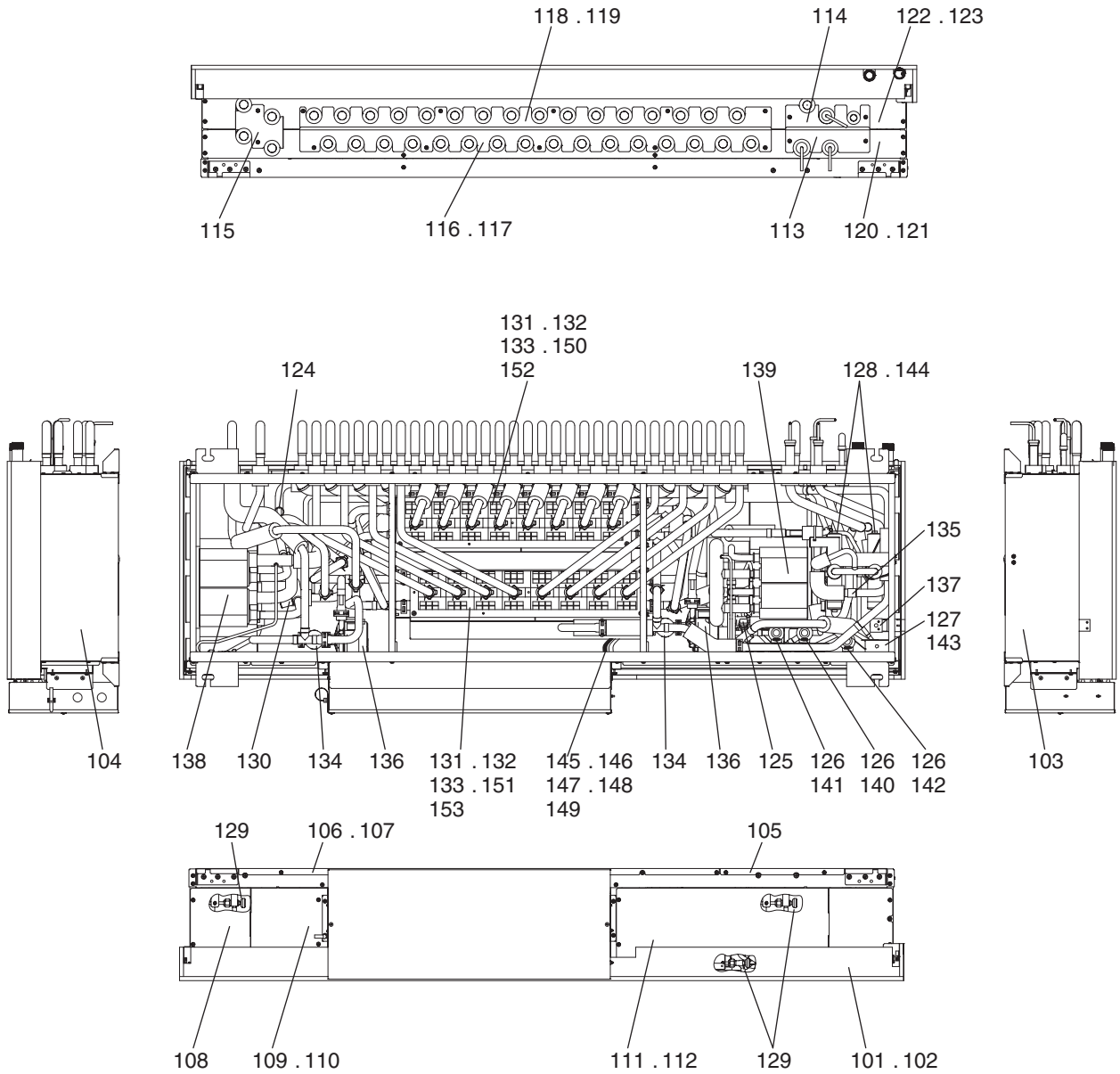


SERVICE PARTS LIST FOR MITSUBISHI ELECTRIC PACKAGED AIR-CONDITIONERS

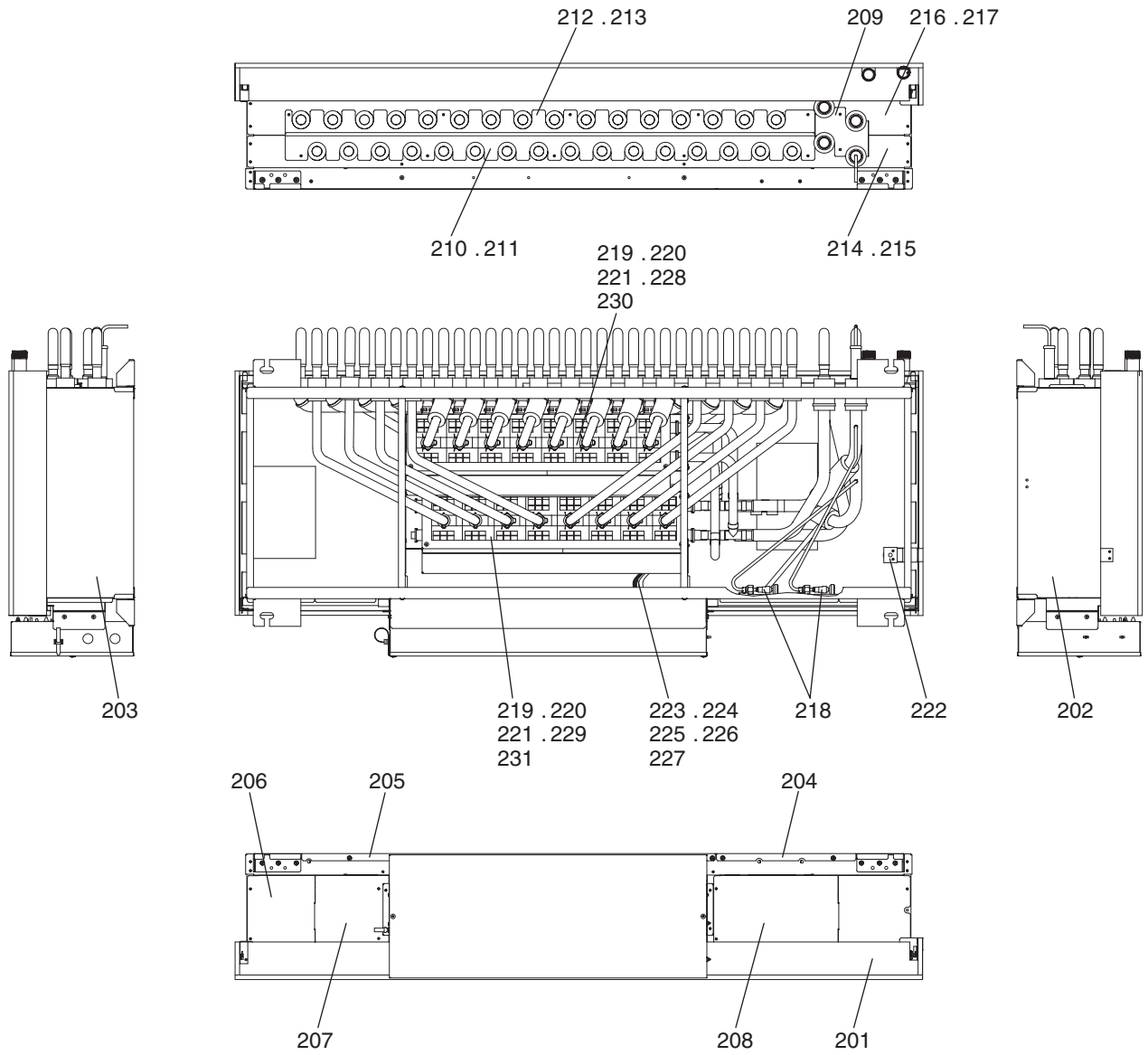
Series : CMB

Dec. 2022
BWE022270

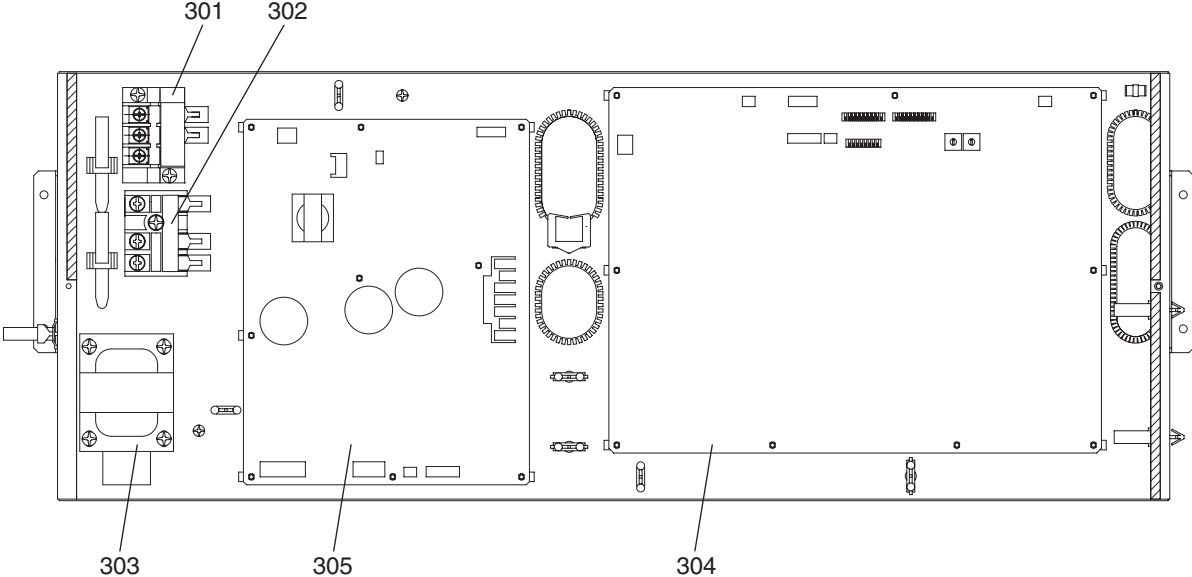
INDEX
CMB-WP108NU-AA
CMB-WP1016NU-AA
CMB-WP108NU-AB
CMB-WP1016NU-AB



No.	Part No.	Part Name	Spec.	CMB-WP108NU-AA	CMB-WP1016NU-AA					Dwg. No.	Notes for the models	Revision info.
101	R61 240 529	Drain pan			1					KD00V192G01		
102	R61 241 529	Drain pan		1						KD00V192G02		
103	R61 324 651	Panel SL		1	1					KB02V561H02		
104	R61 325 651	Panel SR		1	1					KB02V562H02		
105	R61 326 651	Panel TL		1	1					KJ02R327H02		
106	R61 327 651	Panel TR			1					KB02V901H01		
107	R61 328 651	Panel TR		1						KJ02R347H02		
108	R61 178 690	Cover BR L		1	1					KJ02T513H01		
109	R61 179 690	Cover BR R			1					KJ02T536H01		
110	R61 180 690	Cover BR R		1						KJ02T514H01		
111	R61 181 690	Cover BL L			1					KJ02T535H01		
112	R61 182 690	Cover BL L		1						KJ02T511H01		
113	R61 183 690	Cover SL U		1	1					KD02S572H01		
114	R61 184 690	Cover SL B		1	1					KD02S571H01		
115	R61 199 690	Cover SL		1	1					KJ02F088H01		
116	R61 186 690	Cover MU			1					KJ02R330H01		
117	R61 187 690	Cover MU		1						KJ02R349H01		
118	R61 188 690	Cover MB			1					KJ02R329H01		
119	R61 189 690	Cover MB		1						KJ02R348H01		
120	R61 528 651	Panel FU			1					KB02V573H04		
121	R61 529 651	Panel FU		1						KB02V581H04		
122	R61 531 651	Panel FB			1					KB02V572H04		
123	R61 530 651	Panel FB		1						KB02V580H04		
124	R61 117 288	Pressure sensor	HP D272	1	1					KD00U849G05	<PS1>	
125	R61 118 288	Pressure sensor	HP D272	1	1					KD00U849G06	<PS3>	
126	R61 107 401	Linear expansion valve	PAM-BB0YGMD-2	3	3					KR50C486H01	<LEV1 ~ 3>	
127	R63 4F3 232	Solenoid valve	ATS-B7SMD-2	1	1					P631290X01	<SV>	
128	R61 014 403	Four way valve	STF-H0421	2	2					P633131X01	<21S4>	
129	R61 024 410	Air purge valve		3	3					KD00U871G02		
130	R61 014 410	Relief valve		1	1					P634030X01		
131	R61 023 326	Clip	5pcs	10	13					KD00F663G01		
132	R61 001 574	O-ring	10pcs 15.8	10	13					KD00F664G01		
133	R61 004 532	Nipple	5pcs	10	13					KD00F665G02		
134	R61 011 454	Strainer		2	2					P641139X01		
135	R63 Y03 454	Strainer		1	1					W893281G01		
136	R61 019 539	Pump		2	2					P722134X02		
137	R61 039 541	Float switch		1	1					KD00F457G06		
138	R61 L89 480	Plate HEX assy H		1	1					KB00C20QG01		
139	R61 M18 480	Plate HEX assy C		1	1					KS00C224G03		
140	R61 100 243	Solenoid coil	PAM-MD12MD-12	1	1					KD00F455G13	<LEV1>	
141	R61 101 243	Solenoid coil	PAM-MD12MD-13	1	1					KD00F455G14	<LEV2>	
142	R61 102 243	Solenoid coil	PAM-MD12MD-14	1	1					KD00F455G15	<LEV3>	
143	R61 076 243	Solenoid coil	A20-1B02B-1	1	1					P472123X01	<SV>	
144	R61 040 243	Solenoid coil	STF-H01AQ1969UA1	2	2					P472095X01	<21S4>	
145	R61 103 287	Sensor assy		1	1					KD00V254G01	<TH11 ~ 16,32,33>	



No.	Part No.	Part Name	Spec.	CMB-WP108NU-AB	CMB-WP1016NU-AB					Dwg. No.	Notes for the models	Revision info.
202	R61 324 651	Panel SL		1	1					KB02V561H02		
203	R61 325 651	Panel SR		1	1					KB02V562H02		
204	R61 326 651	Panel TL		1	1					KJ02R327H02		
205	R61 328 651	Panel TR		1	1					KJ02R347H02		
206	R61 178 690	Cover BR L		1	1					KJ02T513H01		
207	R61 180 690	Cover BR R		1	1					KJ02T514H01		
208	R61 182 690	Cover BL L		1	1					KJ02T511H01		
209	R61 185 690	Cover SL		1	1					KD02S619H01		
210	R61 186 690	Cover MU			1					KJ02R330H01		
211	R61 187 690	Cover MU		1						KJ02R349H01		
212	R61 188 690	Cover MB			1					KJ02R329H01		
213	R61 189 690	Cover MB		1						KJ02R348H01		
214	R61 532 651	Panel FU		1						KB02V623H02		
215	R61 533 651	Panel FU			1					KB02V621H02		
216	R61 534 651	Panel FB		1						KB02V622H03		
217	R61 535 651	Panel FB			1					KB02V620H03		
218	R61 024 410	Air purge valve		2	2					KD00U871G02		
219	R61 023 326	Clip	5pcs	5	9					KD00F663G01		
220	R61 001 574	O-ring	10pcs 15.8	5	9					KD00F664G01		
221	R61 004 532	Nipple	5pcs	5	9					KD00F665G02		
222	R61 039 541	Float switch		1	1					KD00F457G06		
223	R61 104 287	Sensor assy			1					KD00V255G01	<TH31a ~ d,31m ~ p>	
224	R61 105 287	Sensor assy			1					KD00V250G01	<TH31a ~ d>	
225	R61 108 287	Sensor assy		1	1					KB00C62WG01	<TH32,33>	
226	R61 110 287	Sensor assy			1					KD00V253G01	<TH31e ~ l>	
227	R61 111 287	Sensor assy		1						KD00V252G01	<TH31e ~ h>	
228	R61 030 538	Valve block assy U			1					KB00C4KYG08		
229	R61 031 538	Valve block assy B			1					KB00C4KYG09		
230	R61 028 538	Valve block assy U		1						KB00C4KYG04		
231	R61 029 538	Valve block assy B		1						KB00C4KYG05		



mitsubishi
electric
corporation

BWE022270 (20221231)