

# SERVICE PARTS LIST FOR MITSUBISHI ELECTRIC PACKAGED AIR-CONDITIONERS

**Series : CMB**

REVISED

**June 2008**

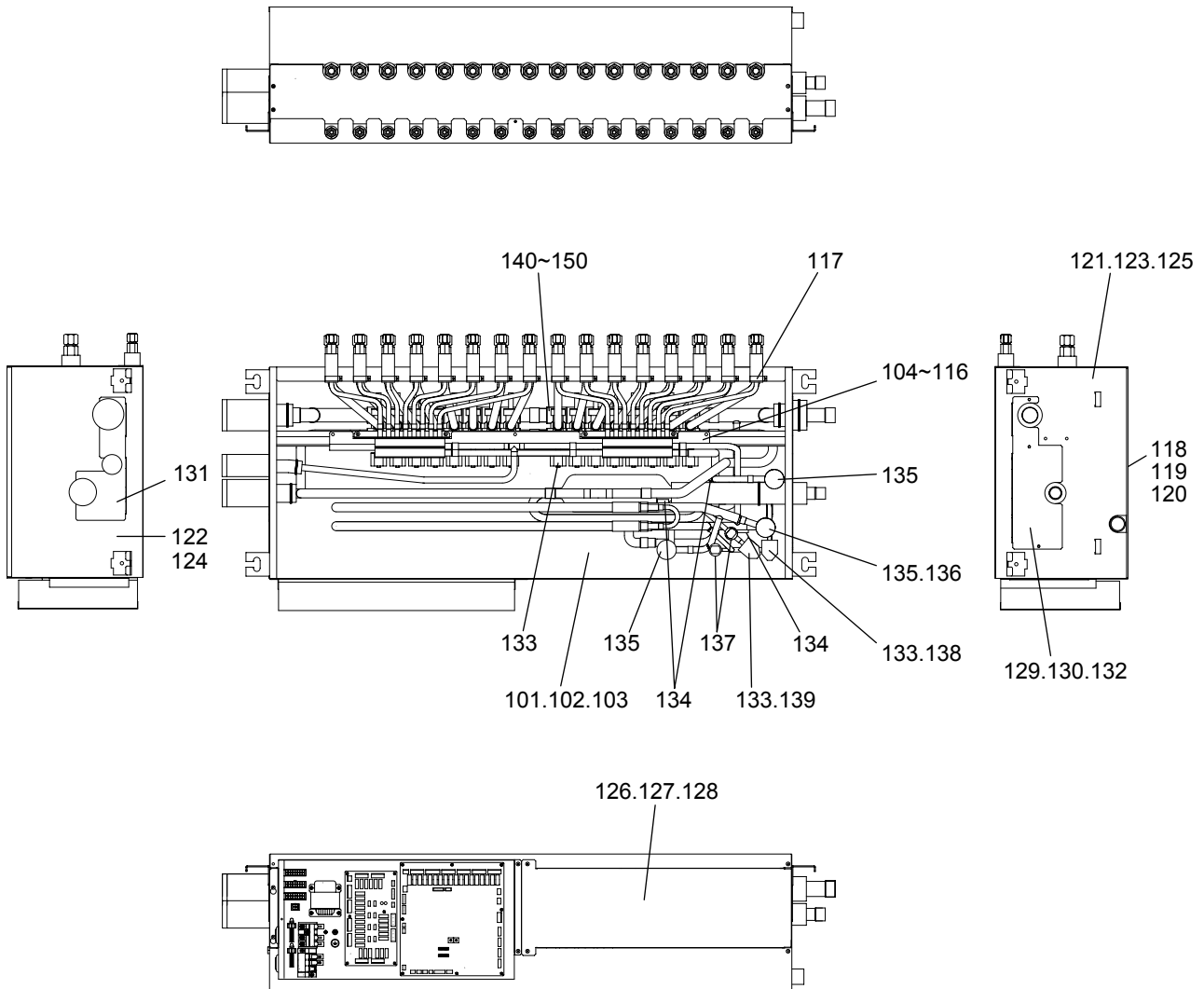
**BWE0507B**

## INDEX

**CMB-P104NU-G  
CMB-P105NU-G  
CMB-P106NU-G  
CMB-P108NU-G  
CMB-P1010NU-G  
CMB-P1013NU-G  
CMB-P1016NU-G  
CMB-P108NU-GA  
CMB-P1010NU-GA  
CMB-P1013NU-GA  
CMB-P1016NU-GA  
CMB-P104NU-GB  
CMB-P108NU-GB**



CMB-P104,P105,P106,P108,P1010,P1013,P1016NU-G    EXTERNAL PARTS & FUNCTIONAL PARTS  
 CMB-P108,P1010,P1013,P1016NU-GA  
 CMB-P104,P108NU-GB

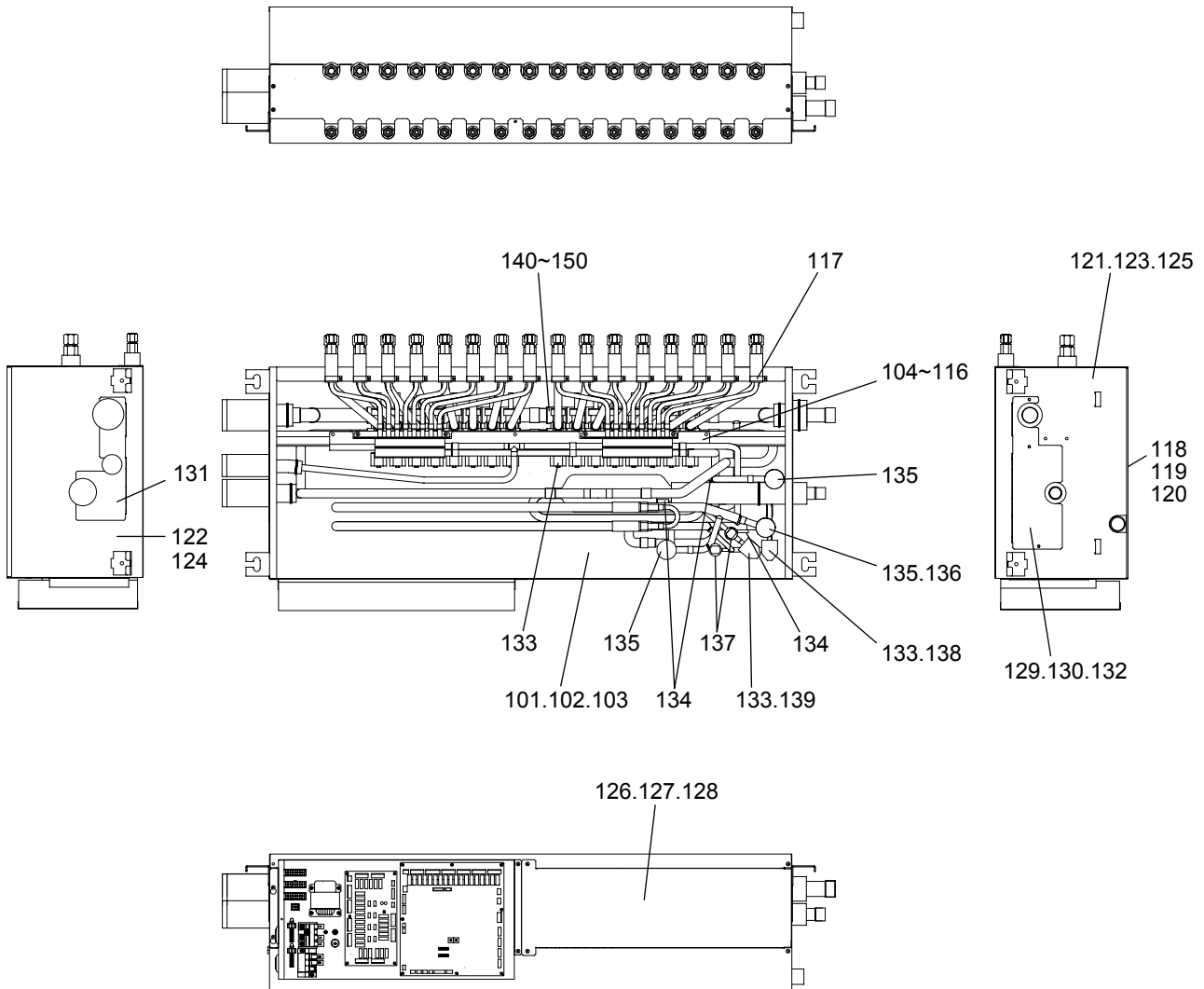


No.	Part No.	G : RoHS Apply Only W : RoHS Apply by Running Change		Spec.	CMB-P104NU-G	CMB-P105NU-G	CMB-P106NU-G	CMB-P108NU-G		Dwg. No.	Price	Revision History
			Part Name									
101	R61 Y27 529	W	Drain pan		1	1	1	1		W663337G04		
102	R61 Y28 529	W	Drain pan							W663337G05		
103	R61 Y29 529	W	Drain pan							W663337G06		
104	R61 014 125	G	Beam assy 4		1					KB00L864G06		B
105	R61 015 125	G	Beam assy 5			1				KB00L864G07		B
106	R61 016 125	G	Beam assy 6				1			KB00L864G08		B
107	R61 017 125	G	Beam assy 8					1		KB00L864G09		B
108	R61 018 125	G	Beam assy 10							KB00L864G10		B
109	R61 019 125	G	Beam assy 13							KB00L865G03		B
110	R61 020 125	G	Beam assy 16							KB00L865G04		B

CMB-P104,P105,P106,P108,P1010,P1013,P1016NU-G EXTERNAL PARTS & FUNCTIONAL PARTS  
 CMB-P108,P1010,P1013,P1016NU-GA  
 CMB-P104,P108NU-GB

No.	Part No.	G : RoHS Apply Only W : RoHS Apply by Running Change		Spec.	CMB-P104NU-G	CMB-P105NU-G	CMB-P106NU-G	CMB-P108NU-G			Dwg. No.	Price	Revision History
			Part Name										
111	R61 021 125	G	Beam assy 8FA								KB00L866G05		B
112	R61 022 125	G	Beam assy 10FA								KB00L866G06		B
113	R61 023 125	G	Beam assy 13FA								KB00L866G07		B
114	R61 024 125	G	Beam assy 16FA								KB00L866G08		B
115	R61 025 125	G	Beam assy 4								KB00L862G11		B
116	R61 026 125	G	Beam assy 8								KB00L862G12		B
117	R63 H35 306	G	Fixture		4	5	6	8			W875562H01		
118	R63 M77 653	G	Panel U F104		1	1	1	1			W646945H01		
119	R63 M82 653	G	Panel U F1013								W646945H02		
120	R63 M84 653	G	Panel U FA108								W646945H03		
121	R61 Y17 652	W	Panel SL		1	1	1	1			W647659H02		
122	R61 Y18 652	W	Panel SR		1	1	1	1			W648600H03		B
123	R61 Y39 652	W	Panel SL								W661883H02		
124	R61 Y40 652	W	Panel SR								W661884H02		
125	R61 Y41 652	W	Panel SL								W662535H03		B
126	R63 M77 690	G	Cover B F104		1	1	1	1			W893271H06		
127	R63 M82 690	G	Cover B F1013								W893271H07		
128	R63 M84 690	G	Cover B FA108								W893271H08		
129	R63 M77 667	G	Cover L		1	1	1	1			W893273H01		
130	R63 M84 667	G	Cover L								W893268H01		
131	R63 M84 668	G	Cover R								W893269H01		
132	R63 M88 668	G	Cover FB								W893270H01		
133	R61 2A1 243	W	Solenoid valve coil		13	16	19	25			P472011X01		
134	R63 670 202	G	Thermistor	NTH3A14	4	4	4	4			P425496X01		
135	R61 008 401	G	Linear expansion valve	EFMA YGMD	2	2	2	2			P632458X01		B
136	R61 009 401	G	Linear expansion valve	EFM4 YGMD							P632457X01		B
137	R63 R34 288	G	Pressure sensor		2	2	2	2			P418015X01		
138	R63 Y07 232	G	Solenoid valve								P631291X01		B
139	R63 4F3 232	G	Solenoid valve		1	1	1	1			P631290X01		
140	R61 009 232	W	Solenoid valve block assy		1						W658176G01		
141	R61 010 232	W	Solenoid valve block assy			1					W658176G02		
142	R61 011 232	W	Solenoid valve block assy				1				W658176G03		
143	R61 012 232	W	Solenoid valve block assy					1			W658176G04		
144	R61 013 232	W	Solenoid valve block assy								W658176G05		
145	R61 014 232	W	Solenoid valve block assy								W658178G01		
146	R61 015 232	W	Solenoid valve block assy								W658178G02		
147	R61 016 232	W	Solenoid valve block assy								W658176G06		
148	R61 017 232	W	Solenoid valve block assy								W658176G07		
149	R61 018 232	W	Solenoid valve block assy								W658178G03		
150	R61 019 232	W	Solenoid valve block assy								W658178G04		

CMB-P104,P105,P106,P108,P1010,P1013,P1016NU-G    EXTERNAL PARTS & FUNCTIONAL PARTS  
 CMB-P108,P1010,P1013,P1016NU-GA  
 CMB-P104,P108NU-GB

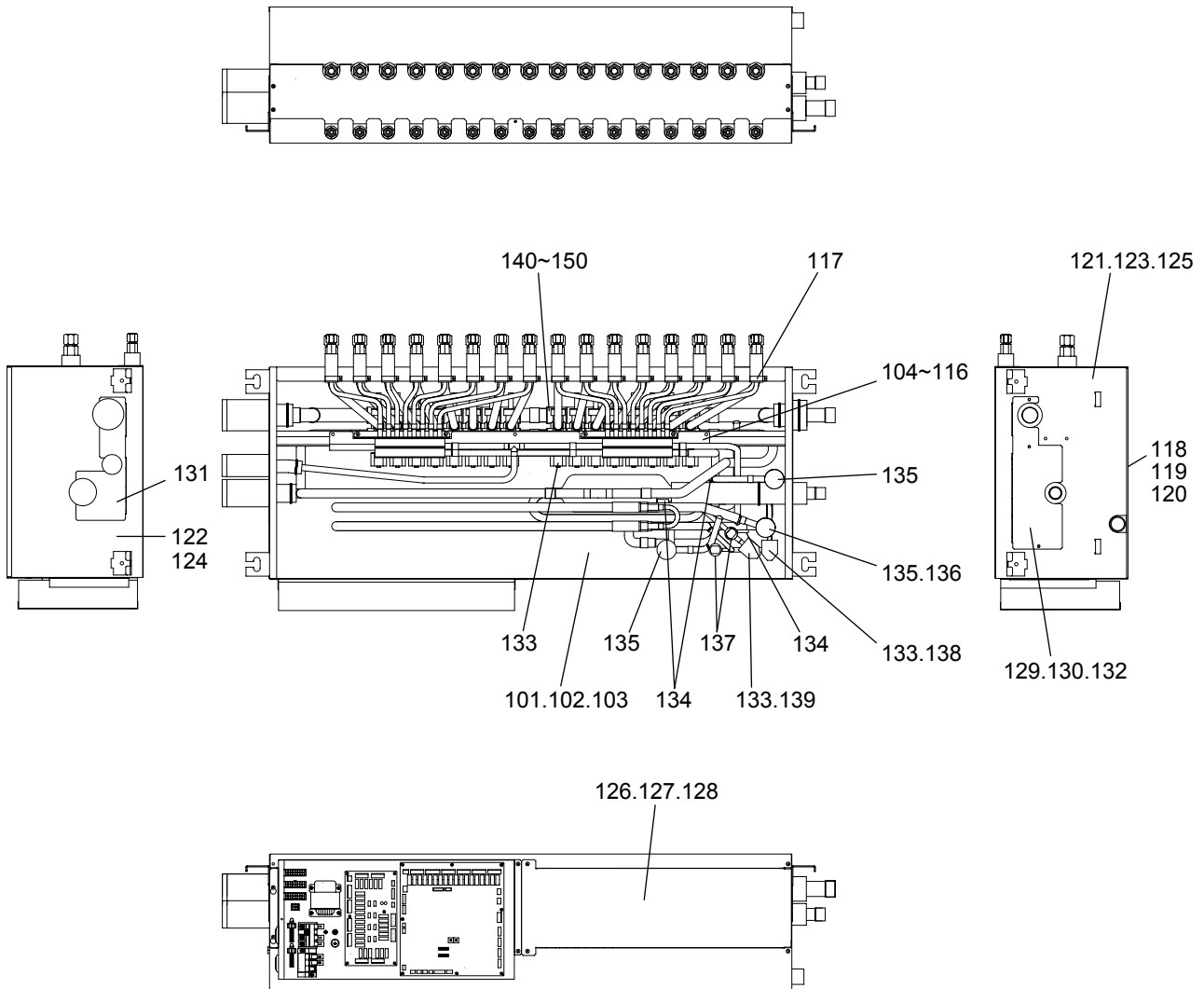


No.	Part No.	G : RoHS Apply Only W : RoHS Apply by Running Change		Spec.	CMB-P1010NU-G	CMB-P1013NU-G	CMB-P1016NU-G			Dwg. No.	Price	Revision History
			Part Name									
101	R61 Y27 529	W	Drain pan		1					W663337G04		
102	R61 Y28 529	W	Drain pan			1	1			W663337G05		
103	R61 Y29 529	W	Drain pan							W663337G06		
104	R61 014 125	G	Beam assy 4							KB00L864G06		B
105	R61 015 125	G	Beam assy 5							KB00L864G07		B
106	R61 016 125	G	Beam assy 6							KB00L864G08		B
107	R61 017 125	G	Beam assy 8							KB00L864G09		B
108	R61 018 125	G	Beam assy 10		1					KB00L864G10		B
109	R61 019 125	G	Beam assy 13			1				KB00L865G03		B
110	R61 020 125	G	Beam assy 16				1			KB00L865G04		B

CMB-P104,P105,P106,P108,P1010,P1013,P1016NU-G EXTERNAL PARTS & FUNCTIONAL PARTS  
 CMB-P108,P1010,P1013,P1016NU-GA  
 CMB-P104,P108NU-GB

No.	Part No.	G : RoHS Apply Only W : RoHS Apply by Running Change		Spec.	CMB-P1010NU-G	CMB-P1013NU-G	CMB-P1016NU-G				Dwg. No.	Price	Revision History
			Part Name										
111	R61 021 125	G	Beam assy 8FA								KB00L866G05		B
112	R61 022 125	G	Beam assy 10FA								KB00L866G06		B
113	R61 023 125	G	Beam assy 13FA								KB00L866G07		B
114	R61 024 125	G	Beam assy 16FA								KB00L866G08		B
115	R61 025 125	G	Beam assy 4								KB00L862G11		B
116	R61 026 125	G	Beam assy 8								KB00L862G12		B
117	R63 H35 306	G	Fixture		10	13	16				W875562H01		
118	R63 M77 653	G	Panel U F104		1						W646945H01		
119	R63 M82 653	G	Panel U F1013			1	1				W646945H02		
120	R63 M84 653	G	Panel U FA108								W646945H03		
121	R61 Y17 652	W	Panel SL		1	1	1				W647659H02		
122	R61 Y18 652	W	Panel SR		1	1	1				W648600H03		B
123	R61 Y39 652	W	Panel SL								W661883H02		
124	R61 Y40 652	W	Panel SR								W661884H02		
125	R61 Y41 652	W	Panel SL								W662535H03		B
126	R63 M77 690	G	Cover B F104		1						W893271H06		
127	R63 M82 690	G	Cover B F1013			1	1				W893271H07		
128	R63 M84 690	G	Cover B FA108								W893271H08		
129	R63 M77 667	G	Cover L		1	1	1				W893273H01		
130	R63 M84 667	G	Cover L								W893268H01		
131	R63 M84 668	G	Cover R								W893269H01		
132	R63 M88 668	G	Cover FB								W893270H01		
133	R61 2A1 243	W	Solenoid valve coil		31	40	49				P472011X01		
134	R63 670 202	G	Thermistor	NTH3A14	4	4	4				P425496X01		
135	R61 008 401	G	Linear expansion valve	EFMA YGMD	2	2	2				P632458X01		B
136	R61 009 401	G	Linear expansion valve	EFM4 YGMD							P632457X01		B
137	R63 R34 288	G	Pressure sensor		2	2	2				P418015X01		
138	R63 Y07 232	G	Solenoid valve								P631291X01		B
139	R63 4F3 232	G	Solenoid valve		1	1	1				P631290X01		
140	R61 009 232	W	Solenoid valve block assy								W658176G01		
141	R61 010 232	W	Solenoid valve block assy								W658176G02		
142	R61 011 232	W	Solenoid valve block assy								W658176G03		
143	R61 012 232	W	Solenoid valve block assy								W658176G04		
144	R61 013 232	W	Solenoid valve block assy		1						W658176G05		
145	R61 014 232	W	Solenoid valve block assy			1					W658178G01		
146	R61 015 232	W	Solenoid valve block assy				1				W658178G02		
147	R61 016 232	W	Solenoid valve block assy								W658176G06		
148	R61 017 232	W	Solenoid valve block assy								W658176G07		
149	R61 018 232	W	Solenoid valve block assy								W658178G03		
150	R61 019 232	W	Solenoid valve block assy								W658178G04		

CMB-P104,P105,P106,P108,P1010,P1013,P1016NU-G    EXTERNAL PARTS & FUNCTIONAL PARTS  
 CMB-P108,P1010,P1013,P1016NU-GA  
 CMB-P104,P108NU-GB

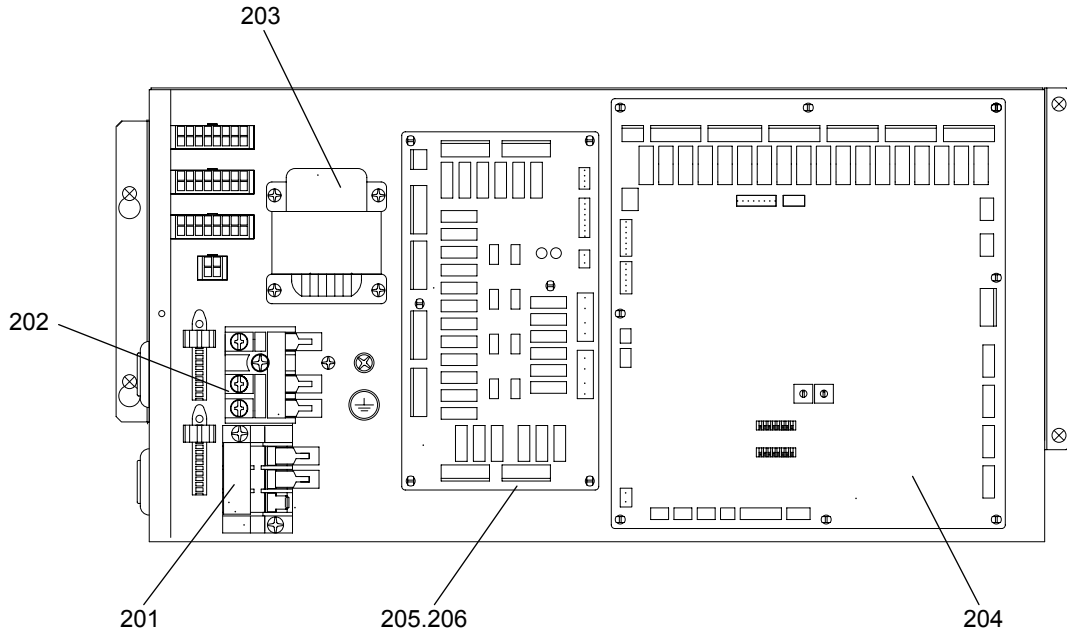


No.	Part No.	G : RoHS Apply Only W : RoHS Apply by Running Change		Spec.	CMB-P108NU-GA	CMB-P1010NU-GA	CMB-P1013NU-GA	CMB-P1016NU-GA	CMB-P104NU-GB	CMB-P108NU-GB	Dwg. No.	Price	Revision History
			Part Name										
101	R61 Y27 529	W	Drain pan						1	1	W663337G04		
102	R61 Y28 529	W	Drain pan								W663337G05		
103	R61 Y29 529	W	Drain pan		1	1	1	1			W663337G06		
104	R61 014 125	G	Beam assy 4								KB00L864G06		B
105	R61 015 125	G	Beam assy 5								KB00L864G07		B
106	R61 016 125	G	Beam assy 6								KB00L864G08		B
107	R61 017 125	G	Beam assy 8								KB00L864G09		B
108	R61 018 125	G	Beam assy 10								KB00L864G10		B
109	R61 019 125	G	Beam assy 13								KB00L865G03		B
110	R61 020 125	G	Beam assy 16								KB00L865G04		B

CMB-P104,P105,P106,P108,P1010,P1013,P1016NU-G    EXTERNAL PARTS & FUNCTIONAL PARTS  
 CMB-P108,P1010,P1013,P1016NU-GA  
 CMB-P104,P108NU-GB

No.	Part No.	G : RoHS Apply Only W : RoHS Apply by Running Change		Spec.	CMB-P108NU-GA	CMB-P1010NU-GA	CMB-P1013NU-GA	CMB-P1016NU-GA	CMB-P104NU-GB	CMB-P108NU-GB	Dwg. No.	Price	Revision History
			Part Name										
111	R61 021 125	G	Beam assy 8NV-GA		1						KB00L866G05		B
112	R61 022 125	G	Beam assy 10NV-GA			1					KB00L866G06		B
113	R61 023 125	G	Beam assy 13NV-GA				1				KB00L866G07		B
114	R61 024 125	G	Beam assy 16NV-GA					1			KB00L866G08		B
115	R61 025 125	G	Beam assy 4						1		KB00L862G11		B
116	R61 026 125	G	Beam assy 8							1	KB00L862G12		B
117	R63 H35 306	G	Fixture		8	10	13	16	4	8	W875562H01		
118	R63 M77 653	G	Panel U F104						1	1	W646945H01		
119	R63 M82 653	G	Panel U F1013								W646945H02		
120	R63 M84 653	G	Panel U FA108		1	1	1	1			W646945H03		
121	R61 Y17 652	W	Panel SL								W647659H02		
122	R61 Y18 652	W	Panel SR						1	1	W648600H03		B
123	R61 Y39 652	W	Panel SL		1	1	1	1			W661883H02		
124	R61 Y40 652	W	Panel SR		1	1	1	1			W661884H02		
125	R61 Y41 652	W	Panel SL						1	1	W662535H03		B
126	R63 M77 690	G	Cover B F104						1	1	W893271H06		
127	R63 M82 690	G	Cover B F1013								W893271H07		
128	R63 M84 690	G	Cover B FA108		1	1	1	1			W893271H08		
129	R63 M77 667	G	Cover L								W893273H01		
130	R63 M84 667	G	Cover L		1	1	1	1			W893268H01		
131	R63 M84 668	G	Cover R		1	1	1	1			W893269H01		
132	R63 M88 668	G	Cover FB						1	1	W893270H01		
133	R61 2A1 243	W	Solenoid valve coil		26	32	41	50	12	24	P472011X01		
134	R63 670 202	G	Thermistor	NTH3A14	4	4	4	4	2	2	P425496X01		
135	R61 008 401	G	Linear expansion valve	EFMA YGMD	3	3	3	3			P632458X01		B
136	R61 009 401	G	Linear expansion valve	EFM4 YGMD					1	1	P632457X01		B
137	R63 R34 288	G	Pressure sensor		2	2	2	2			P418015X01		
138	R63 Y07 232	G	Solenoid valve		1	1	1	1			P631291X01		B
139	R63 4F3 232	G	Solenoid valve		1	1	1	1			P631290X01		
140	R61 009 232	W	Solenoid valve block assy						1		W658176G01		
141	R61 010 232	W	Solenoid valve block assy								W658176G02		
142	R61 011 232	W	Solenoid valve block assy								W658176G03		
143	R61 012 232	W	Solenoid valve block assy							1	W658176G04		
144	R61 013 232	W	Solenoid valve block assy								W658176G05		
145	R61 014 232	W	Solenoid valve block assy								W658178G01		
146	R61 015 232	W	Solenoid valve block assy								W658178G02		
147	R61 016 232	W	Solenoid valve block assy		1						W658176G06		
148	R61 017 232	W	Solenoid valve block assy			1					W658176G07		
149	R61 018 232	W	Solenoid valve block assy				1				W658178G03		
150	R61 019 232	W	Solenoid valve block assy					1			W658178G04		

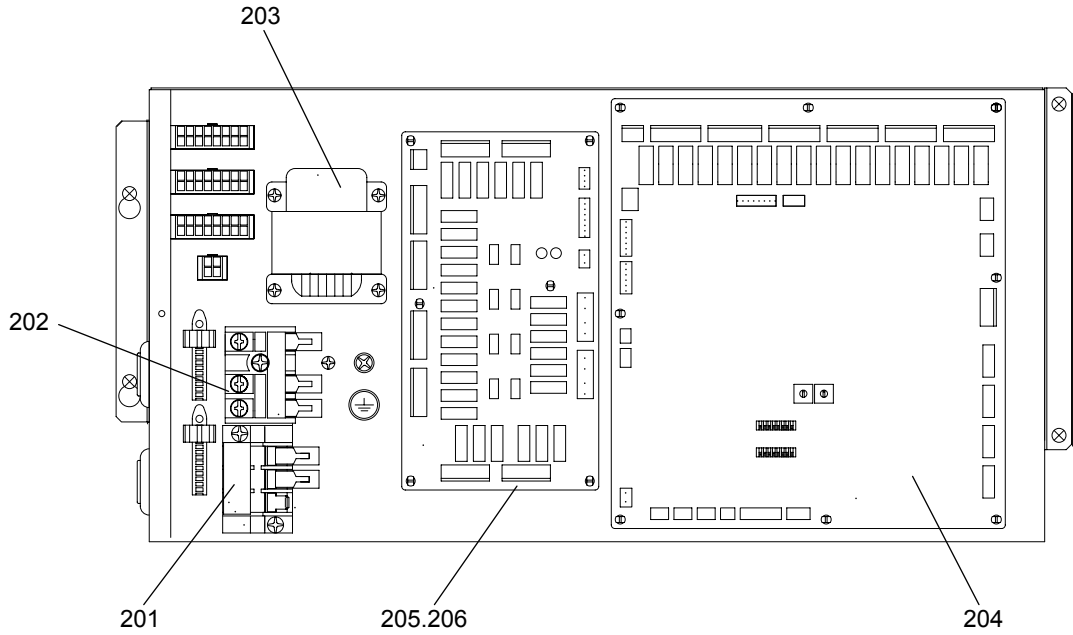
CMB-P104,P105,P106,P108,P1010,P1013,P1016NU-G CONTROL BOX PARTS  
 CMB-P108,P1010,P1013,P1016NU-GA  
 CMB-P104,P108NU-GB



No.	Part No.	G : RoHS Apply Only W : RoHS Apply by Running Change		Spec.	CMB-P104NU-G	CMB-P105NU-G	CMB-P106NU-G	CMB-P108NU-G		Dwg. No.	Price	Revision History
			Part Name									
201	R63 Y02 715	G	Terminal block	3P,<TB01>	1	1	1	1		W834188H02		
202	R63 979 247	G	Terminal block	<TB02>	1	1	1	1		P436110X01		
203	R61 Y21 260	W	Transformer	230V/24.2V	1	1	1	1		P715355X01		
204	R61 2A1 280	G	Board assy	CMB	1	1	1	1		W266227G07		
205	R63 M80 280	G	Board assy	RELAY4-10				1		W629542G01		
206	R63 M82 280	G	Board assy	RELAY10-16						W629543G01		

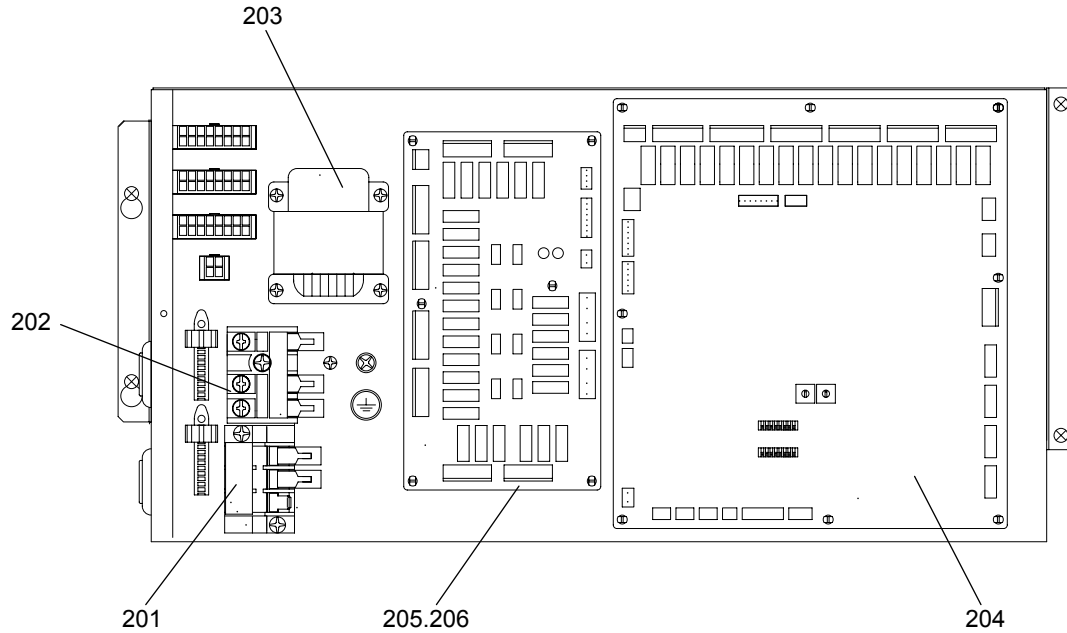


CMB-P104,P105,P106,P108,P1010,P1013,P1016NU-G    CONTROL BOX PARTS  
 CMB-P108,P1010,P1013,P1016NU-GA  
 CMB-P104,P108NU-GB



No.	Part No.	G : RoHS Apply Only W : RoHS Apply by Running Change		Spec.	CMB-P1010NU-G	CMB-P1013NU-G	CMB-P1016NU-G				Dwg. No.	Price	Revision History
			Part Name										
201	R63 Y02 715	G	Terminal block	3P,<TB01>	1	1	1				W834188H02		
202	R63 979 247	G	Terminal block	<TB02>	1	1	1				P436110X01		
203	R61 Y21 260	W	Transformer	230V/24.2V	1	1	1				P715355X01		
204	R61 2A1 280	G	Board assy	CMB	1	1	1				W266227G07		
205	R63 M80 280	G	Board assy	RELAY4-10	1						W629542G01		
206	R63 M82 280	G	Board assy	RELAY10-16		1	1				W629543G01		

CMB-P104,P105,P106,P108,P1010,P1013,P1016NU-G CONTROL BOX PARTS  
 CMB-P108,P1010,P1013,P1016NU-GA  
 CMB-P104,P108NU-GB



No.	Part No.	G : RoHS Apply Only W : RoHS Apply by Running Change	Part Name	Spec.							Dwg. No.	Price	Revision History
					CMB-P108NU-GA	CMB-P1010NU-GA	CMB-P1013NU-GA	CMB-P1016NU-GA	CMB-P104NU-GB	CMB-P108NU-GB			
201	R63 Y02 715	G	Terminal block	3P,<TB01>	1	1	1	1	1	1	W834188H02		
202	R63 979 247	G	Terminal block	<TB02>	1	1	1	1	1	1	P436110X01		
203	R61 Y21 260	W	Transformer	230V/24.2V	1	1	1	1	1	1	P715355X01		
204	R61 2A1 280	G	Board assy	CMB	1	1	1	1	1	1	W266227G07		
205	R63 M80 280	G	Board assy	RELAY4-10	1	1				1	W629542G01		
206	R63 M82 280	G	Board assy	RELAY10-16			1	1			W629543G01		

