

HAND DRYER

# PARTS CATALOG

---

## MODELS

**JT-SB116JH-G-NA**

**JT-SB116JH-W-NA**



Nameplate

**Warning:**

Repair work must be performed by the manufacturer, its service agent or a similarly qualified person in order to avoid hazards.

**MITSUBISHI ELECTRIC CORPORATION**



# Contents

Parts catalog .....	3-19
JT-SB116JH-G-NA .....	4-11
JT-SB116JH-W-NA .....	12-19

HANDBOOK (U188H)

# Parts catalog

## Please note the following when using the parts catalog.

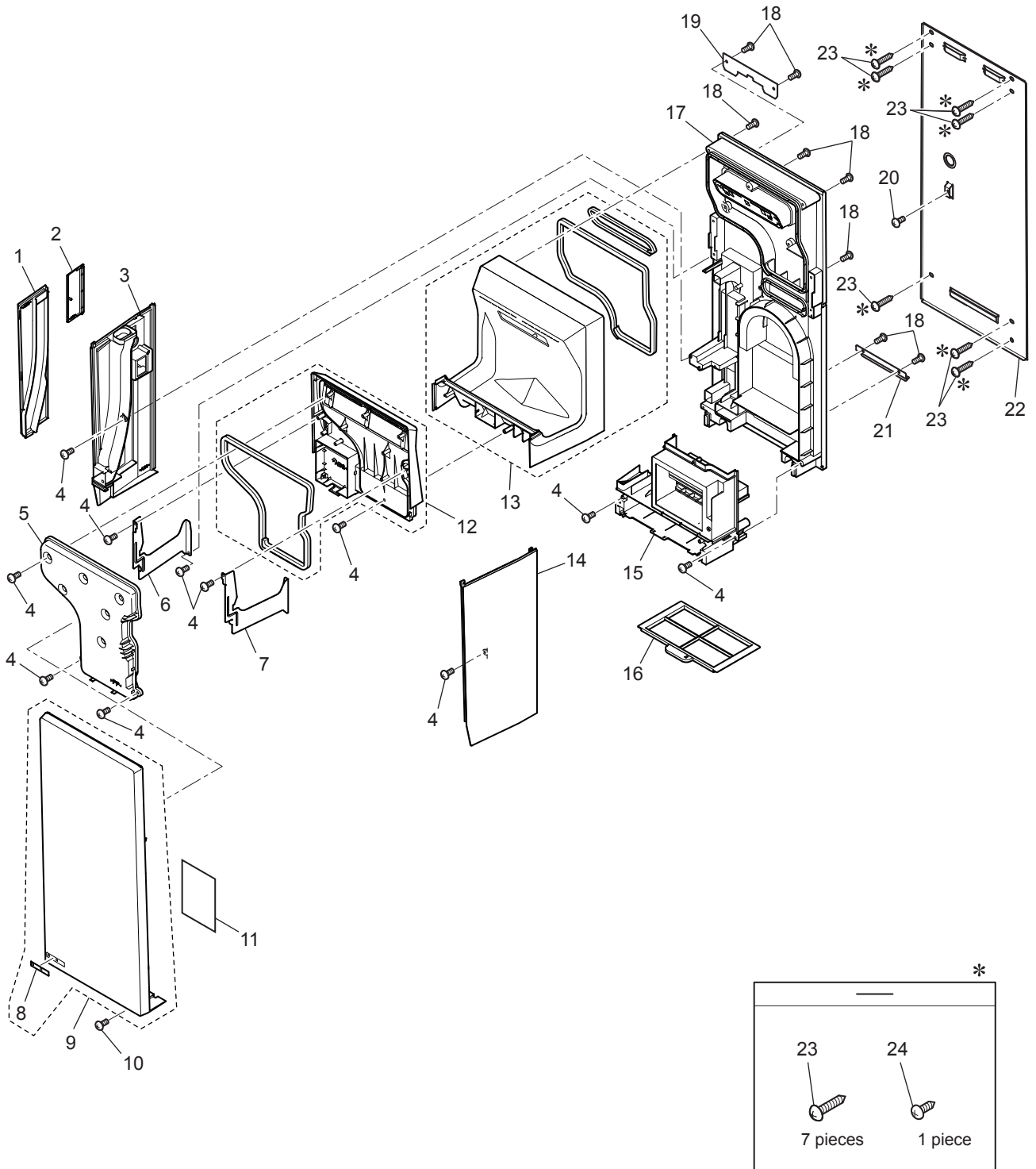
1. When ordering parts, the part number, part name, and the number of parts are required.
2. It may take time for you to receive the parts. Make an inquiry about a rush order.
3. Specifications may be subject to change without notice.
4. Parts marked with  and  are critical for safety.
5. To maintain safety and performance, use the parts specified in the parts catalog.
6. When replacing the parts to which the nameplate is attached, remove the nameplate and attach it to the new parts.

## Description of screw abbreviations



Abbreviation	Description
PC screw	Cross recess flat head machine screw
PRC screw	Cross recess oval head machine screw
PP screw	Cross recess pan head machine screw
SW · PP screw	Cross recess pan head screw with spring washer
PPT screw	Cross recess tapping screw
PCT screw	Cross recess flat head tapping screw
PTT screw	Cross recess truss head tapping screw
PT screw	Cross recess truss head machine screw
SET screw	Slotted head stop screw
SQ · SET screw	Square head stop screw
P · SET screw	Pan head stop screw
PMT screw	Primer truss head screw
HS · SET screw	Hexagon head stop screw
P · R · W screw	Cross recess round wood screw
P · C · W screw	Cross recess flat head wood screw
P · R · C · W screw	Cross recess round and flat wood screw
R · W screw	Slotted round wood screw
PW · PP screw	Cross recess pan head screw with small washer
SW-PW · PP screw	Cross recess pan head machine screw with spring washer and flat washer

# Body parts



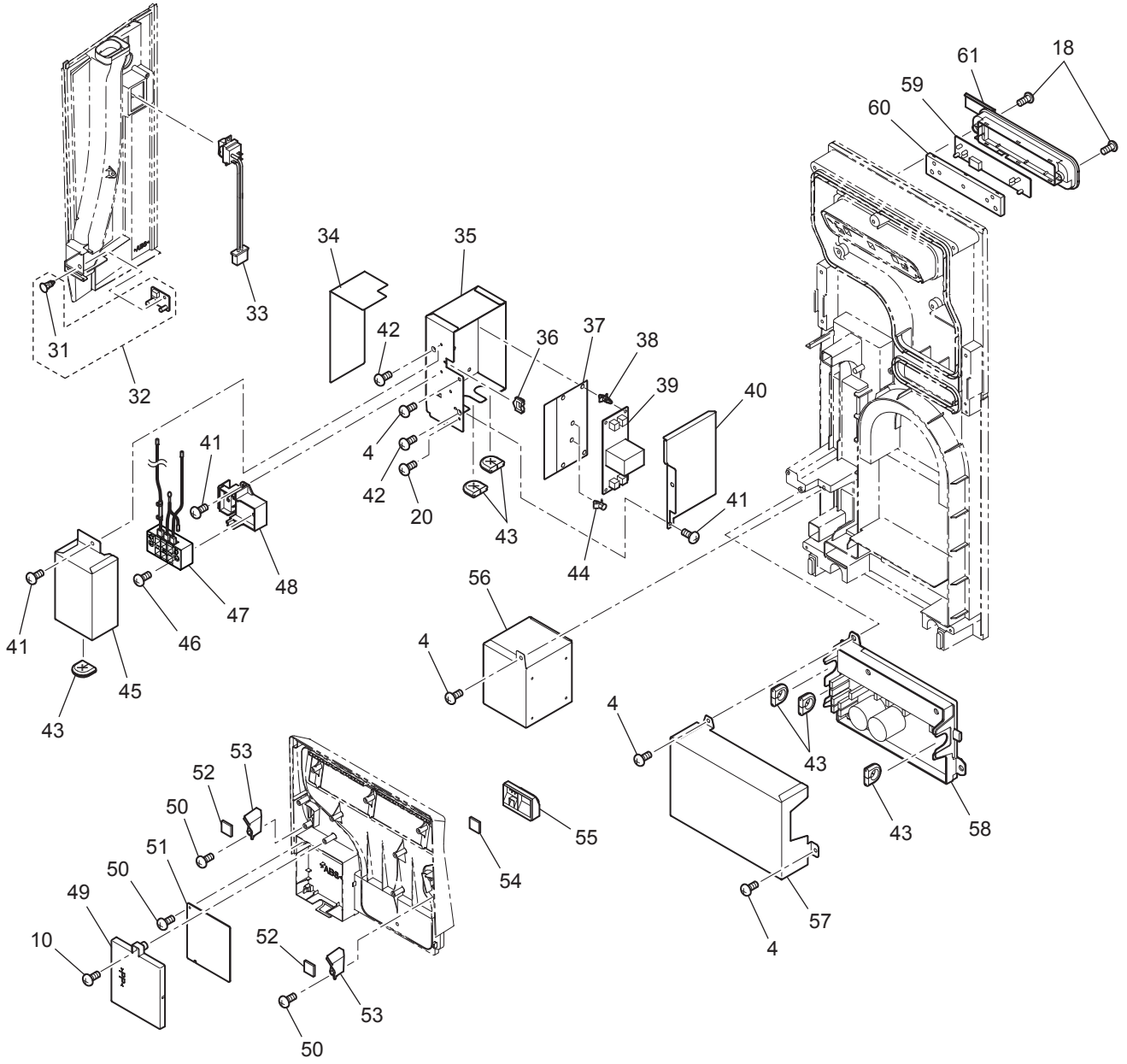
\* shows accessory parts.

## Body parts

JT-SB116JH-G-NA

No.	Name of part	Parts No.	Q'ty pcs/unit	Critical for safety	Remarks
1	Side cover	Y45 628 806	1		
2	Switch door	Y45 628 808	1		
3	Side panel L	Y45 628 807	1		
4	PTT screw 4x16	Y45 650 012	30		
5	Exhaust duct	Y45 622 802	1		
6	Panel holder L	Y45 650 835	1		
7	Panel holder R	Y45 650 836	1		
8	Indicator plate	Y45 623 809	1		
9	Front panel	Y45 623 804	1		Metallic
10	Spl screw 4x16	Y45 650 045	3		
11	Wiring diagram	Y45 628 358	1		
12	Panel (front)	Y45 628 803	1		With packing
13	Panel (back)	Y45 628 801	1		With packing
14	Side panel R	Y45 628 816	1		
15	Cover	Y45 628 804	1		
16	Filter	Y45 650 827	1	⚠	
17	Base	Y45 622 805	1		
18	Spl screw 4x16	Y45 650 018	17		
19	Hook (upper)	Y45 628 805	1		
20	PT screw 4x8 BS	Y50 190 010	2		
21	Hook (lower)	Y45 621 813	1		
22	Back plate	Y45 628 802	1		
23	Spl screw 5x30	Y45 650 022	7		
24	Spl screw 4x12	Y45 650 017	1		

# Circuit board parts

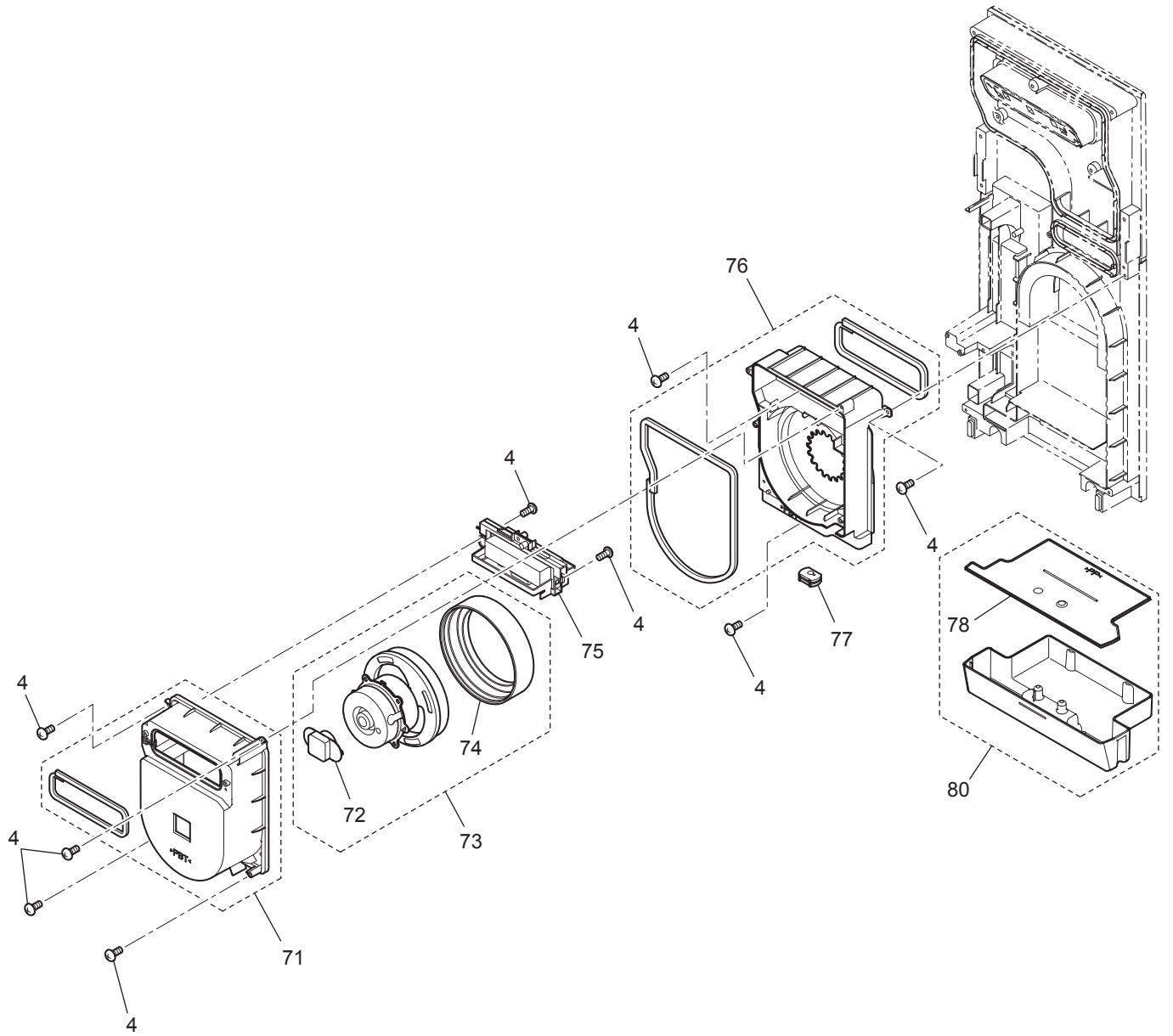


## Circuit board parts

### JT-SB116JH-G-NA

No.	Name of part	Parts No.	Q'ty pcs/unit	Critical for safety	Remarks
31	Spacer	Y45 650 097	1		
32	Circuit board	Y45 650 177	1	⚠	JT-30S5
33	Switch	Y45 650 259	1	⚠	
34	Insulator sheet	Y45 650 834	1	⚠	
35	TB fix plate	Y45 628 809	1		
36	Cord bush	Y45 650 235	1		
37	Insulator sheet	Y45 628 810	1	⚠	
38	Spacer	Y45 650 096	4		
39	Circuit board	Y45 628 172	1	⚠	JT-34F
40	PCB cover	Y45 628 811	1		
41	PTT screw 4x6	Y45 650 013	3		
42	PT screw 4x6 BS	Y81 293 010	2		
43	Cord bush	Y45 650 236	6		
44	Spacer	Y45 650 099	2		
45	TB cover	Y45 650 837	1		
46	PPT screw 4x20	Y45 650 010	2		
47	Terminal block	Y45 628 222	1	⚠	3P · With a fuse
48	TB holder	Y45 622 808	1		
49	Cover (micro)	Y45 628 817	1		
50	Spl screw 4x12	Y45 650 021	3		
51	Circuit board	Y45 628 173	1	⚠	JT-30M10
52	Circuit board	Y45 650 175	2	⚠	JT-30S2
53	Fix piece	Y45 628 813	2		
54	Circuit board	Y45 650 176	1	⚠	JT-30S3
55	Sensor holder	Y45 628 814	1		
56	Reactor (assy)	Y45 650 832	1	⚠	
57	PCB cover	Y45 650 838	1		
58	Circuit board	Y45 628 171	1	⚠	JT-34P1H
59	Circuit board	Y45 650 174	1	⚠	JT-30S1
60	Fix plate	Y45 628 815	1		
61	Maint. cover	Y45 628 812	1		

# Blower parts

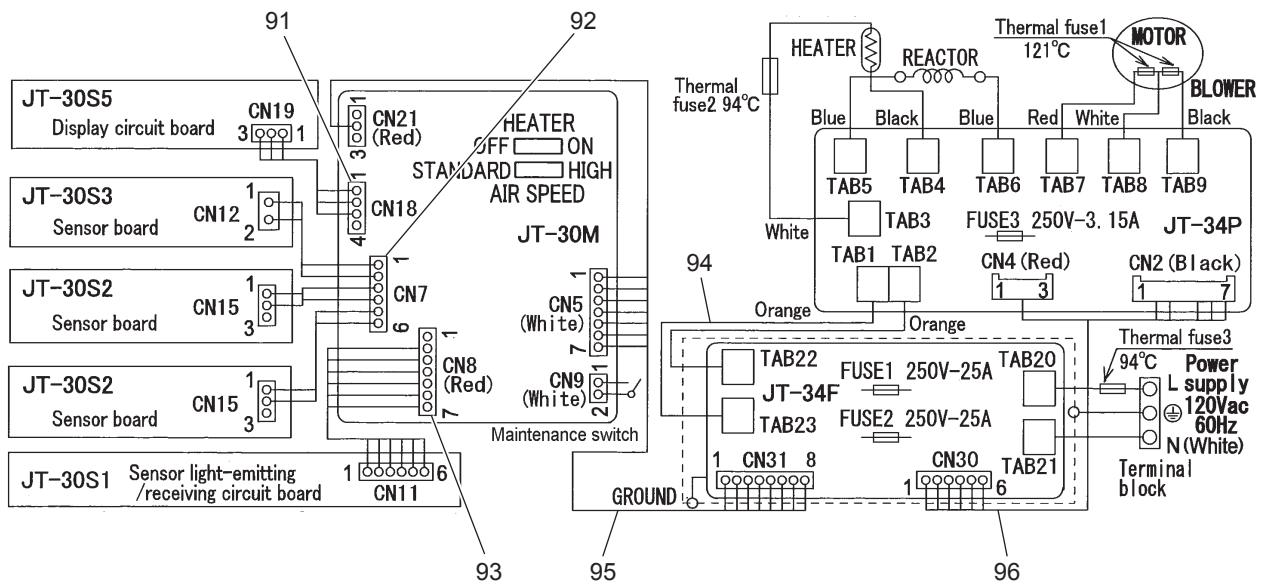


## Blower parts

JT-SB116JH-G-NA

No.	Name of part	Parts No.	Q'ty pcs/unit	Critical for safety	Remarks
71	Blower cover	Y45 650 880	1		With packing
72	Blower stopper	Y45 650 240	1		
73	Blower assembly	Y45 628 400	1	⚠	
74	Floating rubber	Y45 650 237	1		
75	Heater (PTC)	Y45 650 885	1	⚠	With a fuse
76	Blower case	Y45 650 843	1		With packing
77	Cord bush	Y45 628 225	1		
78	Tank cover	Y45 650 831	1		
80	Tank assy	Y45 650 844	1		

# Wiring parts

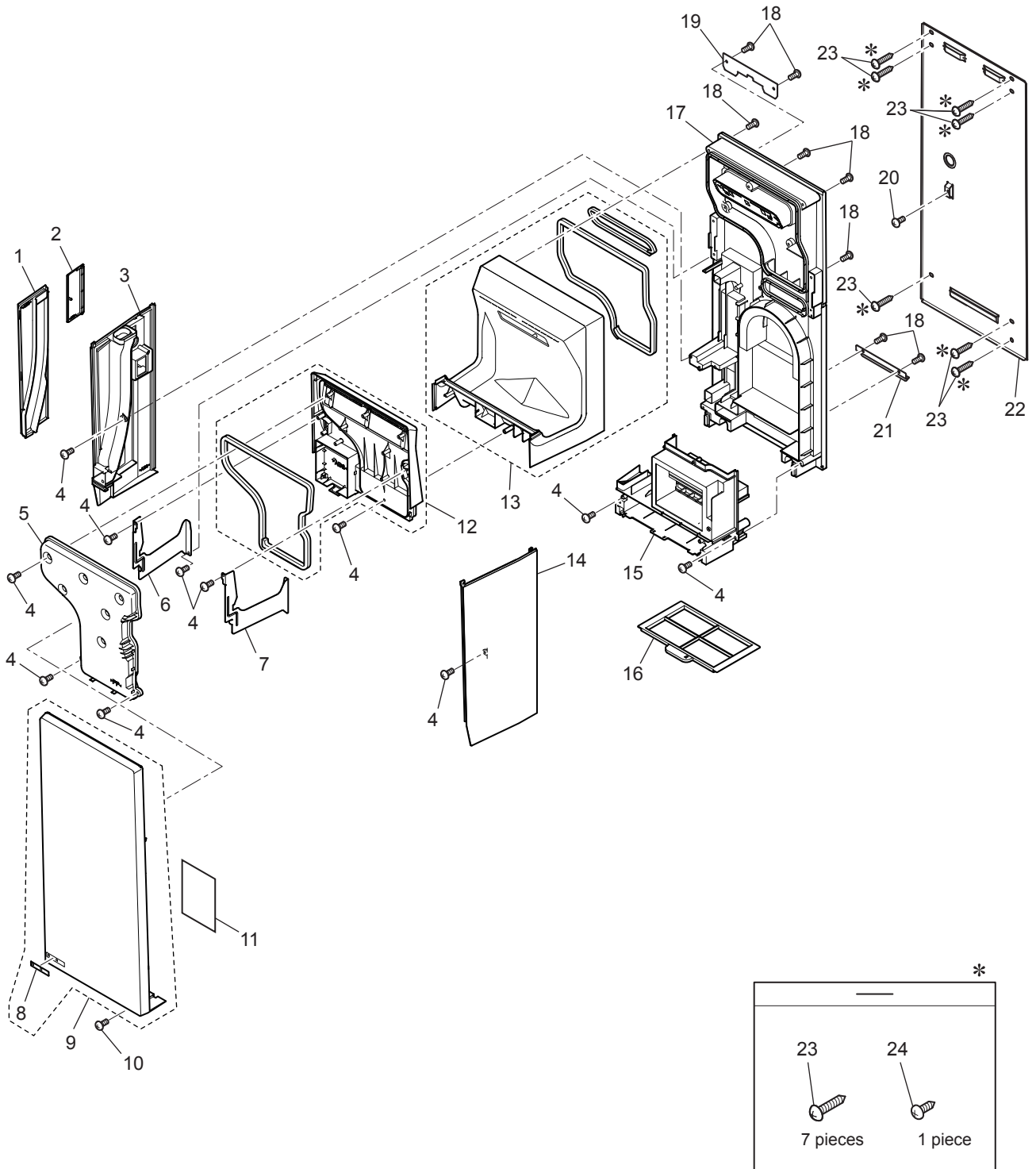


## Wiring parts

JT-SB116JH-G-NA

No.	Name of part	Parts No.	Q'ty pcs/unit	Critical for safety	Remarks
91	Lead wire	Y45 650 242	1	△	CN18-CN19
92	Lead wire	Y45 650 222	1	△	CN7-CN12、 CN15
93	Lead wire	Y45 650 241	1	△	CN8-CN11
94	Lead wire	Y45 628 221	1	△	TAB1、 2-TAB22、 23
95	Lead wire	Y45 628 220	1	△	CN31-CN5、 CN21
96	Lead wire	Y45 628 219	1	△	CN30-CN2、 CN4

# Body parts



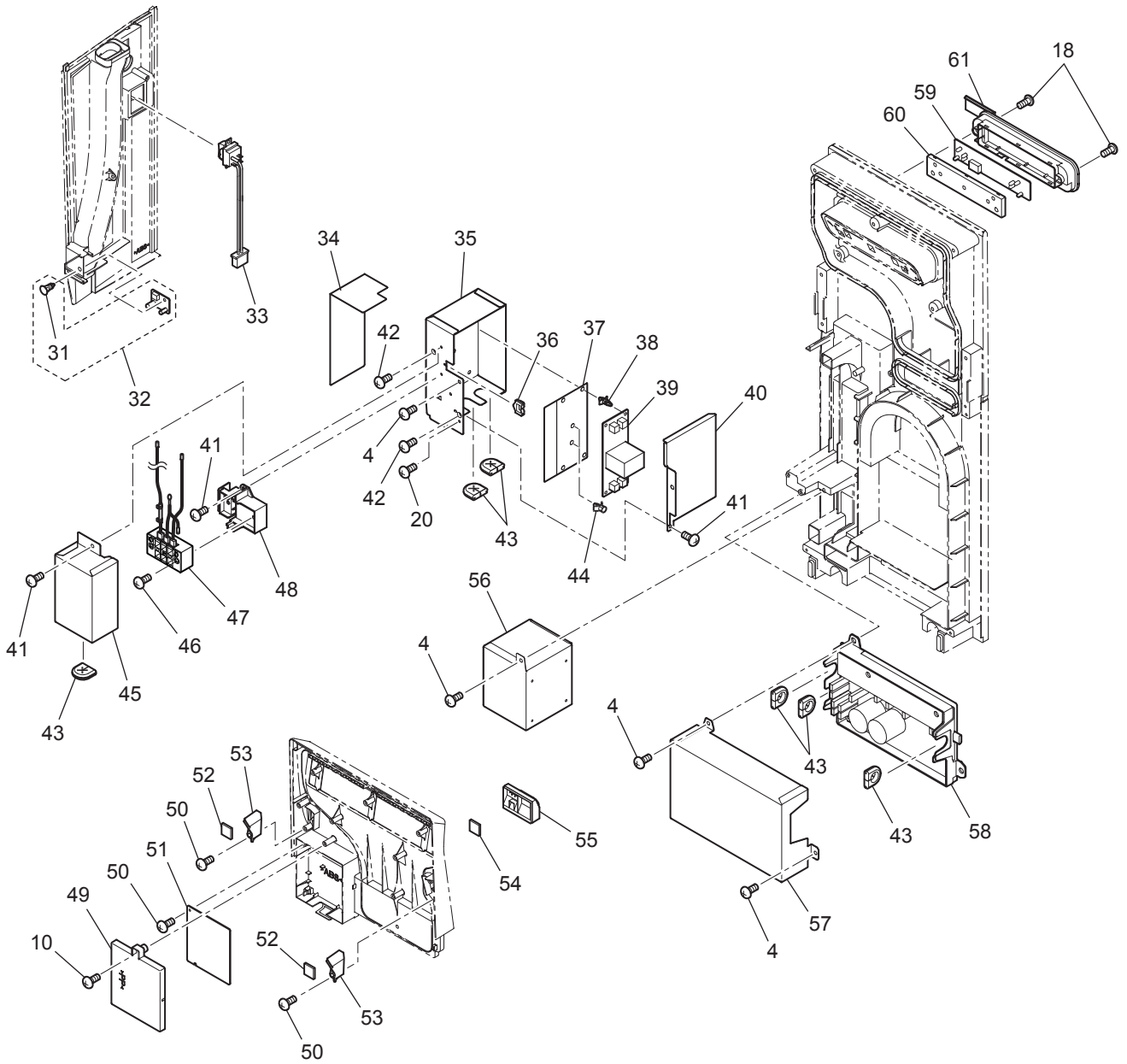
\* shows accessory parts.

## Body parts

JT-SB116JH-W-NA

No.	Name of part	Parts No.	Q'ty pcs/unit	Critical for safety	Remarks
1	Side cover	Y45 631 806	1		
2	Switch door	Y45 633 807	1		
3	Side panel L	Y45 633 806	1		
4	PTT screw 4×16	Y45 650 012	30		
5	Exhaust duct	Y45 622 802	1		
6	Panel holder L	Y45 650 835	1		
7	Panel holder R	Y45 650 836	1		
8	Indicator plate	Y45 623 809	1		
9	Front panel	Y45 631 800	1		
10	Spl screw 4x16	Y45 650 045	3		
11	Wiring diagram	Y45 633 358	1		
12	Panel (front)	Y45 631 802	1		With packing
13	Panel (back)	Y45 633 800	1		With packing
14	Side panel R	Y45 631 809	1		
15	Cover	Y45 628 804	1		
16	Filter	Y45 650 827	1	⚠	
17	Base	Y45 622 805	1		
18	Spl screw 4x16	Y45 650 018	17		
19	Hook (upper)	Y45 628 805	1		
20	PT screw 4x8 BS	Y50 190 010	2		
21	Hook (lower)	Y45 621 813	1		
22	Back plate	Y45 628 802	1		
23	Spl screw 5x30	Y45 650 022	7		
24	Spl screw 4x12	Y45 650 017	1		

# Circuit board parts

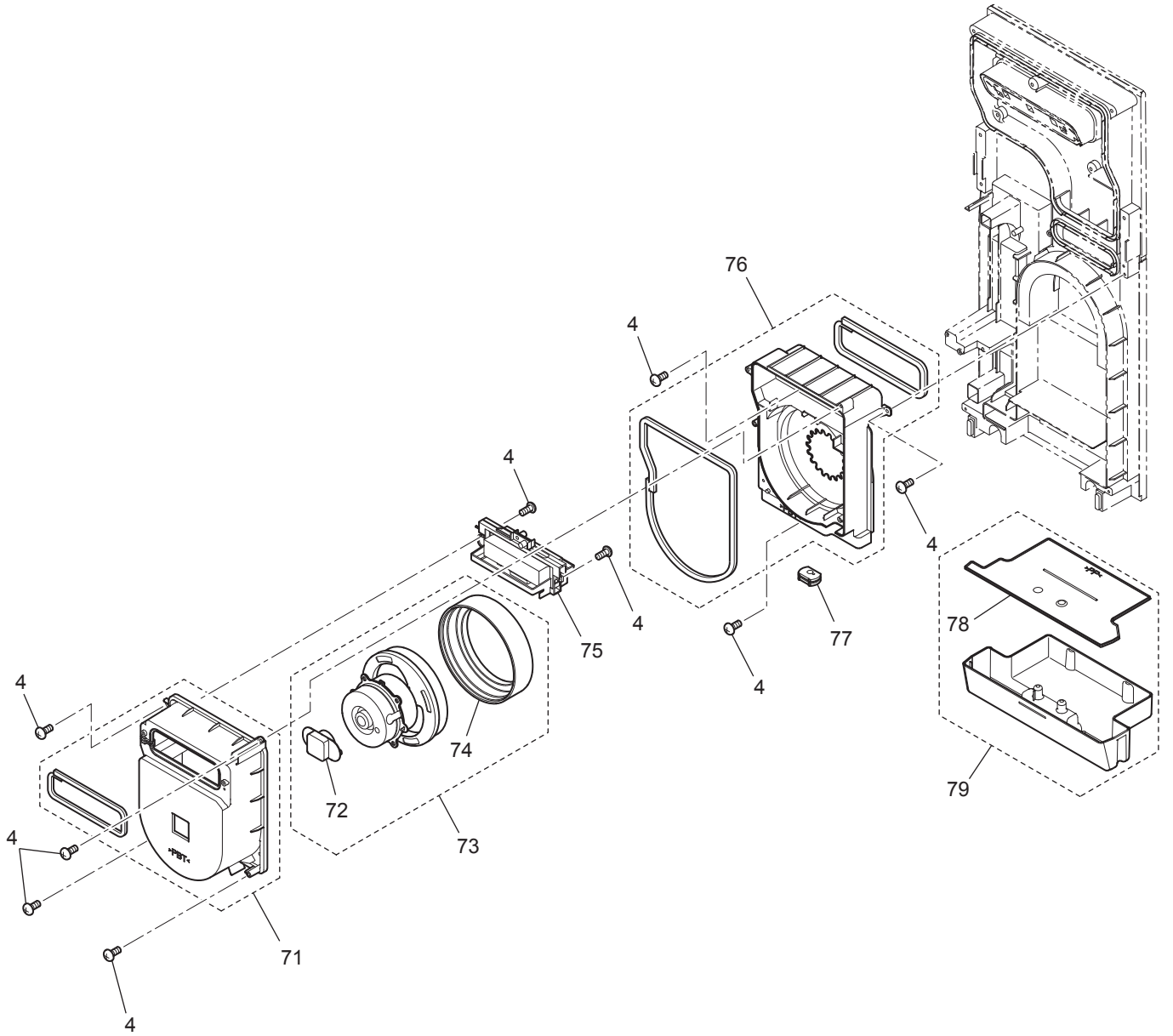


## Circuit board parts

### JT-SB116JH-W-NA

No.	Name of part	Parts No.	Q'ty pcs/unit	Critical for safety	Remarks
31	Spacer	Y45 650 097	1		
32	Circuit board	Y45 650 177	1	△	JT-30S5
33	Switch	Y45 650 259	1	△	
34	Insulator sheet	Y45 650 834	1	△	
35	TB fix plate	Y45 628 809	1		
36	Cord bush	Y45 650 235	1		
37	Insulator sheet	Y45 628 810	1	△	
38	Spacer	Y45 650 096	4		
39	Circuit board	Y45 628 172	1	△	JT-34F
40	PCB cover	Y45 628 811	1		
41	PTT screw 4x6	Y45 650 013	3		
42	PT screw 4x6 BS	Y81 293 010	2		
43	Cord bush	Y45 650 236	6		
44	Spacer	Y45 650 099	2		
45	TB cover	Y45 650 837	1		
46	PPT screw 4x20	Y45 650 010	2		
47	Terminal block	Y45 628 222	1	△	3P · With a fuse
48	TB holder	Y45 622 808	1		
49	Cover (micro)	Y45 628 817	1		
50	Spl screw 4x12	Y45 650 021	3		
51	Circuit board	Y45 633 171	1	△	JT-30M10A
52	Circuit board	Y45 650 175	2	△	JT-30S2
53	Fix piece	Y45 650 840	2		
54	Circuit board	Y45 650 176	1	△	JT-30S3
55	Sensor holder	Y45 650 841	1		
56	Reactor (assy)	Y45 650 832	1	△	
57	PCB cover	Y45 650 838	1		
58	Circuit board	Y45 628 171	1	△	JT-34P1H
59	Circuit board	Y45 650 174	1	△	JT-30S1
60	Fix plate	Y45 650 842	1		
61	Maint. cover	Y45 650 839	1		

# Blower parts

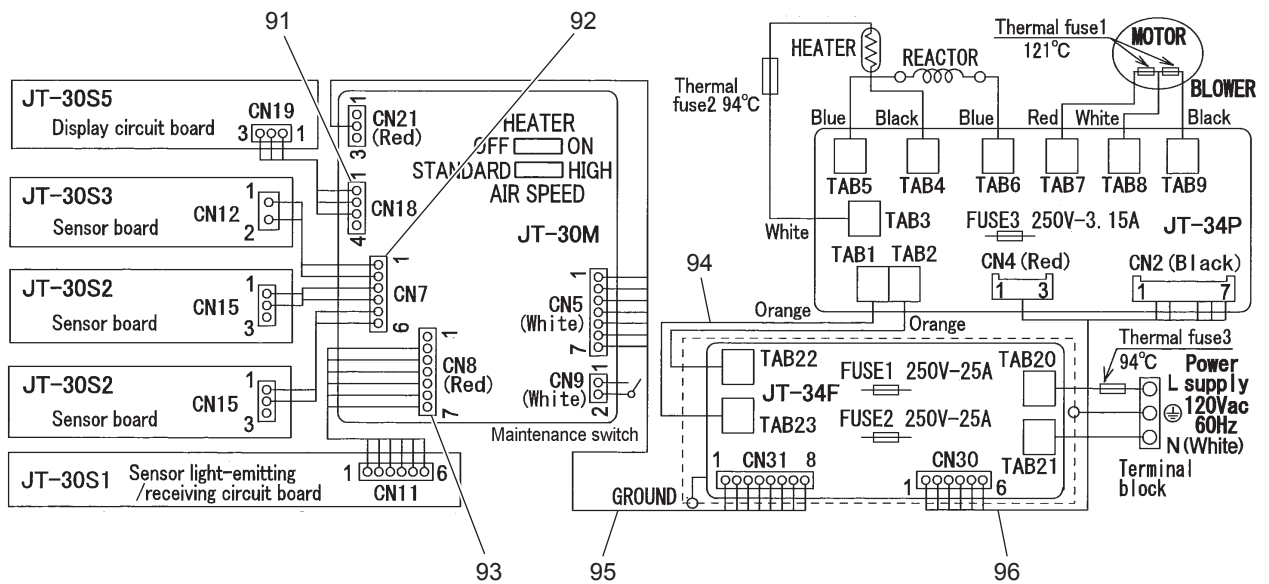


## Blower parts

JT-SB116JH-W-NA

No.	Name of part	Parts No.	Q'ty pcs/unit	Critical for safety	Remarks
71	Blower cover	Y45 650 880	1		With packing
72	Blower stopper	Y45 650 240	1		
73	Blower assembly	Y45 628 400	1	⚠	
74	Floating rubber	Y45 650 237	1		
75	Heater (PTC)	Y45 650 885	1	⚠	With a fuse
76	Blower case	Y45 650 843	1		With packing
77	Cord bush	Y45 628 225	1		
78	Tank cover	Y45 650 831	1		
79	Tank assy	Y45 650 830	1		

# Wiring parts



## Wiring parts

JT-SB116JH-W-NA

No.	Name of part	Parts No.	Q'ty pcs/unit	Critical for safety	Remarks
91	Lead wire	Y45 650 242	1	△	CN18-CN19
92	Lead wire	Y45 650 222	1	△	CN7-CN12、 CN15
93	Lead wire	Y45 650 241	1	△	CN8-CN11
94	Lead wire	Y45 628 221	1	△	TAB1、 2-TAB22、 23
95	Lead wire	Y45 628 220	1	△	CN31-CN5、 CN21
96	Lead wire	Y45 628 219	1	△	CN30-CN2、 CN4