

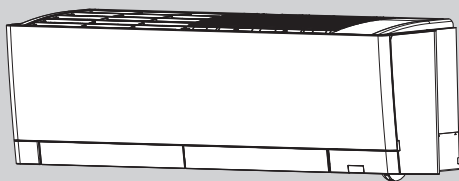
INDOOR UNIT

No. OBB960
REVISED EDITION-B

PARTS CATALOG

Models

- MSZ-FX06NL** - CA1, CA2
- MSZ-FX09NL** - CA1, CA2
- MSZ-FX12NL** - CA1, CA2
- MSZ-FX15NL** - CA1, CA2
- MSZ-FX18NL** - CA1, CA2
- MSZ-FX24NL** - CA1, CA2



CONTENTS

- 1. SERVICE PARTS LIST 2
- 2. OPTIONAL PARTS 15

SERVICE MANUAL (OBH960)

Revision A:

• Some part numbers have been changed.

Revision B:

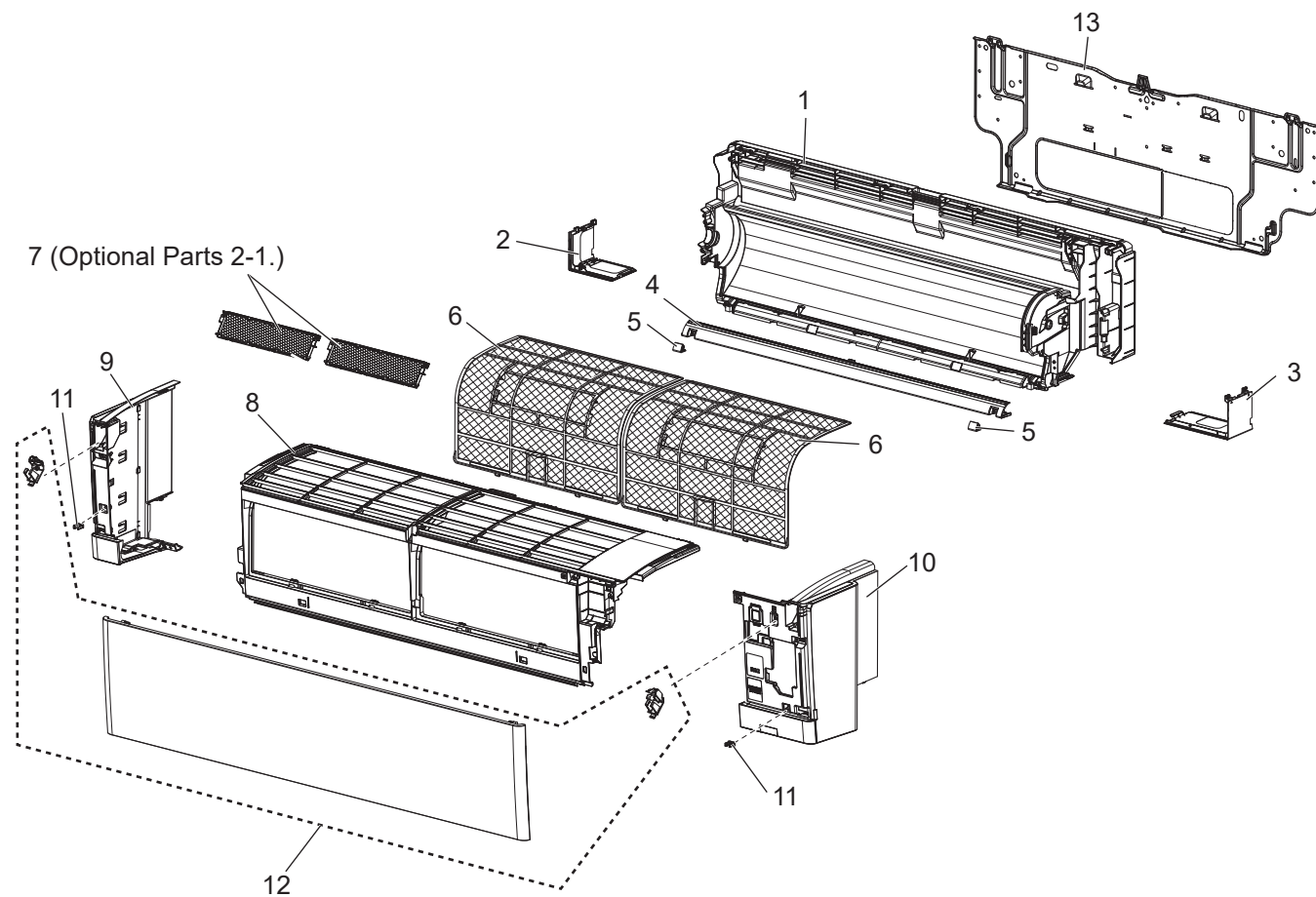
• MSZ-FX06/09/12/15/18/24NL - CA2 have been added.

1 SERVICE PARTS LIST

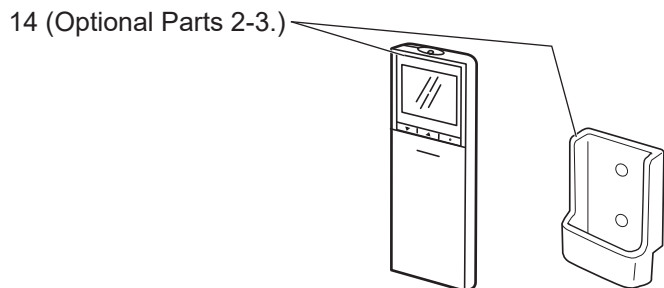
MSZ-FX06NL -CA1 MSZ-FX09NL -CA1 MSZ-FX12NL -CA1

MSZ-FX15NL -CA1 MSZ-FX18NL -CA1 MSZ-FX24NL -CA1

1-1. INDOOR UNIT STRUCTURAL PARTS



1-2. ACCESSORY AND REMOTE CONTROLLER



1-1. INDOOR UNIT STRUCTURAL PARTS

1. The part quantity below indicates the required number of pieces per unit.

No.	Part No.	Part Name	MSZ-FX06NL - CA1	MSZ-FX09NL - CA1	MSZ-FX12NL - CA1	MSZ-FX15NL - CA1	MSZ-FX18NL - CA1	MSZ-FX24NL - CA1	Symbol in Wiring Diagram	Remarks
1	E22 9J7 234	BOX ASSEMBLY	1	1	1	1	1	1		
2	E22 61V 976	CORNER BOX (L)	1	1	1	1	1	1		
3	E22 61V 975	CORNER BOX (R)	1	1	1	1	1	1		
4	E22 69R 717	PANEL (U)	1	1	1	1	1	1		
5	E22 9J7 067	SCREW CAP ASSEMBLY	2	2	2	2	2	2		2 PCS/SET
6	E22 61V 100	AIR FILTER	2	2	2	2	2	2		1 PC/SET
7	—	AIR CLEANING FILTER (ELECTROSTATIC ANTI-ALLERGY ENZYME FILTER / MICROPARTICLE CATCHING FILTER)	1	1	1	1	1	1		1 PC/SET MAC-2420FT-E MAC-EMF415FT-E
8	E22 0K9 000	PANEL ASSEMBLY (F)	1	1	1	1	1	1		
9	E22 6H7 086	PANEL ASSEMBLY (L)	1	1	1	1	1	1		Includes CATCH
10	E22 0K9 085	PANEL ASSEMBLY (R)	1	1	1	1	1	1		Includes CATCH
11	E22 F95 142	CATCH	2	2	2	2	2	2		2 PCS/SET
12	E22 6H7 010	FRONT PANEL	1	1	1	1	1	1		
13	E22 7C3 970	INSTALLATION PLATE	1	1	1	1	1	1		

1-2. ACCESSORY AND REMOTE CONTROLLER

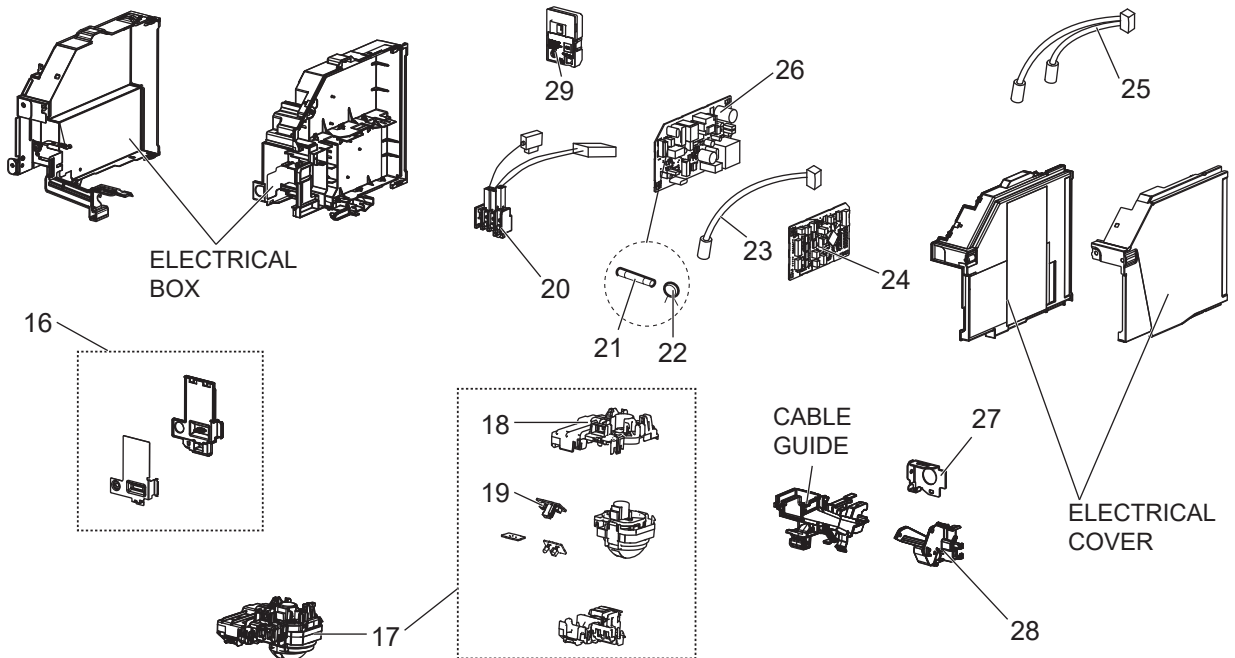
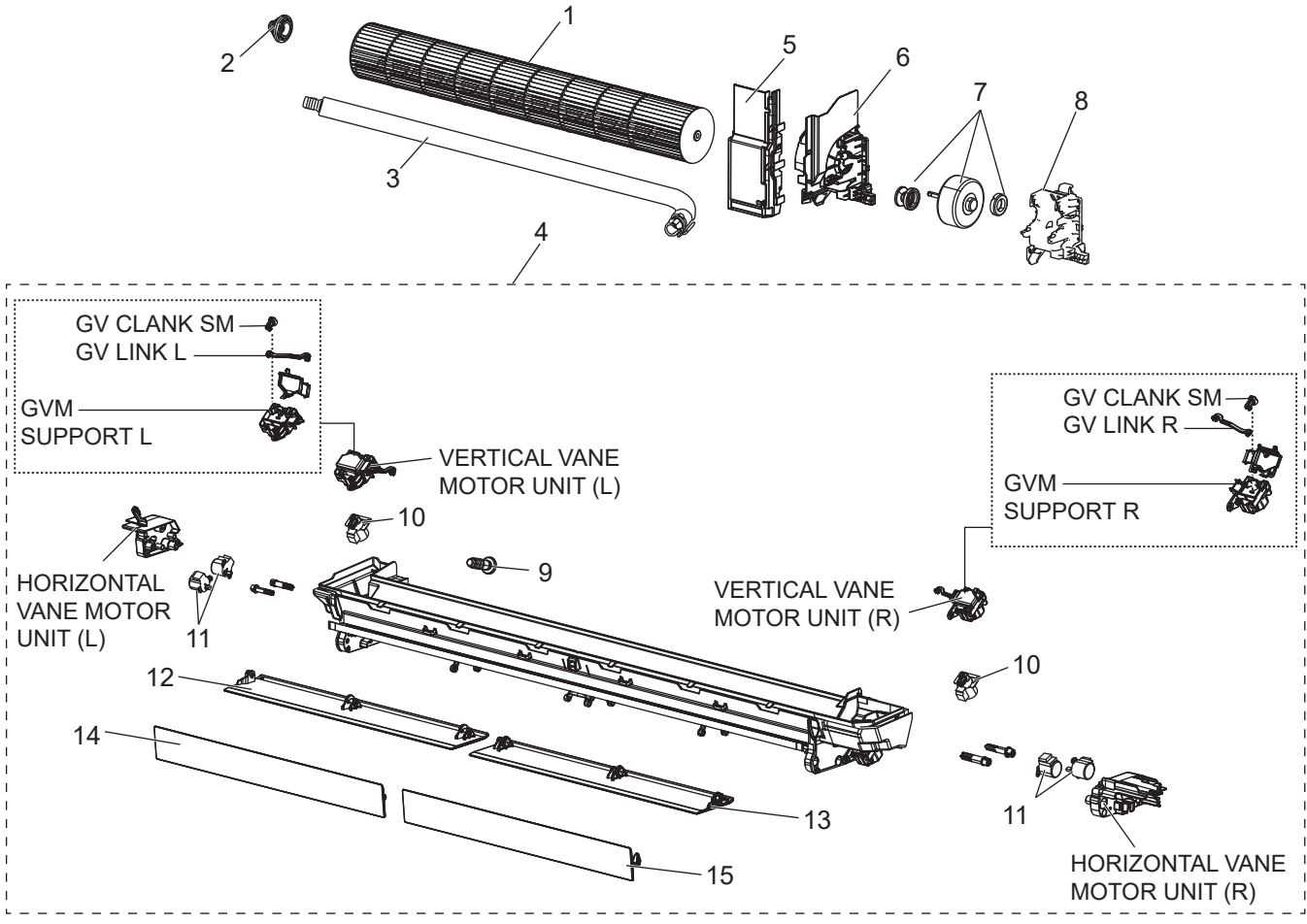
1. The part quantity below indicates the required number of pieces per unit.

No.	Part No.	Part Name	MSZ-FX06NL - CA1	MSZ-FX09NL - CA1	MSZ-FX12NL - CA1	MSZ-FX15NL - CA1	MSZ-FX18NL - CA1	MSZ-FX24NL - CA1	Symbol in Wiring Diagram	Remarks
14	—	REMOTE CONTROLLER	1	1	1	1	1	1		optional part : SH24T MAC-FL110M-E (English) SH24AB MAC-FL210M-E (French) Includes REMOTE CONTROLLER HOLDER

MSZ-FX06NL-CA1 MSZ-FX09NL-CA1 MSZ-FX12NL-CA1

MSZ-FX15NL-CA1 MSZ-FX18NL-CA1 MSZ-FX24NL-CA1

1-3. INDOOR UNIT ELECTRICAL PARTS AND FUNCTIONAL PARTS



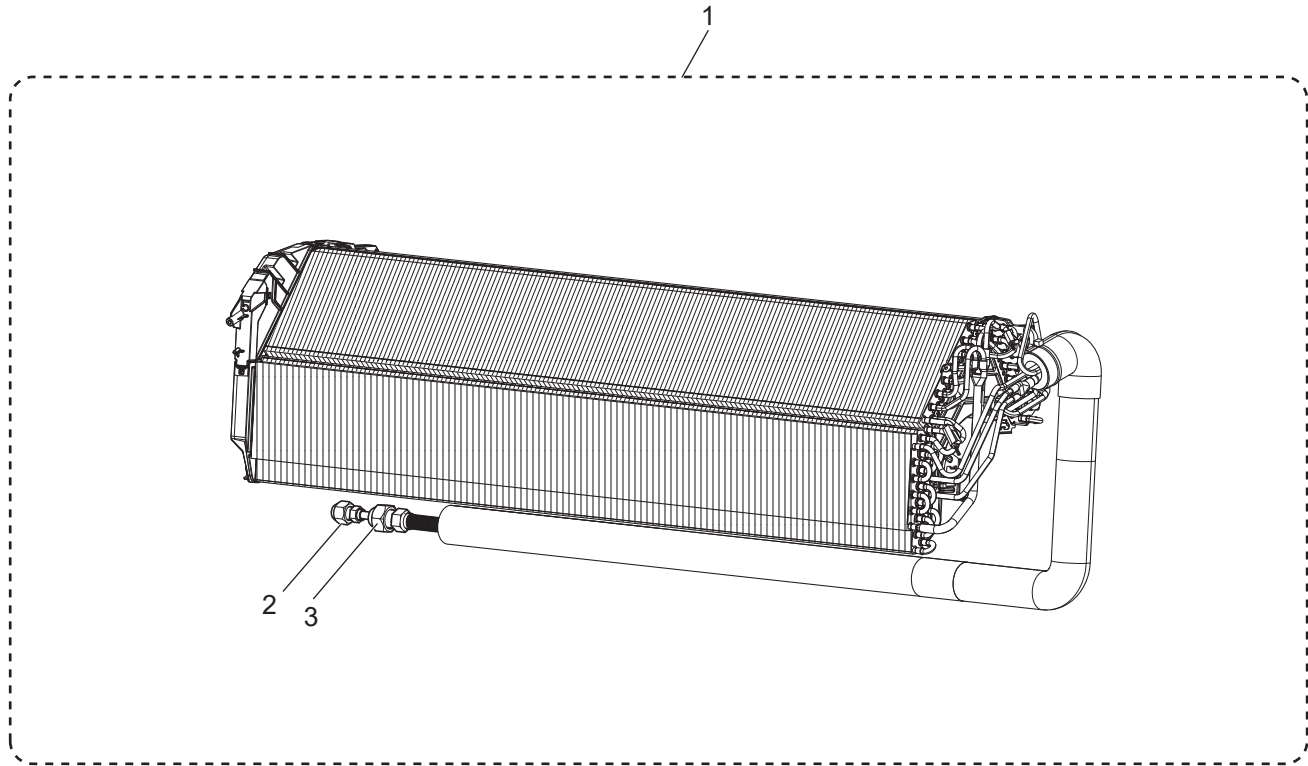
1-3. INDOOR UNIT ELECTRICAL PARTS AND FUNCTIONAL PARTS

1. The part quantity below indicates the required number of pieces per unit.

No.	Part No.	Part Name	MSZ-FX06NL - [CAT]	MSZ-FX09NL - [CAT]	MSZ-FX12NL - [CAT]	MSZ-FX15NL - [CAT]	MSZ-FX18NL - [CAT]	MSZ-FX24NL - [CAT]	Symbol in Wiring Diagram	Remarks
1	E22 69R 302	LINE FLOW FAN	1	1	1	1	1	1		
2	E22 A89 509	BEARING MOUNT ASSEMBLY	1	1	1	1	1	1		
3	E22 T20 702	DRAIN HOSE	1	1	1	1	1	1		
4	E22 6H7 235	NOZZLE ASSEMBLY	1	1	1	1	1	1		Full assembly except drain hose
5	E22 69R 541	WATER COVER	1	1	1	1	1	1		
6	E22 69R 333	MOTOR BAND	1	1	1	1	1	1		
7	E22 7C3 300	INDOOR FAN MOTOR	1	1	1	1	1	1	MF	Includes rubber mounts RC0J40-□□
8	E22 70R 333	MOTOR BED	1	1	1	1	1	1		
9	E27 42R 705	DRAIN CAP	1	1	1	1	1	1		
10	E22 J44 303	VERTICAL VANE MOTOR	2	2	2	2	2	2	MV2	
11	E27 103 303	HORIZONTAL VANE MOTOR	4	4	4	4	4	4	MV1	
12	E22 6H7 041	HORIZONTAL VANE LOWER (L)	1	1	1	1	1	1		
13	E22 6H8 041	HORIZONTAL VANE LOWER (R)	1	1	1	1	1	1		
14	E22 6H7 040	HORIZONTAL VANE UPPER (L)	1	1	1	1	1	1		
15	E22 6H8 040	HORIZONTAL VANE UPPER (R)	1	1	1	1	1	1		
16	E22 7C3 784	V.A. CLAMP	1	1	1	1	1	1		
17	E22 6H7 391	DISPLAY AND i-see SENSOR ASSEMBLY	1	1	1	1	1			Includes i-See Sensor, MT, DISPLAY P.C. BOARD, RECEIVER P.C. BOARD
17	E22 7H2 391	DISPLAY AND i-see SENSOR ASSEMBLY						1		Includes i-See Sensor, MT, DISPLAY P.C. BOARD, RECEIVER P.C. BOARD
18	E22 6H7 095	DISPLAY AND RECEIVER P.C. BOARD HOLDER	1	1	1	1	1	1		
19	E22 6H7 468	DISPLAY AND RECEIVER P.C. BOARD	1	1	1	1	1	1		DISPLAY P.C. BOARD, RECEIVER P.C. BOARD combined type
20	E22 7C3 375	TERMINAL BLOCK	1	1	1	1	1	1	TB	
21	E22 C67 382	FUSE	1	1	1	1	1	1	F11	T3.15AL250V
22	E22 K90 385	VARISTOR	1	1	1	1	1	1	NR11	
23	E22 69R 308	ROOM TEMPERATURE THERMISTOR	1	1	1	1	1	1	RT11	
24	E22 6H7 452	ELECTRONIC CONTROL P.C. BOARD	1							
24	E22 6H8 452	ELECTRONIC CONTROL P.C. BOARD		1						
24	E22 6H9 452	ELECTRONIC CONTROL P.C. BOARD			1					
24	E22 7H0 452	ELECTRONIC CONTROL P.C. BOARD				1				
24	E22 7H1 452	ELECTRONIC CONTROL P.C. BOARD					1			
24	E22 7H2 452	ELECTRONIC CONTROL P.C. BOARD						1		
25	E22 6H7 307	INDOOR COIL THERMISTOR	1	1	1	1	1		RT12, RT13	Combined type
25	E22 7H2 307	INDOOR COIL THERMISTOR						1	RT12, RT13	Combined type
26	E22 6H7 440	POWER P.C. BOARD	1	1	1	1	1	1		
27	E22 7C3 978	CONDUIT PLATE	1	1	1	1	1	1		
28	E22 7C3 979	CONDUIT COVER	1	1	1	1	1	1		
29	E22 6H7 457	Wi-Fi ASSEMBLY	1	1	1	1	1	1		Includes SWITCH/BUZZER P.C. BOARD

MSZ-FX06NL-CA1 MSZ-FX09NL-CA1 MSZ-FX12NL-CA1
MSZ-FX15NL-CA1 MSZ-FX18NL-CA1 MSZ-FX24NL-CA1

1-4. INDOOR UNIT HEAT EXCHANGER



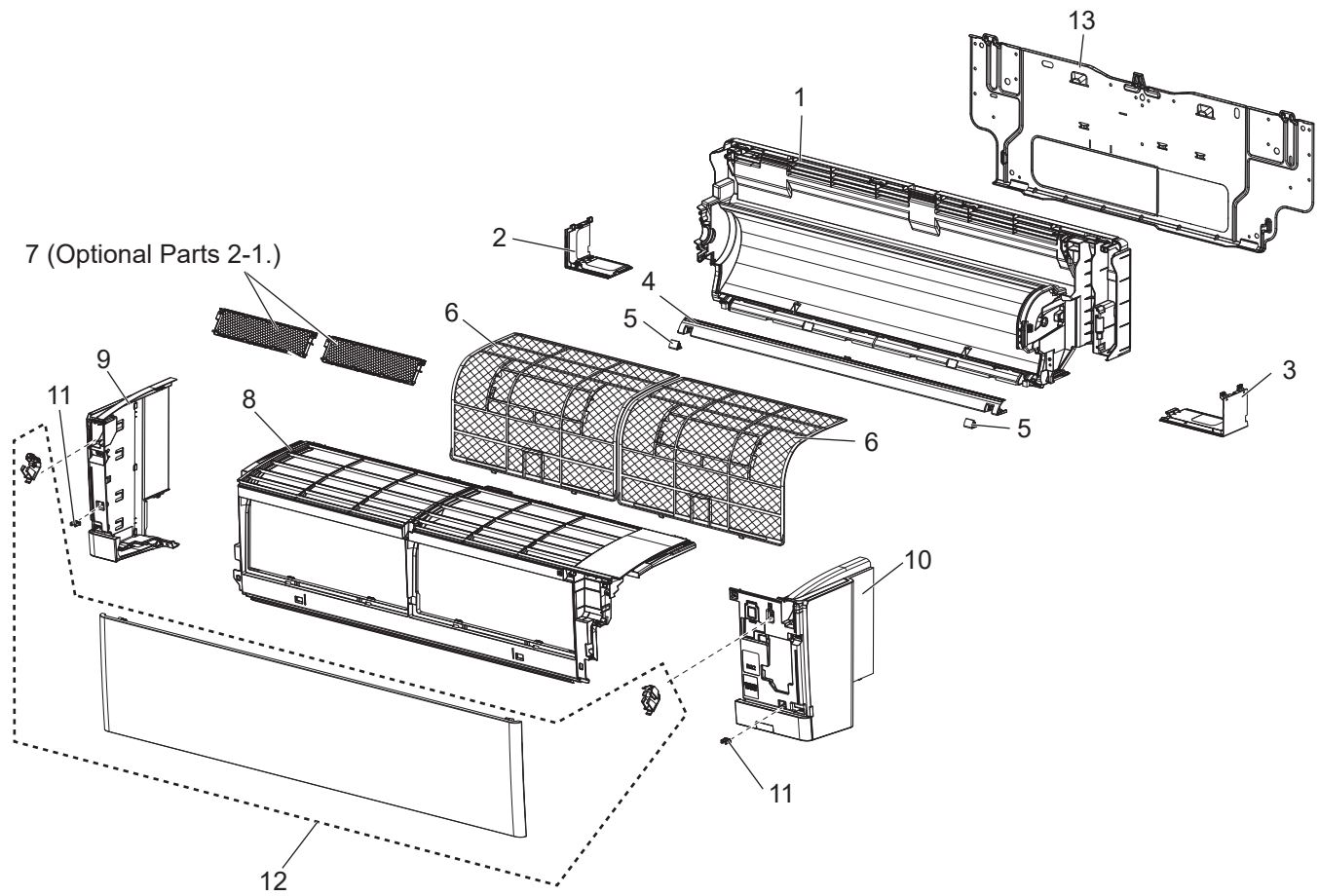
1-4. INDOOR UNIT HEAT EXCHANGER

1. The part quantity below indicates the required number of pieces per unit.

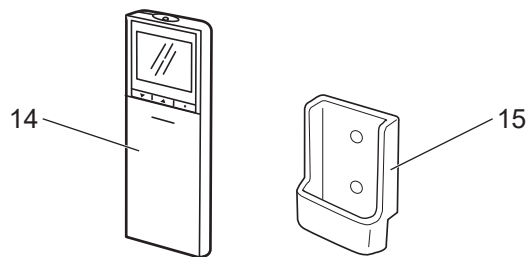
No.	Part No.	Part Name	MSZ-FX06NL - CA1	MSZ-FX09NL - CA1	MSZ-FX12NL - CA1	MSZ-FX15NL - CA1	MSZ-FX18NL - CA1	MSZ-FX24NL - CA1	Symbol in Wiring Diagram	Remarks
1	E22 6H7 620	INDOOR HEAT EXCHANGER	1	1	1					
1	E22 7H0 620	INDOOR HEAT EXCHANGER				1	1			
1	E22 7H2 620	INDOOR HEAT EXCHANGER						1		
2	E22 151 667	UNION (LIQUID)	1	1	1	1	1	1		for liquid 1/4 (ø6.35)
3	E22 815 666	UNION (GAS)	1	1	1					for gas 3/8 (ø9.52)
3	E22 155 666	UNION (GAS)				1	1			for gas 1/2 (ø12.7)
3	E22 138 666	UNION (GAS)						1		for gas 5/8 (ø15.88)

MSZ-FX06NL-CA2 MSZ-FX09NL-CA2 MSZ-FX12NL-CA2
MSZ-FX15NL-CA2 MSZ-FX18NL-CA2 MSZ-FX24NL-CA2

1-5. INDOOR UNIT STRUCTURAL PARTS



1-6. ACCESSORY AND REMOTE CONTROLLER



1-5. INDOOR UNIT STRUCTURAL PARTS

1. The part quantity below indicates the required number of pieces per unit.

No.	Part No.	Part name	MSZ-FX06NL - CA2	MSZ-FX09NL - CA2	MSZ-FX12NL - CA2	MSZ-FX15NL - CA2	MSZ-FX18NL - CA2	MSZ-FX24NL - CA2	Symbol in Wiring Diagram	Remarks
1	E22 BB1 234	BOX ASSEMBLY	1	1	1	1	1	1		
2	E22 61V 976	CORNER BOX (L)	1	1	1	1	1	1		
3	E22 61V 975	CORNER BOX (R)	1	1	1	1	1	1		
4	E22 69R 717	PANEL (U)	1	1	1	1	1	1		
5	E22 9J7 067	SCREW CAP ASSEMBLY	2	2	2	2	2	2		2 PCS/SET
6	E22 61V 100	AIR FILTER	2	2	2	2	2	2		1 PC/SET
7	—	AIR CLEANING FILTER (ELECTROSTATIC ANTI-ALLERGY ENZYME FILTER / MICROPARTICLE CATCHING FILTER)	1	1	1	1	1	1		1 PC/SET MAC-2420FT-E / MAC-EMF415FT-E
8	E22 0K9 000	PANEL ASSEMBLY (F)	1	1	1	1	1	1		
9	E22 6H7 086	PANEL ASSEMBLY (L)	1	1	1	1	1	1		Includes CATCH
10	E22 AP5 085	PANEL ASSEMBLY (R)	1	1	1	1	1	1		Includes CATCH
11	E22 F95 142	CATCH	2	2	2	2	2	2		2 PCS/SET
12	E22 6H7 010	FRONT PANEL	1	1	1	1	1	1		
13	E22 7C3 970	INSTALLATION PLATE	1	1	1	1	1	1		

1-6. ACCESSORY AND REMOTE CONTROLLER

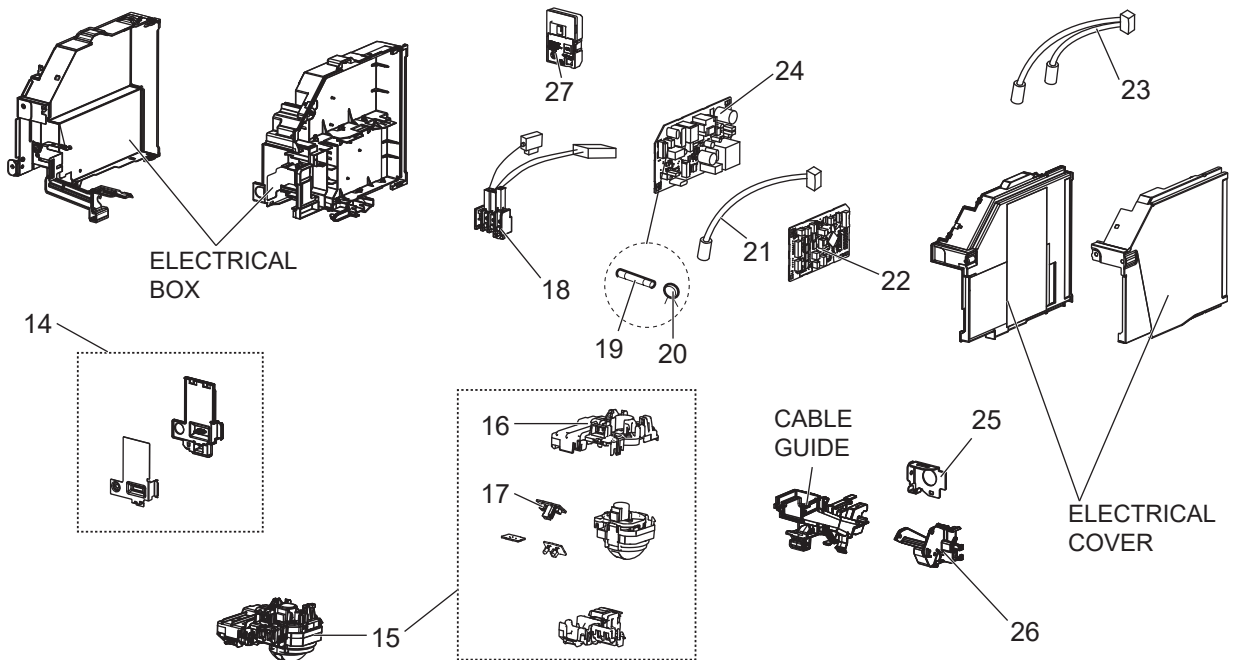
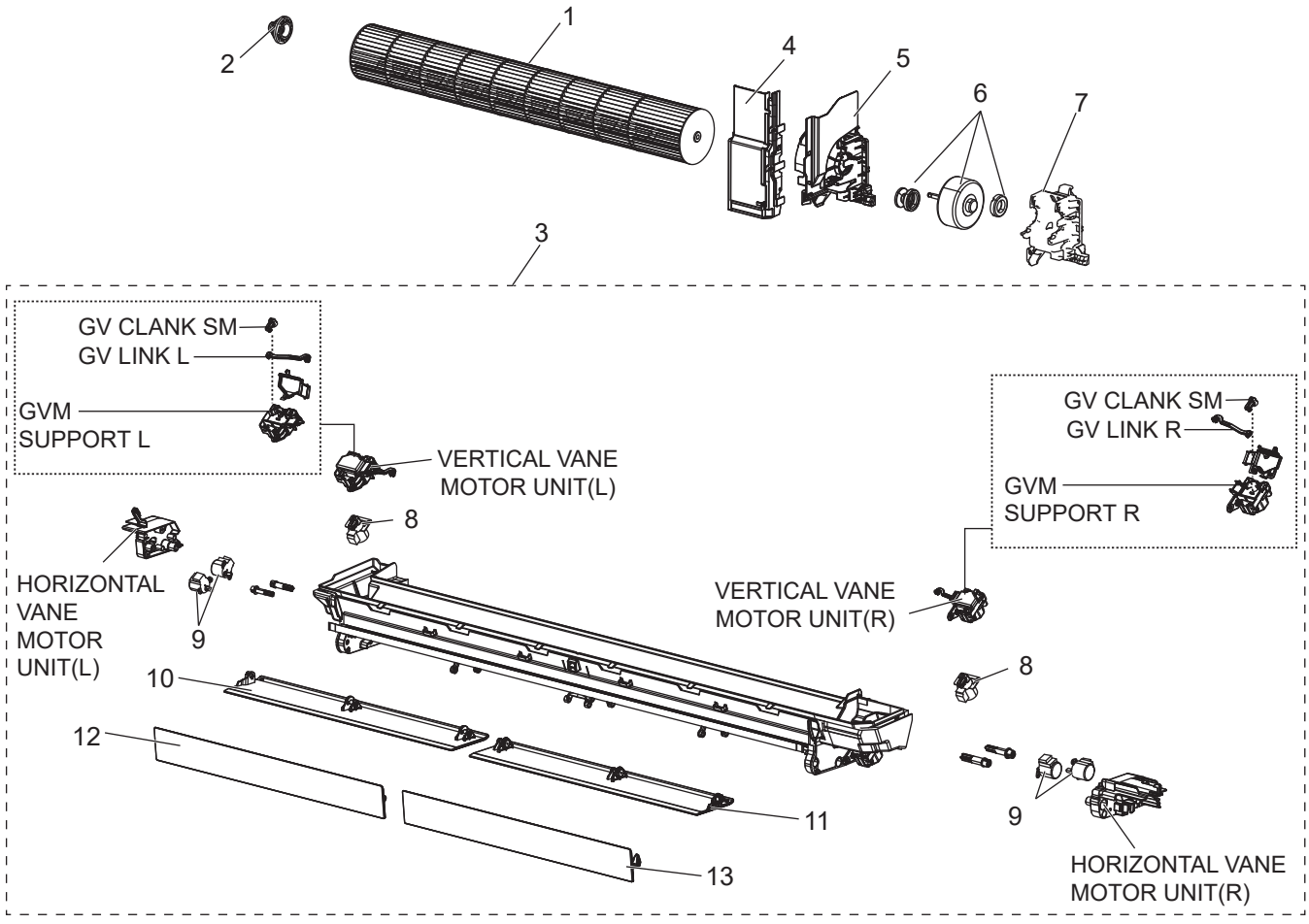
1. The part quantity below indicates the required number of pieces per unit.

No.	Part No.	Part name	MSZ-FX06NL - CA2	MSZ-FX09NL - CA2	MSZ-FX12NL - CA2	MSZ-FX15NL - CA2	MSZ-FX18NL - CA2	MSZ-FX24NL - CA2	Symbol in Wiring Diagram	Remarks
14	E22 6H7 426	REMOTE CONTROLLER	1	1	1	1	1	1		SH24T (English) optional part : SH24AB MAC-FL210M-E (French)
15	E22 41G 083	REMOTE CONTROLLER HOLDER	1	1	1	1	1	1		

MSZ-FX06NL-CA2 MSZ-FX09NL-CA2 MSZ-FX12NL-CA2

MSZ-FX15NL-CA2 MSZ-FX18NL-CA2 MSZ-FX24NL-CA2

1-7. INDOOR UNIT ELECTRICAL PARTS AND FUNCTIONAL PARTS



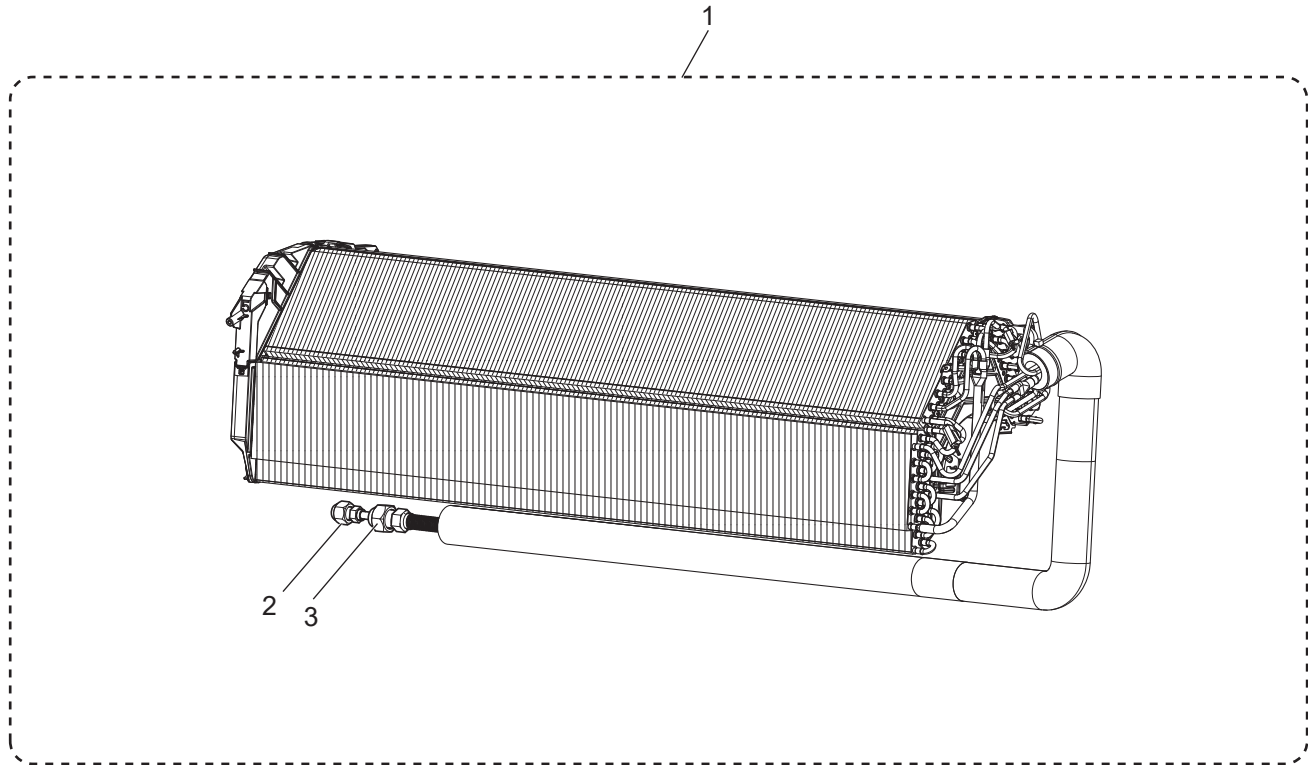
1-7. INDOOR UNIT ELECTRICAL PARTS AND FUNCTIONAL PARTS

1. The part quantity below indicates the required number of pieces per unit.

No.	Part No.	Part name	MSZ-FX06NL - [CA2]	MSZ-FX09NL - [CA2]	MSZ-FX12NL - [CA2]	MSZ-FX15NL - [CA2]	MSZ-FX18NL - [CA2]	MSZ-FX24NL - [CA2]	Symbol in Wiring Diagram	Remarks
1	E22 BB4 302	LINE FLOW FAN	1	1	1	1	1	1		
2	E22 A89 509	BEARING MOUNT ASSEMBLY	1	1	1	1	1	1		
3	E22 6H7 235	NOZZLE ASSEMBLY	1	1	1	1	1	1		Full assembly except drain hose
4	E22 69R 541	WATER COVER	1	1	1	1	1	1		
5	E22 69R 333	MOTOR BAND	1	1	1	1	1	1		
6	E22 7C3 300	INDOOR FAN MOTOR	1	1	1	1	1	1	MF	Includes rubber mounts RC0J40- □□
7	E22 70R 333	MOTOR BED	1	1	1	1	1	1		
8	E22 J44 303	VERTICAL VANE MOTOR	2	2	2	2	2	2	MV2	
9	E27 103 303	HORIZONTAL VANE MOTOR	4	4	4	4	4	4	MV1	
10	E22 6H7 041	HORIZONTAL VANE LOWER (L)	1	1	1	1	1	1		
11	E22 6H8 041	HORIZONTAL VANE LOWER (R)	1	1	1	1	1	1		
12	E22 6H7 040	HORIZONTAL VANE UPPER (L)	1	1	1	1	1	1		
13	E22 6H8 040	HORIZONTAL VANE UPPER (R)	1	1	1	1	1	1		
14	E22 7C3 784	V.A. CLAMP	1	1	1	1	1	1		
15	E22 6H7 391	DISPLAY AND i-see SENSOR ASSEMBLY	1	1	1	1	1			Includes i-See Sensor, MT, DISPLAY P.C. BOARD, RECEIVER P.C. BOARD
15	E22 7H2 391	DISPLAY AND i-see SENSOR ASSEMBLY						1		Includes i-See Sensor, MT, DISPLAY P.C. BOARD, RECEIVER P.C. BOARD
16	E22 6H7 095	DISPLAY AND RECEIVER P.C. BOARD HOLDER	1	1	1	1	1	1		
17	E22 AU6 468	DISPLAY AND RECEIVER P.C. BOARD	1	1	1	1	1	1		DISPLAY P.C. BOARD, RECEIVER P.C. BOARD combined type
18	E22 7C3 375	TERMINAL BLOCK	1	1	1	1	1	1	TB	
19	E22 C67 382	FUSE	1	1	1	1	1	1	F11	T3.15AL250V
20	E22 K90 385	VARISTOR	1	1	1	1	1	1	NR11	
21	E22 69R 308	ROOM TEMPERATURE THERMISTOR	1	1	1	1	1	1	RT11	
22	E22 AU6 452	ELECTRONIC CONTROL P.C. BOARD	1							
22	E22 AU7 452	ELECTRONIC CONTROL P.C. BOARD		1						
22	E22 AU8 452	ELECTRONIC CONTROL P.C. BOARD			1					
22	E22 AU9 452	ELECTRONIC CONTROL P.C. BOARD				1				
22	E22 AV1 452	ELECTRONIC CONTROL P.C. BOARD					1			
22	E22 AV2 452	ELECTRONIC CONTROL P.C. BOARD						1		
23	E22 6H7 307	INDOOR COIL THERMISTOR	1	1	1	1	1		RT12, RT13	Combined type
23	E22 7H2 307	INDOOR COIL THERMISTOR						1	RT12, RT13	Combined type
24	E22 AU6 440	POWER P.C. BOARD	1	1	1	1	1	1		
25	E22 7C3 978	CONDUIT PLATE	1	1	1	1	1	1		
26	E22 7C3 979	CONDUIT COVER	1	1	1	1	1	1		
27	E22 AU6 457	Wi-Fi ASSEMBLY	1	1	1	1	1	1		

MSZ-FX06NL-CA2 MSZ-FX09NL-CA2 MSZ-FX12NL-CA2
MSZ-FX15NL-CA2 MSZ-FX18NL-CA2 MSZ-FX24NL-CA2

1-8. INDOOR UNIT HEAT EXCHANGER



1-8. INDOOR UNIT HEAT EXCHANGER

1. The part quantity below indicates the required number of pieces per unit.

No.	Part No.	Part name	MSZ-FX06NL - [CA2]	MSZ-FX09NL - [CA2]	MSZ-FX12NL - [CA2]	MSZ-FX15NL - [CA2]	MSZ-FX18NL - [CA2]	MSZ-FX24NL - [CA2]	Symbol in Wiring Diagram	Remarks
1	E22 6H7 620	INDOOR HEAT EXCHANGER	1	1	1					
1	E22 7H0 620	INDOOR HEAT EXCHANGER				1	1			
1	E22 7H2 620	INDOOR HEAT EXCHANGER						1		
2	E22 151 667	UNION (LIQUID)	1	1	1	1	1	1		for liquid 1/4 (ø6.35)
3	E22 815 666	UNION (GAS)	1	1	1					for gas 3/8 (ø9.52)
3	E22 155 666	UNION (GAS)				1	1			for gas 1/2 (ø12.7)
3	E22 138 666	UNION (GAS)						1		for gas 5/8 (ø15.88)

1-9. AIR CLEANING FILTER ELECTROSTATIC ANTI-ALLERGY ENZYME FILTER (BLUE)

Every 3 months:

- Remove dirt by a vacuum cleaner.

When dirt cannot be removed by vacuum cleaning:

- Soak the filter and its frame in lukewarm water before rinsing it.
- After washing, dry it well in shade.

Every year:

- Replace it with a new air cleaning filter for best performance.

NOTE 1: Clean the filters regularly for best performance and to reduce power consumption.

NOTE 2: Dirty filters cause condensation in the air conditioner which will contribute to the growth of fungi such as mold.

It is therefore recommended to clean air filters every 2 weeks.

NOTE 3: Do not touch the i-see sensor.

Model	Part No.
MSZ-FX06NL MSZ-FX09NL MSZ-FX12NL MSZ-FX15NL MSZ-FX18NL MSZ-FX24NL	MAC-2420FT-E

MICROPARTICLE CATCHING FILTER (WHITE)

Every 3 months:

- Remove dirt by a vacuum cleaner.
- Do not wash it with water. Replace it with a new air cleaning filter when tobacco tar or oil stains adhere to it.
- Put it back to its original position, and install all tabs of the air cleaning filter.

Every 3 years:

- Replace it with a new air cleaning filter for best performance.

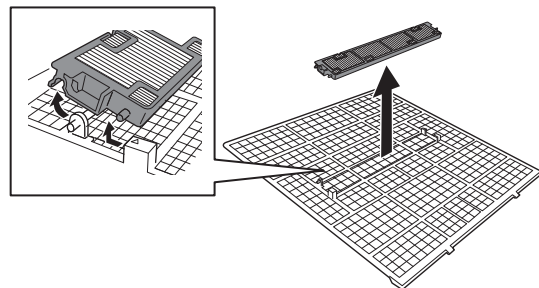
NOTE 1: Clean the filters regularly for best performance and to reduce power consumption.

NOTE 2: Dirty filters cause condensation in the air conditioner which will contribute to the growth of fungi such as mold.

It is therefore recommended to clean air filters every 2 weeks.

NOTE 3: Do not touch the i-see sensor.

Model	Part No.
MSZ-FX06NL MSZ-FX09NL MSZ-FX12NL MSZ-FX15NL MSZ-FX18NL MSZ-FX24NL	MAC-EMF415FT-E



2-1. AIR CLEANING FILTER DEODORIZING FILTER (BLACK)

Every 3 months:

- Remove dirt by a vacuum cleaner.

When dirt cannot be removed by vacuum cleaning:

- Remove dirt by a vacuum cleaner, or soak the framed filter in lukewarm water (30 to 40°C) for about 15 minutes. Rinse well.
- After washing, dry it well in shade.
- Deodorizing feature recovers by cleaning the filter.

When dirt or smell cannot be removed by cleaning:

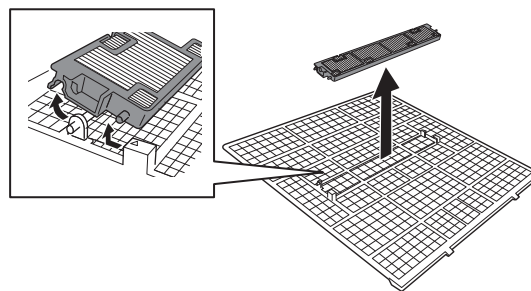
- Replace it with a new air cleaning filter.

NOTE 1: Clean the filters regularly for best performance and to reduce power consumption.

NOTE 2: Dirty filters cause condensation in the air conditioner which will contribute to the growth of fungi such as mold. It is therefore recommended to clean air filters every 2 weeks.

NOTE 3: Do not touch the i-see sensor.

Model	Part No.
MSZ-FX06NL	MAC-3010FT-E
MSZ-FX09NL	
MSZ-FX12NL	
MSZ-FX15NL	
MSZ-FX18NL	
MSZ-FX24NL	



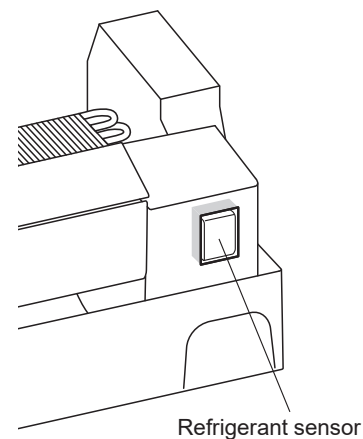
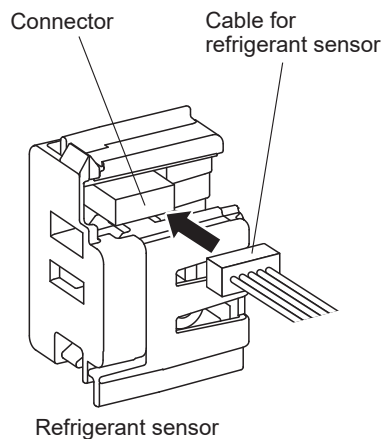
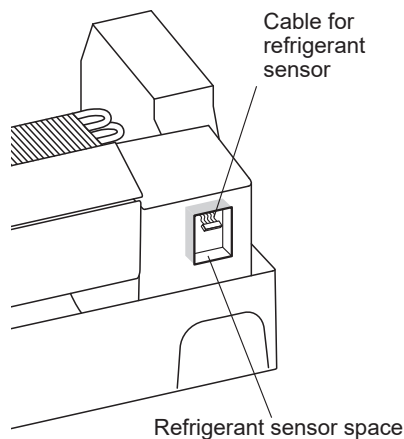
2-2. REFRIGERANT SENSOR

When connecting or disconnecting the connectors, hold the housing of the connector. **DO NOT** pull the lead wires.

When replacing the existing refrigerant sensor, refer to the service handbook of the model.

For the detailed assembling method, refer to the indoor unit installation manual.

- (1) Remove the panel.
- (2) Find the cable for the refrigerant sensor on lower right corner of the unit.
- (3) Connect the cable to the refrigerant sensor connector.
- (4) Put in the refrigerant sensor to the refrigerant sensor space.
- (5) Close the panel.

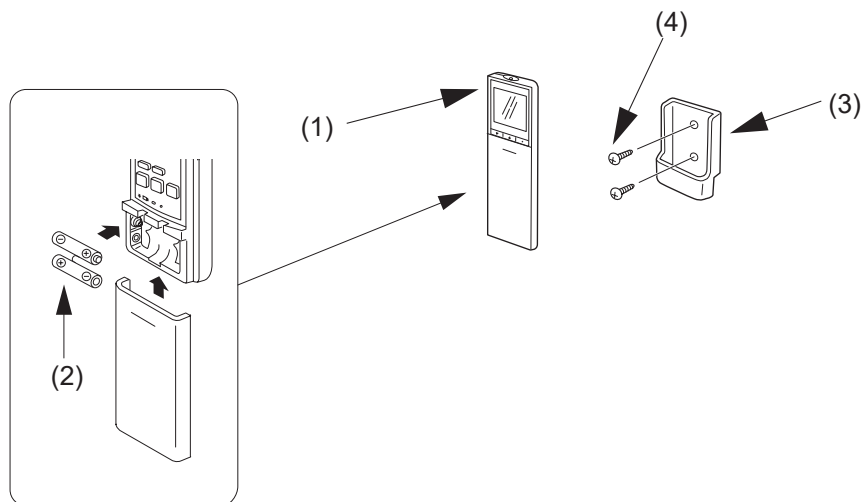


Model	Part No.
MSZ-FX06NL	MAC-100RS-E
MSZ-FX09NL	
MSZ-FX12NL	
MSZ-FX15NL	
MSZ-FX18NL	

2-3. REMOTE CONTROLLER

Model	Part No.	
	English	French
MSZ-FX06NL -CA1 MSZ-FX09NL -CA1 MSZ-FX12NL -CA1 MSZ-FX15NL -CA1 MSZ-FX18NL -CA1 MSZ-FX24NL -CA1	SH24T MAC-FL110M-E	SH24AB MAC-FL210M-E
MSZ-FX06NL -CA2 MSZ-FX09NL -CA2 MSZ-FX12NL -CA2 MSZ-FX15NL -CA2 MSZ-FX18NL -CA2 MSZ-FX24NL -CA2	-	SH24AB MAC-FL210M-E

No.	Part Name	Quantity
(1)	Wireless remote controller	1
(2)	Battery (AAA) for (1)	2
(3)	Remote controller holder	1
(4)	Screws for the remote controller holder (3)	2



mitsubishi electric corporation

HEAD OFFICE: TOKYO BUILDING, 2-7-3, MARUNOUCHI, CHIYODA-KU, TOKYO 100-8310, JAPAN

© Copyright 2025 MITSUBISHI ELECTRIC CORPORATION

Issued: Mar. 2026. No. OBB960 REVISED EDITION-B

Issued: Apr. 2025. No. OBB960 REVISED EDITION-A

Published: Feb. 2025. No. OBB960

Made in Japan

Specifications are subject to change without notice.