

OUTDOOR UNIT PARTS CATALOG

No. OBB753
REVISED EDITION-A

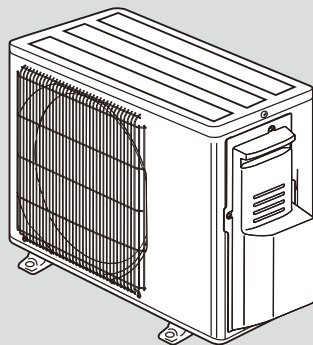
Models

MUFZ-KJ09NAHZ - U1

MUFZ-KJ12NAHZ - U1

MUFZ-KJ15NAHZ - U1

MUFZ-KJ18NAHZ - U1



MUFZ-KJ09NAHZ
MUFZ-KJ12NAHZ

CONTENTS

1. SERVICE PARTS LIST 2

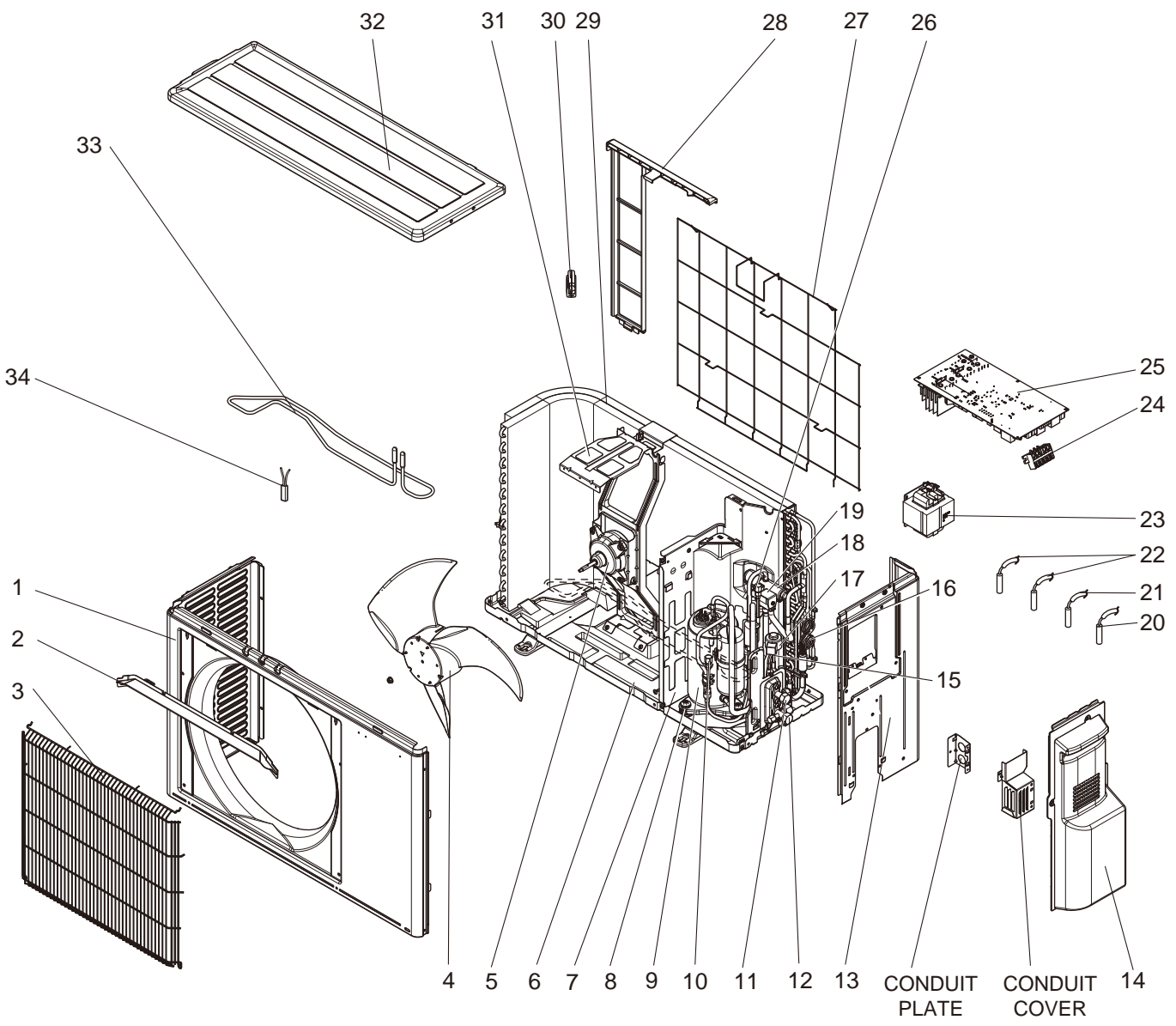
SERVICE MANUAL (OBH753)

Revision A:

• Some descriptions have been modified.

1 SERVICE PARTS LIST

**MUFZ-KJ09NAHZ MUFZ-KJ12NAHZ
1-1. OUTDOOR UNIT STRUCTURAL PARTS, ELECTRICAL PARTS AND FUNCTIONAL PARTS**

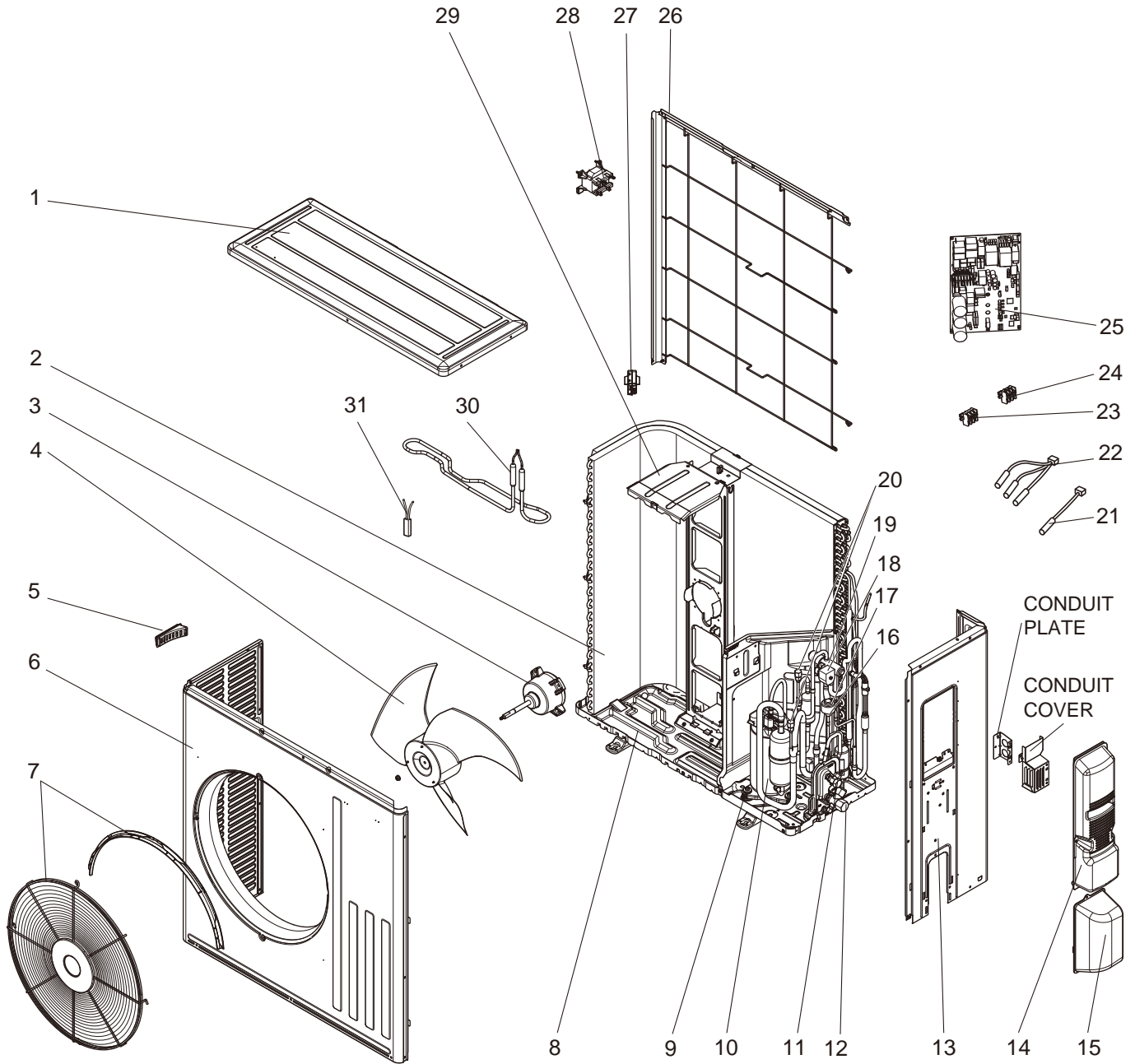


1-1. OUTDOOR UNIT STRUCTURAL PARTS AND FUNCTIONAL PARTS

1. The part quantity below indicates the required number of pieces per unit.
2. The circled No. indicates that the part is not shown in the figure.

No.	Part No.	Part Name	Symbol in Wiring Diagram	MUFZ-KJ09NAHZ	MUFZ-KJ12NAHZ	Remarks
1	U01 A01 232	CABINET		1	1	
2	U01 A01 531	ICE GUARD		1	1	
3	U01 A01 521	GRILLE (OUT)		1	1	
4	U01 A01 501	PROPELLER FAN		1	1	
5	U01 A01 301	OUTDOOR FAN MOTOR	MF	1	1	RC0J55-□□
6	U01 A01 290	BASE		1	1	
7	U01 A01 293	SEPARATOR		1	1	
8	U01 A01 506	COMPRESSOR RUBBER SET		3	3	3 RUBBERS/SET
9	U01 A02 900	COMPRESSOR (SNB140FQUMT)	MC	1	1	SNB140FQUMT
10	U01 A01 641	SERVICE PORT (L)		1	1	
11	U01 A01 662	STOP VALVE (LIQ)		1	1	ø3/8 (ø9.52)
12	U01 A01 661	STOP VALVE (GAS)		1	1	ø1/4 (ø6.35)
13	U01 A01 233	BACK PANEL (OUT)		1	1	
14	U01 A01 245	SERVICE PANEL		1	1	
15	U01 A01 640	EXPANSION VALVE		1	1	
16	U01 A01 936	CAPILLARY TUBE		4	4	O.D. 0.118 x I.D. 0.079 x 8-9/32 (ø3.0 x ø2.0 x 210)
17	U01 A01 493	EXPANSION VALVE COIL	LEV	1	1	
18	U01 A01 961	4-WAY VALVE		1	1	
19	U01 A01 490	R.V. COIL	21S4	1	1	
20	U01 A02 308	AMBIENT TEMPERATURE THERMISTOR	RT65	1	1	
21	U01 A02 307	OUTDOOR HEAT EXCHANGER TEMPERATURE THERMISTOR	RT68	1	1	
22	U01 A01 306	THERMISTOR SET	RT61, RT62	1	1	DEFROST, DISCHARGE
23	U01 A01 337	REACTOR	L61	1	1	
24	U01 A01 374	TERMINAL BLOCK	TB	1	1	5 P
25	U01 A18 451	INVERTER P.C. BOARD		1		Includes heat sink and RT64
	U01 A19 451			1		
26	U01 A02 641	SERVICE PORT (H)		1	1	
27	U01 A01 525	CONDENSER WIRE NET		1	1	
28	U01 A01 523	CONDENSER NET		1	1	
29	U01 A01 630	OUTDOOR HEAT EXCHANGER		1	1	
30	U01 A01 079	THERMO HOLDER		1	1	
31	U01 A01 515	MOTOR SUPPORT		1	1	
32	U01 A01 297	TOP PANEL		1	1	
33	U01 A01 526	DEFROST HEATER	H	1	1	Includes lead assembly
34	U01 A01 381	HEATER PROTECTOR	26H	1	1	
③5	U01 A02 936	CAPILLARY TUBE		1	1	O.D. 0.157 x I.D. 0.094 x 9-7/16 (ø4.0 x ø2.4 x 240)

MUFZ-KJ15NAHZ MUFZ-KJ18NAHZ
1-2. OUTDOOR UNIT STRUCTURAL PARTS, ELECTRICAL PARTS AND FUNCTIONAL
PARTS



1-2. OUTDOOR UNIT STRUCTURAL PARTS, ELECTRICAL PARTS AND FUNCTIONAL PARTS

Part numbers that are circled are not shown in the illustration.

No.	Part No.	Part Name	Symbol in Wiring Diagram	Q'ty/unit		Remarks
				MUFZ-KJ		
				15NAHZ	18NAHZ	
1	E22 L87 297	TOP PANEL		1	1	
2	E22 T44 630	OUTDOOR HEAT EXCHANGER		1	1	
3	E22 F76 301	OUTDOOR FAN MOTOR	MF	1	1	RC0J77-□□
4	E22 F28 501	PROPELLER FAN		1	1	
5	E22 817 009	HANDLE		1	1	
6	E22 L87 232	CABINET		1	1	
7	E22 L87 521	FAN GUARD		1	1	Includes ice guard
8	E22 H25 290	BASE		1	1	
9	E22 C34 506	COMPRESSOR RUBBER SET		3	3	3 RUBBERS/SET
10	E22 89R 900	COMPRESSOR (SNB172FQKMT)	MC	1	1	SNB172FQKMT
11	E22 L87 662	STOP VALVE (LIQ)		1	1	ø1/4 (ø6.35)
12	E22 L87 661	STOP VALVE (GAS)		1	1	ø1/2 (ø12.7)
13	E22 L87 233	BACK PANEL (OUT)		1	1	
14	E22 L87 245	SERVICE PANEL		1	1	
15	E22 F28 650	VALVE COVER		1	1	
16	E22 851 640	EXPANSION VALVE		1	1	
17	E22 F28 493	EXPANSION VALVE COIL	LEV	1	1	
18	E22 F76 490	R.V. COIL	21S4	1	1	
19	E22 A56 961	4-WAY VALVE		1	1	
20	E22 E79 641	SERVICE PORT (H, L)		2	2	
21	E22 J52 309	AMBIENT TEMPERATURE THERMISTOR	RT65	1	1	
22	E22 F28 308	THERMISTOR SET	RT61, RT62, RT68	1	1	DEFROST, DISCHARGE, OUTDOOR HEAT EXCHANGER TEMPERATURE
23	E22 L87 374	TERMINAL BLOCK	TB1	1	1	3 P
24	E22 T16 374	TERMINAL BLOCK	TB2	1	1	3 P
25	E22 X52 451 E22 X53 451	INVERTER P.C. BOARD		1	1	Includes heat sink and RT64
26	E22 L87 523	CONDENSER NET		1	1	
27	E22 F76 079	THERMO HOLDER		1	1	
28	E22 F28 337	REACTOR	L	1	1	
29	E22 J52 515	MOTOR SUPPORT		1	1	
30	E22 J52 526	DEFROST HEATER	H	1	1	
31	E22 J52 381	HEATER PROTECTOR	26H	1	1	
③②	E27 250 382	FUSE	F65, F66	2	2	T6.3AL250V
③③	E27 001 241	FUSE HOLDER		2	2	
③④	E22 527 936	CAPILLARY TUBE		1	1	O.D. 0.157 × I.D. 0.094 × 3-15/16 (ø4.0 × ø2.4 × 100)

MITSUBISHI ELECTRIC CORPORATION

HEAD OFFICE: TOKYO BUILDING, 2-7-3, MARUNOUCHI, CHIYODA-KU, TOKYO 100-8310, JAPAN

© Copyright 2016 MITSUBISHI ELECTRIC CORPORATION

Issued: Apr. 2022 No. OBB753 REVISED EDITION-A

Published in Feb. 2016 No. OBB753

Made in Japan

Specifications are subject to change without notice.