

SERVICE PARTS LIST FOR MITSUBISHI ELECTRIC PACKAGED AIR-CONDITIONERS

Series : MVZ-A•AA4

For use with the R410A

REVISED

May 2015

BWE01432B

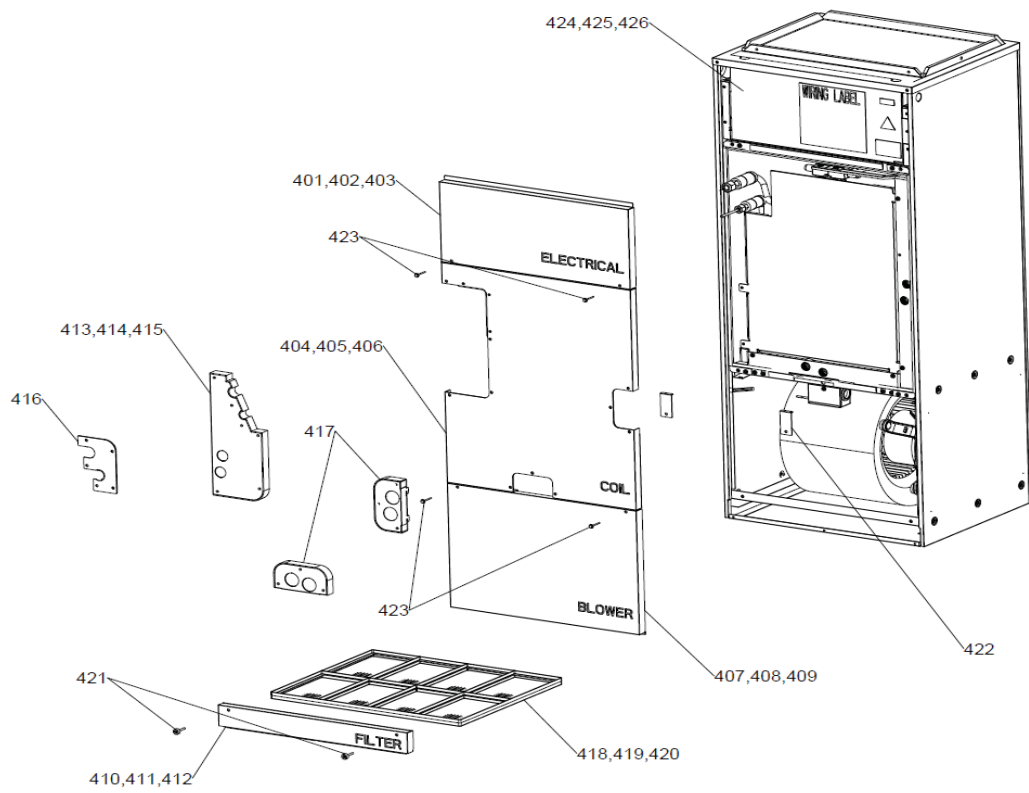
INDEX
MVZ-A12AA4
MVZ-A18AA4
MVZ-A24AA4
MVZ-A30AA4
MVZ-A36AA4

Part information update day : 2015/05/20

Please change the old catalog (issued Feb. 2015, No.BWE01432A) to this new catalog.

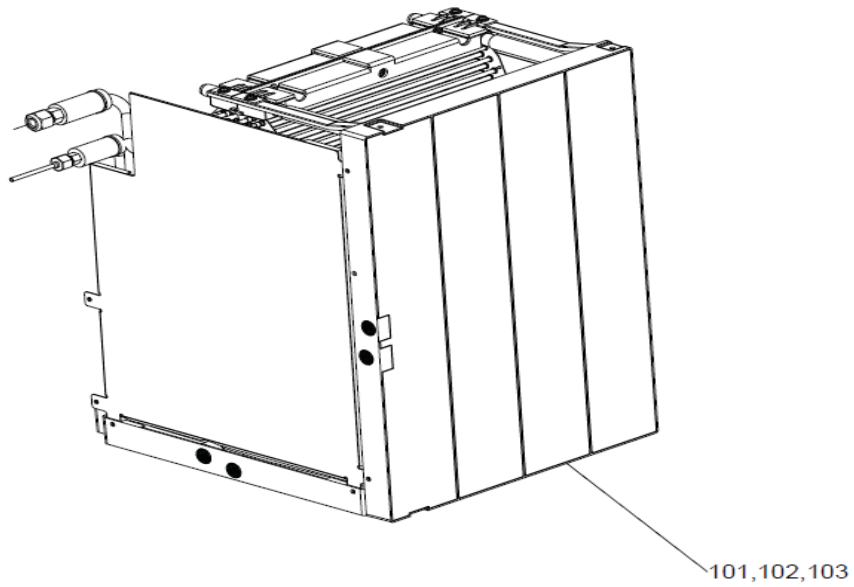
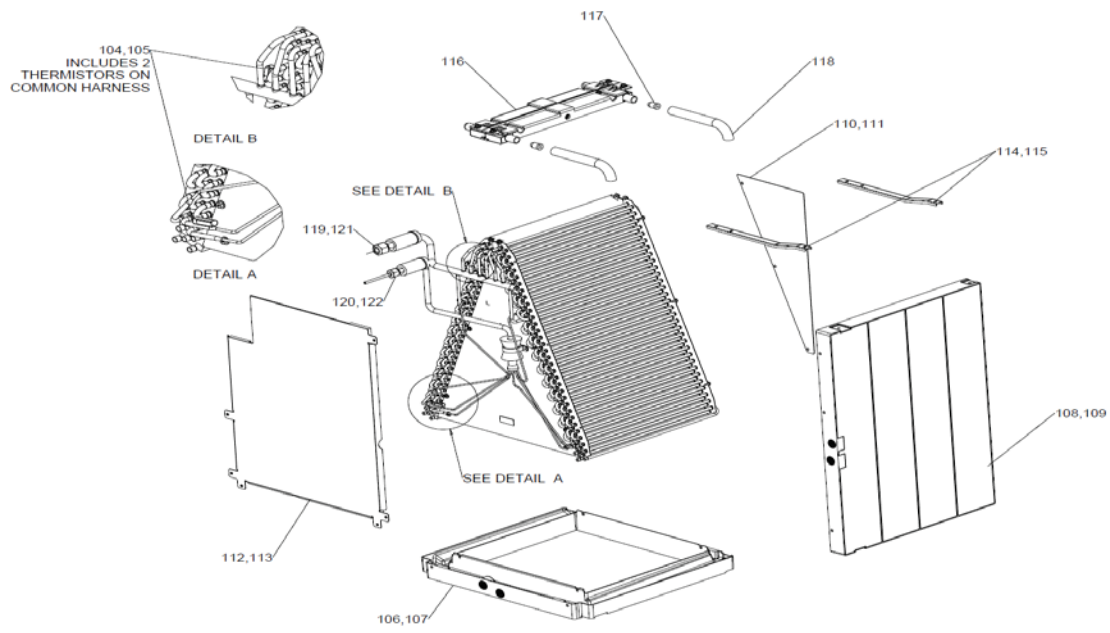
Content of revision : Some of parts are changed.





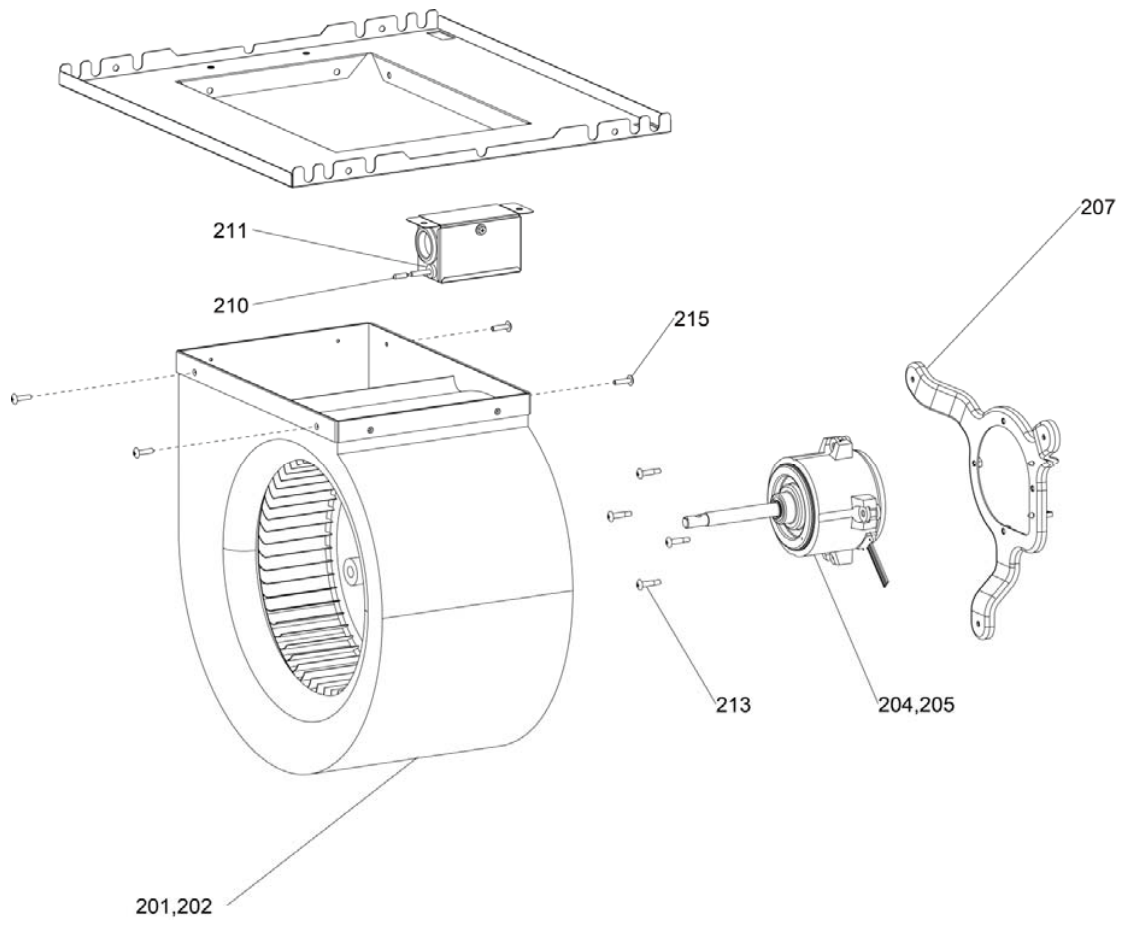
External Parts

No.	Part No.	Part Name	Spec.	MVZ-A12	MVZ-A18	MVZ-A24	MVZ-A30	MVZ-A36	Dwg. No.	Notes for models	Revision info.
401	U41 001 638	FRONT PANEL ELECTRICAL S		1	1	1			PA00C246G01		
402	U41 002 638	FRONT PANEL ELECTRICAL M					1	1	PA00C246G02		
403		FRONT PANEL ELECTRICAL L							PA00C246G03		
404	U41 001 639	FRONT PANEL HEX S		1	1	1			PA00B097G01		
405	U41 002 639	FRONT PANEL HEX M					1	1	PA00B097G02		
406		FRONT PANEL HEX L							PA00B097G03		
407	U41 001 637	FRONT PANEL BLOWER S		1	1	1			PA00C247G01		
408	U41 002 637	FRONT PANEL BLOWER M					1	1	PA00C247G02		
409		FRONT PANEL BLOWER L							PA00C247G03		
410	U41 001 636	FRONT PANEL FILTER S		1	1	1			PA00C251G01		
411	U41 002 636	FRONT PANEL FILTER M					1	1	PA00C251G02		
412		FRONT PANEL FILTER L							PA00C251G03		
413	U41 001 635	PIPE/DRAIN PANEL S		1	1	1			PA00C236G01		
414	U41 002 635	PIPE/DRAIN PANEL M					1	1	PA00C236G02		
415		PIPE/DRAIN PANEL L							PA00C236G03		
416	U41 004 635	PIPE PANEL		1	1	1	1	1	PA00D164G01		
417	U41 005 635	DRAIN PANEL		2	2	2	2	2	PA00D162G01		
418	U41 004 500	FILTER-PLASTIC S		1	1	1			PA35B051G01	16X20	
419	U41 005 500	FILTER-PLASTIC M					1	1	PA35B052G01	20X20	
420		FILTER-PLASTIC L							PA35B053G01	24X20	
421	U41 001 087	PLASTIC THUMBSCREW		2	2	2	2	2	PA12D179H01	M5X35	
422	U41 001 086	COIL BRACKET		1	1	1	2	2	PA00D163G01		
423	U41 002 087	SCREW M5X40		4	4	4	4	4	PA12D177H01		
424	U41 001 812	COVER CONTROL BOX S		1	1	1			PA02C150H01		
425	U41 002 812	COVER CONTROL BOX M					1	1	PA02C141H01		
426		COVER CONTROL BOX L							PA02C132H01		



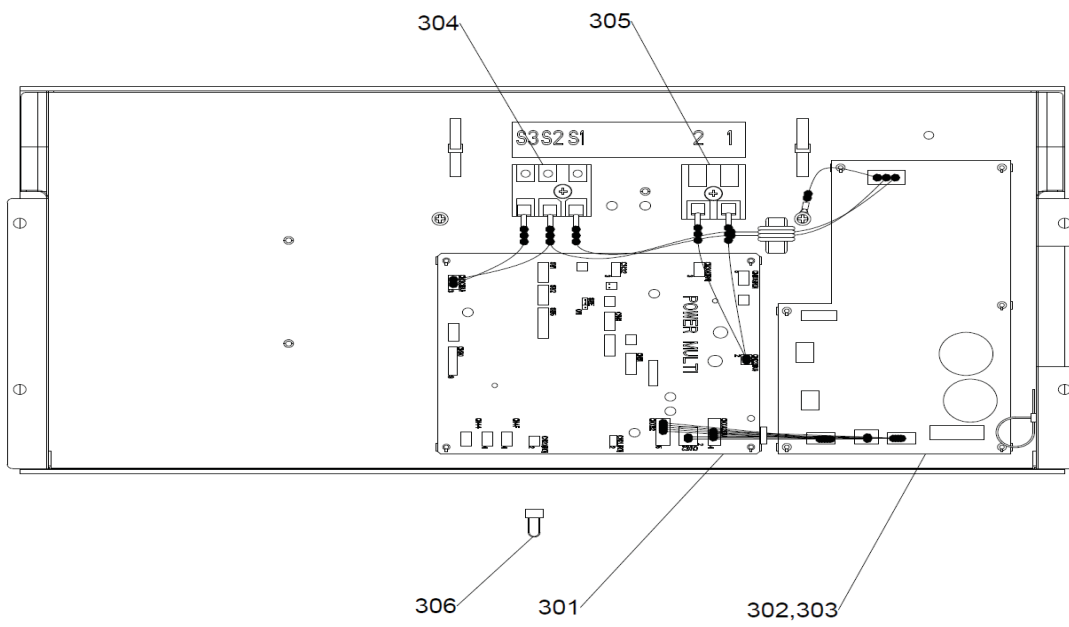
Hex Assembly Parts

No.	Part No.	Part Name	Spec.	MVZ-A12	MVZ-A18	MVZ-A24	MVZ-A30	MVZ-A36	Dwg. No.	Notes for models	Revision info.
101	U41 018 480	HEAT EXCHANGER A12		1	1				PA00B026B01	Includes all hex parts	
102	U41 019 480	HEAT EXCHANGER A24				1			PA00B026B02	Includes all hex parts	
103	U41 016 480	HEAT EXCHANGER A30					1	1	PA00B101B01	Includes all hex parts	
104	U41 003 200	THERMISTOR		1	1	1			KB71B945H05		
105	U41 004 200	THERMISTOR					1	1	KB71B945H06		
106	U41 006 529	DRAIN PAN ASSY LOWER S		1	1	1			PA00B098G01		
107	U41 007 529	DRAIN PAN ASSY LOWER M					1	1	PA00B098G02		
108	U41 009 529	DRAIN PAN ASSY SIDE S		1	1	1			PA00C248G01		
109	U41 010 529	DRAIN PAN ASSY SIDE M					1	1	PA00C248G02		
110	U41 001 668	PLATE GUIDE REAR S		1	1	1			PA00D171G01		
111	U41 002 668	PLATE GUIDE REAR M					1	1	PA00D171G02		
112	U41 004 668	PLATE GUIDE FRONT S		1	1	1			PA00C242G01		
113	U41 005 668	PLATE GUIDE FRONT M					1	1	PA00C242G02		
114	U41 001 662	SIDE PAN BRACKET S		2	2	2			PA02C077H01		
115	U41 002 662	SIDE PAN BRACKET M					2	2	PA02C078H01		
116	U41 012 529	DRAIN PAN ASSY TOP		2	2	2	2	2	PA00C279G01		
117	U41 002 558	PLUG-TOP DRAIN PAN		4	4	4	4	4	C126C778H17		
118	U41 001 525	HOSE-TOP DRAIN PAN		2	2	2	2	2	PA27D214H02		
119	U41 003 122	NUT FLARE 1/2F		1	1				BG12S008H02		
120	U41 001 122	NUT FLARE 5/8				1	1	1	BG12S826H03		
121	U41 004 122	NUT FLARE 1/4		1	1				Z211A143H01		
122	U41 002 122	NUT FLARE 3/8				1	1	1	Z211A143H06		



Blower Parts

No.	Part No.	Part Name	Spec.	MVZ-A12	MVZ-A18	MVZ-A24	MVZ-A30	MVZ-A36	Dwg. No.	Notes for models	Revision info.
201	U41 008 129	FAN CASE S		1	1	1			PA00C499G01	INCLUDES NO.215	Chg.
202	U41 009 129	FAN CASE M					1	1	PA00C499G02	INCLUDES NO.215	Chg.
203		FAN CASE L							PA00C499G03	INCLUDES NO.215	Chg.
204	U41 003 128	BLOWER MOTOR S		1	1	1			PA61B071H02		
205	U41 004 128	BLOWER MOTOR M					1	1	PA61B072H02		
206		BLOWER MOTOR L							PA61B073H03		
207	U41 001 130	MOTOR BRACKET S M		1	1	1	1	1	PA00D167G02		
208		MOTOR BRACKET L							PA00D168G01		
209		RUBBER GROMMET							PA32D195H01		
210	U41 001 287	THERMISTOR RETURN AIR		1	1	1	1	1	PA71C160H01		
211	U41 002 104	BUSHING SRB-R-2		1	1	1	1	1	KB32K138H01		
213	U41 005 087	BOLT MOTOR (S, M)		4	4	4	4	4	PA12D178H01		
214		BOLT MOTOR (L)							PA12D194H01		
215	U41 007 087	SCREW M5X20		4	4	4	4	4	PA12D247H01		Add



Control Box Parts

No.	Part No.	Part Name	Spec.	MVZ-A12	MVZ-A18	MVZ-A24	MVZ-A30	MVZ-A36	Dwg. No.	Notes for models	Revision info.
301	U41 008 280	PCA ASSY PVA/MVZ		1	1	1	1	1	PA95D226G02	INCLUDES NO.306	
302	U41 005 280	PCA BOARD POWER		1	1	1			KE95B740F04		
303	U41 006 280	PCA BOARD POWER					1	1	KE95B740F05		
304	U41 004 246	TERMINAL BLOCK ASSY		1	1	1	1	1	BH00C267G02		
305	U41 003 246	TERMINAL BLOCK		1	1	1	1	1	BG00R200G62		
306	U41 001 G08	JUMPER CONNECTOR		1	1	1	1	1	BB00M192G08	CN4F	

MITSUBISHI ELECTRIC CORPORATION

BWE01432B (20150531)