

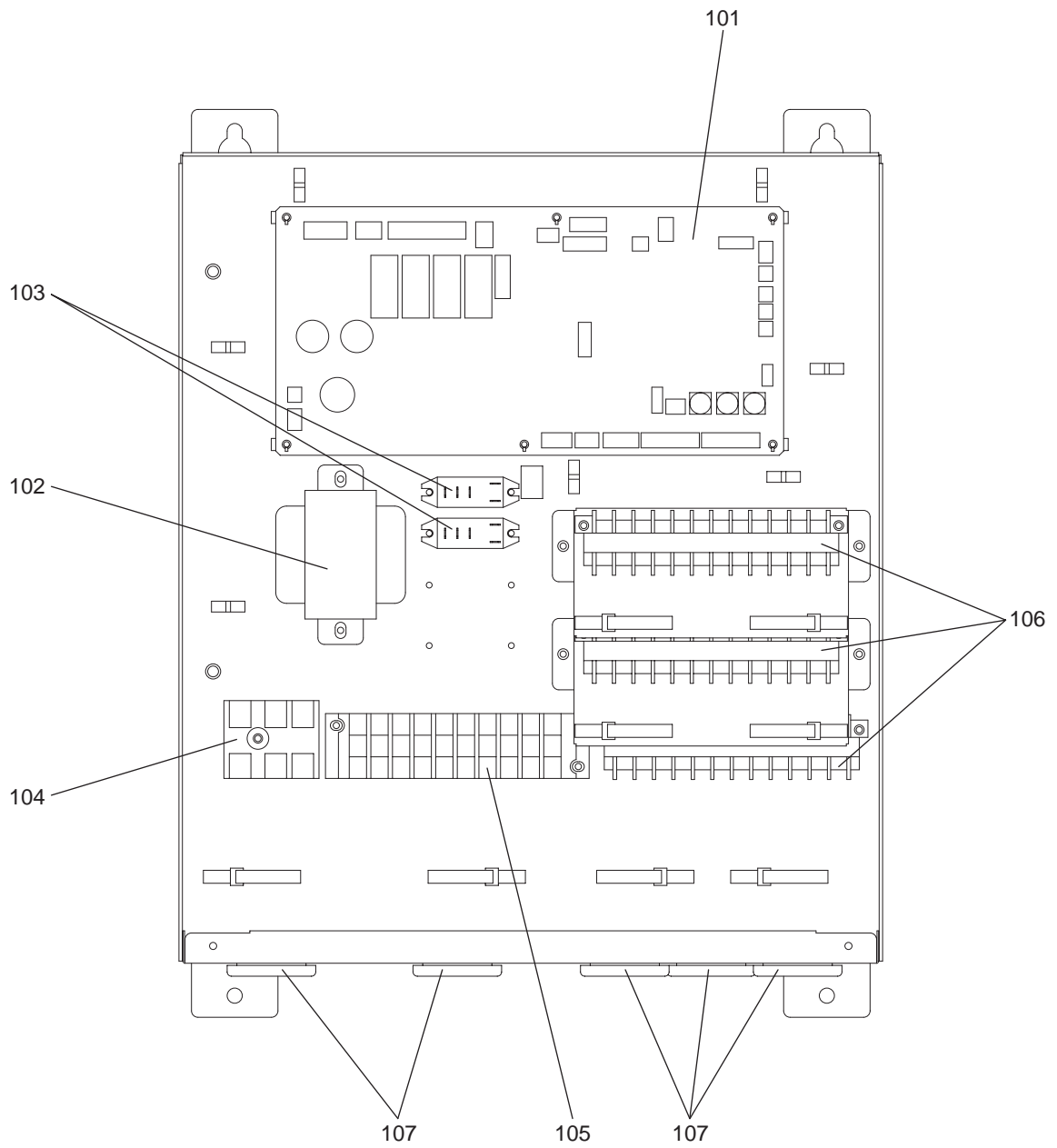
SERVICE PARTS LIST FOR MITSUBISHI ELECTRIC AIR HANDLING UNIT CONTROLLER

Series : PAC-AH•M-J

July 2010

BWE10060

INDEX
PAC-AH125M-J
PAC-AH140M-J
PAC-AH250M-J
PAC-AH500M-J



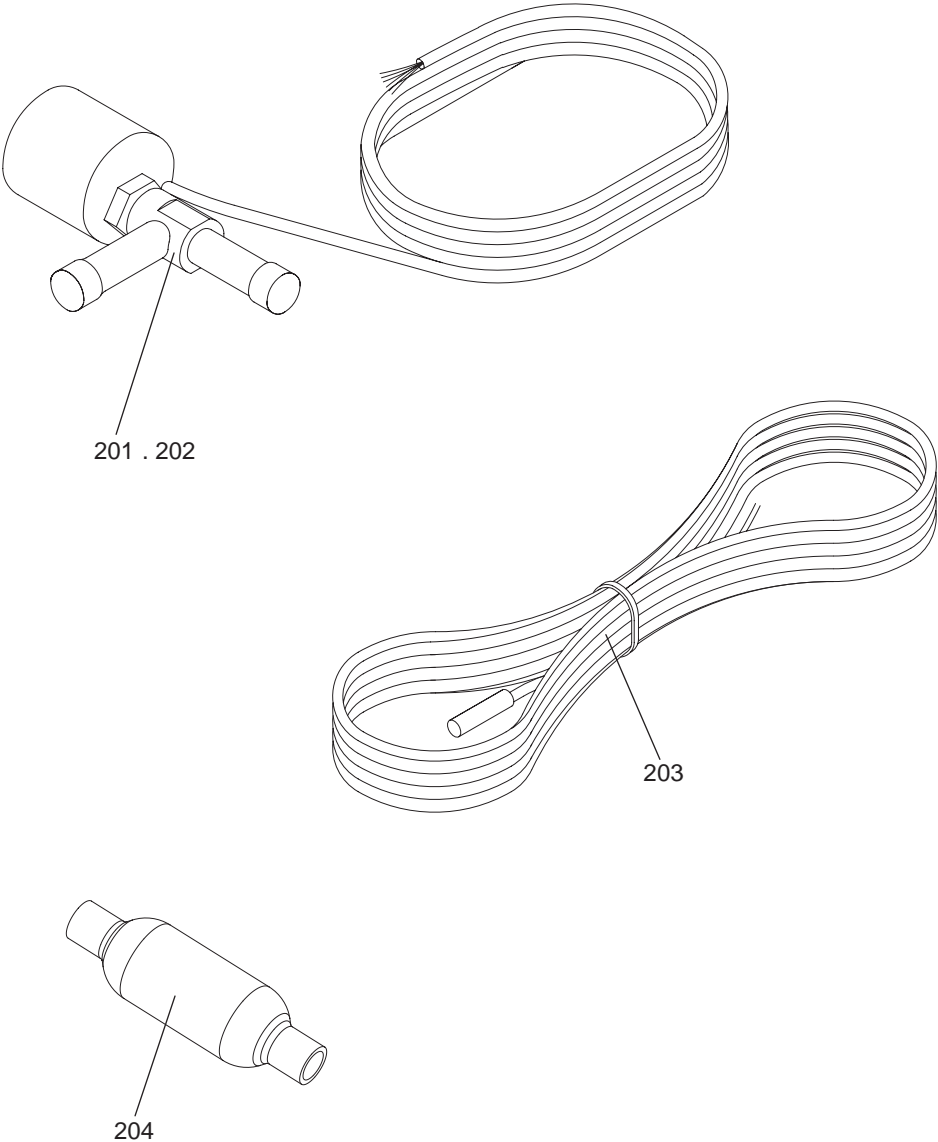
PAC-AH125,AH140M-J
PAC-AH250,AH500M-J

CONTROL BOX PARTS

No.	Part No.	G : RoHS Apply Only W: RoHS Apply by Running Change	Part Name	Spec.	PAC-AH125M-J	PAC-AH140M-J	PAC-AH250M-J	PAC-AH500M-J		Dwg. No.	Notes for the models	Revision info.
102	R61 004 260	G	Transformer		1	1	1	1		P715419X01		
103	R63 924 963	G	Relay		2	2	2	2		P421187X01		
104	R61 021 246	G	Terminal block		1	1	1	1		BH00C267G05		
105	R63 511 236	G	Terminal block		1	1	1	1		S436005H14		
106	R63 145 246	G	Terminal block		3	3	3	3		S436002H07		
107	R13 001 860	G	Rubber bush		7	7	7	7		S695007H32		

PAC-AH125,AH140M-J
PAC-AH250,AH500M-J

ACCESSORY PARTS



No.	Part No.	G : RoHS Apply Only W: RoHS Apply by Running Change		Spec.	PAC-AH125M-J	PAC-AH140M-J	PAC-AH250M-J	PAC-AH500M-J	Dwg. No.	Notes for the models	Revision info.
		Part Name									
201	R61 039 401	G	Linear expansion valve	EFM80	1		2	4	KD00C793G01		
202	R61 038 401	G	Linear expansion valve	EFM100		1			KD00C793G02		
203	R61 132 200	G	Thermistor		4	4	4	4	P418097X01		
204	R63 A42 454	G	Strainer		2	2	4	8	W882823G01		

