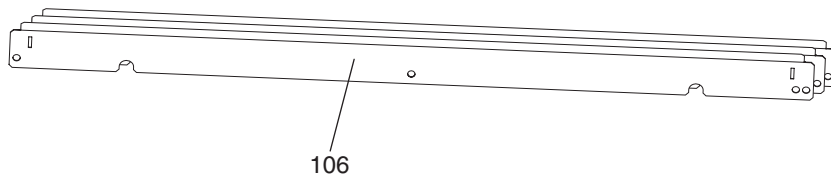
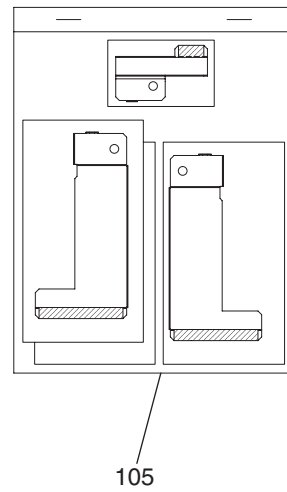
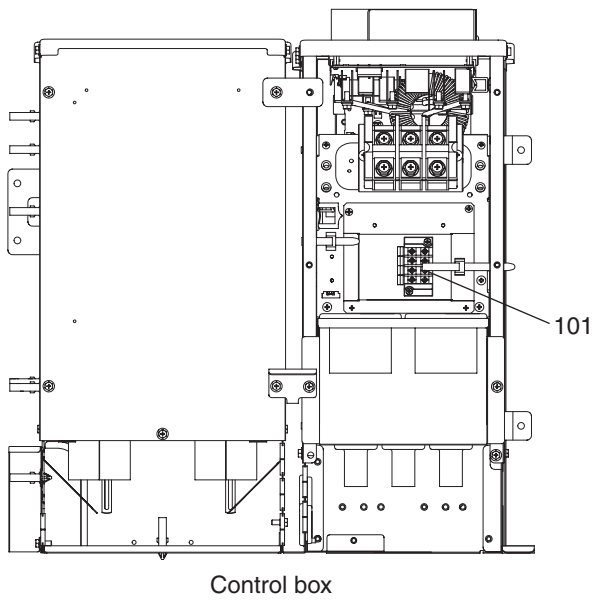
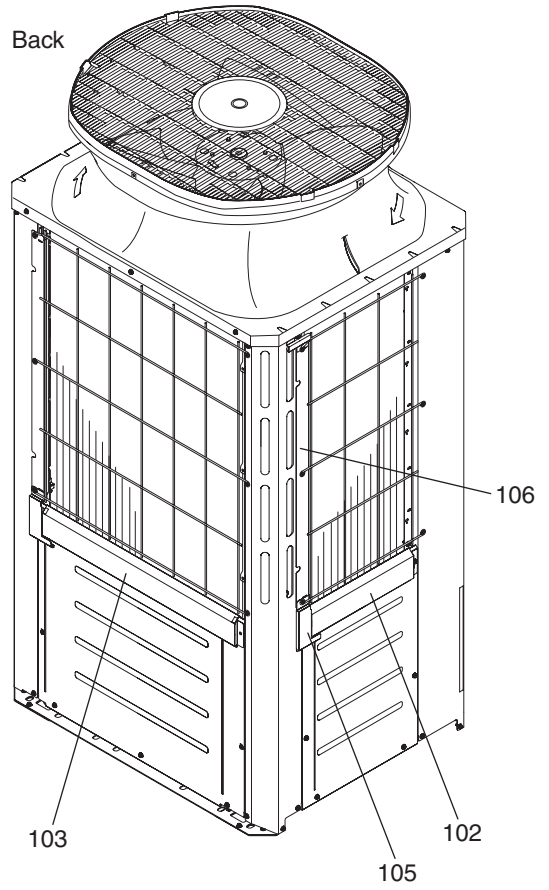
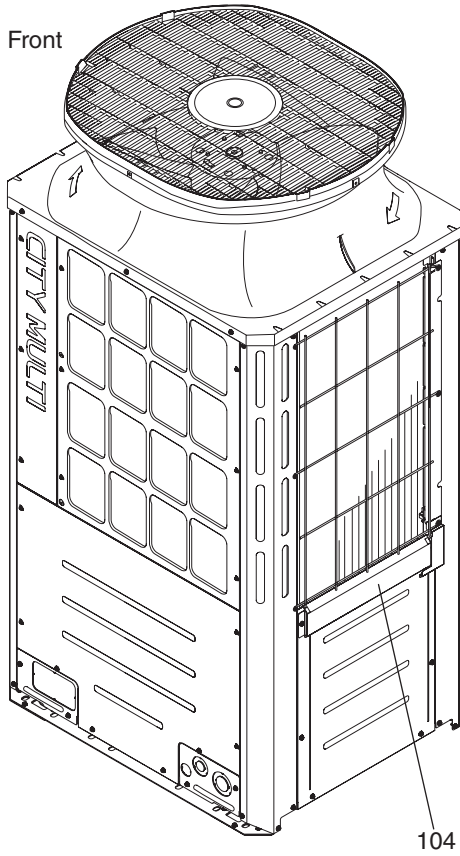


SERVICE PARTS LIST FOR MITSUBISHI ELECTRIC PACKAGED AIR-CONDITIONERS

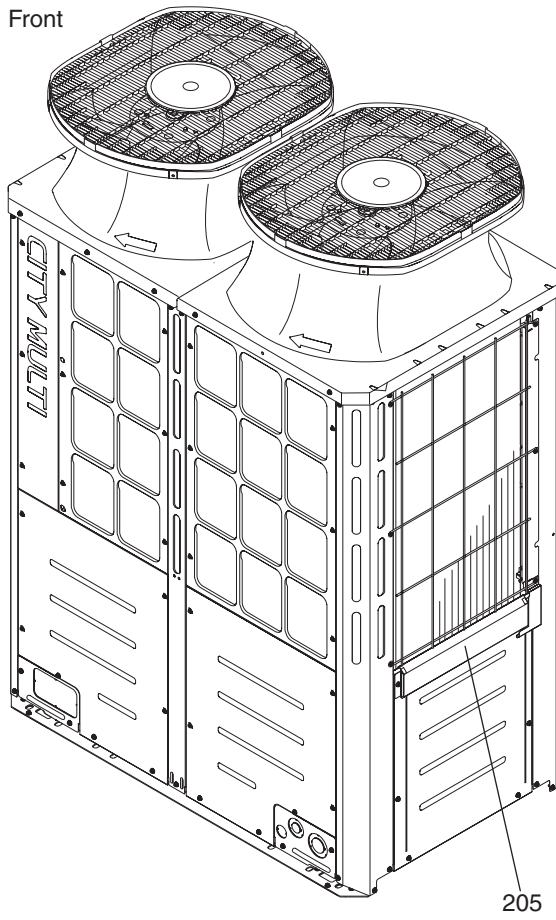
Series : PAC-PH•EHYU-E

Feb. 2018
BWE018300

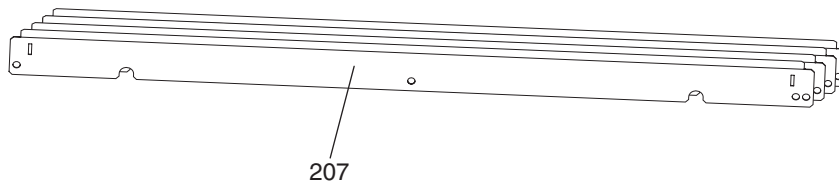
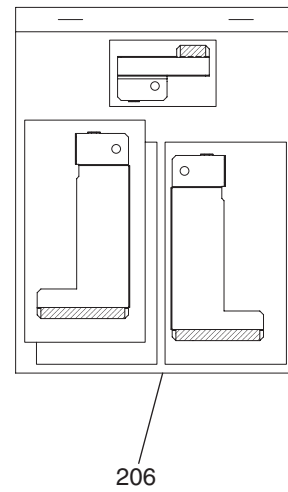
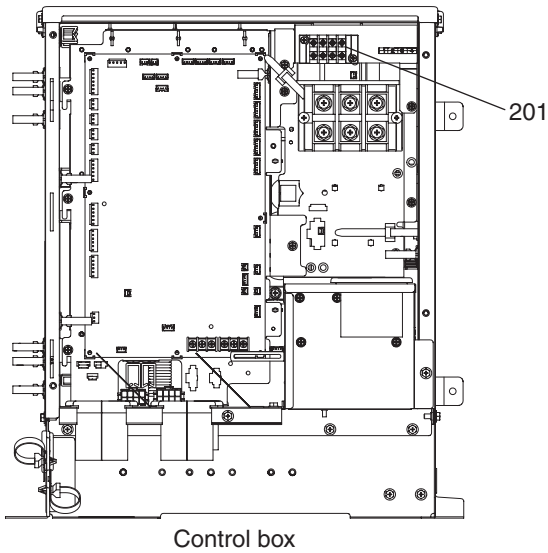
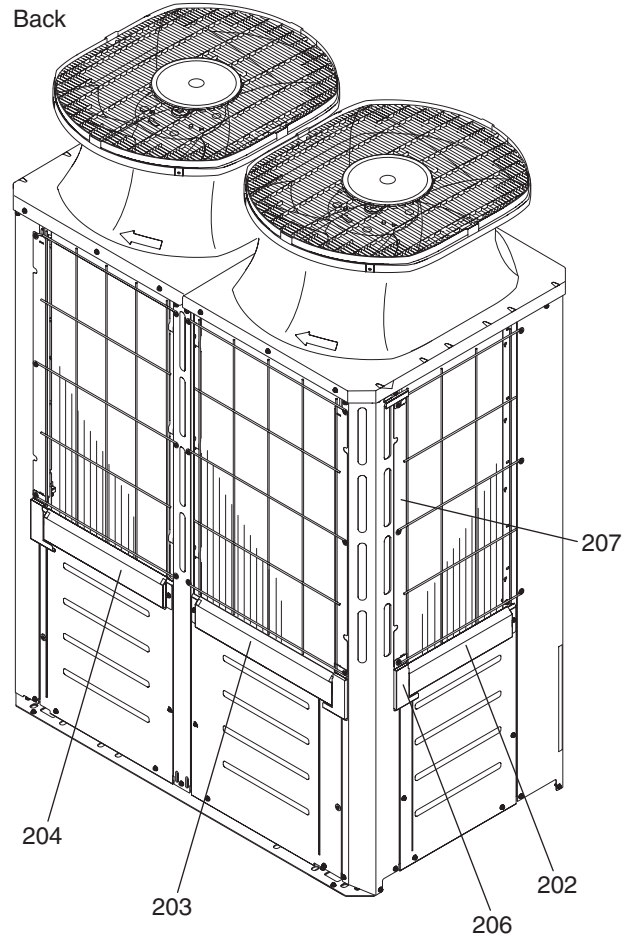
INDEX
PAC-PH01EHYU-E
PAC-PH02EHYU-E
PAC-PH03EHYU-E

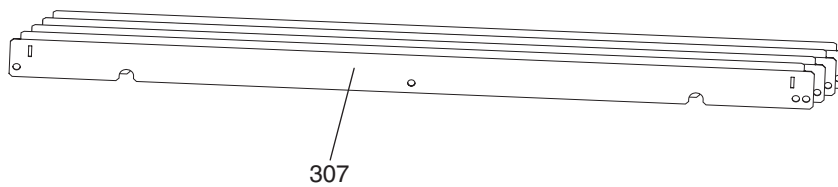
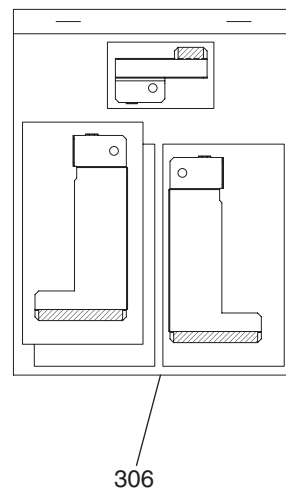
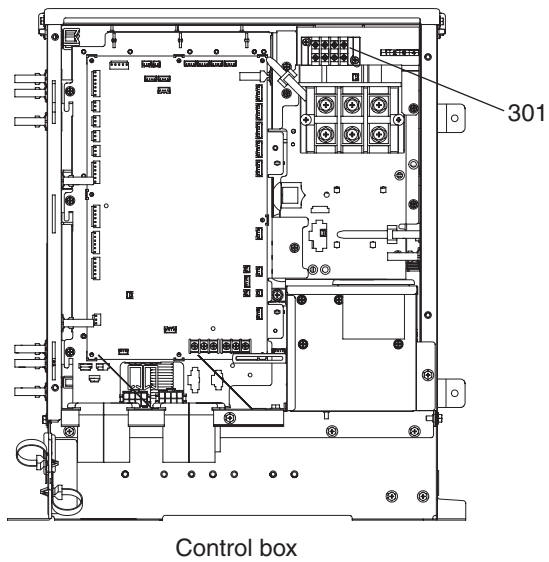
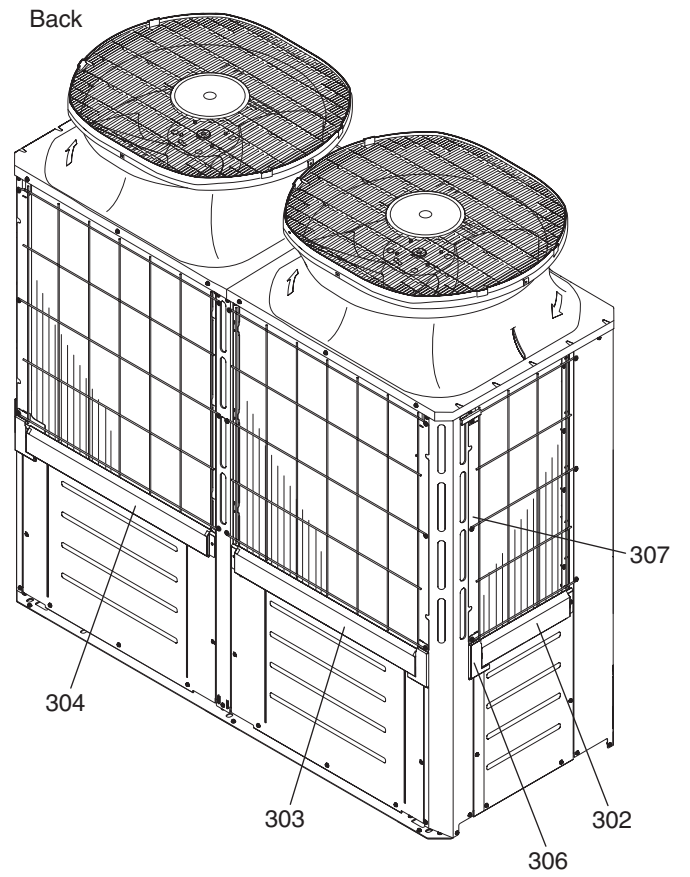
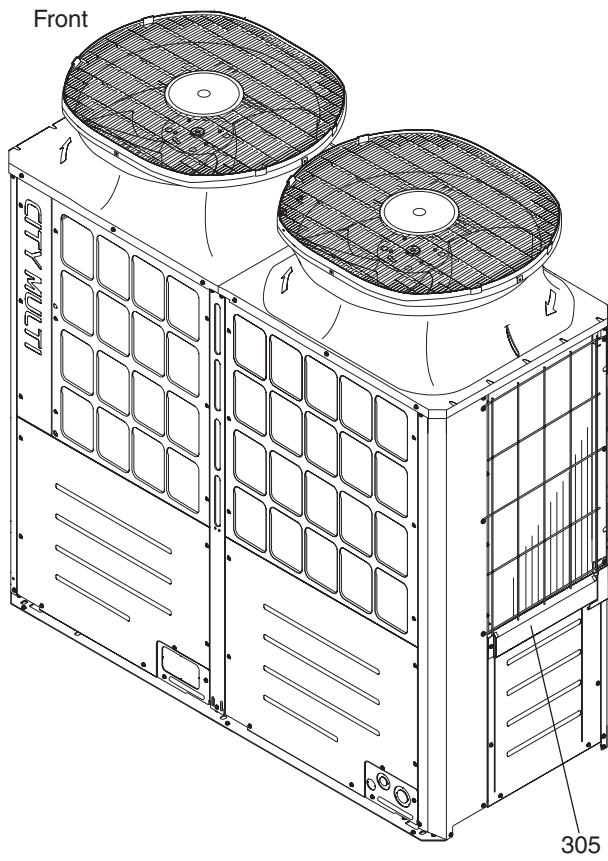


Front



Back





mitsubishi
electric
corporation

BWE018300 (20190331)