

SERVICE PARTS LIST FOR MITSUBISHI ELECTRIC PACKAGED AIR-CONDITIONERS

**Series : PEA-A•AAR2.TH
PEA-A•AAR1.TH
PEA-A•AA4R1.TH**

REVISED
Dec. 2016
BWE1148B

INDEX

**PEA-A12AAR2.TH
PEA-A18AAR1.TH
PEA-A12AA4R1.TH
PEA-A18AA4R1.TH**

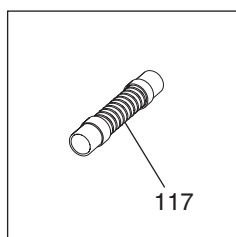
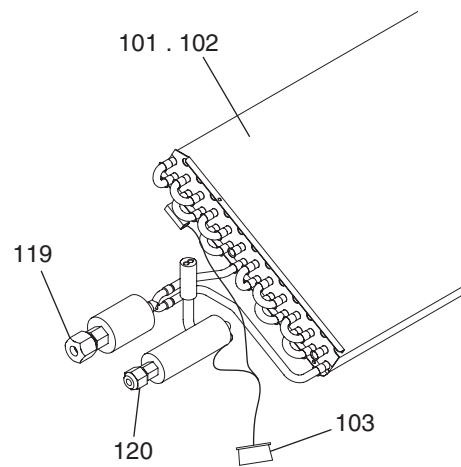
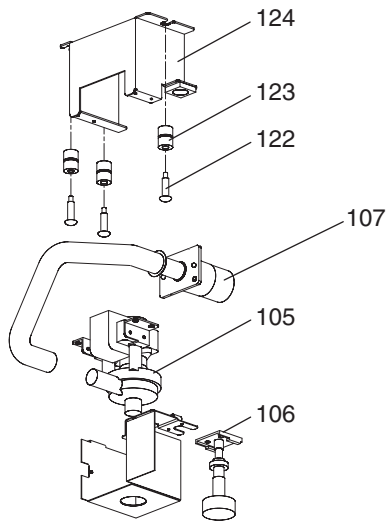
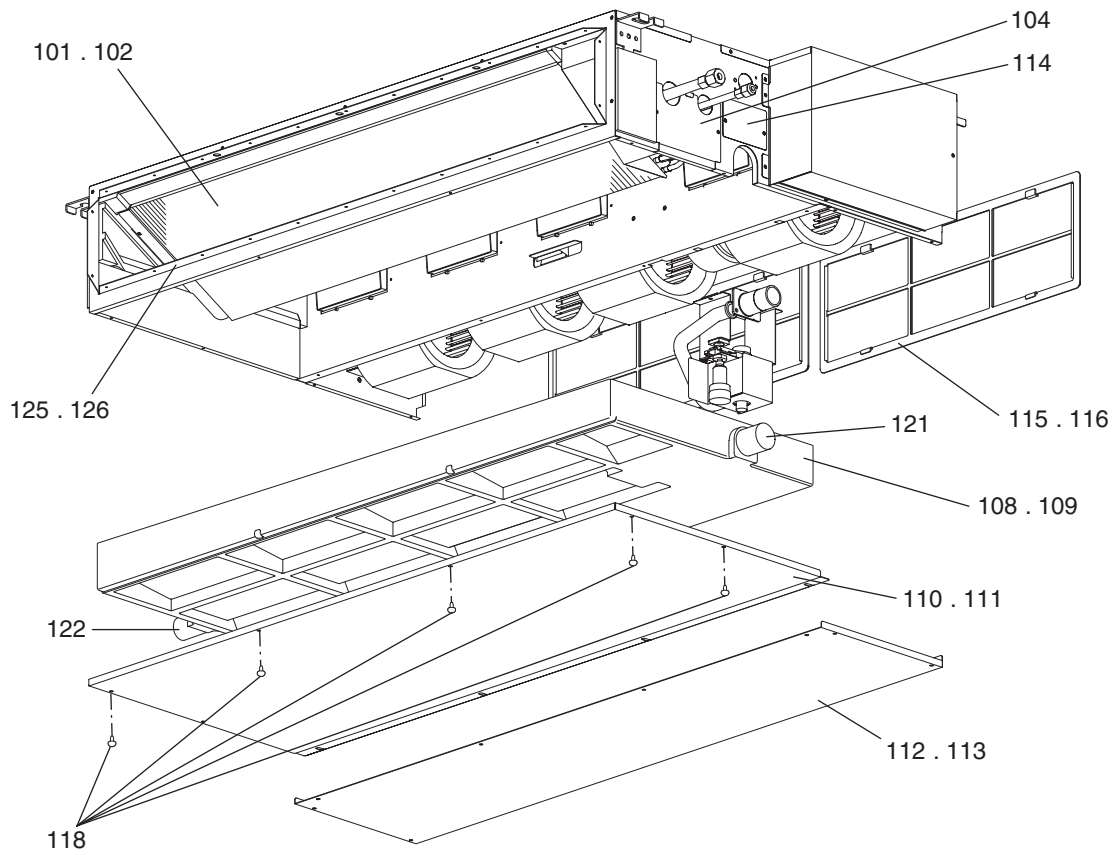
Part information update day : **2016/12/26**

Please change the old catalog (issued July 2016, No.BWE1148A) to this new catalog.
Content of revision : Some of parts are changed.



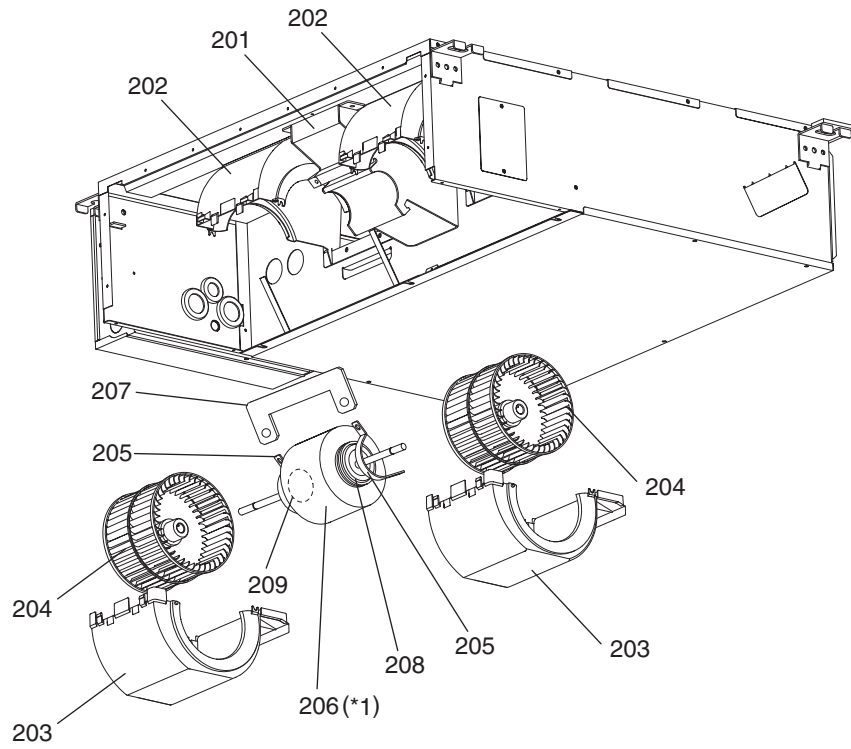
PEA-A12AAR2.TH
PEA-A18AAR1.TH
PEA-A12,A18AA4R1.TH

EXTERNAL PARTS



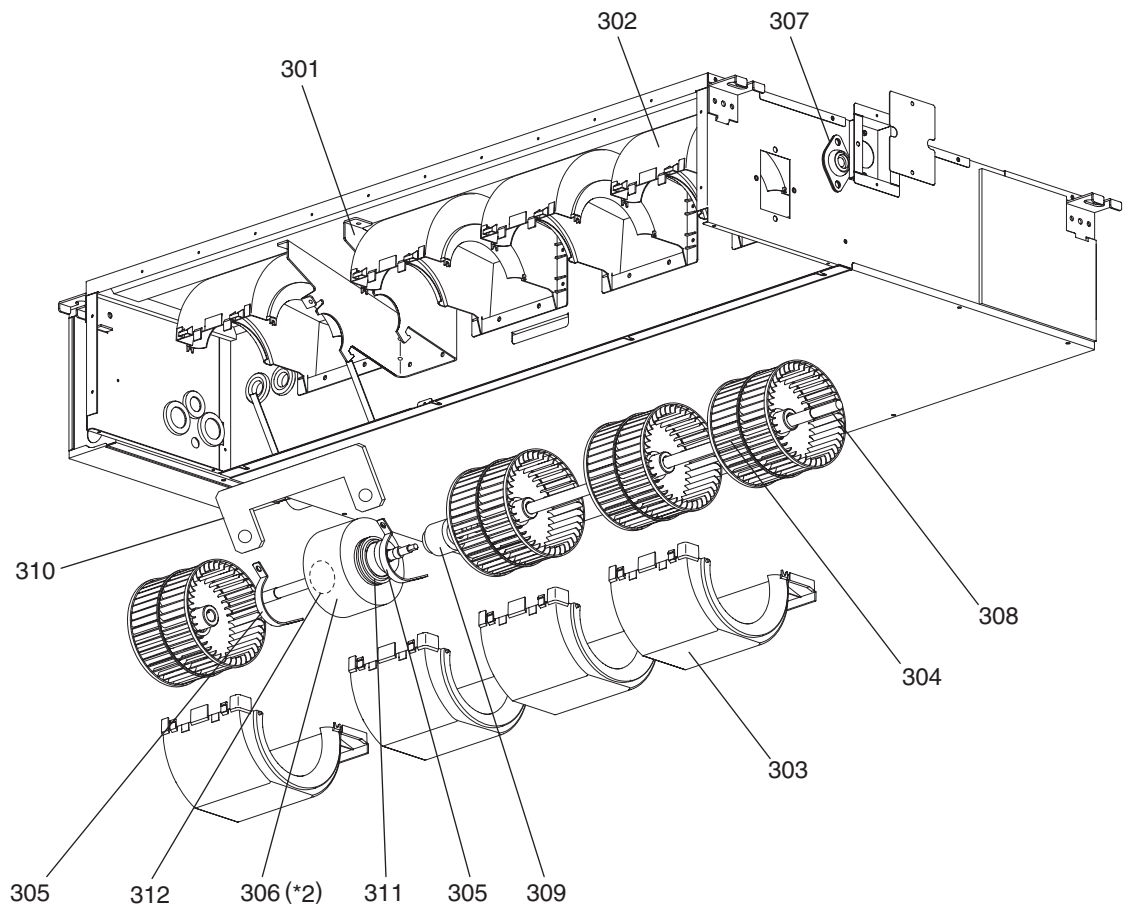
EXTERNAL PARTS

No.	Part No.	G : RoHS Apply Only W : RoHS Apply by Running Change	Part Name	Spec.	PEA-A12AAR2.TH	PEA-A18AAR1.TH	PEA-A12AA4R1.TH	PEA-A18AA4R1.TH	Dwg. No.	Notes for the models	Revision info.
101	E17 585 620	G	HEAT EXCHANGER		1		1		KB00A076B05	<K35>	
102	E17 531 620	G	HEAT EXCHANGER			1	1		KB00A078B11	<K60>	
103	E17 319 307	G	THERMISTOR		1	1	1	1	RG71V202G01		
104	E17 319 690	G	COVER PIPE ASSY		1	1	1	1	KB00H214G02		
105	E17 409 355	G	PUMP	PLD	1	1	1	1	KB56B515H02		
106	E17 409 145	G	FLOAT SWITCH		1	1	1	1	BH68C952H02		
107	E17 409 704	G	SOCKET ASSY		1	1	1	1	KB00G754G01		
108	E17 475 700	G	DRAIN PAN M ASSY		1		1		KB00G775G17		
109	E17 477 700	G	DRAIN PAN L ASSY			1		1	KB00G775G18		
110	E17 475 717	G	PANEL UNDER 1 M ASSY		1		1		KB00G776G11		
111	E17 477 717	G	PANEL UNDER 1 L ASSY			1		1	KB00G776G12		
112	E17 320 718	G	PANEL UNDER 2 M		1		1		KB02B457G01		
113	E17 326 718	G	PANEL UNDER 2 L			1		1	KB02A071G02		
114	E17 409 690	G	COVER ASSY		1	1	1	1	KB00H222G03		
115	E17 320 100	G	FILTER 40		1		1		KB35B207G02		
116	E17 326 100	G	FILTER 63			2		2	KB35B208G02		
117	E17 319 702	G	DRAIN HOSE		1	1	1	1	KB27T150H02		
118	E17 319 250	G	SCREW ASSY		5	5	5	5	KB12H389G01		
119	E17 321 660	G	NUT FLARE	1/2	1	1	1	1	BG12S008H01		
120	E17 320 660	G	NUT FLARE	1/4	1	1	1	1	Z211A143H01		
121	E17 414 524	G	PLUG	RUBBER	2	2	2	2	KB26H049H01		
122	E17 548 250	G	SCREW SPECIAL	M4 x 6	3	3	3	3	Z003Z333H05		
123	DB26F013L01	G	CUSHION		3	3	3	3	DB26F013L01		
124	KB00M769G02	G	ATTACHMENT PUMP		1	1	1	1	KB00M769G02		
125	E17 529 800	G	PANEL DUCT M ASSY		1		1		KB00G751G08		
126	E17 531 800	G	PANEL DUCT L ASSY			1		1	KB00G751G09		



*1 Motor (Parts No.206) comes with rubber mounts.

No.	Part No.	G : RoHS Apply Only W : RoHS Apply by Running Change		Spec.	PEA-A12AAR2.TH	PEA-A12AA4R1.TH				Dwg. No.	Notes for the models	Revision info.
			Part Name									
201	E17 319 128	G	MOTOR BASE		1	1				KB02B464G02		
202	E17 319 129	G	FAN CASE A ASSY		2	2				KB00G773G03		
203	E17 320 129	G	FAN CASE B ASSY		2	2				KB00G774G03		
204	E17 319 500	G	SIROCCO FAN ASSY		2	2				KB00H341G01		
205	KB02H047G02	G	ATTACHMENT		2	2				KB02H047G02		
206	E17 C45 300	G	MOTOR	SIC-70CW-D8114-1E	1	1				KS00T859G06	*1 Includes rubber mounts	Chg.
207	KB02U467G01	G	ATTACHMENT(M-LOCK)		1	1				KB02U467G01		
208	E17 C45 505	G	RUBBER MOUNT A		1	1				KJ31H007H01		Add.
209	E17 C46 505	G	RUBBER MOUNT B		1	1				KJ31H008H01		Add.

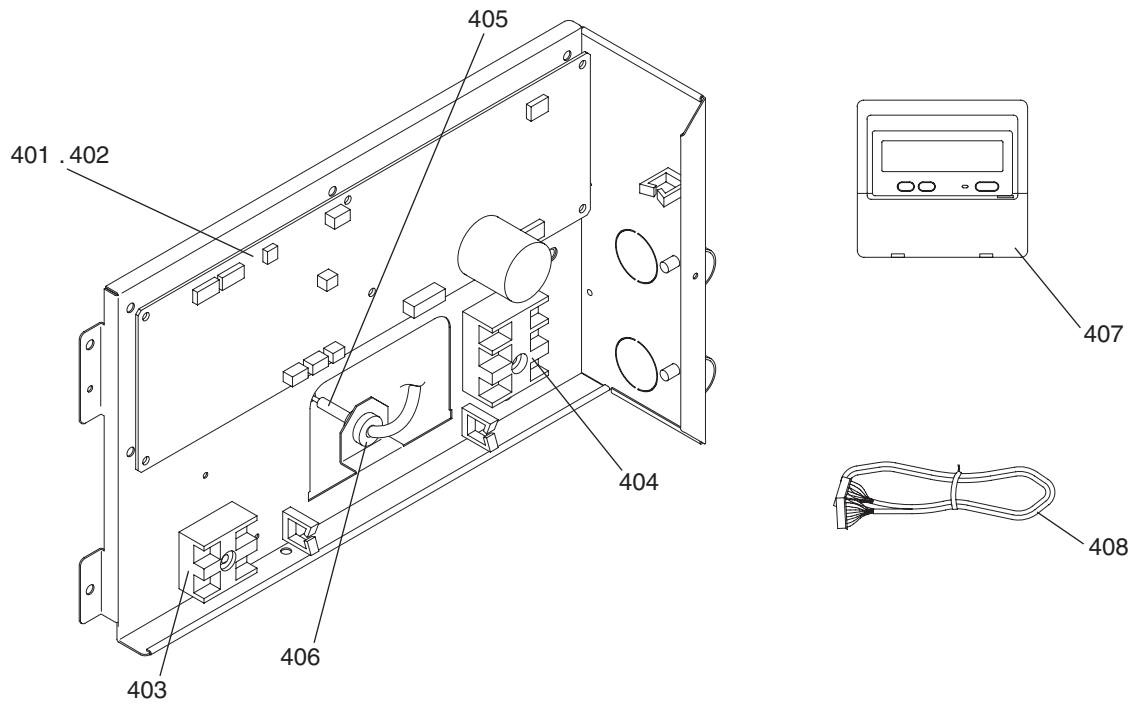


*2 Motor (Parts No.306) comes with rubber mounts.

No.	Part No.	G : RoHS Apply Only W : RoHS Apply by Running Change		Spec.	PEA-A18AAR1.TH	PEA-A18AA4R1.TH				Dwg. No.	Notes for the models	Revision info.
		Part Name										
301	E17 319 128	G								KB02B464G02		
302	E17 319 129	G								KB00G773G03		
303	E17 320 129	G								KB00G774G03		
304	E17 319 500	G								KB00H341G01		
305	KB02H047G02	G								KB02H047G02		
306	E17 C46 300	G		SIC-70CW-D896-2E						KS00T859G07	*2 Includes rubber mounts	Chg.
307	E17 321 509	G								KB58C793G01		
308	E17 326 499	G								KB10B486H03		
309	E17 321 518	G								KB00R475G01		
310	KB02U467G01	G								KB02U467G01		
311	E17 C45 505	G								KJ31H007H01		Add.
312	E17 C46 505	G								KJ31H008H01		Add.

PEA-A12AAR2.TH
PEA-A18AAR1.TH
PEA-A12,A18AA4R1.TH

CONTROL BOX PARTS



mitsubishi
electric
corporation

BWE1148B (20161231)