

SERVICE PARTS LIST FOR MITSUBISHI ELECTRIC PACKAGED AIR-CONDITIONERS

Series : PEA-A•AA6.TH

REVISED

Dec. 2016

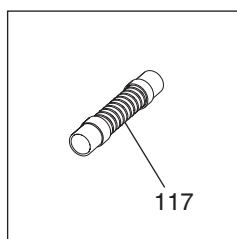
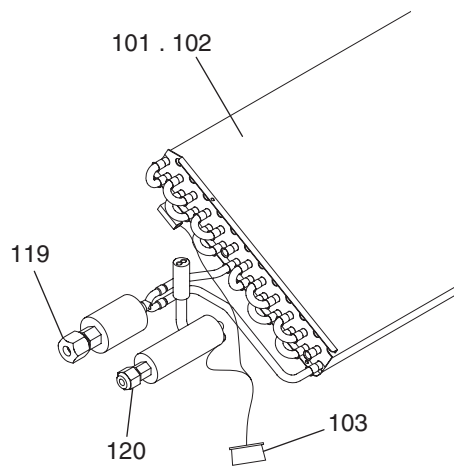
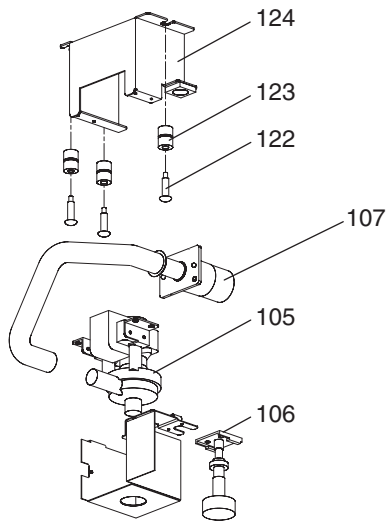
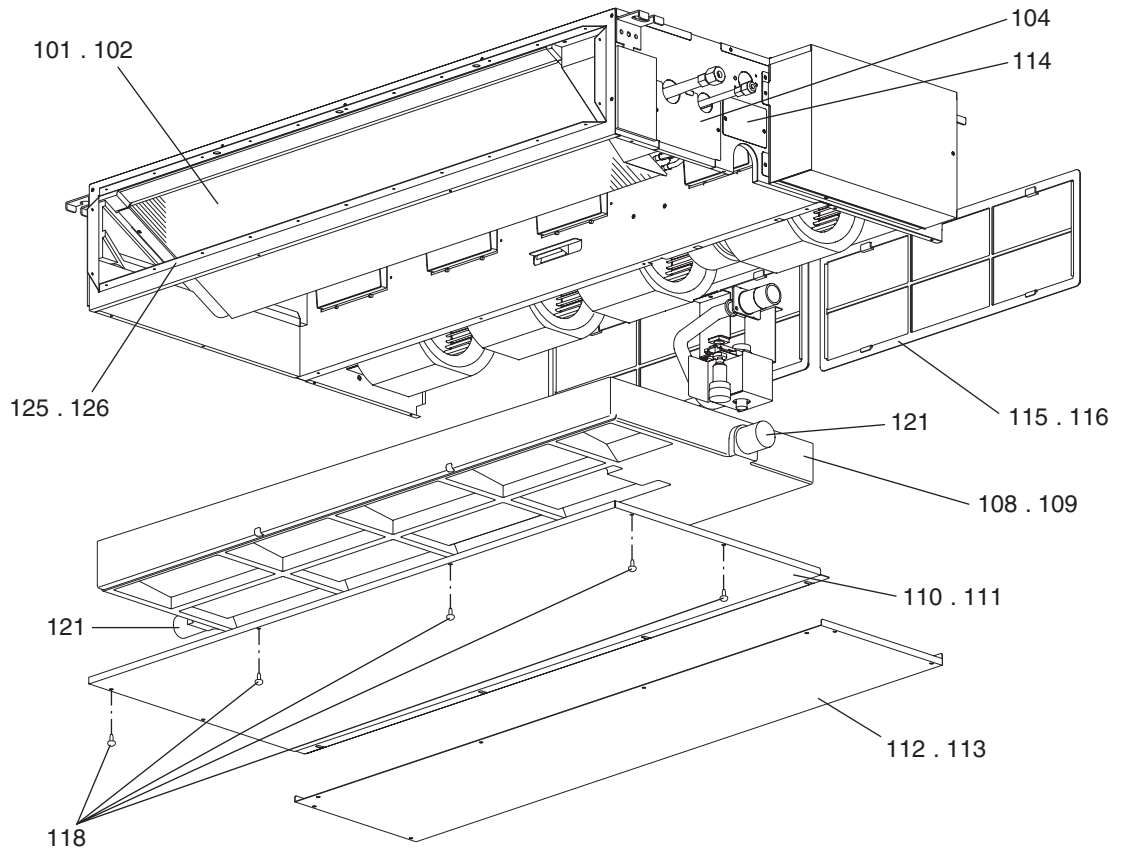
BWE01519B

INDEX
PEA-A12AA6.TH PEA-A18AA6.TH

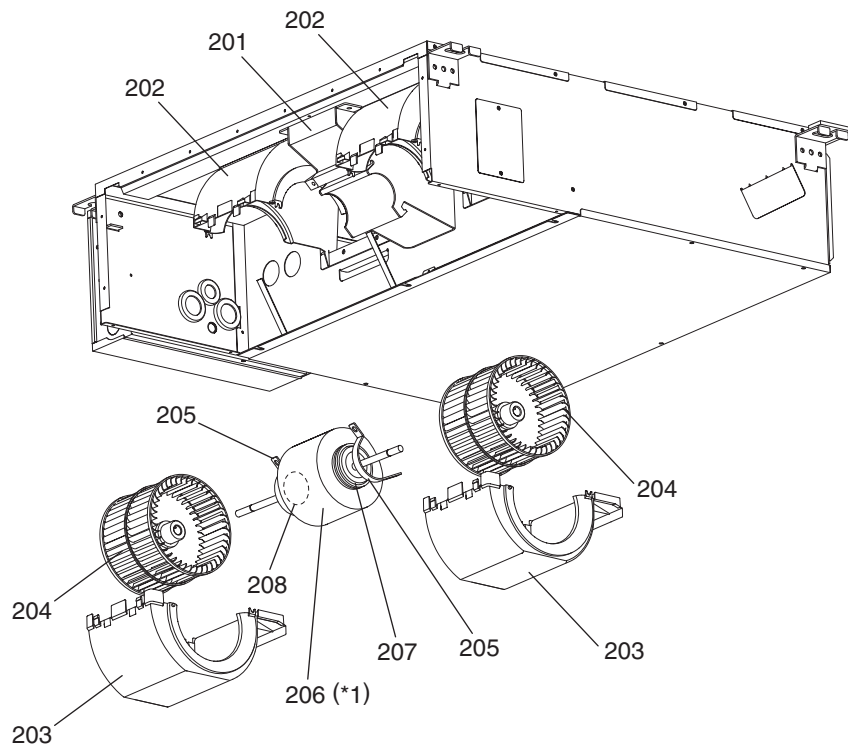
Part information update day : **2016/12/26**

Please change the old catalog (issued July 2016, No.BWE01519A) to this new catalog.
Content of revision : Some of parts are changed.

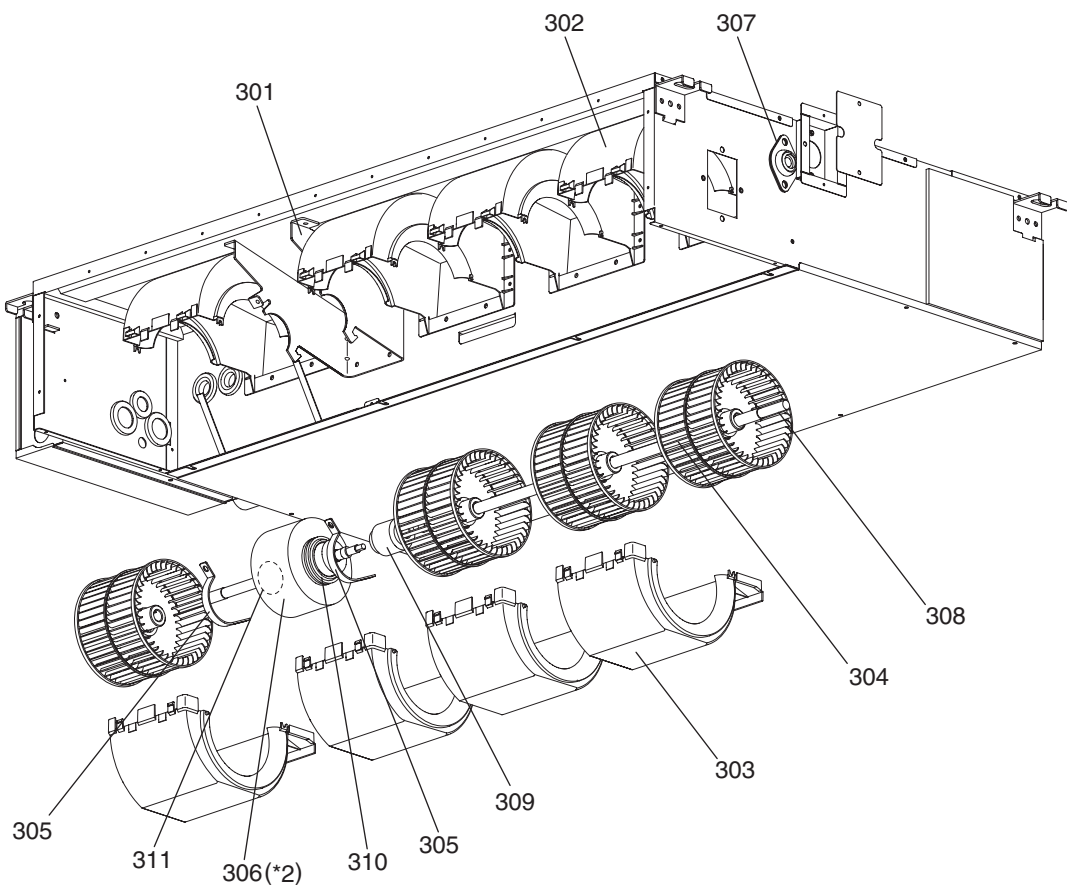




No.	Part No.	G : RoHS Apply Only W : RoHS Apply by Running Change		Spec.	PEA-A12AA6.TH	PEA-A18AA6.TH						Dwg. No.	Notes for the models	Revision info.
		Part Name												
101	E17 585 620	G	HEAT EXCHANGER		1							KB00A076B05	<K35>	
102	E17 531 620	G	HEAT EXCHANGER			1						KB00A078B07	<K60>	
103	E17 319 307	G	THERMISTOR		1	1						RG71V202G01		
104	E17 319 690	G	COVER PIPE ASSY		1	1						KB00H214G02		
105	E17 409 355	G	PUMP	PLD	1	1						KB56B515H02		
106	E17 409 145	G	FLOAT SWITCH		1	1						BH68C952H02		
107	E17 409 704	G	SOCKET ASSY		1	1						KB00G754G01		
108	E17 475 700	G	DRAIN PAN M ASSY		1							KB00G775G17		
109	E17 477 700	G	DRAIN PAN L ASSY			1						KB00G775G18		
110	E17 475 717	G	PANEL UNDER 1 M ASSY		1							KB00G776G11		
111	E17 477 717	G	PANEL UNDER 1 L ASSY			1						KB00G776G12		
112	E17 320 718	G	PANEL UNDER 2 M		1							KB02B457G01		
113	E17 326 718	G	PANEL UNDER 2 L			1						KB02A071G02		
114	E17 409 690	G	COVER ASSY		1	1						KB00H222G03		
115	E17 320 100	G	FILTER 40		1							KB35B207G02		
116	E17 326 100	G	FILTER 63			2						KB35B208G02		
117	E17 319 702	G	DRAIN HOSE		1	1						KB27T150H02		
118	E17 319 250	G	SCREW ASSY		5	5						KB12H389G01		
119	E17 321 660	G	NUT FLARE	1/2	1	1						BG12S008H02		
120	E17 320 660	G	NUT FLARE	1/4	1	1						Z211A143H01		
121	E17 414 524	G	PLUG	RUBBER	2	2						KB26H049H01		
122	E17 548 250	G	SCREW SPECIAL	M4 x 6	3	3						Z003Z333H05		
123	DB26F013L01	G	CUSHION		3	3						DB26F013L01		
124	KB00M769G02	G	ATTACHMENT PUMP		1	1						KB00M769G02		
125	E17 529 800	G	PANEL DUCT M ASSY		1							KB00G751G08		
126	E17 531 800	G	PANEL DUCT L ASSY			1						KB00G751G09		

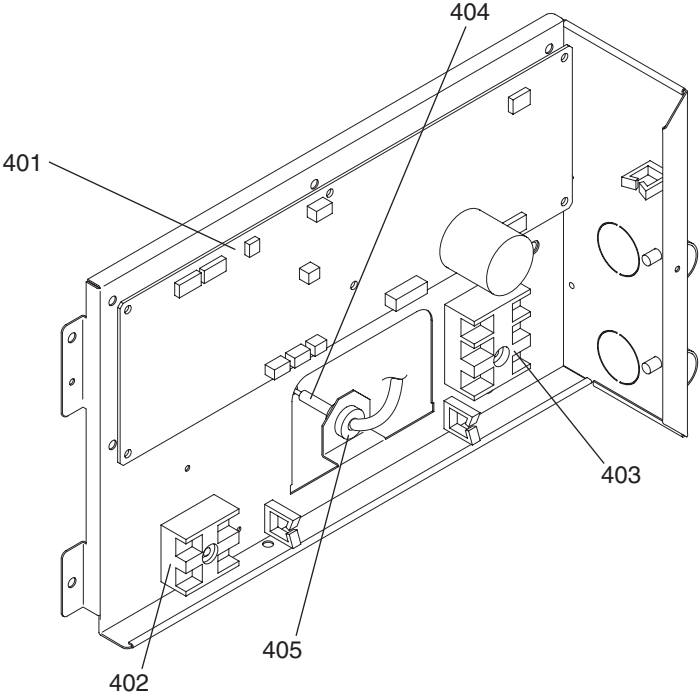


*1 Motor (Parts No.206) comes with rubber mounts.



*2 Motor (Parts No.306) comes with rubber mounts.

No.	Part No.	G : RoHS Apply Only W : RoHS Apply by Running Change		Spec.	PEA-A18AA6.TH					Dwg. No.	Notes for the models	Revision info.
			Part Name									
301	E17 319 128	G	MOTOR BASE		1					KB02B464G02		
302	E17 319 129	G	FAN CASE A ASSY		4					KB00G773G03		
303	E17 320 129	G	FAN CASE B ASSY		4					KB00G774G03		
304	E17 319 500	G	SIROCCO FAN ASSY		4					KB00H341G01		
305	KB02H047G02	G	ATTACHMENT		2					KB02H047G02		
306	E17 C46 300	G	MOTOR	SIC-70CW-D896-2E	1					KS00T859G07	*2 Includes rubber mounts	Chg.
307	E17 321 509	G	BEARING		1					KB58C793G01		
308	E17 326 499	G	SHAFT 4FAN		1					KB10B486H03		
309	E17 321 518	G	FAN JOINT ASSY		1					KB00R475G01		
310	E17 C45 505	G	RUBBER MOUNT A		1					KJ31H007H01		Add.
311	E17 C46 505	G	RUBBER MOUNT B		1					KJ31H008H01		Add.



No.	Part No.	G : RoHS Apply Only W : RoHS Apply by Running Change		Spec.	PEA-A12AA6.TH	PEA-A18AA6.TH					Dwg. No.	Notes for the models	Revision info.
			Part Name										
401	E17 C45 447	G	PRINTED CIRCUIT ASSEMBLY	INDOOR	1	1					KE01D279B08		
402	E17 156 375	G	TERMINAL BLOCK ASSY		1	1					BG00R200G62		
403	E17 162 375	G	TERMINAL BLOCK ASSY		1	1					BH00C267G02		
404	E17 319 308	G	THERMISTOR S	250XAP	1	1					RG71J628H01		
405	E17 319 013	G	BUSH	SRB-R-2	1	1					KB32K138H01		

mitsubishi
electric
corporation

BWE01519B (20161231)