

SERVICE PARTS LIST FOR MITSUBISHI ELECTRIC PACKAGED AIR-CONDITIONERS

Series : PEFY-P•NMSU-ER2.TH

REVISED

Mar. 2012

BWE1142A

INDEX

PEFY-P06NMSU-ER2.TH

PEFY-P08NMSU-ER2.TH

PEFY-P12NMSU-ER2.TH

PEFY-P15NMSU-ER2.TH

PEFY-P18NMSU-ER2.TH

PEFY-P24NMSU-ER2.TH

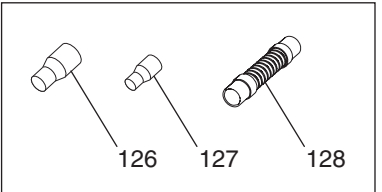
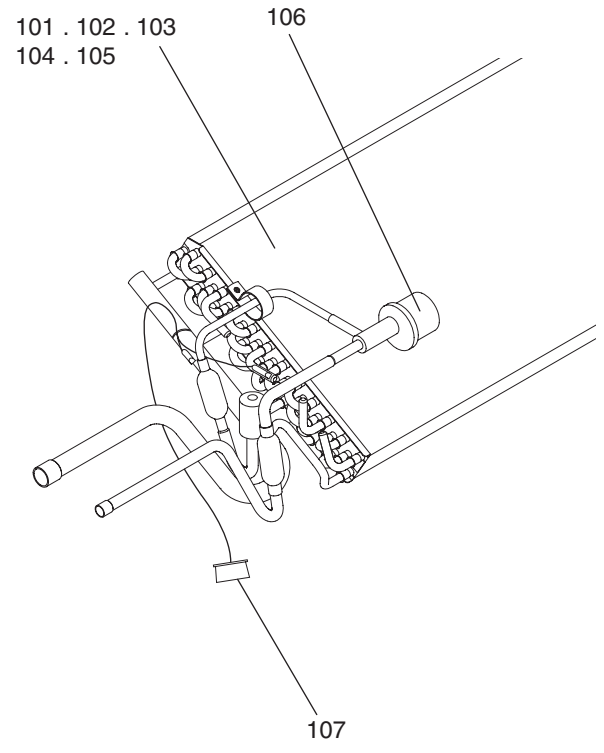
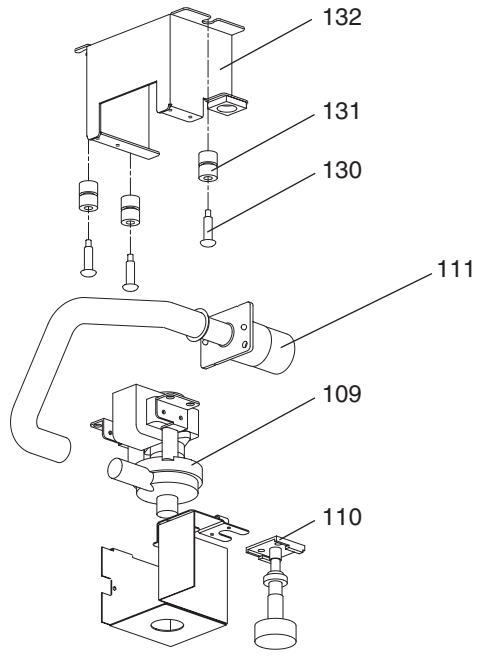
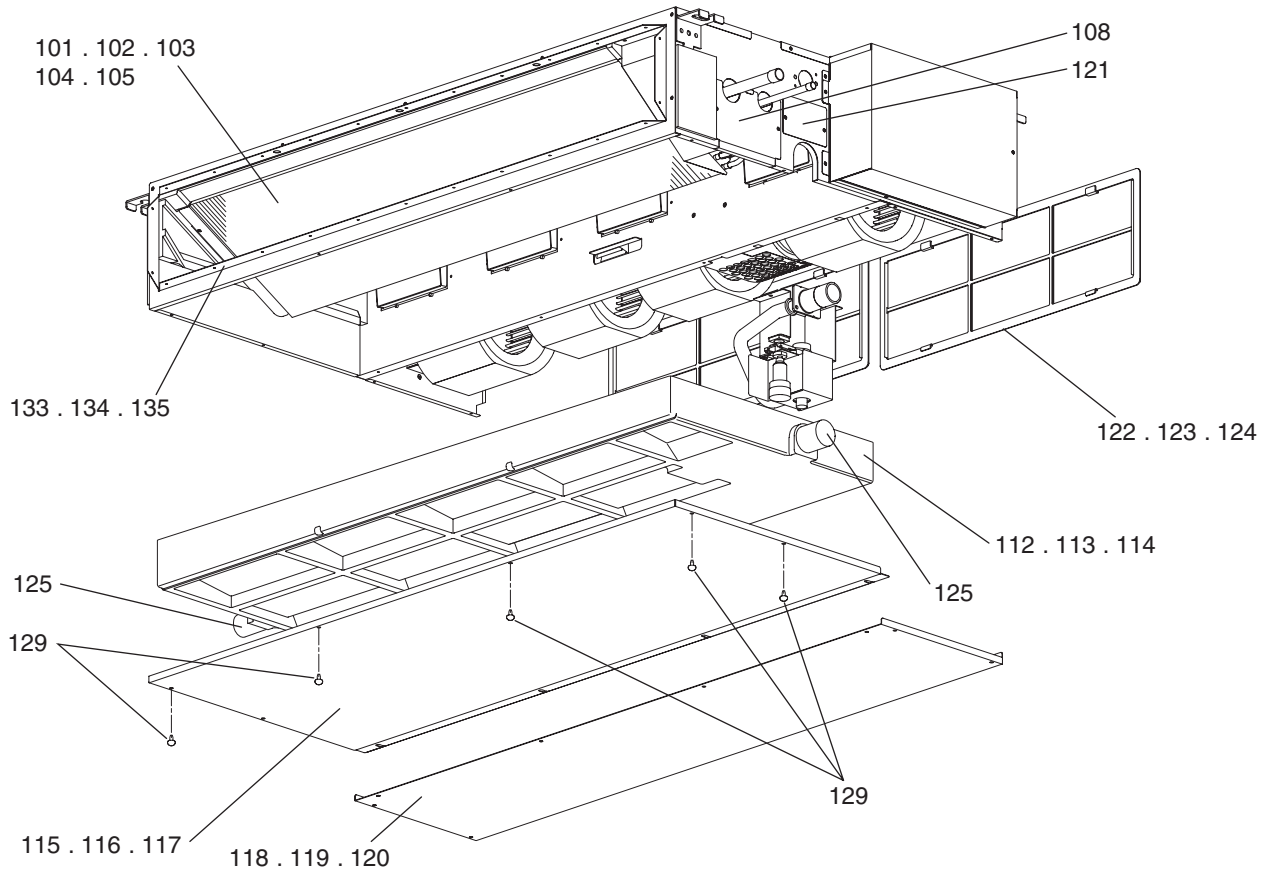
Part information update day : **2012/03/26**

Please change the old catalog (issued Mar. 2012, No.BWE11420) to this new catalog.
Content of revision : Some of parts are changed.



PEFY-P06,P08NMSU-ER2.TH
PEFY-P12,P15NMSU-ER2.TH
PEFY-P18,P24NMSU-ER2.TH

EXTERNAL PARTS



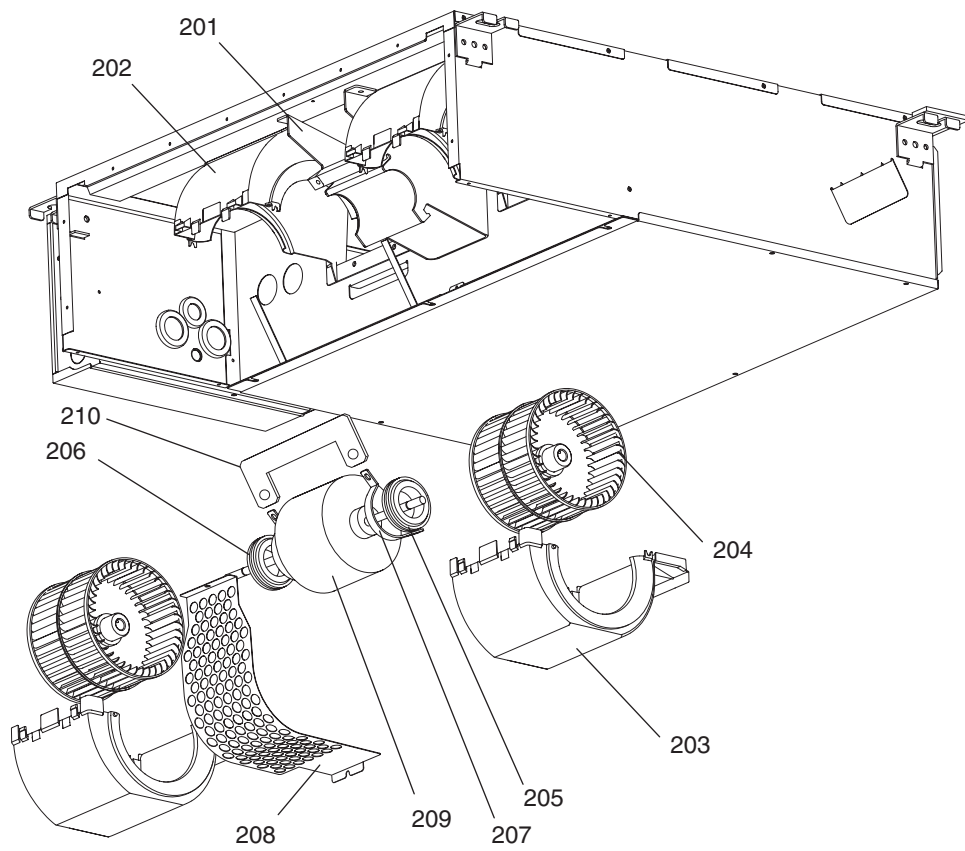
PEFY-P06,P08NMSU-ER2.TH
PEFY-P12,P15NMSU-ER2.TH
PEFY-P18,P24NMSU-ER2.TH

EXTERNAL PARTS

| No. | Part No. | G : RoHS Apply Only W : RoHS Apply by Running Change | | Spec. | PEFY-P06NMSU-ER2.TH | PEFY-P08NMSU-ER2.TH | PEFY-P12NMSU-ER2.TH | PEFY-P15NMSU-ER2.TH | PEFY-P18NMSU-ER2.TH | PEFY-P24NMSU-ER2.TH | Dwg. No. | Notes for the models | Revision info. |
|-----|-------------|---|------------------------|--------------|---------------------|---------------------|---------------------|---------------------|---------------------|---------------------|-------------|----------------------|----------------|
| | | Part Name | | | | | | | | | | | |
| 101 | E17 402 620 | G | HEAT EXCHANGER | | 1 | | | | | | KB00A079B01 | | |
| 102 | E17 403 620 | G | HEAT EXCHANGER | | | 1 | | | | | KB00A082B01 | | |
| 103 | E17 405 620 | G | HEAT EXCHANGER | | | | 1 | | | | KB00A080B01 | | |
| 104 | E17 406 620 | G | HEAT EXCHANGER | | | | | 1 | 1 | | KB00A081B01 | | |
| 105 | E17 408 620 | G | HEAT EXCHANGER | | | | | | | 1 | KB00A075B01 | | |
| 106 | E17 409 640 | G | LINEAR EXPANSION VALVE | EFM-40YGMD-1 | 1 | 1 | 1 | 1 | 1 | 1 | KB50B472H01 | | |
| 107 | E17 319 307 | G | THERMISTOR | | 1 | 1 | 1 | 1 | 1 | 1 | RG71V202G01 | | |
| 108 | E17 319 690 | G | COVER PIPE ASSY | | 1 | 1 | 1 | 1 | 1 | 1 | KB00H214G02 | | |
| 109 | E17 409 355 | G | PUMP | PLD | 1 | 1 | 1 | 1 | 1 | 1 | KB56B515H02 | | |
| 110 | E17 409 145 | G | FLOAT SWITCH | | 1 | 1 | 1 | 1 | 1 | 1 | BH68C952H02 | | |
| 111 | E17 409 704 | G | SOCKET ASSY | | 1 | 1 | 1 | 1 | 1 | 1 | KB00G754G01 | | |
| 112 | E17 472 700 | G | DRAIN PAN S ASSY | | 1 | 1 | 1 | | | | KB00G775G16 | | |
| 113 | E17 475 700 | G | DRAIN PAN M ASSY | | | | | 1 | 1 | | KB00G775G17 | | |
| 114 | E17 477 700 | G | DRAIN PAN L ASSY | | | | | | | 1 | KB00G775G18 | | |
| 115 | E17 472 717 | G | PANEL UNDER 1 S ASSY | | 1 | 1 | 1 | | | | KB00G776G10 | | |
| 116 | E17 475 717 | G | PANEL UNDER 1 M ASSY | | | | | 1 | 1 | | KB00G776G11 | | |
| 117 | E17 477 717 | G | PANEL UNDER 1 L ASSY | | | | | | | 1 | KB00G776G12 | | |
| 118 | E17 319 718 | G | PANEL UNDER 2 S | | 1 | 1 | 1 | | | | KB02B455G02 | | |
| 119 | E17 320 718 | G | PANEL UNDER 2 M | | | | | 1 | 1 | | KB02B457G01 | | |
| 120 | E17 326 718 | G | PANEL UNDER 2 L | | | | | | | 1 | KB02A071G02 | | |
| 121 | E17 409 690 | G | COVER ASSY | | 1 | 1 | 1 | 1 | 1 | 1 | KB00H222G03 | | |
| 122 | E17 319 100 | G | FILTER 15 | | 1 | 1 | 1 | | | | KB35B272G02 | | |
| 123 | E17 320 100 | G | FILTER 40 | | | | | 1 | 1 | | KB35B207G02 | | |
| 124 | E17 326 100 | G | FILTER 63 | | | | | | | 2 | KB35B208G02 | | |
| 125 | E17 414 524 | G | PLUG | RUBBER | 2 | 2 | 2 | 2 | 2 | 2 | KB26H049H01 | | |
| 126 | E17 407 204 | G | REDUCER | 12.7-15.88 | | | | | 1 | | KB14H395G02 | | |
| 127 | E17 414 204 | G | REDUCER | 6.35-9.52 | | | | | 1 | | KB14H390G02 | | |
| 128 | E17 319 702 | G | DRAIN HOSE | | 1 | 1 | 1 | 1 | 1 | 1 | KB27T150H02 | | |
| 129 | E17 319 250 | G | SCREW ASSY | | 4 | 4 | 4 | 5 | 5 | 5 | KB12H389G01 | | |
| 130 | E17 548 250 | G | SCREW SPECIAL | M4 x 6 | 3 | 3 | 3 | 3 | 3 | 3 | Z003Z333H05 | | |
| 131 | DB26F013L01 | G | CUSHION | | 3 | 3 | 3 | 3 | 3 | 3 | DB26F013L01 | | |
| 132 | KB00M769G02 | G | ATTACHMENT PUMP | | 1 | 1 | 1 | 1 | 1 | 1 | KB00M769G02 | | |
| 133 | E17 528 800 | G | PANEL DUCT S ASSY | | 1 | 1 | 1 | | | | KB00G751G07 | | |
| 134 | E17 529 800 | G | PANEL DUCT M ASSY | | | | | 1 | 1 | | KB00G751G08 | | |
| 135 | E17 531 800 | G | PANEL DUCT L ASSY | | | | | | | 1 | KB00G751G09 | | |
| | | | | | | | | | | | | | |
| | | | | | | | | | | | | | |
| | | | | | | | | | | | | | |
| | | | | | | | | | | | | | |
| | | | | | | | | | | | | | |
| | | | | | | | | | | | | | |
| | | | | | | | | | | | | | |
| | | | | | | | | | | | | | |
| | | | | | | | | | | | | | |
| | | | | | | | | | | | | | |
| | | | | | | | | | | | | | |
| | | | | | | | | | | | | | |
| | | | | | | | | | | | | | |
| | | | | | | | | | | | | | |

PEFY-P06NMSU-ER2.TH
PEFY-P08NMSU-ER2.TH
PEFY-P12NMSU-ER2.TH

BLOWER PARTS (1)



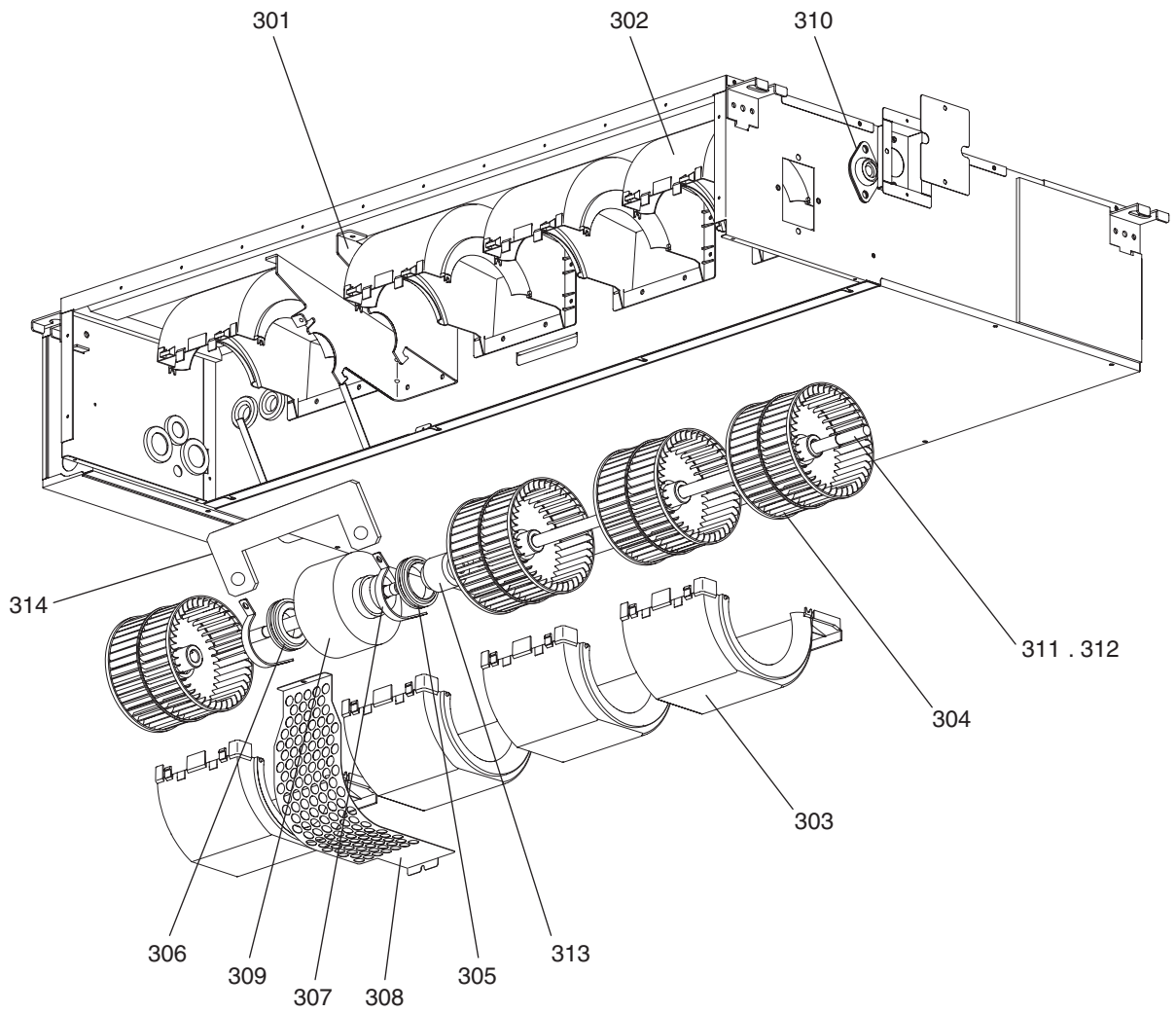
PEFY-P06NMSU-ER2.TH
 PEFY-P08NMSU-ER2.TH
 PEFY-P12NMSU-ER2.TH

BLOWER PARTS (1)

| No. | Part No. | G : RoHS Apply Only W : RoHS Apply by Running Change | Part Name | Spec. | PEFY-P06NMSU-ER2.TH | PEFY-P08NMSU-ER2.TH | PEFY-P12NMSU-ER2.TH | | | | | Dwg. No. | Notes for the models | Revision info. |
|-----|-------------|---|--------------------|-------|---------------------|---------------------|---------------------|--|--|--|--|-------------|----------------------|----------------|
| | | | | | | | | | | | | | | |
| 201 | E17 319 128 | G | MOTOR BASE | | 1 | 1 | 1 | | | | | KB02B464G02 | | |
| 202 | E17 319 129 | G | FAN CASE A ASSY | | 2 | 2 | 2 | | | | | KB00G773G03 | | |
| 203 | E17 320 129 | G | FAN CASE B ASSY | | 2 | 2 | 2 | | | | | KB00G774G03 | | |
| 204 | E17 319 500 | G | SIROCCO FAN ASSY | | 2 | 2 | 2 | | | | | KB00H341G01 | | |
| 205 | E17 319 505 | G | RUBBER MOUNT L | | 1 | 1 | 1 | | | | | KB31D833H03 | | |
| 206 | E17 320 505 | G | RUBBER MOUNT R | | 1 | 1 | 1 | | | | | KB31D833H04 | | |
| 207 | KB02H047G02 | G | ATTACHMENT | | 2 | 2 | 2 | | | | | KB02H047G02 | | |
| 208 | E17 319 513 | G | MOTOR COVER ASSY | | 1 | 1 | 1 | | | | | KB00H600G02 | | |
| 209 | E17 319 300 | G | MOTOR | | 1 | 1 | 1 | | | | | KB61B503H03 | | |
| 210 | KB02U467G01 | G | ATTACHMENT(M-LOCK) | | 1 | 1 | 1 | | | | | KB02U467G01 | | |
| | | | | | | | | | | | | | | |
| | | | | | | | | | | | | | | |
| | | | | | | | | | | | | | | |
| | | | | | | | | | | | | | | |
| | | | | | | | | | | | | | | |
| | | | | | | | | | | | | | | |
| | | | | | | | | | | | | | | |
| | | | | | | | | | | | | | | |
| | | | | | | | | | | | | | | |
| | | | | | | | | | | | | | | |
| | | | | | | | | | | | | | | |
| | | | | | | | | | | | | | | |
| | | | | | | | | | | | | | | |
| | | | | | | | | | | | | | | |
| | | | | | | | | | | | | | | |
| | | | | | | | | | | | | | | |
| | | | | | | | | | | | | | | |
| | | | | | | | | | | | | | | |
| | | | | | | | | | | | | | | |
| | | | | | | | | | | | | | | |
| | | | | | | | | | | | | | | |
| | | | | | | | | | | | | | | |
| | | | | | | | | | | | | | | |

PEFY-P15NMSU-ER2.TH
PEFY-P18NMSU-ER2.TH
PEFY-P24NMSU-ER2.TH

BLOWER PARTS (2)

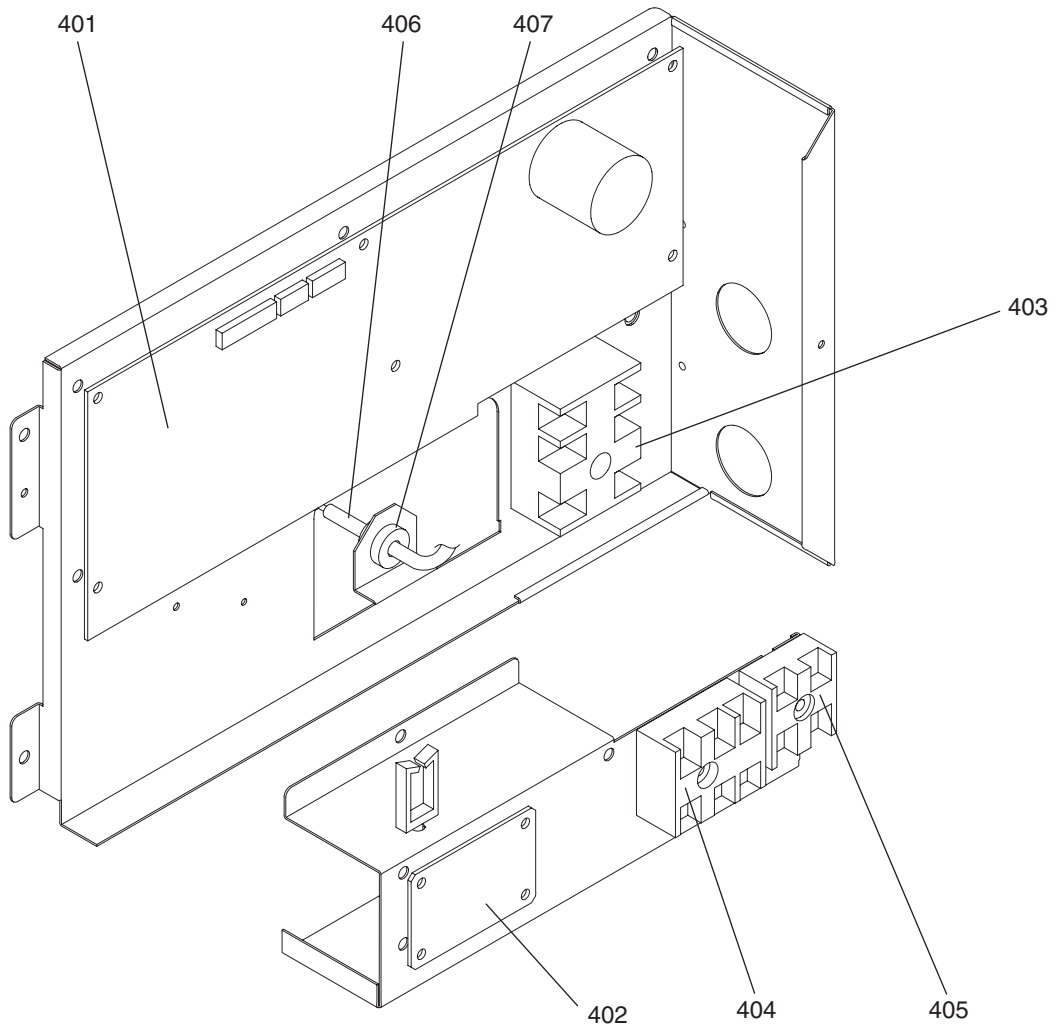


BLOWER PARTS (2)

| No. | Part No. | G : RoHS Apply Only W : RoHS Apply by Running Change | Part Name | Spec. | PEFY-P15NMSU-ER2.TH | PEFY-P18NMSU-ER2.TH | PEFY-P24NMSU-ER2.TH | | | | Dwg. No. | Notes for the models | Revision info. |
|-----|-------------|---|--------------------|-------|---------------------|---------------------|---------------------|--|--|--|-------------|----------------------|----------------|
| | | | | | | | | | | | | | |
| 301 | E17 319 128 | G | MOTOR BASE | | 1 | 1 | 1 | | | | KB02B464G02 | | |
| 302 | E17 319 129 | G | FAN CASE A ASSY | | 3 | 3 | 4 | | | | KB00G773G03 | | |
| 303 | E17 320 129 | G | FAN CASE B ASSY | | 3 | 3 | 4 | | | | KB00G774G03 | | |
| 304 | E17 319 500 | G | SIROCCO FAN ASSY | | 3 | 3 | 4 | | | | KB00H341G01 | | |
| 305 | E17 319 505 | G | RUBBER MOUNT L | | 1 | 1 | 1 | | | | KB31D833H03 | | |
| 306 | E17 320 505 | G | RUBBER MOUNT R | | 1 | 1 | 1 | | | | KB31D833H04 | | |
| 307 | KB02H047G02 | G | ATTACHMENT | | 2 | 2 | 2 | | | | KB02H047G02 | | |
| 308 | E17 319 513 | G | MOTOR COVER ASSY | | 1 | 1 | 1 | | | | KB00H600G02 | | |
| 309 | E17 321 300 | G | MOTOR | | 1 | 1 | 1 | | | | KB61B504H03 | | |
| 310 | E17 321 509 | G | BEARING | | 1 | 1 | 1 | | | | KB58C793G01 | | |
| 311 | E17 321 499 | G | SHAFT 3FAN | | 1 | 1 | | | | | KB10B485H03 | | |
| 312 | E17 326 499 | G | SHAFT 4FAN | | | | 1 | | | | KB10B486H03 | | |
| 313 | E17 321 518 | G | FAN JOINT ASSY | | 1 | 1 | 1 | | | | KB00R475G01 | | |
| 314 | KB02U467G01 | G | ATTACHMENT(M-LOCK) | | 1 | 1 | 1 | | | | KB02U467G01 | | |
| | | | | | | | | | | | | | |
| | | | | | | | | | | | | | |
| | | | | | | | | | | | | | |
| | | | | | | | | | | | | | |
| | | | | | | | | | | | | | |
| | | | | | | | | | | | | | |
| | | | | | | | | | | | | | |
| | | | | | | | | | | | | | |
| | | | | | | | | | | | | | |
| | | | | | | | | | | | | | |
| | | | | | | | | | | | | | |
| | | | | | | | | | | | | | |
| | | | | | | | | | | | | | |
| | | | | | | | | | | | | | |
| | | | | | | | | | | | | | |
| | | | | | | | | | | | | | |
| | | | | | | | | | | | | | |
| | | | | | | | | | | | | | |
| | | | | | | | | | | | | | |
| | | | | | | | | | | | | | |
| | | | | | | | | | | | | | |

PEFY-P06,P08NMSU-ER2.TH
PEFY-P12,P15NMSU-ER2.TH
PEFY-P18,P24NMSU-ER2.TH

CONTROL BOX PARTS



| No. | Part No. | G : RoHS Apply Only W : RoHS Apply by Running Change | | Spec. | PEFY-P06NMSU-ER2.TH | PEFY-P08NMSU-ER2.TH | PEFY-P12NMSU-ER2.TH | PEFY-P15NMSU-ER2.TH | PEFY-P18NMSU-ER2.TH | PEFY-P24NMSU-ER2.TH | Dwg. No. | Notes for the models | Revision info. |
|-----|-------------|---|--------------------------|---------------|---------------------|---------------------|---------------------|---------------------|---------------------|---------------------|-------------|----------------------|----------------|
| | | | Part Name | | | | | | | | | | |
| 401 | E17 783 447 | G | PRINTED CIRCUIT ASSEMBLY | INDOOR | 1 | 1 | 1 | 1 | 1 | 1 | KE01D280B08 | | Chg. |
| 402 | E17 472 456 | G | PRINTED CIRCUIT ASSEMBLY | ADDRESS BOARD | 1 | 1 | 1 | 1 | 1 | 1 | KE01D281B02 | | |
| 403 | E17 323 375 | G | TERMINAL BLOCK ASSY | | 1 | 1 | 1 | 1 | 1 | 1 | BG73N186L09 | | |
| 404 | E17 154 375 | G | TERMINAL BLOCK ASSY | | 1 | 1 | 1 | 1 | 1 | 1 | BH00C267G04 | | |
| 405 | E17 156 375 | G | TERMINAL BLOCK ASSY | | 1 | 1 | 1 | 1 | 1 | 1 | BG00R200G62 | | |
| 406 | E17 319 308 | G | THERMISTOR S | 250XAP | 1 | 1 | 1 | 1 | 1 | 1 | RG71J628H01 | | |
| 407 | E17 319 013 | G | BUSH | SRB-R-2 | 1 | 1 | 1 | 1 | 1 | 1 | KB32K138H01 | | |
| | | | | | | | | | | | | | |
| | | | | | | | | | | | | | |
| | | | | | | | | | | | | | |
| | | | | | | | | | | | | | |
| | | | | | | | | | | | | | |
| | | | | | | | | | | | | | |
| | | | | | | | | | | | | | |
| | | | | | | | | | | | | | |
| | | | | | | | | | | | | | |
| | | | | | | | | | | | | | |
| | | | | | | | | | | | | | |
| | | | | | | | | | | | | | |
| | | | | | | | | | | | | | |
| | | | | | | | | | | | | | |
| | | | | | | | | | | | | | |
| | | | | | | | | | | | | | |
| | | | | | | | | | | | | | |
| | | | | | | | | | | | | | |
| | | | | | | | | | | | | | |
| | | | | | | | | | | | | | |
| | | | | | | | | | | | | | |
| | | | | | | | | | | | | | |
| | | | | | | | | | | | | | |
| | | | | | | | | | | | | | |
| | | | | | | | | | | | | | |
| | | | | | | | | | | | | | |
| | | | | | | | | | | | | | |
| | | | | | | | | | | | | | |
| | | | | | | | | | | | | | |
| | | | | | | | | | | | | | |
| | | | | | | | | | | | | | |

mitsubishi electric corporation
HEAD OFFICE: TOKYO BLDG., 2-7-3, MARUNOUCHI, CHIYODA-KU, TOKYO 100-8310, JAPAN

BWE1142A (20120331)