

SPLIT-TYPE, HEAT PUMP AIR CONDITIONERS  
SPLIT-TYPE, AIR CONDITIONERS

January 2022

# PARTS CATALOG

No. OCB761  
REVISED EDITION-A

## Series PKA Wall Mounted

## R410A

Indoor unit  
[Model Name]

PKA-A12LA

PKA-A18LA

[Service Ref.]

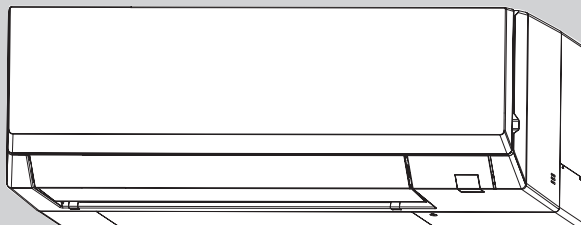
PKA-A12LA.TH

PKA-A18LA.TH

Revision:

- Parts No. of Heater control relay adapter (optional parts) have been changed in REVISED EDITION-A.

OCB761 is void.



INDOOR UNIT

### CONTENTS

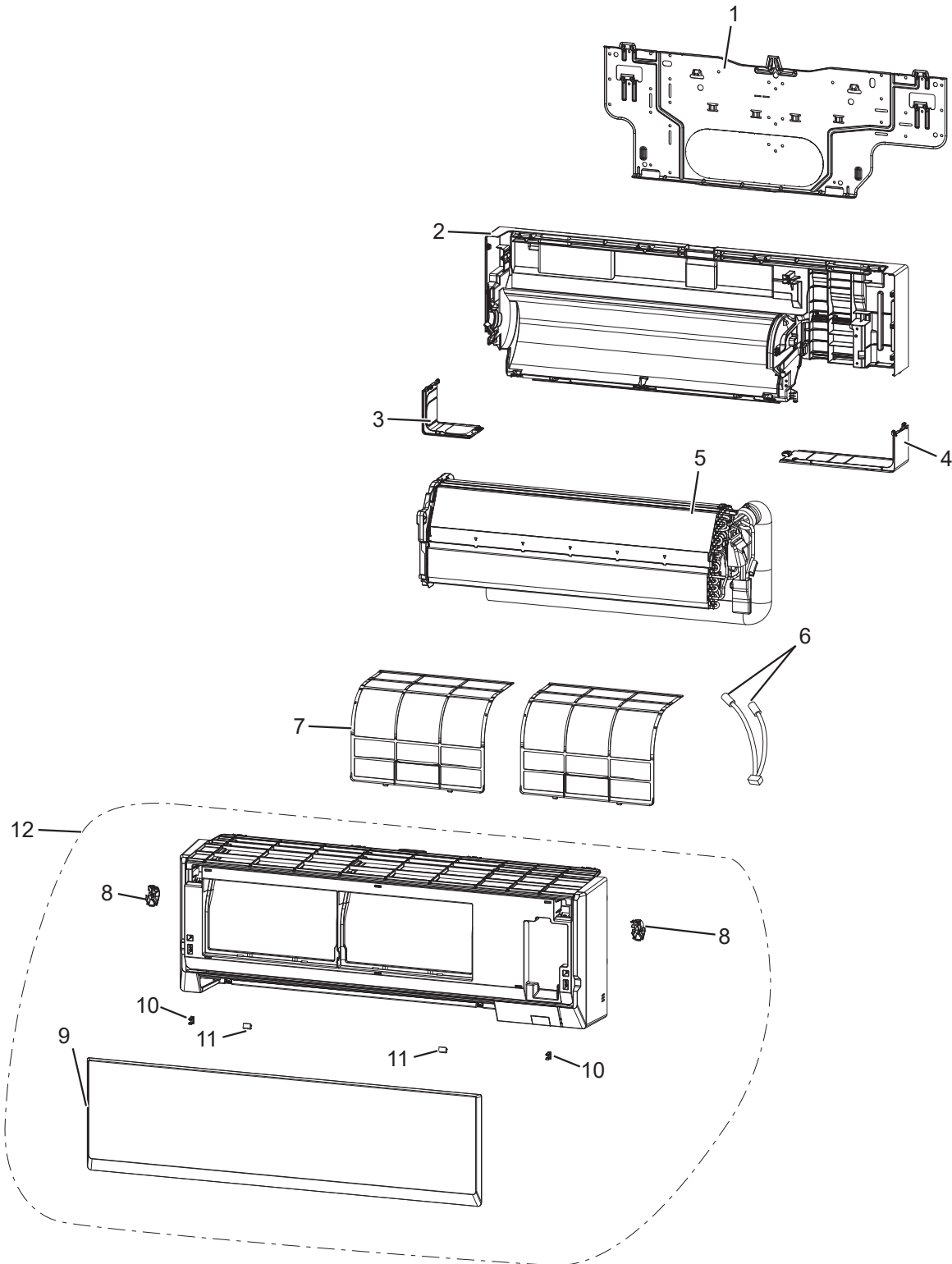
1. SERVICE PARTS LIST ..... 2
2. OPTIONAL PARTS ..... 6

SERVICE MANUAL (OCH761)

# 1

# SERVICE PARTS LIST

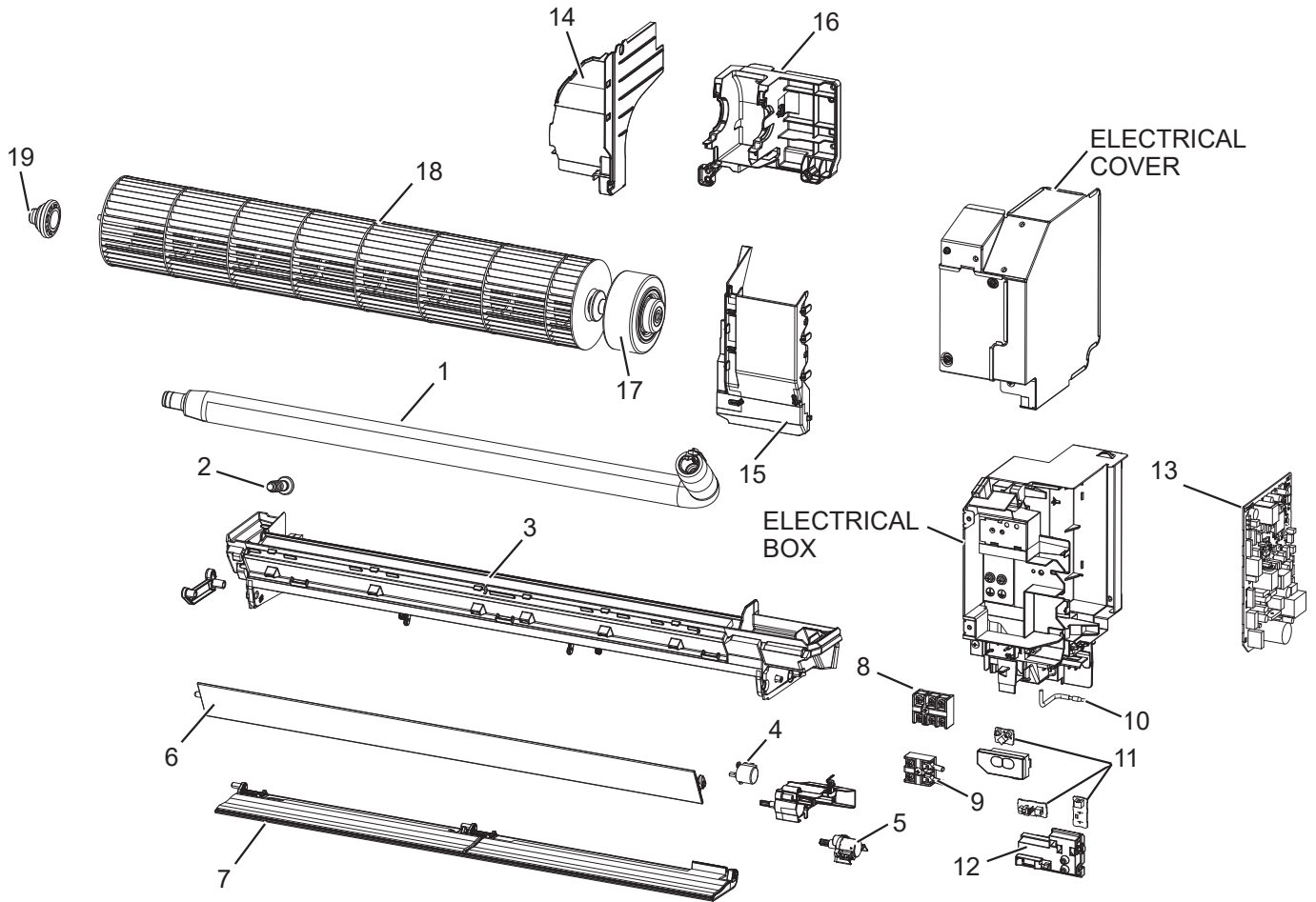
PANEL AND HEAT EXCHANGER PARTS  
PKA-A12LA.TH  
PKA-A18LA.TH



1. The part quantity below indicates the required number of pieces per unit.
2. The circled No. indicates that the part is not shown in the figure.

No.	Parts No.	Parts Name	PKA-A12LA.TH	PKA-A18LA.TH	Wiring Diagram Symbol	Remarks
1	E27 P68 970	INSTALLATION PLATE	1	1		
2	E27 P68 234	BOX ASSEMBLY	1	1		
3	E27 Y98 976	CORNER BOX L	1	1		
4	E27 Y98 975	CORNER BOX R	1	1		
5	E27 21F 620	INDOOR HEAT EXCHANGER	1	1		
6	E27 13D 307	INDOOR COIL THERMISTOR	1	1	TH2, TH5	
7	E27 P68 100	AIR FILTER	2	2		
8	E27 P63 021	ARM HOLDER SET	1	1		set (left, right)
9	E27 P68 010	FRONT PANEL	1	1		
10	E22 F95 142	CATCH	2	2		2 pcs/set
11	E22 98B 067	SCREW CAP	2	2		2 pcs/set
12	E27 P68 000	PANEL ASSEMBLY	1	1		Includes 8, 9, 10, 11

**FAN AND ELECTRICAL PARTS**  
**PKA-A12LA.TH**  
**PKA-A18LA.TH**



1. The part quantity below indicates the required number of pieces per unit.
2. The circled No. indicates that the part is not shown in the figure.

No.	Parts No.	Parts Name	PKA-A12LA.TH	PKA-A18LA.TH	Wiring Diagram Symbol	Remarks [Drawing No.]
1	E22 T20 702	DRAIN HOSE	1	1		
2	-	DRAIN CAP	1	1		[SU26R611H01]
3	E27 13D 235	NOZZLE ASSEMBLY	1	1		Full assembly except drain hose
4	E27 103 303	VANE MOTOR (UPPER)	1	1	MV1	
5	E22 Y54 303	VANE MOTOR (LOWER)	1	1	MV2	
6	E27 13D 040	VANE UPPER	1	1		
7	E27 13D 041	VANE LOWER	1	1		
8	E27 21F 375	TERMINAL BLOCK	1	1	TB4	
9	E27 249 375	TERMINAL BLOCK	1	1	TB5	
10	E27 P63 308	ROOM TEMP. THERMISTOR	1	1	TH1	
11	E27 Y99 468	DISPLAY AND RECEIVER P.C. BOARD	1	1	L.B., W.B., S.B.	
12	E27 P63 095	DISPLAY RECEIVER HOLDER	1	1		
13	E27 21F 447	INDOOR CONTROLLER BOARD	1	1	I.B.	
14	E27 P63 333	MOTOR BAND	1	1		
15	E27 P63 541	WATER COVER	1	1		
16	E27 P64 333	MOTOR BED	1	1		
17	E27 13D 300	INDOOR FAN MOTOR	1	1	MF	Includes rubber mounts
18	E27 P68 302	LINE FLOW FAN	1	1		
19	E22 A89 509	BEARING MOUNT ASSEMBLY	1	1		
20	E27 Y98 978	CONDUIT PLATE SET	1	1		
21	E22 C32 667	UNION 1/4"	1	1		for liquid
22	E22 179 667	UNION 1/2"	1	1		for gas

**2****OPTIONAL PARTS**

<b>Parts name</b>	<b>Parts No.</b>
Wired Remote Controller	PAR-32/40MAA, PAC-YT53CRAU
Wireless remote controller	PAR-FL32MA, PAR-SL100A-E
Wireless signal receiver	PAR-FA32MA
External Drain pump kit	PAC-SK01DM-E
Remote On/Off Adapter	PAOSE55RA-E
Connector Cable for Remote Display	PAC-SA88HA-EP
Wi-Fi Interface	PAC-WHS01WF-E
T-STAT Interface	PAC-US444CN-1
Remote Sensor	PAC-SE41TS-E
USNAP Interface	PAC-WHS02UP-E
Heater control relay adapter	PAC-SE56RA-E

**MITSUBISHI ELECTRIC CORPORATION**

HEAD OFFICE: TOKYO BUILDING, 2-7-3, MARUNOUCHI, CHIYODA-KU TOKYO 100-8310, JAPAN