

PARTS CATALOG

CITY MULTI Series

Wall Mounted

R410A

Indoor unit
[Model Name]

PKFY-P06NBMU-E2

[Service Ref.]

PKFY-P06NBMU-E2

PKFY-P06NBMU-E2R1

Revision:

- Added PKFY-P06NBMU-E2R1 in REVISED EDITION-A.
- Some descriptions have been modified.

OCB516 is void.

Note:

- RoHS compliant products have <G> mark on the spec name plate.



INDOOR UNIT

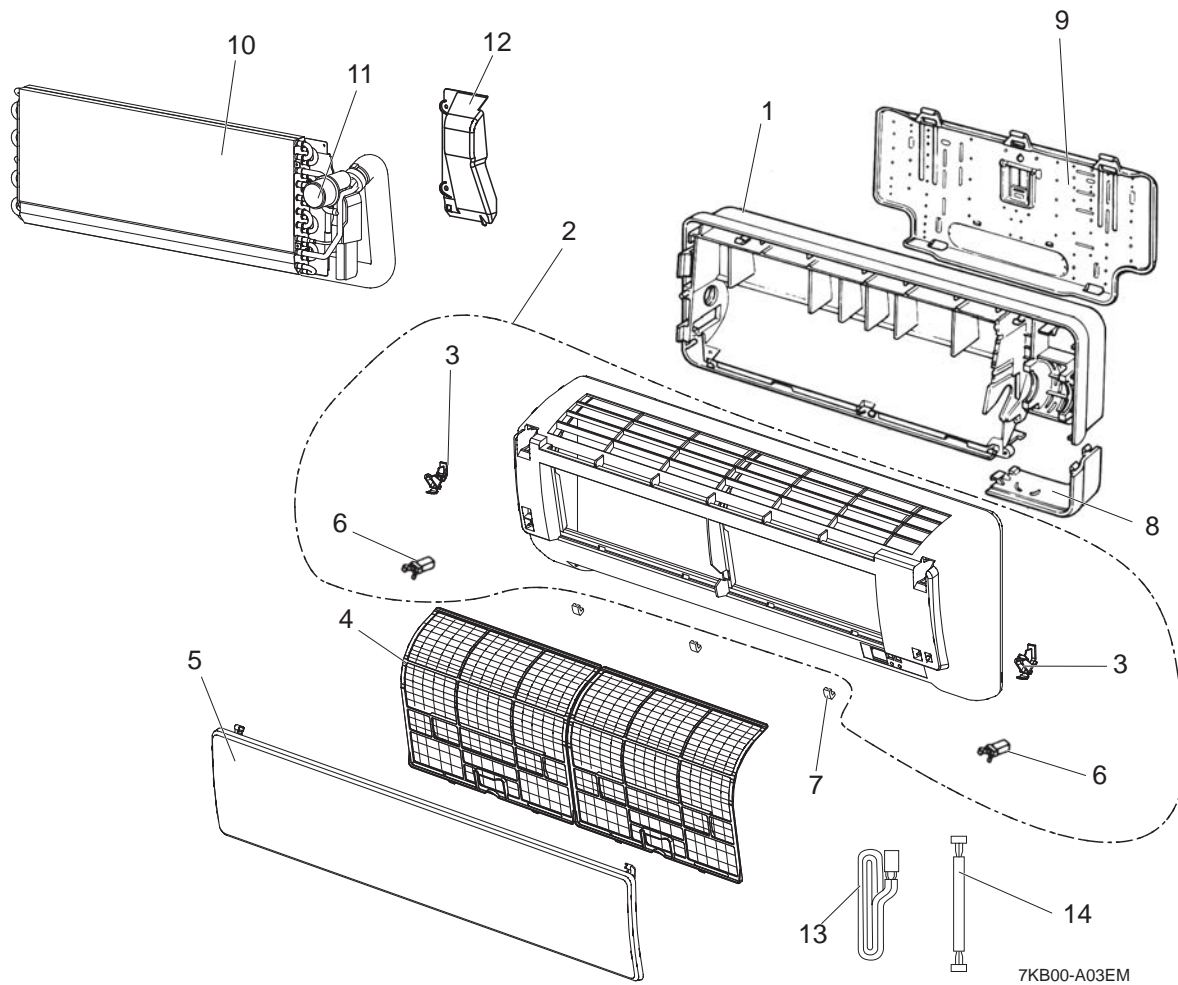
Model name
indication

CONTENTS

1. RoHS PARTS LIST	2
2. OPTIONAL PARTS	4

CITY MULTI

PANEL AND HEAT EXCHANGER PARTS

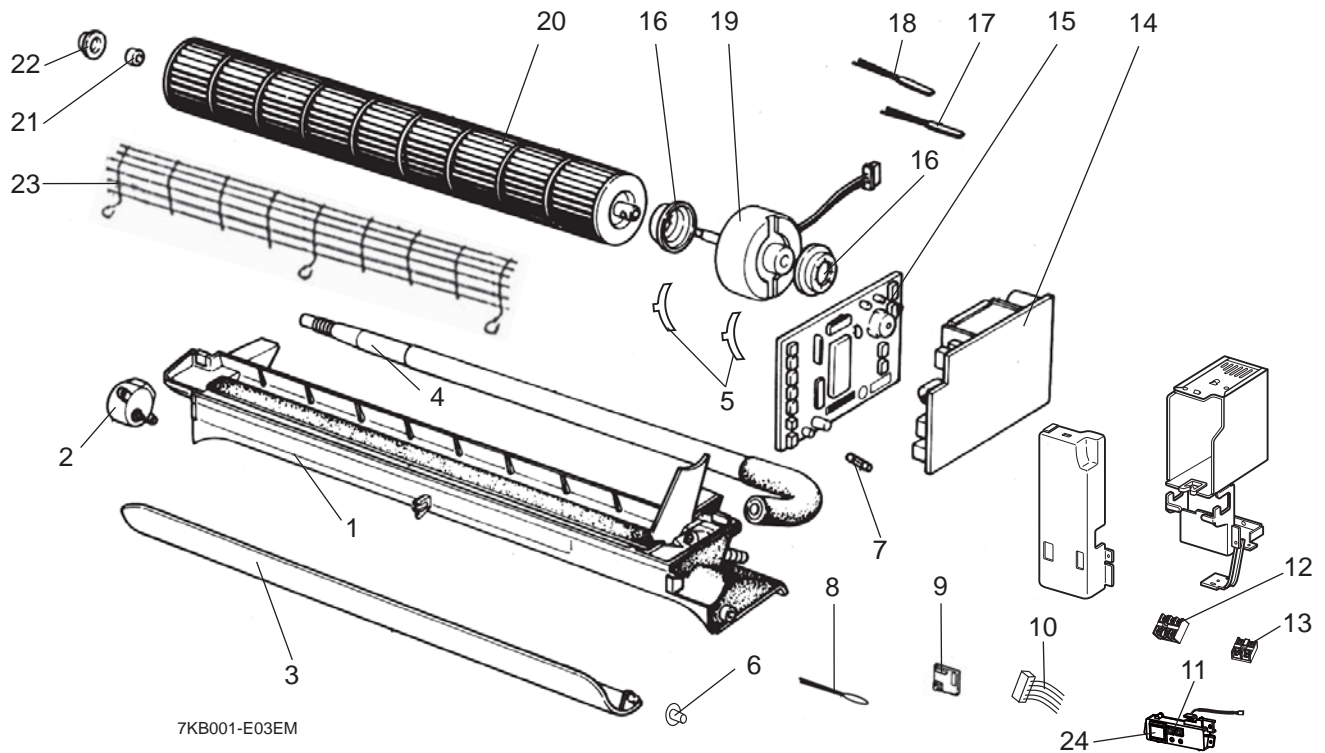


7KB00-A03EM

No.	RoHS	Part No.	Part Name	Specification	Q'ty/unit		Remarks (Drawing No.)	Wiring Diagram Symbol	Recom- mended Q'ty
					PKFY-P06NBMU -E2	-E2R1			
1	G	R01 E01 635	BOX		1	1			
2	G	T7W E11 651	FRONT PANEL		1	1			
3	G	R01 E14 054	HOLDER		1	1	SET(LEFT,RIGHT)		
4	G	R01 H01 500	AIR FILTER		2	2			
5	G	R01 E53 691	GRILLE		1	1			
6	G	R01 E00 054	GRILLE CATCH		2	2			
7	G	R01 E08 096	SCREW CAP		1	1	3 pcs/set		
8	G	R01 24A 658	CORNER BOX		1	1			
9	G	R01 23A 808	BACK PLATE		1	1			
10	G	R01 Y07 480	HEAT EXCHANGER		1		with connect pipe		
	G	R01 Y08 480	HEAT EXCHANGER			1	with connect pipe		
11	G	R01 H05 401	EXPANSION VALVE		1			LEV	
	G	R01 L03 401	LEV-4/EFM(BN)			1		LEV	
12	G	R01 E00 525	WATER CUT		1	1			
13	G	R01 E06 305	REMOCON CORD(5M)		1	1	5 m		
14	G	R01 E15 304	LEAD WIRE WB		1	1			

RoHS PARTS LIST

ELECTRICAL PARTS



No.	RoHS	Part No.	Part Name	Specification	Q'ty/unit		Remarks (Drawing No.)	Wiring Diagram Symbol	Recom- mended Q'ty
					PKFY-P06NBMU -E2	-E2R1			
1	G	R01 23A 530	NOZZLE		1	1			
2	G	R01 E23 223	VANE MOTOR		1	1	with lead wire	MV	
3	G	R01 E26 002	AUTO VANE		1	1			
4	G	R01 23A 527	DRAIN HOSE		1	1			
5	G	R01 23A 126	MOTOR BAND		1	1	SET (LEFT,RIGHT)		
6	G	R01 08Y 092	VANE SLEEVE		1	1			
7	G	T7W 420 239	FUSE 250V 6A	250V 6A	1	1		FUSE	
8	G	R01 H06 202	ROOM TEMP. THERMISTOR		1	1		TH21	
9	G	T7W E01 294	ADDRESS BOARD		1	1		A.B	
10	G	T7W E04 304	ADDRESS CABLE		1	1			
11	G	R01 E00 323	WIRELESS ADAPTER SET		1	1	with case		
12	G	T7W E43 716	TERMINAL BLOCK	3P (L1,L2,GR)	1	1		TB2	
13	G	T7W E42 716	TERMINAL BLOCK	2P (M1,M2)	1	1		TB5	
14	G	T7W E37 313	POWER BOARD		1	1		P.B	
15	G	T7W C00 310	CONTROOLER BOARD		1	1		I.B	
16	G	R01 23A 105	RUBBER MOUNT		2	2			
17	G	R01 H05 202	THERMISTOR	LIQUID	1	1		TH22	
18	G	R01 H14 202	THERMISTOR	GAS	1	1		TH23	
19	G	T7W E41 762	FAN MOTOR		1	1		MF	
20	G	R01 23A 114	LINE FLOW FAN		1	1			
21	G	R01 E04 103	SLEEVE BEARING		1	1			
22	G	R01 23A 102	BEARING MOUNT		1	1			
23	G	T7W 23A 675	FAN GUARD		1	1			
24	G	R01 E07 317	WIRELESS ADAPTER		1	1		W.B	

2**OPTIONAL PARTS****2-1. WIRELESS REMOTE CONTROLLER**

Part No.	PAR-FL32MA-E
----------	--------------

2-2. WIRED REMOTE CONTROLLER (MA REMOTE CONTROLLER)

Part No.	PAR-32MAA
----------	-----------

2-3. WIRED REMOTE CONTROLLER (SIMPLE MA REMOTE CONTROLLER)

Part No.	PAC-YT53CRAU
----------	--------------

2-4. WIRED REMOTE CONTROLLER (ME REMOTE CONTROLLER)

Part No.	PAR-F27MEA
----------	------------

2-5. WIRED REMOTE CONTROLLER (SMART ME CONTROLLER)

Part No.	PAR-U01MEDU
----------	-------------

2-6. EXTERNAL HEATER ADAPTER

Part No.	PAR-SA88HA-E
----------	--------------

2-7. REMOTE ON/OFF ADAPTOR

Part No.	PAC-SE55RA-E
----------	--------------

2-8. REMOTE SENSOR

Part No.	PAC-SE41TS
----------	------------

mitsubishi electric corporation

HEAD OFFICE : TOKYO BUILDING, 2-7-3, MARUNOUCHI, CHIYODA-KU, TOKYO 100-8310, JAPAN