

SPLIT-TYPE, HEAT PUMP AIR CONDITIONERS

Changes for the Better

November 2011

No. OCB461

REVISED EDITION-A

PARTS CATALOG

Series PKFY Wall Mounted R410A / R22

Indoor unit
[Model names]
PKFY-P06NBMU-E

[Service Ref.]

PKFY-P06NBMU-E
PKFY-P06NBMU-ER1

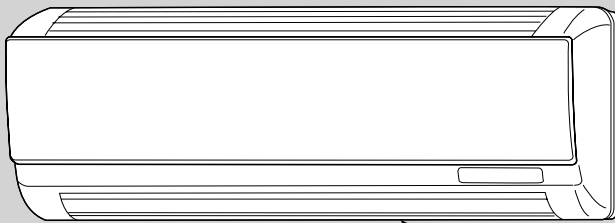
PKFY-P08NBMU-E

PKFY-P08NBMU-E
PKFY-P08NBMU-ER1

Revision:
• PKFY-P06/08NBMU-ER1 have been added in REVISED EDITION-A.
• Some descriptions have been modified.

• Please void OCB461.

Note:
• RoHS compliant products have <G> mark on the spec name plate.



INDOOR UNIT

Model name indication

CONTENTS

- 1. RoHS PARTS LIST 2
- 2. OPTIONAL PARTS BACK COVER

SERVICE MANUAL (OCH461)



CITY MULTI

PANEL AND HEAT EXCHANGER PARTS

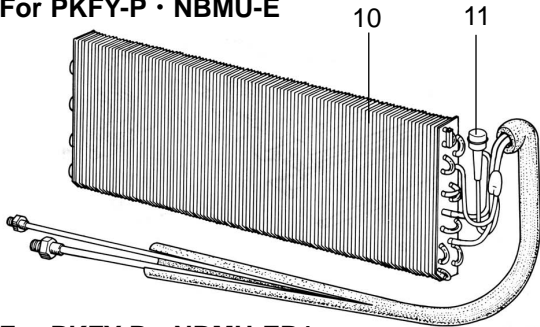
PKFY-P06NBMU-E

PKFY-P08NBMU-E

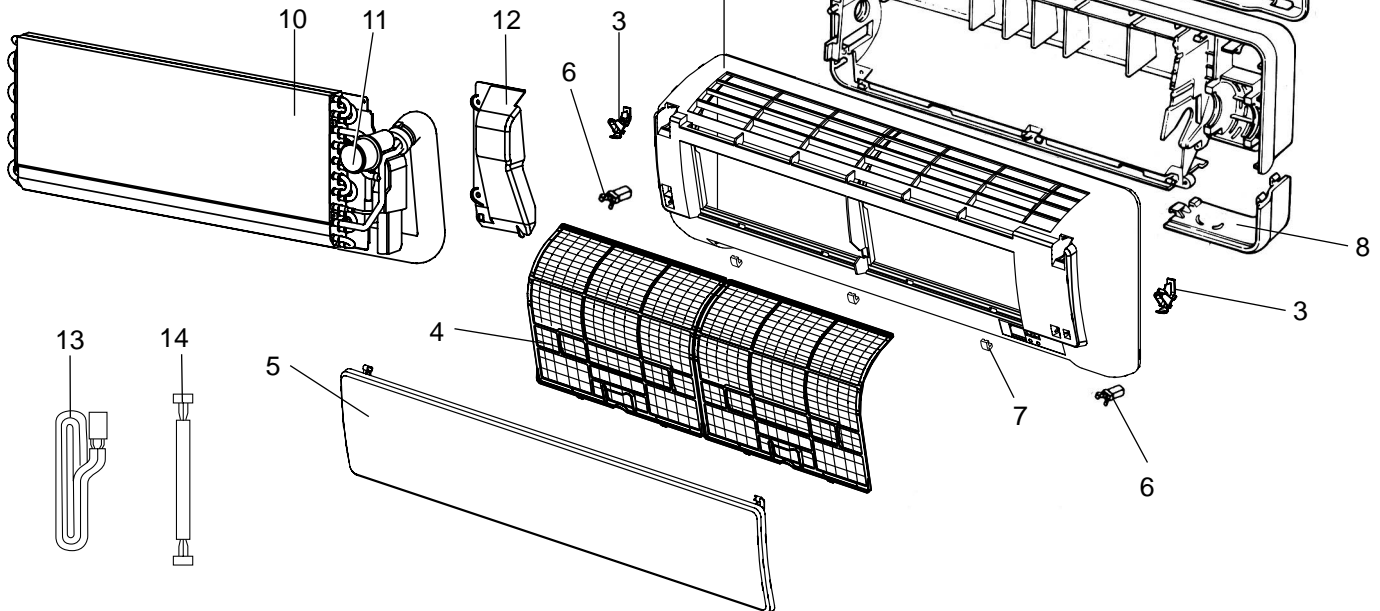
PKFY-P06NBMU-ER1

PKFY-P08NBMU-ER1

For PKFY-P · NBMU-E



For PKFY-P · NBMU-ER1



No.	RoHS	Part No.	Part Name	Specification	Q'ty/set		Remarks (Drawing No.)	Wiring Diagram Symbol	Recom- mended Q'ty
					PKFY-P06NBMU	PKFY-P08NBMU			
					-E	-ER1			
1	G	R01 E01 635	BOX		1	1			
2	G	T7W E11 651	FRONT PANEL		1	1			
3	G	R01 E14 054	HOLDER	SET(LEFT,RIGHT)	1	1			
4	G	R01 H01 500	AIR FILTER		2	2			
5	G	R01 E53 691	GRILLE		1	1			
6	G	R01 E00 054	GRILLE CATCH		2	2			
7	G	R01 E08 096	SCREW CAP		1	1	3pcs/set		
8	G	R01 24A 658	CORNER BOX		1	1			
9	G	R01 23A 808	BACK PLATE		1	1			
10	G	R01 Y05 480	HEAT EXCHANGER		1		with connect pipe		
	G	R01 Y07 480	HEAT EXCHANGER			1	with connect pipe		
11	G	R01 H23 401	LINER EXPANSION VALVE		1	1		LEV	
12	G	R01 E00 525	WATER CUT			1			
13	G	R01 E06 305	REMOTE CONTROLLER CORD		1	1			
14	G	R01 E15 304	CABLE ASSY		1	1			

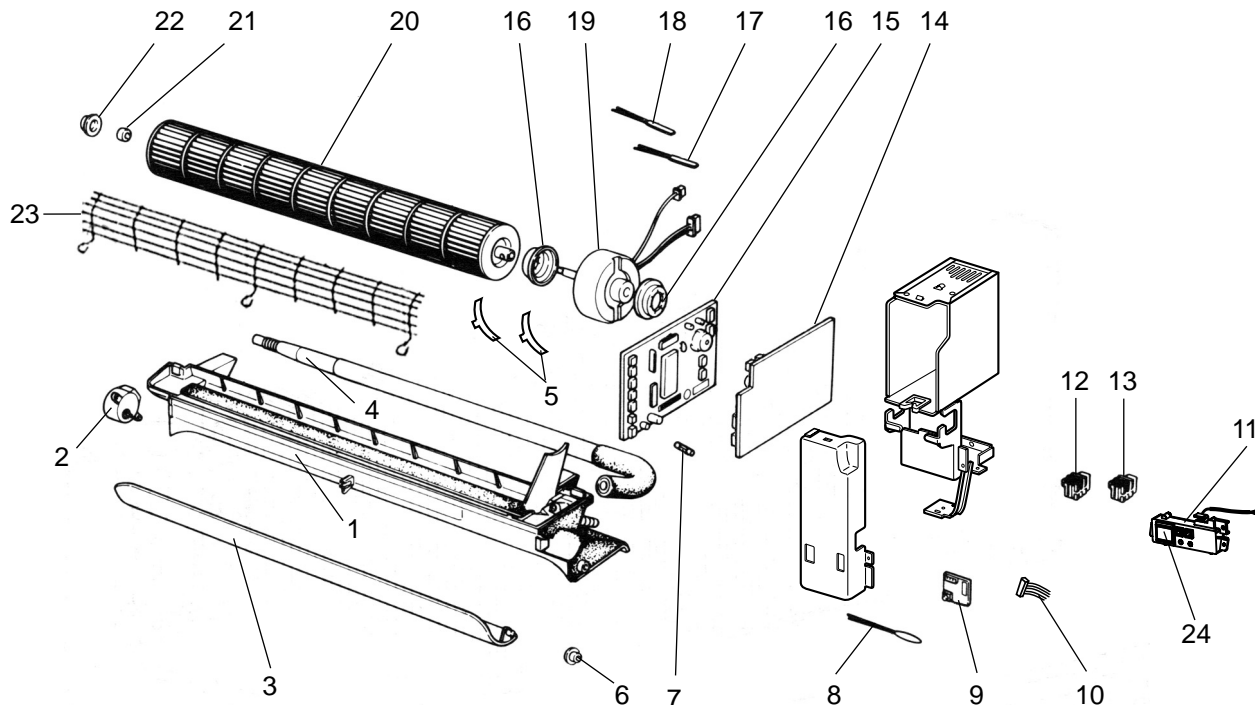
ELECTRICAL PARTS

PKFY-P06NBMU-E

PKFY-P08NBMU-E

PKFY-P06NBMU-ER1

PKFY-P08NBMU-ER1



No.	RoHS	Part No.	Part Name	Specification	Q'ty/set		Remarks (Drawing No.)	Wiring Diagram Symbol	Recom- mended Q'ty
					PKFY-P06NBMU	PKFY-P08NBMU			
					-E	-ER1			
1	G	R01 23A 530	NOZZLE		1	1			
2	G	R01 E23 223	VANE MOTOR		1	1		MV	
3	G	R01 E26 002	AUTO VANE		1	1			
4	G	R01 23A 527	DRAIN HOSE		1	1			
5	G	R01 23A 126	MOTOR BAND	SET(LEFT,RIGHT)	1	1			
6	G	R01 08Y 092	VANE SLEEVE		1	1			
7	G	T7W 420 239	FUSE	250V 6A	1	1		FUSE	
8	G	R01 H06 202	ROOM TEMPERATURE THERMISTOR		1	1		TH21	
9	G	T7W E01 294	ADDRESS BOARD		1	1		A.B	
10	G	T7W E04 304	ADDRESS CABLE		1	1			
11	G	R01 E00 323	WIRELESS ADAPTER ASSY		1	1	with case	W.B	
12	G	T7W E43 716	TERMINAL BLOCK	3P (L1,L2,GR)	1	1		TB2	
13	G	T7W E42 716	TERMINAL BLOCK	2P (M1,M2)	1	1		TB5	
14	G	T7W E37 313	POWER BOARD		1	1		P.B	
15	G	T7W E84 310	INDOOR CONTROOLER BOARD		1	1		I.B	
16	G	R01 23A 105	RUBBER MOUNT		2	2			
17	G	R01 H14 202	PIPE TEMPERATURE THERMISTOR	GAS	1	1		TH23	
18	G	R01 H05 202	PIPE TEMPERATURE THERMISTOR	LIQUID	1	1		TH22	
19	G	T7W E41 762	FAN MOTOR	PS4NB-KB	1	1		MF	
20	G	R01 23A 114	LINE FLOW FAN		1	1			
21	G	R01 E04 103	SLEEVE BEARING		1	1			
22	G	R01 23A 102	BEARING MOUNT		1	1			
23	G	T7W 23A 675	FAN GUARD		1	1			
24	G	R01 E07 317	WIRELESS ADAPTER		1	1		W.B	

2**OPTIONAL PARTS****2-1. WIRELESS REMOTE CONTROLLER**

Part No.	PAR-FL32MA
----------	------------

2-2. WIRED REMOTE CONTROLLER (MA REMOTE CONTROLLER)

Part No.	PAR-21MAA
----------	-----------

2-3. WIRED REMOTE CONTROLLER (ME REMOTE CONTROLLER)

Part No.	PAR-F27MEA
----------	------------

2-4. EXTERNAL HEATER ADAPTER

Part No.	PAC-SA88HA-E
----------	--------------

MITSUBISHI ELECTRIC CORPORATION

HEAD OFFICE : TOKYO BLDG., 2-7-3, MARUNOUCHI, CHIYODA-KU, TOKYO 100-8310, JAPAN