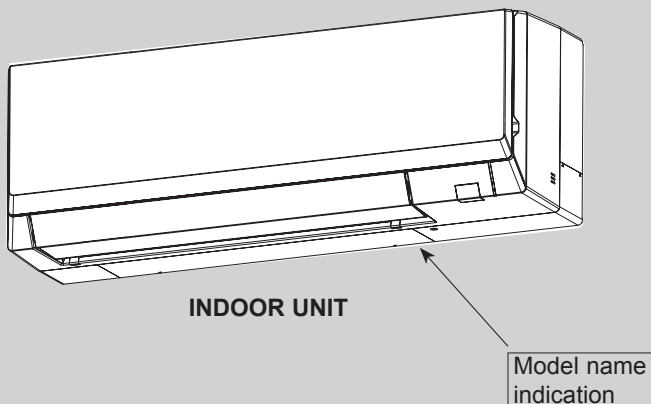


PARTS CATALOG

Series PKFY Wall Mounted R410A

Indoor unit [Model Name]	[Service Ref.]
PKFY-P04NLMU-E	PKFY-P04NLMU-E.TH
PKFY-P06NLMU-E	PKFY-P06NLMU-E.TH
PKFY-P08NLMU-E	PKFY-P08NLMU-E.TH
PKFY-P12NLMU-E	PKFY-P12NLMU-E.TH
PKFY-P15NLMU-E	PKFY-P15NLMU-E.TH
PKFY-P18NLMU-E	PKFY-P18NLMU-E.TH



CONTENTS

1. SERVICE PARTS LIST	2
2. OPTIONAL PARTS	6

SERVICE MANUAL (OCH715)

CITY MULTI

1

SERVICE PARTS LIST

1-1. PANEL AND HEAT EXCHANGER PARTS

PKFY-P04NLMU-E.TH

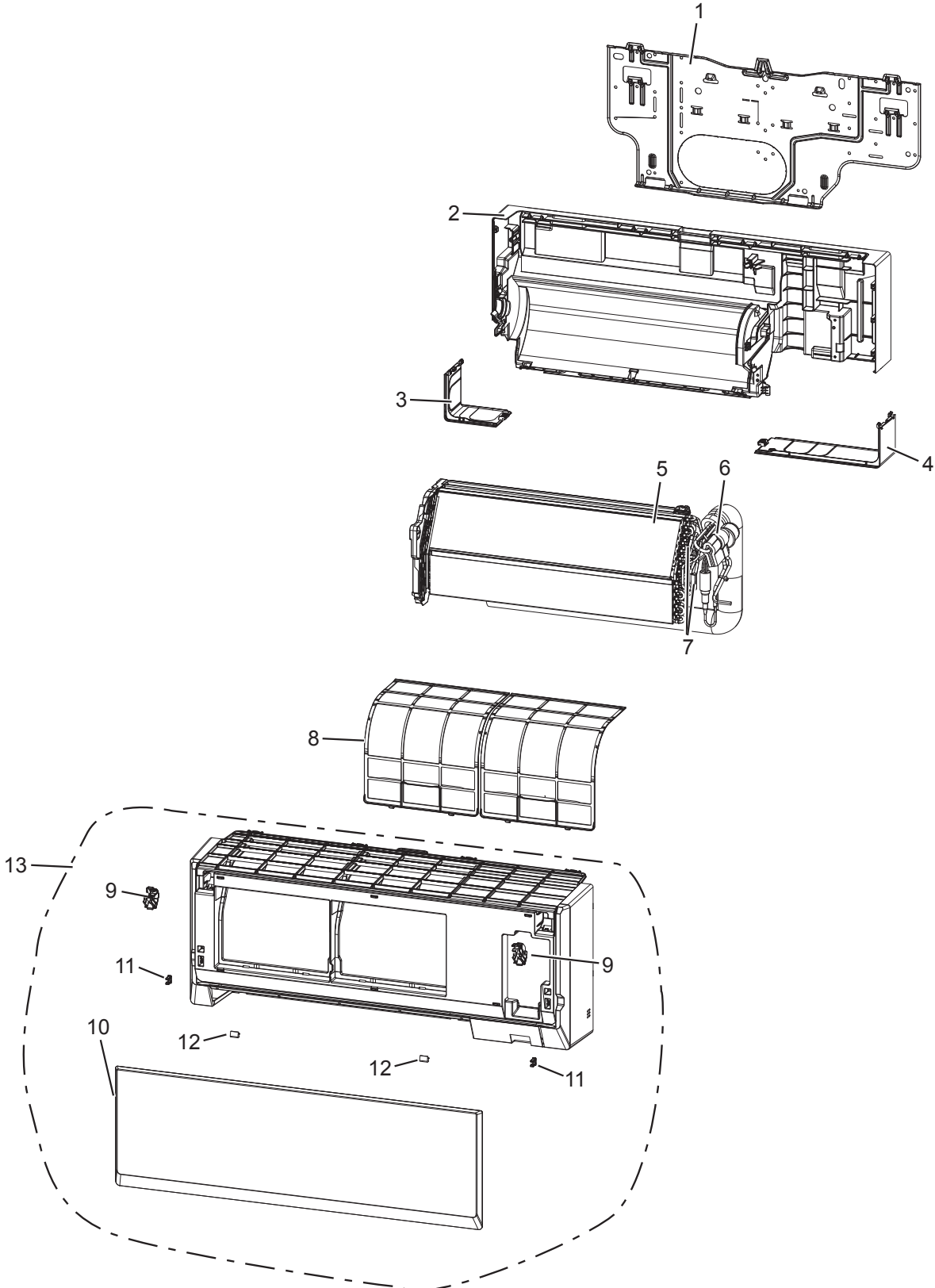
PKFY-P06NLMU-E.TH

PKFY-P08NLMU-E.TH

PKFY-P12NLMU-E.TH

PKFY-P15NLMU-E.TH

PKFY-P18NLMU-E.TH



PANEL AND HEAT EXCHANGER PARTS

1. The part quantity below indicates the required number of pieces per unit.
2. The circled No. indicates that the part is not shown in the figure.

No.	Part No.	Part Name	PKFY-P04NLMU-E.TH	PKFY-P06NLMU-E.TH	PKFY-P08NLMU-E.TH	PKFY-P12NLMU-E.TH	PKFY-P15NLMU-E.TH	PKFY-P18NLMU-E.TH	Wiring Diagram Symbol	Remarks [Drawing No.]
1	E27 P63 970	INSTALLATION PLATE	1	1	1	1				
1	E27 P68 970	INSTALLATION PLATE					1	1		
2	E27 P70 234	BOX ASSEMBLY	1	1	1	1				
2	E27 P68 234	BOX ASSEMBLY					1	1		
3	E27 Y98 976	CORNER BOX L	1	1	1	1	1	1		
4	E27 Y98 975	CORNER BOX R	1	1	1	1	1	1		
5	E27 Y98 620	INDOOR HEAT EXCHANGER	1							Includes connect pipes
5	E27 Y99 620	INDOOR HEAT EXCHANGER		1	1	1				
5	E27 03A 620	INDOOR HEAT EXCHANGER					1	1		
6	E27 P63 640	LINER EXPANSION VALVE	1						LEV	
6	E27 P64 640	LINER EXPANSION VALVE		1	1	1	1	1	LEV	
7	E27 P63 307	INDOOR COIL THERMISTOR	1	1	1	1	1	1	TH22, TH23	
8	E27 P63 100	AIR FILTER	2	2	2	2				
8	E27 P68 100	AIR FILTER					2	2		
9	E27 P63 021	ARM HOLDER SET	1	1	1	1	1	1		Set (left, right)
10	E27 P63 010	FRONT PANEL	1	1	1	1				
10	E27 P68 010	FRONT PANEL					1	1		
11	E22 F95 142	CATCH	2	2	2	2	2	2		2 pcs/set
12	E22 98B 067	SCREW CAP	2	2	2	2	2	2		2 pcs/set
13	E27 P63 000	PANEL ASSEMBLY	1	1	1	1				Includes 9,10,11,12
13	E27 P68 000	PANEL ASSEMBLY					1	1		Includes 9,10,11,12

1-2. ELECTRICAL PARTS

PKFY-P04NLMU-E.TH

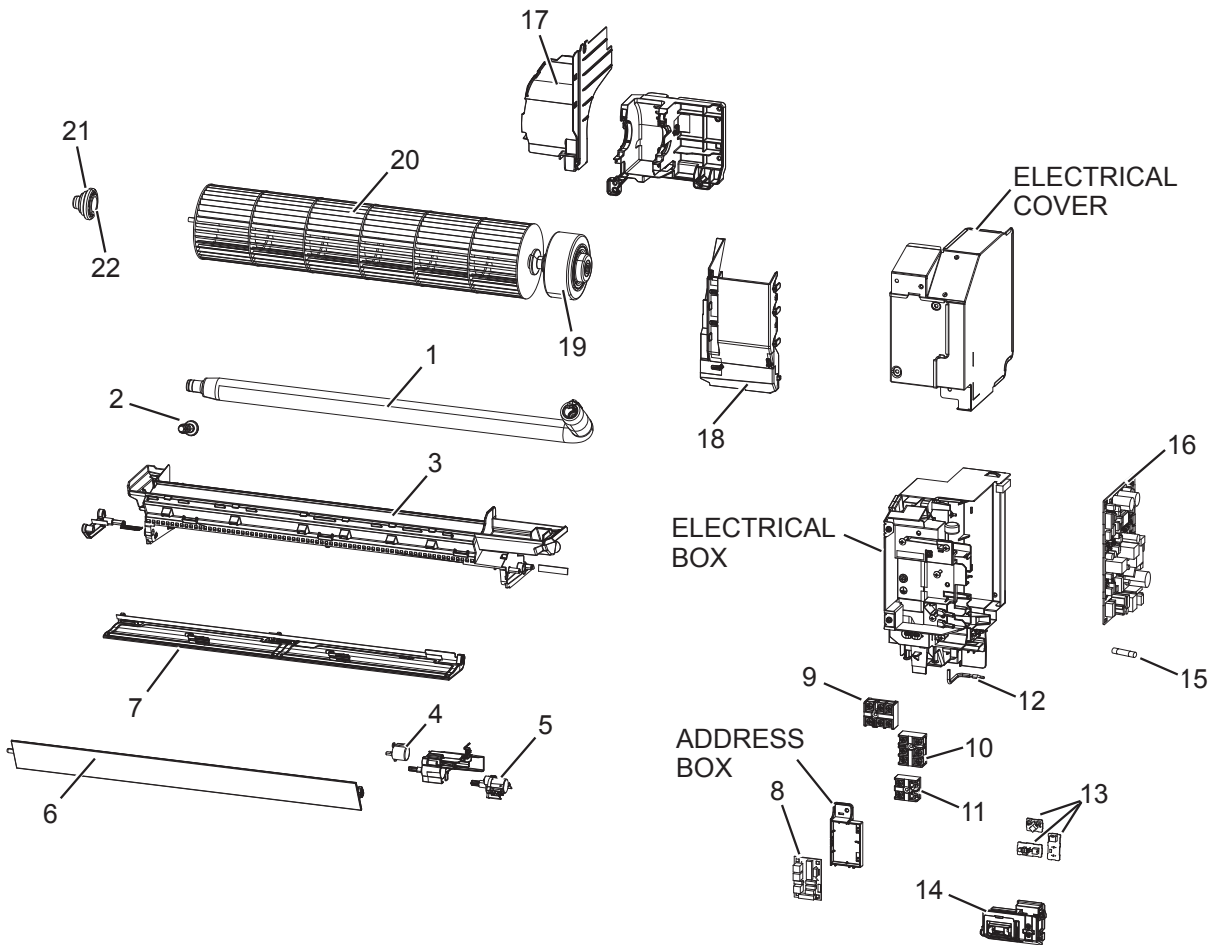
PKFY-P06NLMU-E.TH

PKFY-P08NLMU-E.TH

PKFY-P12NLMU-E.TH

PKFY-P15NLMU-E.TH

PKFY-P18NLMU-E.TH



ELECTRICAL PARTS

1. The part quantity below indicates the required number of pieces per unit.
2. The circled No. indicates that the part is not shown in the figure.

No.	Part No.	Part Name	PKFY-P04NLMU-E.TH	PKFY-P06NLMU-E.TH	PKFY-P08NLMU-E.TH	PKFY-P12NLMU-E.TH	PKFY-P15NLMU-E.TH	PKFY-P18NLMU-E.TH	Wiring Diagram Symbol	Remarks [Drawing No.]
1	E22 T20 702	DRAIN HOSE	1	1	1	1	1	1		
2	–	DRAIN CAP	1	1	1	1	1	1		[SU26R611H01]
3	E27 P63 235	NOZZLE ASSEMBLY	1	1	1	1				Full assembly except drain hose
3	E27 P68 235	NOZZLE ASSEMBLY					1	1		
4	E27 103 303	VANE MOTOR (UPPER)	1	1	1	1	1	1	MV1	
5	E22 Y54 303	VANE MOTOR (LOWER)	1	1	1	1	1	1	MV2	
6	E27 P63 040	VANE UPPER	1	1	1	1				
6	E27 P68 040	VANE UPPER					1	1		
7	E27 P63 041	VANE LOWER	1	1	1	1				
7	E27 P68 041	VANE LOWER					1	1		
8	E27 696 456	ADDRESS BOARD	1	1	1	1	1	1	A.B.	
9	E27 Y98 375	TERMINAL BLOCK	1	1	1	1	1	1	TB2	Power supply
10	E27 519 375	TERMINAL BLOCK	1	1	1	1	1	1	TB5	Transmission
11	E27 249 375	TERMINAL BLOCK	1	1	1	1	1	1	TB15	MA-Remote controller
12	E27 P63 308	ROOM TEMP. THERMISTOR	1	1	1	1	1	1	TH21	
13	E27 Y99 468	DISPLAY AND RECEIVER P.C. BOARD	1	1	1	1	1	1	L.B., W.B., S.B.	
14	E27 P63 095	DISPLAY RECEIVER HOLDER	1	1	1	1	1	1		
15	E22 A49 382	FUSE	1	1	1	1	1	1	F1	T3.15AL250V
16	E27 Y99 447	INDOOR CONTROLLER BOARD	1	1	1	1	1	1	I.B.	
17	E27 P63 333	MOTOR BAND	1	1	1	1	1	1		
18	E27 P63 541	WATER COVER	1	1	1	1	1	1		
19	E27 P63 300	INDOOR FAN MOTOR	1	1	1	1	1	1	MF	Includes rubber mounts
20	E27 P63 302	LINE FLOW FAN	1	1	1	1				
20	E27 P68 302	LINE FLOW FAN					1	1		
21	E22 751 509	BEARING MOUNT	1	1	1	1	1	1		
22	E22 001 504	SLEEVE BEARING	1	1	1	1	1	1		
23	E27 Y98 978	CONDUIT PLATE SET	1	1	1	1	1	1		
24	E22 C32 667	UNION 1/4"	1	1	1	1	1	1		for liquid
25	E22 179 667	UNION 1/2"	1	1	1	1	1	1		for gas

2**OPTIONAL PARTS****2-1. WIRELESS REMOTE CONTROLLER**

Part No.	PAR-SL100A-E
----------	--------------

2-2. WIRED REMOTE CONTROLLER (MA REMOTE CONTROLLER)

Part No.	PAR-40MAA
----------	-----------

2-3. WIRED REMOTE CONTROLLER (SIMPLE MA REMOTE CONTROLLER)

Part No.	PAC-YT53CRAU
----------	--------------

2-4. WIRED REMOTE CONTROLLER (SMART ME CONTROLLER)

Part No.	PAR-U01MEDU
----------	-------------

2-5. REMOTE ON/OFF ADAPTOR

Part No.	PAC-SE55RA-E
----------	--------------

2-6. REMOTE DISPLAY ADAPTOR

Part No.	PAC-SA88HA-E
----------	--------------

2-7. REMOTE SENSOR

Part No.	PAC-SE41TS-E
----------	--------------

2-8. DRAIN PUMP KIT

Part No.	PAC-SK01DM-E
----------	--------------

mitsubishi electric corporation

HEAD OFFICE : TOKYO BUILDING, 2-7-3, MARUNOUCHI, CHIYODA-KU, TOKYO 100-8310, JAPAN