

PARTS CATALOG

Series PKFY Wall Mounted

Indoor unit

[Model Name]

PKFY-WL18NKMU-E

[Service Ref.]

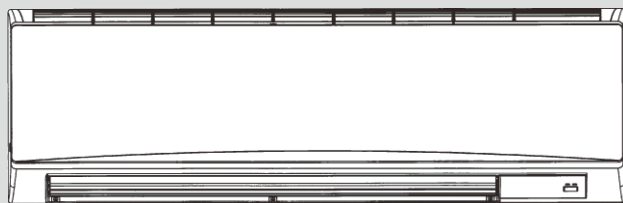
PKFY-WL18NKMU-E.TH

PKFY-WL24NKMU-E

PKFY-WL24NKMU-E.TH

PKFY-WL30NKMU-E

PKFY-WL30NKMU-E.TH



INDOOR UNIT

CONTENTS

1. SERVICE PARTS LIST 2
2. OPTIONAL PARTS 6

SERVICE MANUAL (TCH121)



WIRELESS REMOTE
CONTROLLER
(Option)



WIRED REMOTE
CONTROLLER
(Option)

CITY MULTI

1

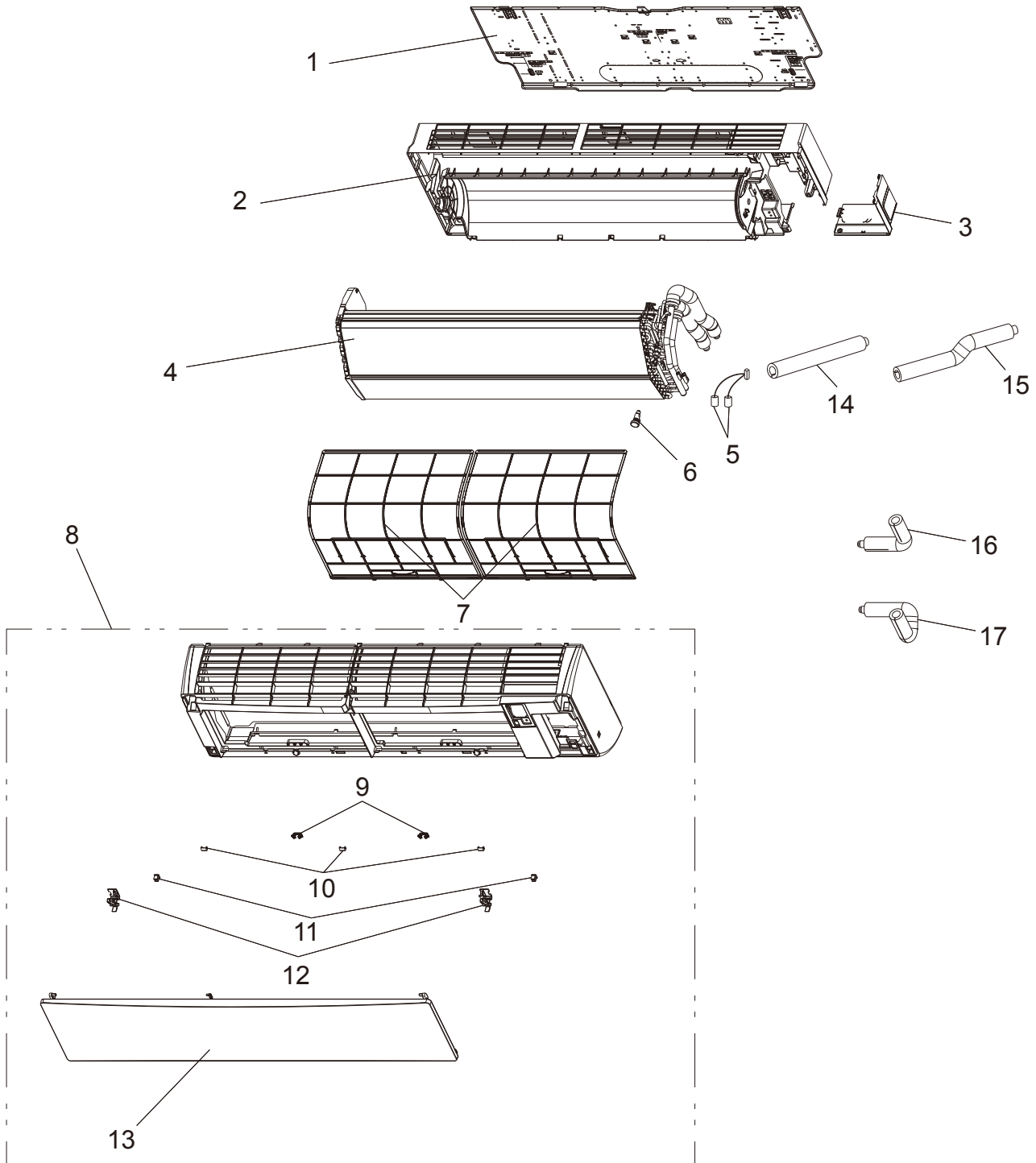
SERVICE PARTS LIST

1-1. PANEL AND HEAT EXCHANGER PARTS

PKFY-WL18NKMU-E.TH

PKFY-WL24NKMU-E.TH

PKFY-WL30NKMU-E.TH



PANEL AND HEAT EXCHANGER PARTS

1. The part quantity below indicates the required number of pieces per unit.
2. The circled No. indicates that the part is not shown in the figure.

No.	Part No.	Part Name	PKFY-WL18NKMU-E.TH	PKFY-WL24NKMU-E.TH	PKFY-WL30NKMU-E.TH	Wiring Diagram Symbol	Remarks
1	E27 30E 970	INSTALLATION PLATE	1	1	1		
2	E22 D20 234	BOX ASSEMBLY	1	1	1		
3	E22 C92 975	CORNER BOX	1	1	1		
4	E27 24W 620	INDOOR HEAT EXCHANGER	1	1	1		Full assembly except CONNECTION PIPE
5	E27 K15 307	INDOOR COIL THERMISTOR	1	1	1	TH22, TH23	
6	E27 895 642	AIR PURGE VALVE	1	1	1		
7	E22 C92 100	CATECHIN AIR FILTER	2	2	2		1 pc/set
8	E27 30E 000	PANEL ASSEMBLY	1	1	1		Includes 9, 10, 11, 12, 13
9	E22 C92 142	CATCH	2	2	2		2 pcs/set
10	E22 C92 067	SCREW CAP	3	3	3		3 pcs/set
11	E22 408 142	CATCH	2	2	2		2 pcs/set
12	E27 30E 021	ARM HOLDER SET	1	1	1		Set (left, right)
13	E27 B04 010	FRONT PANEL	1	1	1		
14	E27 25W 668	STRAIGHT CONNECTION PIPE	1	1	1		
15	E27 24W 668	DECENTERING CONNECTION PIPE	1	1	1		
16	E27 26W 668	SHORT ELBOW CONNECTION PIPE	2	2	2		
17	E27 27W 668	BENT TURNING CONNECTION PIPE	1	1	1		
⑮	E27 30E 666	UNION 5/8"	2	2	2		Close to HEX main body

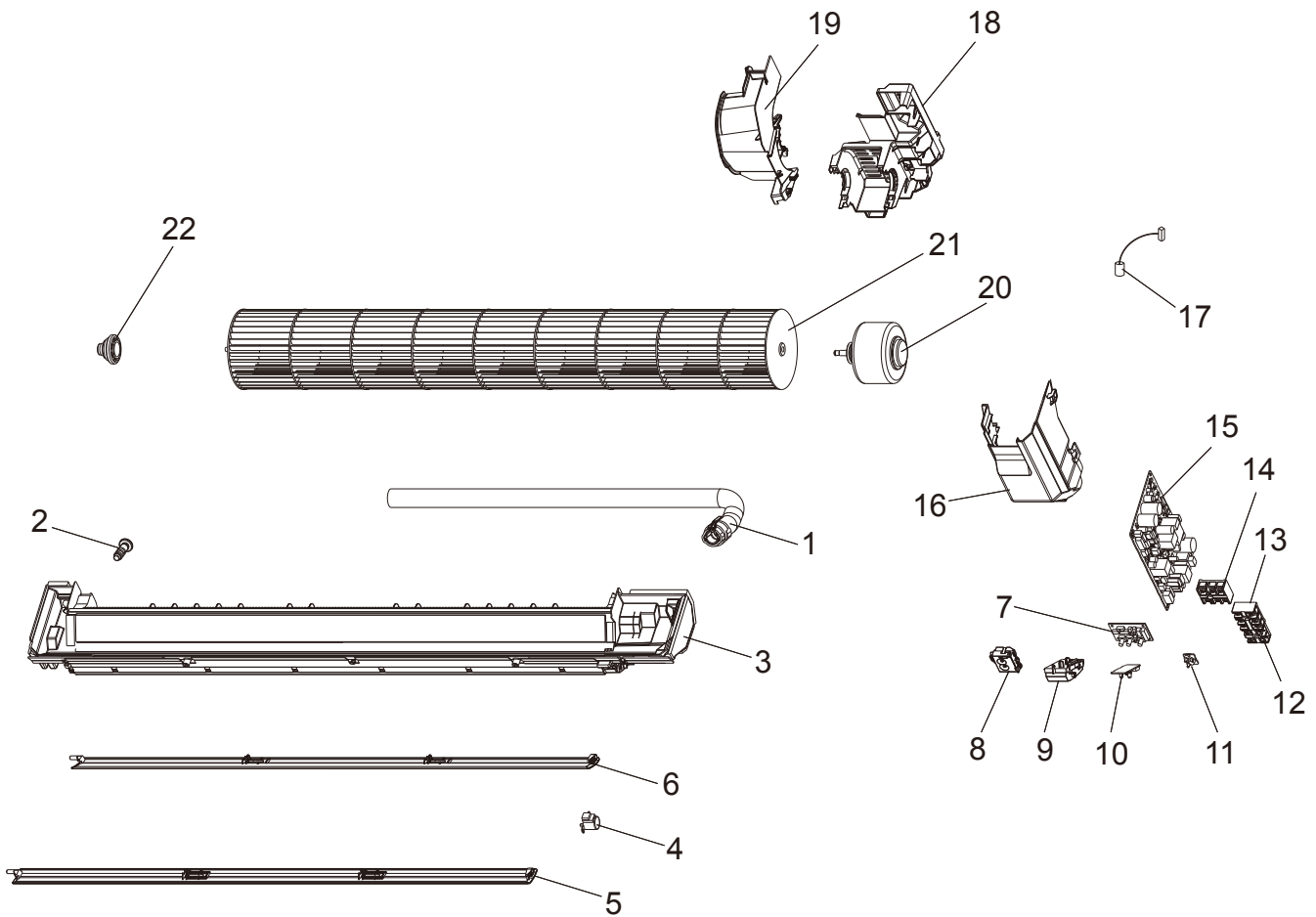
Parts number that is circled is not shown in the figure.

1-2. ELECTRICAL PARTS

PKFY-WL18NKMU-E.TH

PKFY-WL24NKMU-E.TH

PKFY-WL30NKMU-E.TH



ELECTRICAL PARTS

1. The part quantity below indicates the required number of pieces per unit.
2. The circled No. indicates that the part is not shown in the figure.

No.	Part No.	Part Name	PKFY-WL18NKMU-E.TH	PKFY-WL24NKMU-E.TH	PKFY-WL30NKMU-E.TH	Wiring Diagram Symbol	Remarks
1	E22 T20 702	DRAIN HOSE	1	1	1		
2	E27 42R 705	DRAIN CAP	1	1	1		SU26R611H01
3	E27 60R 235	NOZZLE ASSEMBLY	1	1	1		Full assembly except drain hose
4	E22 749 303	VANE MOTOR	1	1	1	MV	
5	E22 C92 040	VANE UPPER	1	1	1		
6	E22 C92 041	VANE LOWER	1	1	1		
7	E27 696 456	ADDRESS BOARD	1	1	1	A.B.	
8	E27 518 782	SWITCH HOLDER	1	1	1		
9	E22 C92 095	POWER MONITOR RECEIVER HOLDER	1	1	1		
10	E27 518 468	PCB FOR WIRELESS REMOTE CONTROLLER	1	1	1	W.B.	
11	E27 30E 326	SWITCH P.C. BOARD	1	1	1	S.B.	
12	E27 516 375	TERMINAL BLOCK	1	1	1	TB15	
13	E27 517 375	TERMINAL BLOCK	1	1	1	TB5	
14	E27 Y98 375	TERMINAL BLOCK	1	1	1	TB2	
15	E27 24W 447	INDOOR CONTROLLER BOARD	1	1	1	I.B.	
16	E27 30E 541	WATER COVER	1	1	1		
17	E27 518 308	ROOM TEMP. THERMISTOR	1	1	1	TH21	
18	E27 31E 333	MOTOR BED	1	1	1		
19	E27 30E 333	MOTOR BAND	1	1	1		
20	E27 30E 300	INDOOR FAN MOTOR	1	1	1	MF	Includes rubber mounts
21	E22 R79 302	LINE FLOW FAN	1	1	1		
22	E22 A89 509	BEARING MOUNT ASSEMBLY	1	1	1		
23	E27 24W 382	FUSE	1	1	1	F1	T3.15AL 250V

FOR OUTDOOR UNIT

Parts name	Parts No.
WIRELESS REMOTE CONTROLLER	PAR-SL101A-E
WIRED REMOTE CONTROLLER (MA REMOTE CONTROLLER)	PAR-41MAA
WIRED REMOTE CONTROLLER (SIMPLE MA REMOTE CONTROLLER)	PAC-YT53CRAU
WIRED REMOTE CONTROLLER (SMART ME CONTROLLER)	PAR-U01MEDU
REMOTE ON/OFF ADAPTOR	PAC-SE55RA-E
REMOTE DISPLAY ADAPTOR	PAC-SA88HA-E
REMOTE SENSOR	PAC-SE41TS-E
DRAIN PUMP KIT	PAC-SK19DM-E

mitsubishi electric corporation

HEAD OFFICE : TOKYO BUILDING, 2-7-3, MARUNOUCHI, CHIYODA-KU, TOKYO 100-8310, JAPAN