

# PARTS CATALOG

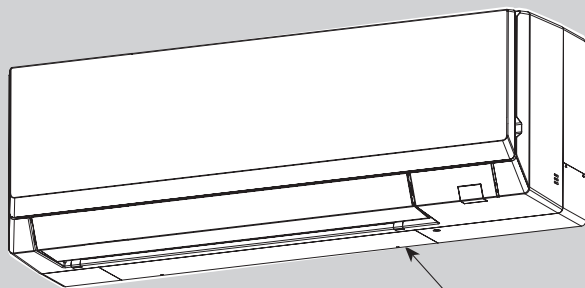
## Series PKFY Wall Mounted

Indoor unit  
[Model Name]

PKFY-WL04NLMU-E  
PKFY-WL06NLMU-E  
PKFY-WL08NLMU-E  
PKFY-WL12NLMU-E  
PKFY-WL15NLMU-E

[Service Ref.]

PKFY-WL04NLMU-E.TH  
PKFY-WL06NLMU-E.TH  
PKFY-WL08NLMU-E.TH  
PKFY-WL12NLMU-E.TH  
PKFY-WL15NLMU-E.TH



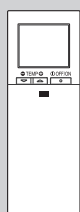
INDOOR UNIT

Model name  
india tion

### CONTENTS

- 1. SERVICE PARTS LIST ..... 2
- 2. OPTIONAL PARTS..... 6

**SERVICE MANUAL (TCH122)**



WIRELESS REMOTE  
CONTROLLER  
(Option)



WIRED REMOTE  
CONTROLLER  
(Option)

**CITY MULTI**

# 1

## SERVICE PARTS LIST

### 1-1. PANEL AND HEAT EXCHANGER PARTS

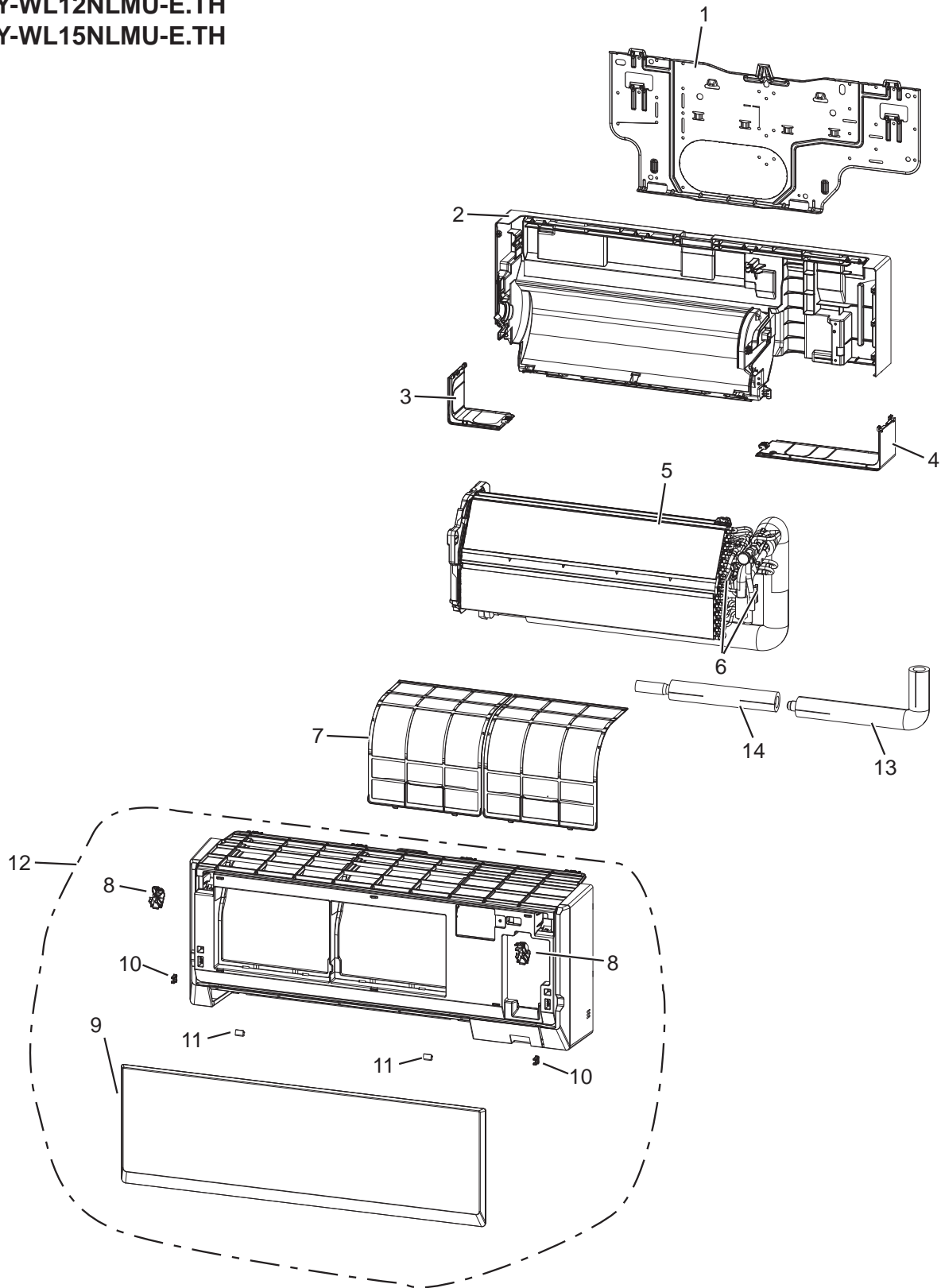
PKFY-WL04NLMU-E.TH

PKFY-WL06NLMU-E.TH

PKFY-WL08NLMU-E.TH

PKFY-WL12NLMU-E.TH

PKFY-WL15NLMU-E.TH

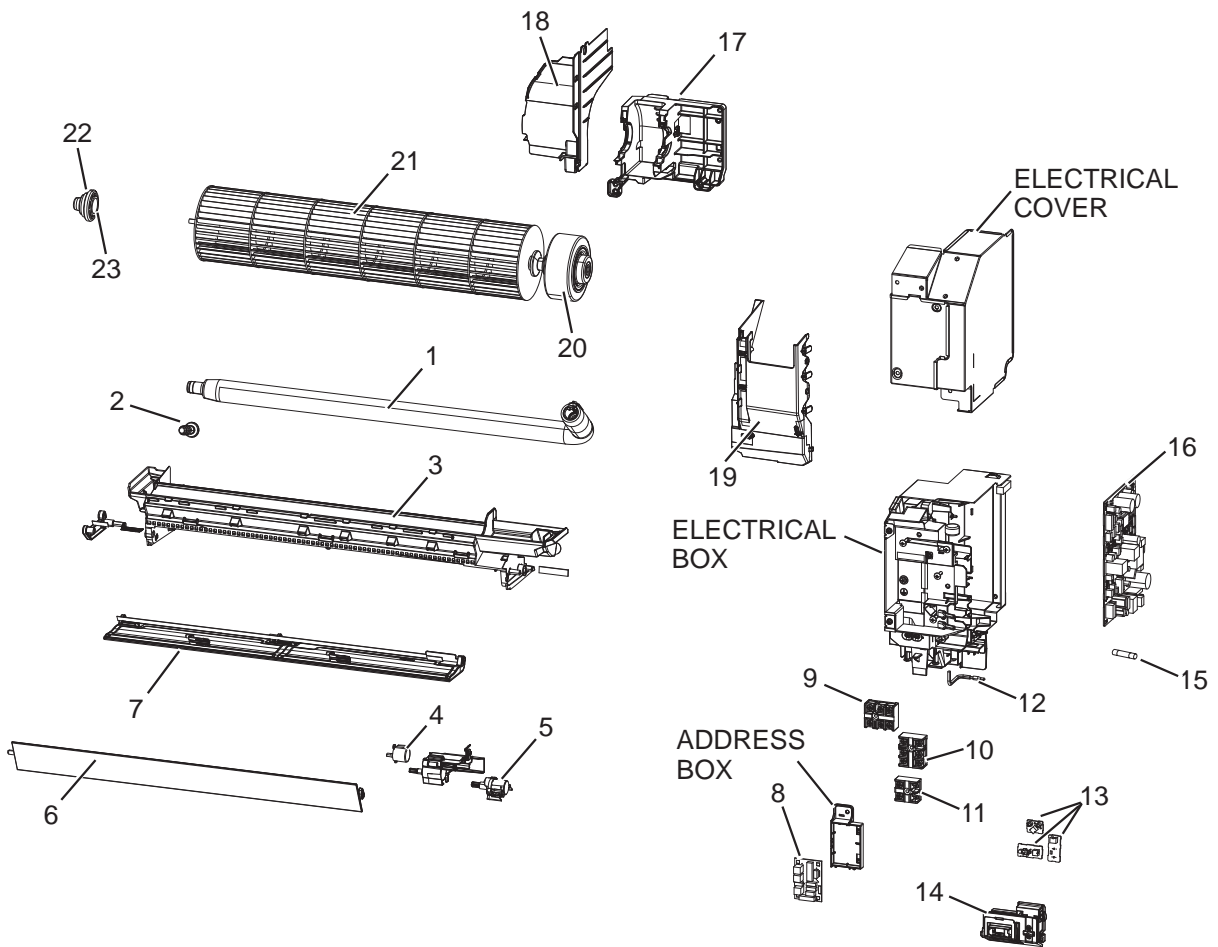


## PANEL AND HEAT EXCHANGER PARTS

No.	Part No.	Part Name	PKFY-WL04NLMU-E.TH	PKFY-WL06NLMU-E.TH	PKFY-WL08NLMU-E.TH	PKFY-WL12NLMU-E.TH	PKFY-WL15NLMU-E.TH	Remarks	Wiring Diagram Symbol
1	E27 P63 970	INSTALLATION PLATE	1	1	1				
	E27 P68 970	INSTALLATION PLATE				1	1		
2	E27 P70 234	BOX ASSEMBLY	1	1	1				
	E27 P94 234	BOX ASSEMBLY				1	1		
3	E27 Y98 976	CORNER BOX L	1	1	1	1	1		
4	E27 Y98 975	CORNER BOX R	1	1	1	1	1		
5	E27 15W 620	INDOOR HEAT EXCHANGER	1					Except L-SHAPED CONNECTION PIPE and STRAIGHT CONNECTION PIPE	
	E27 16W 620	INDOOR HEAT EXCHANGER		1	1				
	E27 18W 620	INDOOR HEAT EXCHANGER				1			
	E27 19W 620	INDOOR HEAT EXCHANGER					1		
6	E27 P89 307	INDOOR COIL THERMISTOR	1			1	1		TH22, TH23
	E27 P92 307	INDOOR COIL THERMISTOR		1	1				
7	E27 65K 100	AIR FILTER	2	2	2				
	E27 58G 100	AIR FILTER				2	2		
8	E27 P63 021	ARM HOLDER SET	1	1	1	1	1	Set (left, right)	
9	E27 P63 010	FRONT PANEL	1	1	1				
	E27 P68 010	FRONT PANEL				1	1		
10	E22 F95 142	CATCH	2	2	2	2	2	2 pcs/set	
11	E22 98B 067	SCREW CAP	2	2	2	2	2	2 pcs/set	
12	E27 P89 000	PANEL ASSEMBLY	1	1	1			Includes 8, 9, 10, 11	
	E27 P93 000	PANEL ASSEMBLY				1	1		
13	E27 18W 668	L-SHAPED CONNECTION PIPE				2	2		
14	E27 19W 668	STRAIGHT CONNECTION PIPE	2	2	2	2	2		
⑮	E27 895 642	AIR PURGE VALVE	1	1	1	1	1		
⑯	E27 A57 660	UNION	2	2	2	2	2	NUT FLARE 5/8	

Parts number that is circled is not shown in the figure.

**1-2. ELECTRICAL PARTS**  
**PKFY-WL04NLMU-E.TH**  
**PKFY-WL06NLMU-E.TH**  
**PKFY-WL08NLMU-E.TH**  
**PKFY-WL12NLMU-E.TH**  
**PKFY-WL15NLMU-E.TH**



## ELECTRICAL PARTS

No.	Part No.	Part Name	PKFY-WL04NLMU-E.TH	PKFY-WL06NLMU-E.TH	PKFY-WL08NLMU-E.TH	PKFY-WL12NLMU-E.TH	PKFY-WL15NLMU-E.TH	Remarks	Wiring Diagram Symbol
1	E22 T20 702	DRAIN HOSE	1	1	1	1	1		
2	E27 42R 705	DRAIN CAP	1	1	1	1	1		
3	E27 76G 235	NOZZLE ASSEMBLY	1	1	1			Full assembly except drain hose	
	E27 77G 235	NOZZLE ASSEMBLY				1	1		
4	E27 103 303	VANE MOTOR (UPPER)	1	1	1	1	1		MV1
5	E22 Y54 303	VANE MOTOR (LOWER)	1	1	1	1	1		MV2
6	E27 76G 040	VANE UPPER	1	1	1				
	E27 77G 040	VANE UPPER				1	1		
7	E27 76G 041	VANE LOWER	1	1	1				
	E27 77G 041	VANE LOWER				1	1		
8	E27 696 456	ADDRESS BOARD	1	1	1	1	1		A.B.
9	E27 Y98 375	TERMINAL BLOCK	1	1	1	1	1	Power supply	TB2
10	E27 519 375	TERMINAL BLOCK	1	1	1	1	1	Transmission	TB5
11	E27 249 375	TERMINAL BLOCK	1	1	1	1	1	MA-Remote controller	TB15
12	E27 P63 308	ROOM TEMP. THERMISTOR	1	1	1	1	1		TH21
13	E27 P63 468	PCB FOR WIRELESS REMOTE CONTROLLER (W.B),SWITCH BOARD (S.B) and LED BOARD (L.B)	1	1	1	1	1	Combined PCB	L.B., W.B., S.B.
14	E27 P63 095	DISPLAY RECEIVER HOLDER	1	1	1	1	1		
15	E27 24W 382	FUSE	1	1	1	1	1	T3.15AL 250V	F1
17	E27 P64 333	MOTOR BED	1	1	1				
	E27 P94 333	MOTOR BED				1	1		
18	E27 P89 333	MOTOR BAND	1	1	1	1	1		
19	E27 P89 541	WATER COVER	1	1	1	1	1		
20	E27 P63 300	INDOOR FAN MOTOR	1	1	1	1	1	Includes rubber mounts	MF
21	E27 P63 302	LINE FLOW FAN	1	1	1				
	E27 P68 302	LINE FLOW FAN				1	1		
22	E22 A89 509	BEARING MOUNT ASSEMBLY	1	1	1	1	1		

**2****OPTIONAL PARTS****2-1. WIRELESS REMOTE CONTROLLER**

Part No.	PAR-SL101A-E
----------	--------------

**2-2. WIRED REMOTE CONTROLLER (MA REMOTE CONTROLLER)**

Part No.	PAR-41MAA
----------	-----------

**2-3. WIRED REMOTE CONTROLLER (SIMPLE MA REMOTE CONTROLLER)**

Part No.	PAC-YT53CRAU
----------	--------------

**2-4. WIRED REMOTE CONTROLLER (SMART ME CONTROLLER)**

Part No.	PAR-U01MEDU
----------	-------------

**2-5. REMOTE ON/OFF ADAPTOR**

Part No.	PAC-SE55RA-E
----------	--------------

**2-6. REMOTE DISPLAY ADAPTOR**

Part No.	PAC-SA88HA-E
----------	--------------

**2-7. REMOTE SENSOR**

Part No.	PAC-SE41TS-E
----------	--------------

**2-8. DRAIN PUMP KIT**

Part No.	PAC-SK01DM-E
----------	--------------

**MITSUBISHI ELECTRIC CORPORATION**

HEAD OFFICE : TOKYO BUILDING, 2-7-3, MARUNOUCHI, CHIYODA-KU, TOKYO 100-8310, JAPAN

MITSUBISHI ELECTRIC CONSUMER PRODUCTS (THAILAND) CO., LTD.  
700/406 MOO 7, TAMBON DON HUA ROH,  
AMPHUR MUANG, CHONBURI 20000 THAILAND  
Published: Jun. 2023 No. TCB122  
Made in Thailand

Specifications are subject to change without notice.