

# PARTS CATALOG

## Series PLFY Ceiling Cassettes

Indoor unit

[Model Name]

[Service Ref.]

PLFY-WL04NFMU-E

**PLFY-WL04NFMU-E.TH**

PLFY-WL06NFMU-E

**PLFY-WL06NFMU-E.TH**

PLFY-WL08NFMU-E

**PLFY-WL08NFMU-E.TH**

PLFY-WL12NFMU-E

**PLFY-WL12NFMU-E.TH**

PLFY-WL15NFMU-E

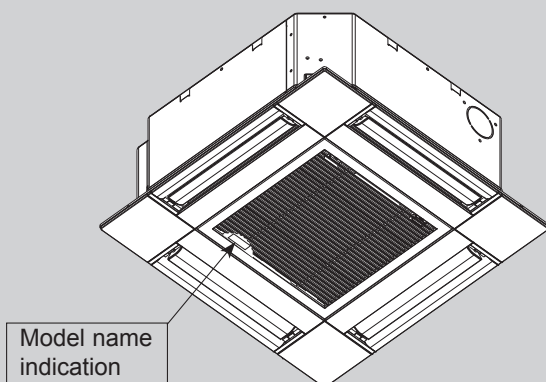
**PLFY-WL15NFMU-E.TH**

Grille model

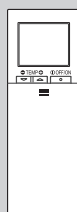
[Model Name]

SLP-18FAU

SLP-18FAEU



INDOOR UNIT



WIRELESS REMOTE  
CONTROLLER  
(Option)



WIRED REMOTE  
CONTROLLER  
(Option)

### CONTENTS

- 1. SERVICE PARTS LIST..... 2
- 2. OPTIONAL PARTS..... 6

**SERVICE MANUAL (TCH123)**

**CITY MULTI**

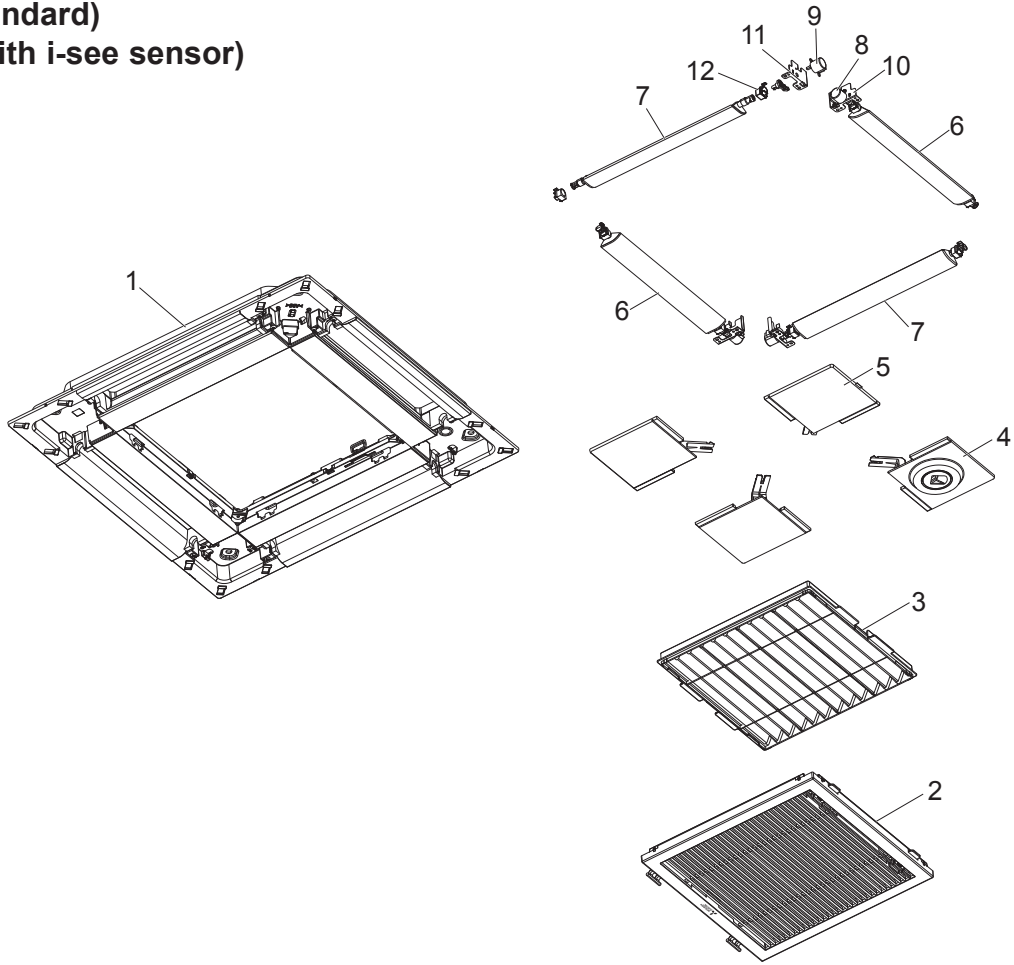
# 1

# SERVICE PARTS LIST

## PANEL PARTS

SLP-18FAU (Standard)

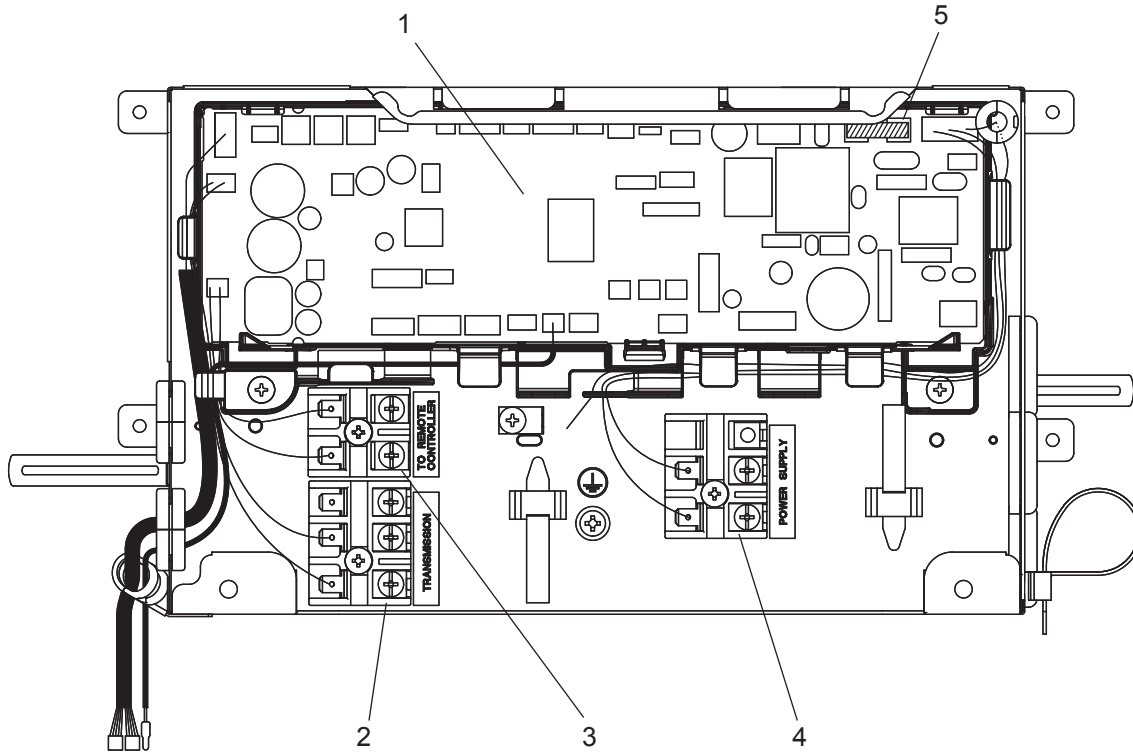
SLP-18FAEU (with i-see sensor)



1. The part quantity below indicates the required number of pieces per unit.  
 2. The circled No. indicates that the part is not shown in the figure.

| No. | Parts No.   | Parts Name                    | Specification         | SLP-18FAU | SLP-18FAEU | Wiring Diagram Symbol |
|-----|-------------|-------------------------------|-----------------------|-----------|------------|-----------------------|
| 1   | E27 C26 003 | AIR OUTLET GRILLE             |                       | 1         | 1          |                       |
| 2   | E27 C26 010 | INTAKE GRILLE                 |                       | 1         | 1          |                       |
| 3   | E27 C26 100 | AIR FILTER                    |                       | 1         | 1          |                       |
| 4   | E27 C28 975 | CORNER PANEL (i-see Sensor)   |                       |           | 1          |                       |
| 5   | E27 C26 975 | CORNER PANEL                  | Includes safety strap | 4         | 3          |                       |
| 6   | E27 C26 037 | AUTO VANE -1                  | GREEN                 | 2         | 2          |                       |
| 7   | E27 C27 037 | AUTO VANE -2                  | BLUE                  | 2         | 2          |                       |
| 8   | E27 C26 303 | VANE MOTOR-1                  | GREEN                 | 2         | 2          |                       |
| 9   | E27 C27 303 | VANE MOTOR-2                  | BLUE                  | 2         | 2          |                       |
| 10  | E27 C26 946 | COUPLING-1                    | GREEN                 | 2         | 2          |                       |
| 11  | E27 C27 946 | COUPLING-2                    | BLUE                  | 2         | 2          |                       |
| 12  | E27 C26 044 | VANE BUSH                     |                       | 8         | 8          |                       |
| ⑬   | E27 C26 033 | WIRE HOOK                     |                       | 2         | 2          |                       |
| ⑭   | E27 C28 087 | JUNCTION CABLE (i-see Sensor) |                       |           | 1          |                       |

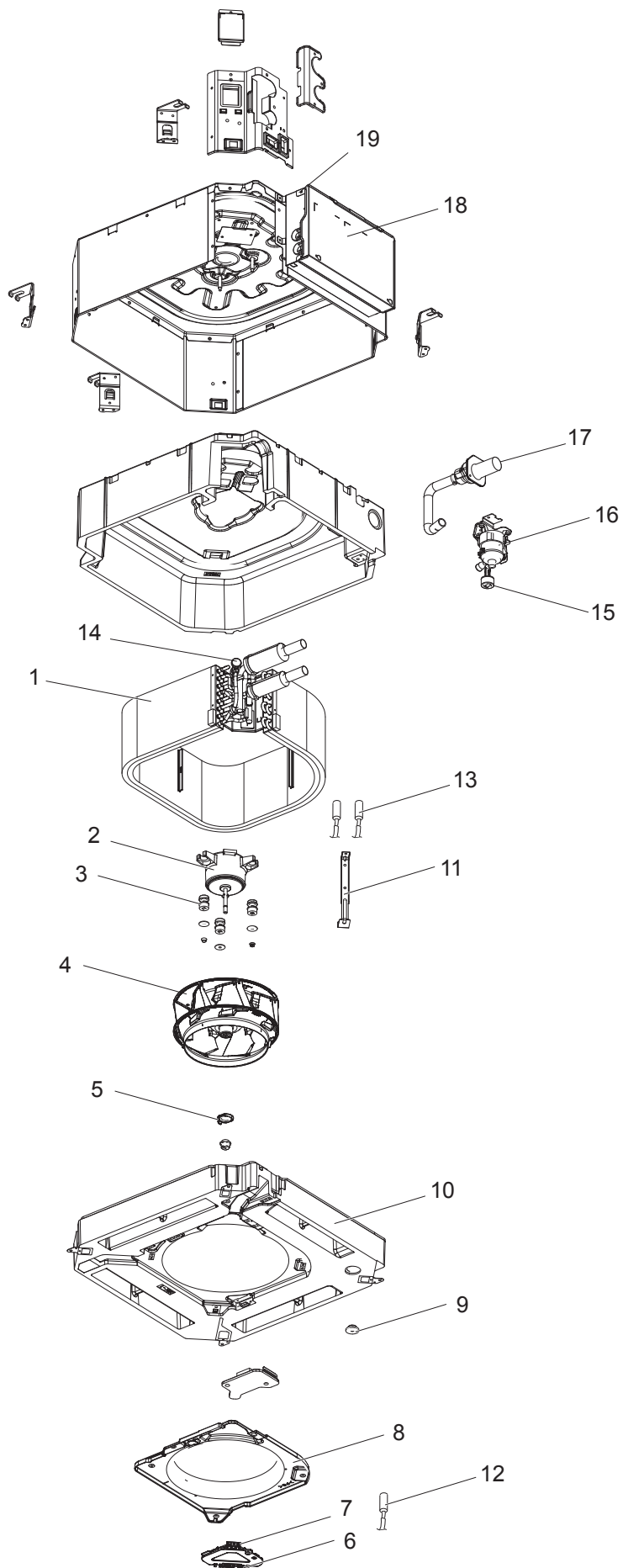
## ELECTRICAL PARTS



1. The part quantity below indicates the required number of pieces per unit.
2. The circled No. indicates that the part is not shown in the figure.

| No. | Parts No.   | Parts Name              | PLFY-WL04NFMU-E.TH | PLFY-WL06NFMU-E.TH | PLFY-WL08NFMU-E.TH | PLFY-WL12NFMU-E.TH | PLFY-WL15NFMU-E.TH | Wiring Diagram Symbol | Remarks      |
|-----|-------------|-------------------------|--------------------|--------------------|--------------------|--------------------|--------------------|-----------------------|--------------|
| 1   | E27 80U 447 | INDOOR CONTROLLER BOARD | 1                  | 1                  | 1                  | 1                  | 1                  | I.B                   |              |
| 2   | E27 154 375 | TERMINAL BLOCK          | 1                  | 1                  | 1                  | 1                  | 1                  | TB5                   |              |
| 3   | E27 156 375 | TERMINAL BLOCK          | 1                  | 1                  | 1                  | 1                  | 1                  | TB15                  |              |
| 4   | E27 K05 375 | TERMINAL BLOCK          | 1                  | 1                  | 1                  | 1                  | 1                  | TB2                   |              |
| 5   | E27 78R 382 | FUSE                    | 1                  | 1                  | 1                  | 1                  | 1                  | F1                    | 6.30 A 250 V |

**FUNCTIONAL PARTS**  
**PLFY-WL04NFMU-E.TH**  
**PLFY-WL06NFMU-E.TH**  
**PLFY-WL08NFMU-E.TH**  
**PLFY-WL12NFMU-E.TH**  
**PLFY-WL15NFMU-E.TH**



1. The part quantity below indicates the required number of pieces per unit.
2. The circled No. indicates that the part is not shown in the figure.

| No. | Parts No.   | Parts Name                       |                    |                    |                    |                    |                    | Wiring Diagram Symbol | Remarks |
|-----|-------------|----------------------------------|--------------------|--------------------|--------------------|--------------------|--------------------|-----------------------|---------|
|     |             |                                  | PLFY-WL04NFMU-E.TH | PLFY-WL06NFMU-E.TH | PLFY-WL08NFMU-E.TH | PLFY-WL12NFMU-E.TH | PLFY-WL15NFMU-E.TH |                       |         |
| 1   | E27 W02 620 | INDOOR HEAT EXCHANGER            | 1                  |                    |                    |                    |                    |                       |         |
| 1   | E27 W04 620 | INDOOR HEAT EXCHANGER            |                    | 1                  | 1                  | 1                  |                    |                       |         |
| 1   | E27 17D 620 | INDOOR HEAT EXCHANGER            |                    |                    |                    |                    | 1                  |                       |         |
| 2   | E27 K05 300 | INDOOR FAN MOTOR                 | 1                  | 1                  | 1                  | 1                  | 1                  | MF                    |         |
| 3   | E27 C12 105 | MOTOR MOUNT                      | 3                  | 3                  | 3                  | 3                  | 3                  | 3 pcs/ set            |         |
| 4   | E27 C12 502 | TURBO FAN                        | 1                  | 1                  | 1                  | 1                  | 1                  |                       |         |
| 5   | E27 K05 097 | FAN WASHER&NUT                   | 1                  | 1                  | 1                  | 1                  | 1                  |                       |         |
| 6   | E27 C12 091 | CONNECTOR COVER                  | 1                  | 1                  | 1                  | 1                  | 1                  |                       |         |
| 7   | E27 C12 090 | CONNECTOR BOX                    | 1                  | 1                  | 1                  | 1                  | 1                  |                       |         |
| 8   | E27 C12 509 | BELL MOUTH                       | 1                  | 1                  | 1                  | 1                  | 1                  |                       |         |
| 9   | E27 436 524 | DRAIN PLUG                       | 1                  | 1                  | 1                  | 1                  | 1                  |                       |         |
| 10  | E27 C12 700 | DRAIN PAN                        | 1                  | 1                  | 1                  | 1                  | 1                  |                       |         |
| 11  | E27 C12 648 | COIL SUPPORT                     | 1                  | 1                  | 1                  | 1                  | 1                  |                       |         |
| 12  | E27 C12 308 | ROOM TEMP.THERMISTOR             | 1                  | 1                  | 1                  | 1                  | 1                  | TH21                  |         |
| 13  | E27 C12 307 | PIPE TEMP. THERMISTOR/LIQUID/GAS | 1                  | 1                  | 1                  | 1                  | 1                  | TH22,TH23             |         |
| 14  | E27 895 642 | AIR PURGE VALVE                  | 1                  | 1                  | 1                  | 1                  | 1                  |                       |         |
| 15  | E27 C12 145 | FLOAT SWITCH                     | 1                  | 1                  | 1                  | 1                  | 1                  | FS                    |         |
| 16  | E27 81T 355 | DRAIN PUMP                       | 1                  | 1                  | 1                  | 1                  | 1                  | DP                    |         |
| 17  | E27 C12 702 | DRAIN HOSE                       | 1                  | 1                  | 1                  | 1                  | 1                  |                       |         |
| 18  | E27 K05 088 | CONTROL BOX COVER                | 1                  | 1                  | 1                  | 1                  | 1                  |                       |         |
| 19  | E27 80U 777 | CONTROL BOX                      | 1                  | 1                  | 1                  | 1                  | 1                  |                       |         |
| 20  | E27 W02 204 | CONVERSION PIPE 22-15            | 2                  | 2                  | 2                  | 2                  | 2                  |                       |         |
| 21  | E27 M08 097 | WASHER                           | 4                  | 4                  | 4                  | 4                  | 4                  |                       |         |
| 22  | E27 580 704 | DRAIN SOCKET                     | 1                  | 1                  | 1                  | 1                  | 1                  |                       |         |
| 23  | E27 81T 289 | BOARD CASE                       | 1                  | 1                  | 1                  | 1                  | 1                  |                       |         |

**2****OPTIONAL PARTS**

| <b>Parts name</b>              | <b>Parts No.</b>                     |
|--------------------------------|--------------------------------------|
| 3D i-see sensor corner panel   | PAC-SF1ME-E                          |
| Signal receiver corner panel   | PAC-SF9FA-E                          |
| Wired remote controller        | PAR-41MAA, PAC-YT53CRAU, PAR-U01MEDU |
| wireless remote controller     | PAR-SL101A-E                         |
| Remote sensor                  | PAC-SE41TS-E                         |
| Remote On/Off Adapter          | PAC-SE55RA-E                         |
| Grille (Decoration panel)      | SLP-18FAU                            |
| Grille (3D i-see Sensor panel) | SLP-18FAEU                           |



# CITY MULTI

## **mitsubishi electric corporation**

HEAD OFFICE : TOKYO BUILDING, 2-7-3, MARUNOUCHI, CHIYODA-KU TOKYO 100-8310, JAPAN

---

MITSUBISHI ELECTRIC CONSUMER PRODUCTS (THAILAND) CO., LTD.  
700/406 MOO 7, TAMBON DON HUA ROH,  
AMPHUR MUANG, CHONBURI 20000 THAILAND  
Published: Jun. 2023 No. TCB123  
Made in Thailand

Specifications are subject to change without notice.