

SERVICE PARTS LIST FOR MITSUBISHI ELECTRIC PACKAGED AIR-CONDITIONERS

Series : PQHY-P·TGMU-A

For use with the R410A

REVISED

June. 2007

BWE0528A

INDEX

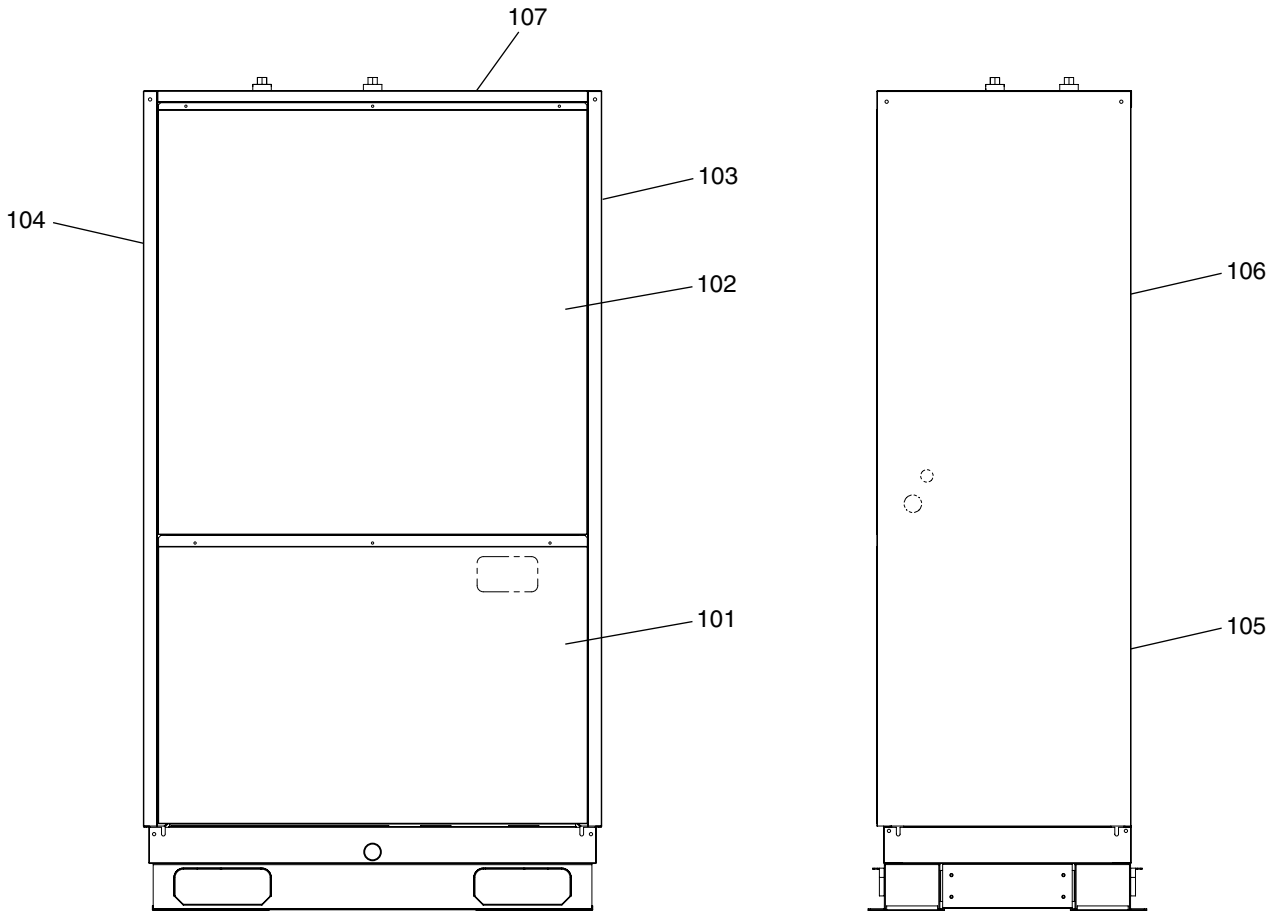
P Q H Y - P 7 2 T G M U - A

P Q H Y - P 9 6 T G M U - A

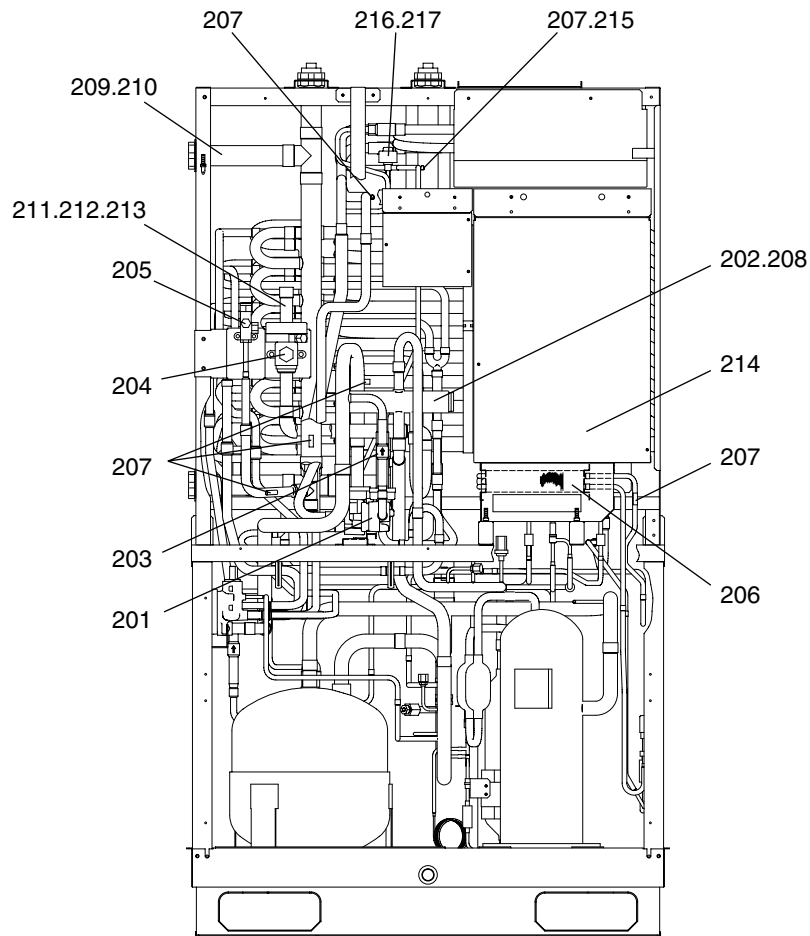


PQHY-P72TGMU-A
 PQHY-P96TGMU-A

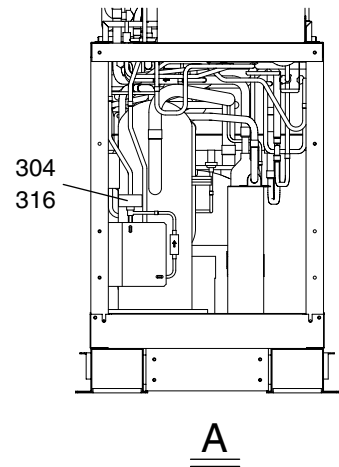
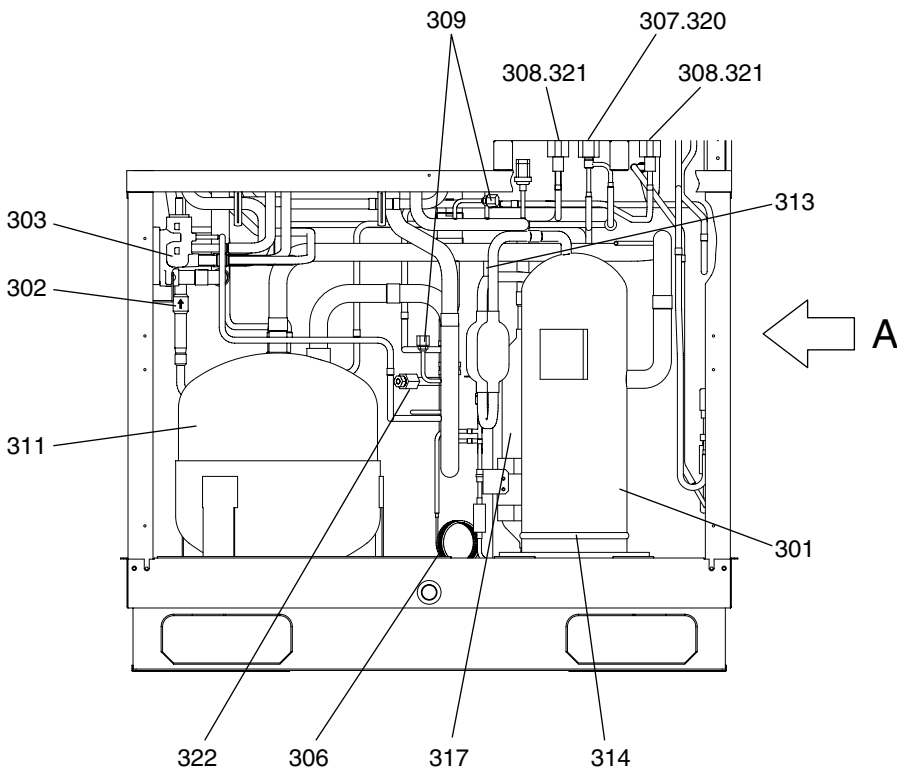
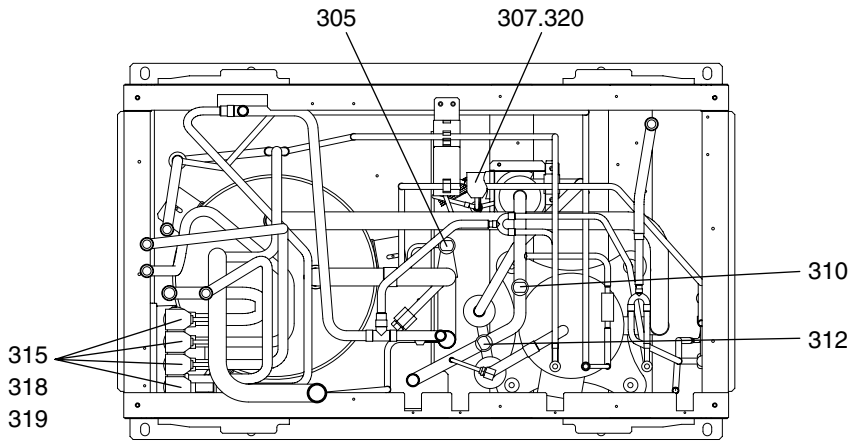
EXTERNAL PARTS



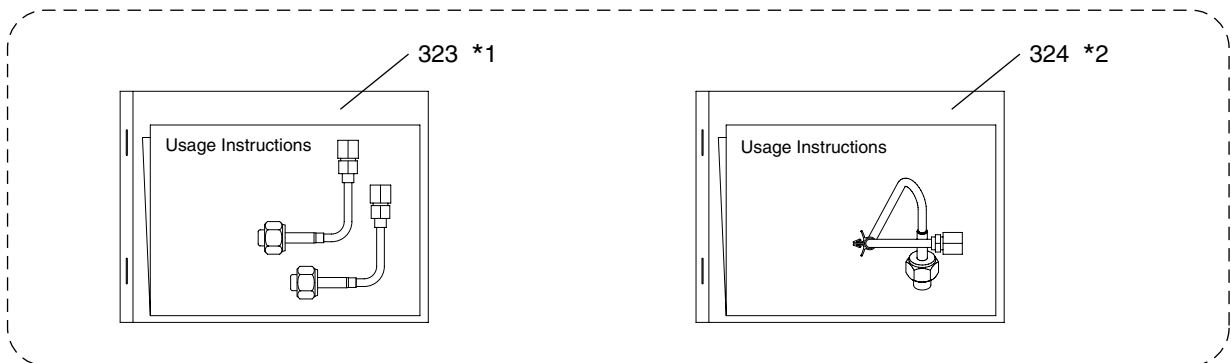
No.	Part No.	G : RoHS Apply Only W : RoHS Apply by Running Change		Spec.	-P72TGMU-A	-P96TGMU-A		Dwg. No.	Price	Revision History
			Part Name							
101	R63 4F3 651	G	Front panel 1 assy		1	1		W660979G01		A
102	R63 4F3 652	G	Front panel 2 assy		1	1		W660980G03		A
103	R63 4F3 661	G	Side panel R assy		1	1		W660977G02		A
104	R63 4F3 662	G	Side panel L assy		1	1		W660978G02		A
105	R63 4F3 678	G	Rear panel 1 assy		1	1		W660981G01		A
106	R63 4F3 676	G	Rear panel 2 assy		1	1		W660982G02		A
107	R63 4F3 642	G	Top panel		1	1		W659887H01		A



No.	Part No.	G : RoHS Apply Only W : RoHS Apply by Running Change		Spec.	-P72TGMU-A	-P96TGMU-A	Dwg. No.	Price	Revision History
			Part Name						
201	R63 9F5 418	G	Check valve assy		1	1	W278607G01		A
202	R63 Y05 154	G	Four way valve	STF-07	1	1	P633119X01		A
203	R63 R43 418	G	Check valve		1	1	P639165X01		A
204	R63 R40 410	G	Ball valve		1	1	P636309X02		A
205	R63 R37 410	G	Ball valve		1	1	P636305X01		A
206	R63 4F3 480	G	Heat exchanger		1	1	W278600G02		A
207	R63 670 202	G	Thermistor	NTH3A14 <TH5~9,INV>	6	6	P425496X01		A
208	R61 Y21 243	W	Four way valve coil	<21S4a>	1	1	P472028X01		
209	R63 0G9 480	G	Heat exchanger assy		1		W278616G05		A
210	R63 1G0 480	G	Heat exchanger assy			1	W278616G06		A
211	R63 0G9 441	G	Pipe assy		1		W663334G01		A
212	R63 9F2 441	G	Pipe assy			1	W663334G02		A
213	R61 F14 514	G	Packing		1	1	P321009X01		
214	R61 Y53 305	W	Control box	W-P72-96	1	1	W278122G04		
215	R63 G03 287	G	Sensor cover	EVA(9.52D)	1	1	P227223X01		A
216	R63 R34 401	G	Linear expansion valve	CAM35	1	1	P632416X01		
217	R63 R34 243	G	Solenoid valve coil	<LEV1>	1	1	P472008X02		A



ACCESSORY (ADAPTER)



*1. This product is an adapter that allows the use of tools designed for use with 1/4"-diameter materials with the low-pressure pipes and 5/16"-diameter charge plugs on the 2 ball valves on the unit body.

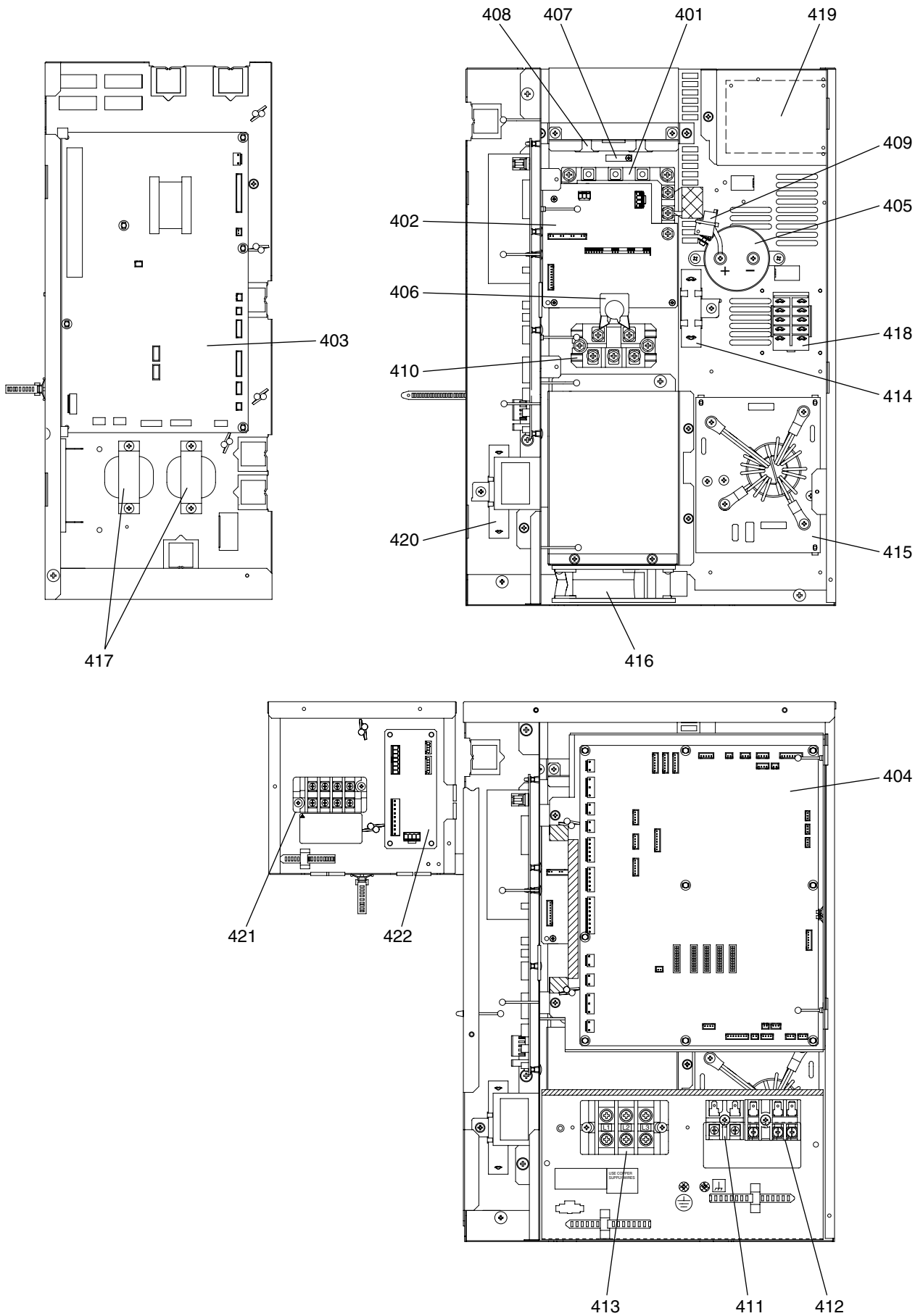
*2. This product is an adapter that allows the use of tools designed for use with 1/4"-diameter materials with the 5/16"-diameter check joint of the unit body on high-pressure side.

FUNCTIONAL PARTS (2)

No.	Part No.	G : RoHS Apply Only W : RoHS Apply by Running Change		Part Name	Spec.	-P72TGMU-A	-P96TGMU-A		Dwg. No.	Price	Revision History
301	R69 A39 478	W		Scroll compressor	HNB71FA-BU <MC>	1	1		EP10092G11		
302	R63 R43 418	G		Check valve		1	1		P639165X01		A
303	R63 6A7 232	G		Solenoid valve assy		1	1		W654369G02		A
304	R63 R34 401	G		Linear expansion valve	CAM35	1	1		P632416X01		
305	R63 R37 288	G		Pressure sensor	<63LS>	1	1		P418014X01		A
306	R63 R34 425	G		Capillary tube assy		1	1		W905625G02		A
307	R61 021 232			Solenoid valve	<SV1,SV7c>	2	2		KB00H253G01		A
308	R63 4F3 232	G		Solenoid valve	<SV7a,SV7b>	2	2		P631290X01		
309	R63 R34 413	G		Check joint		2	2		P666001X01		A
310	R63 R34 288	G		Pressure sensor	<63HS>	1	1		P418015X01		A
311	R63 Y53 484	G		Accumulator assy		1	1		W274166G09		A
312	R63 Y11 208	G		Pressure switch	<63H>	1	1		P426320X01		A
313	R63 911 202	G		Thermistor	<TH11>	1	1		P425416X02		A
314	R61 Y10 236	W		Crank case heater 20	<CH1>	1	1		P497020X01		
315	R61 6A7 243	W		Solenoid valve coil	<SV4a~4d>	4	4		P472010X01		
316	R63 4F3 401	G		Solenoid valve coil	<LEV2>	1	1		P472026X02		A
317	R63 4F3 487	G		Oil separator assy		1	1		W661800G03		A
318	R63 6A7 235	G		Solenoid valve ACS		4	4		P631285X01		
319	R63 6A7 245	G		SV socket wrench		1	1		W909209G01		A
320	R61 008 243			Solenoid valve coil	<SV1,SV7c>	2	2		W875295G10		A
321	R61 6A7 243	W		Solenoid valve coil	<SV7a,SV7b>	2	2		P472010X01		
322	R11 707 890	W		Fusable plug		1	1		P649019X01		
323	R61 Y04 490	W		Accessory (ADAPTER)		1	1		W915733G01		
324	R61 Y02 619	W		Accessory (ADAPTER)		1	1		W917186G01		

PQHY-P72TGMU-A
PQHY-P96TGMU-A

CONTROL BOX PARTS



No.	Part No.	G : RoHS Apply Only W : RoHS Apply by Running Change		Spec.	-P72TGMU-A	-P96TGMU-A			Dwg. No.	Price	Revision History
			Part Name								
401	R61 R34 249	W	IPM (Power module)		1	1			W848413G18		
402	R61 N96 282	G	G/A board		1	1			W652112G01		
403	R61 S84 280	G	INV board		1	1			W647875G03		
404	R61 034 280		Main board		1	1			W663800G21		A
405	R63 R34 252	G	Capacitor	<C1>	1	1			P412293X01		A
406	R61 Y28 252	W	Capacitor assy	<ZNR4+C5>	1	1			W849452G03		
407	R63 F14 201	G	Thermistor	<THHS1>	1	1			P414095X01		
408	R63 N79 289	G	AC current sensor	<ACCT>	1	1			P418002X01		A
409	R63 A42 289	G	DC current sensor	<DCCT>	1	1			P419079X02		A
410	R61 L73 320	W	Diode	<DS>	1	1			W876941G01		
411	R61 008 246	G	Terminal block	<TB3>	1	1			BA73S950H02		A
412	R63 979 247	G	Terminal block	<TB7>	1	1			P436110X01		
413	R61 N18 246	W	Terminal block	<TB1>	1	1			S436005H01		
414	R63 670 234	G	Resistor	<R1>	1	1			P411113X01		A
415	R11 970 962	W	Noise filter	<NF>	1	1			P417014X01		
416	R63 Y02 300	G	Fan	<MF1>	1	1			P712360X01		A
417	R63 002 923	G	Choke coil	<L1,L2>	2	2			P715421X01		A
418	R61 R34 215	W	Relay	<52C>	1	1			S421003H22		
419	R61 R34 259	W	Reactor	<DCL>	1	1			P715371X01		
420	R63 A42 234	G	Resistor	<R2>	1	1			W237975K23		A
421	R61 Y09 715	W	Terminal block	<TB8>	1	1			S436005H08		
422	R63 Y55 280	G	Relay board		1	1			W629574G01		A

