

# SERVICE PARTS LIST FOR MITSUBISHI ELECTRIC PACKAGED AIR-CONDITIONERS

Series : PQHY-P•ZLMU-A1

REVISED

Sept. 2019

BWE01707A

## INDEX

PQHY-P72ZLMU-A1

PQHY-P96ZLMU-A1

PQHY-P120ZLMU-A1

PQHY-P144ZLMU-A1

PQHY-P168ZLMU-A1

PQHY-P192ZLMU-A1

## The Package name list

PQHY-P144ZSLMU-A1	[PQHY-P72ZLMU-A1 + PQHY-P72ZLMU-A1]
PQHY-P168ZSLMU-A1	[PQHY-P72ZLMU-A1 + PQHY-P96ZLMU-A1]
PQHY-P192ZSLMU-A1	[PQHY-P96ZLMU-A1 + PQHY-P96ZLMU-A1]
PQHY-P216ZSLMU-A1	[PQHY-P96ZLMU-A1 + PQHY-P120ZLMU-A1]
PQHY-P240ZSLMU-A1	[PQHY-P120ZLMU-A1 + PQHY-P120ZLMU-A1]
PQHY-P288ZSLMU-A1	[PQHY-P144ZLMU-A1 + PQHY-P144ZLMU-A1]
PQHY-P312ZSLMU-A1	[PQHY-P144ZLMU-A1 + PQHY-P168ZLMU-A1]
PQHY-P336ZSLMU-A1	[PQHY-P168ZLMU-A1 + PQHY-P168ZLMU-A1]
PQHY-P360ZSLMU-A1	[PQHY-P168ZLMU-A1 + PQHY-P192ZLMU-A1]

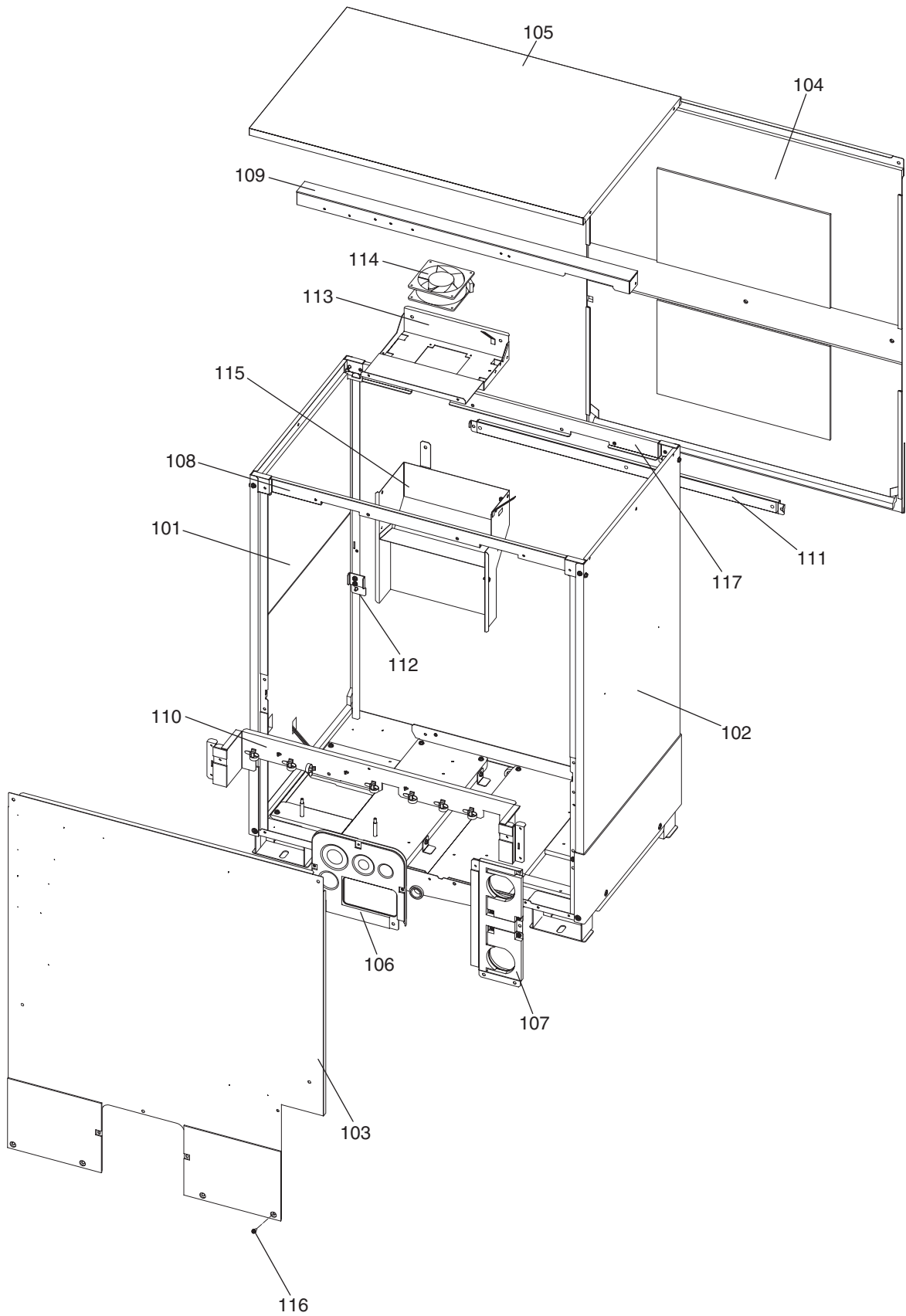
Part information update day : 2019/09/02



Please change the old catalog (issued Apr. 2017, No.BWE017070) to this new catalog.  
Content of revision : Some of parts are changed.

PQHY-P72ZLMU-A1  
PQHY-P96ZLMU-A1  
PQHY-P120ZLMU-A1

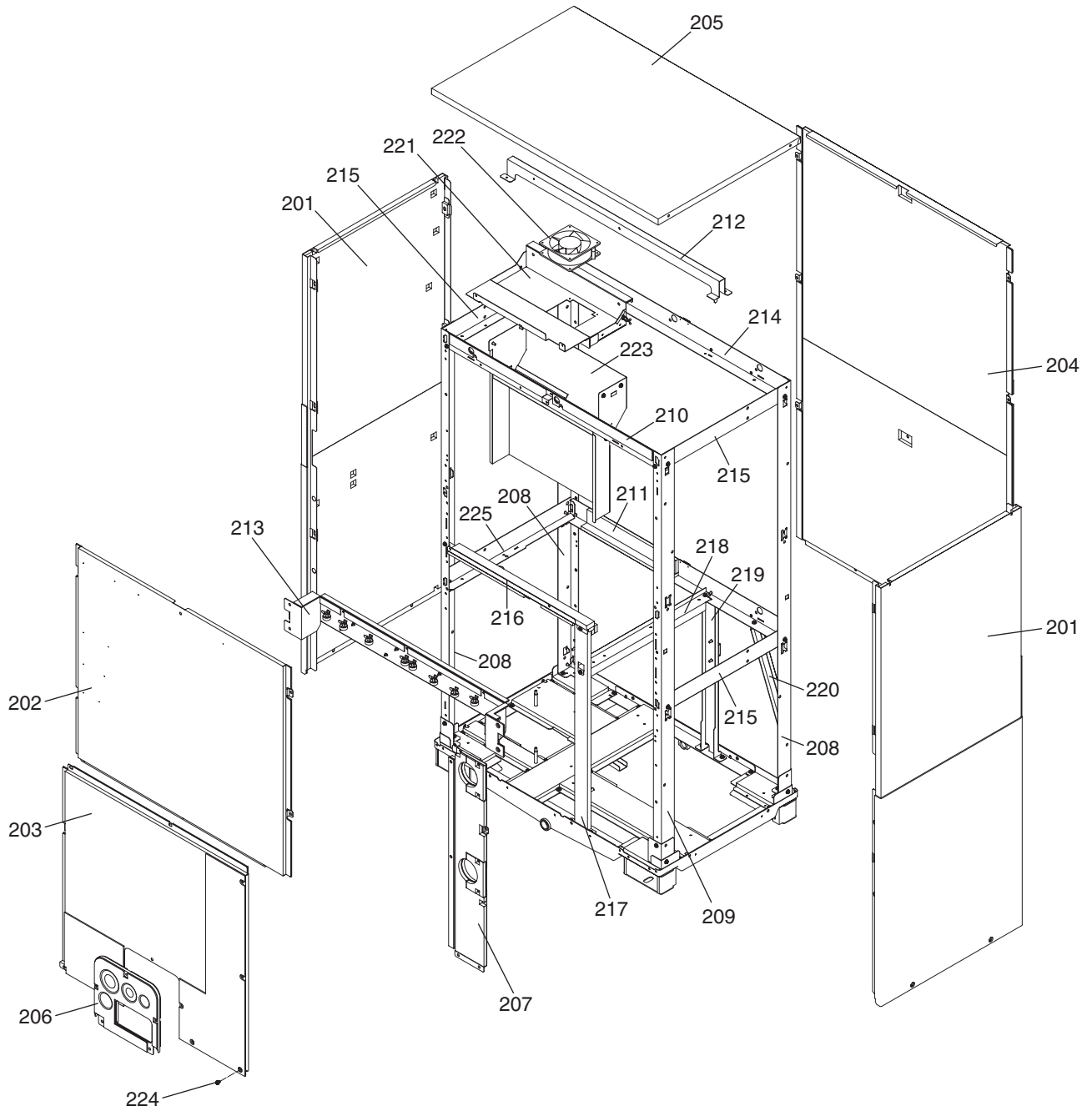
## EXTERNAL PARTS (1)





PQHY-P144ZLMU-A1  
PQHY-P168ZLMU-A1  
PQHY-P192ZLMU-A1

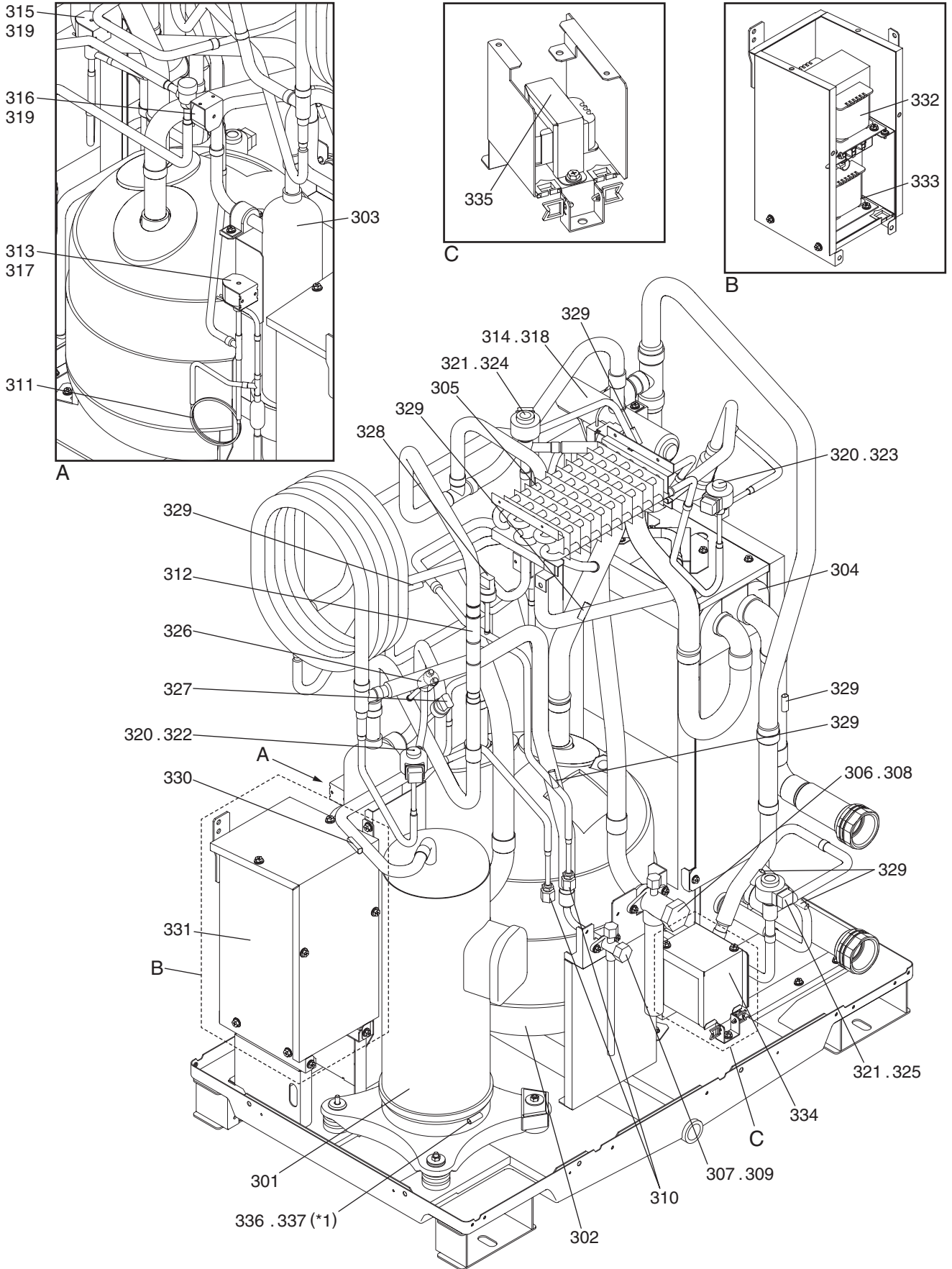
## EXTERNAL PARTS (2)





PQHY-P72ZLMU-A1  
 PQHY-P96ZLMU-A1  
 PQHY-P120ZLMU-A1

### FUNCTIONAL PARTS (1)

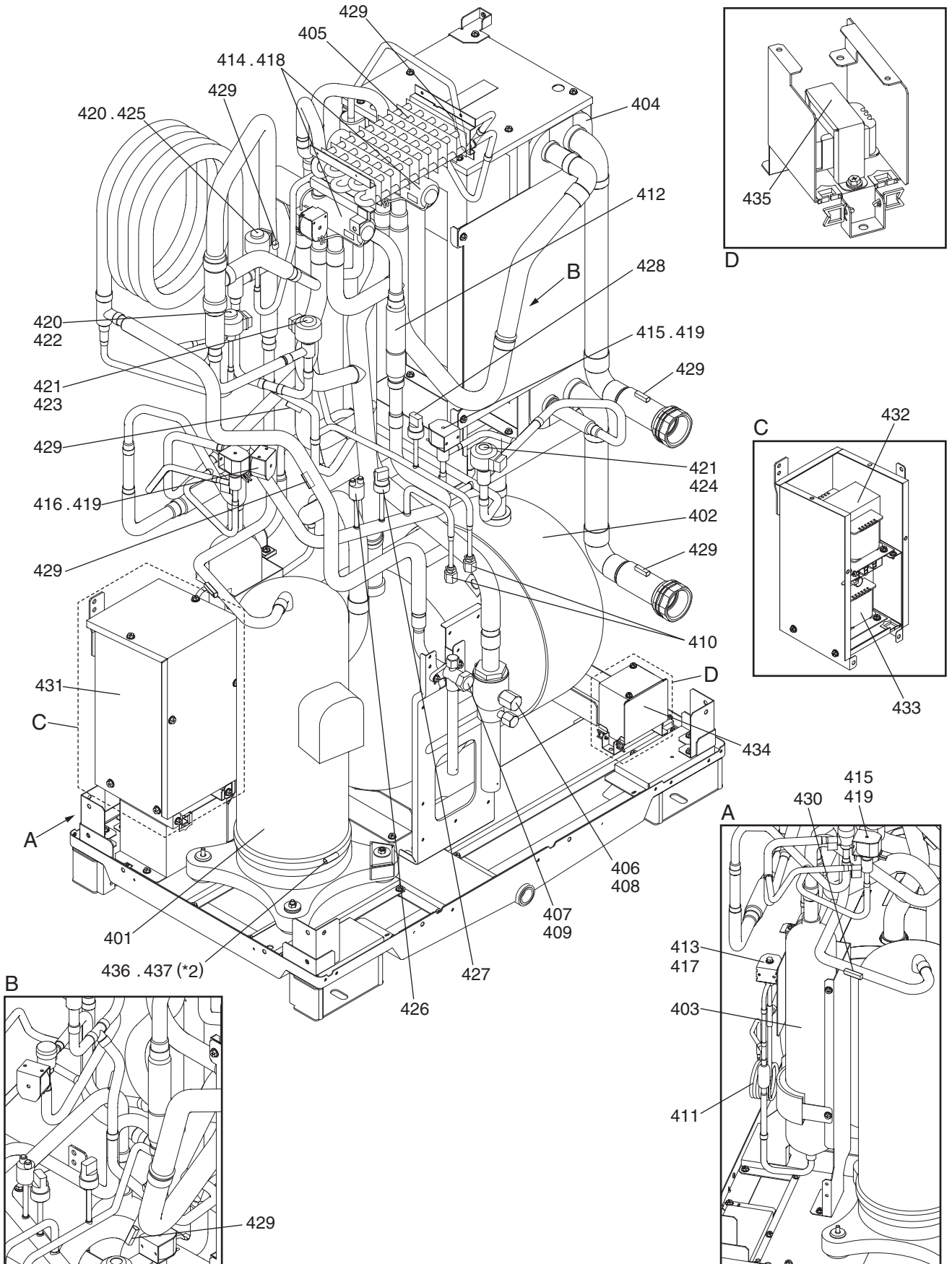


\*1 If the label "Equipped with liquid level detection" is not attached on the front panel, order the "Sensor kit S" (part number 337).  
 If it is attached, order the "Thermistor" (part number 336).



PQHY-P144ZLMU-A1  
 PQHY-P168ZLMU-A1  
 PQHY-P192ZLMU-A1

## FUNCTIONAL PARTS (2)



\*2 If the label "Equipped with liquid level detection" is not attached on the front panel, order the "Sensor kit L" (part number 437).  
 If it is attached, order the "Thermistor" (part number 436).





