

SERVICE PARTS LIST FOR MITSUBISHI ELECTRIC PACKAGED AIR-CONDITIONERS

Series : PQHY-P•TLMU-A1
PQHY-P•YLMU-A1

Apr. 2017
BWE017050

INDEX
PQHY-P72TLMU-A1
PQHY-P96TLMU-A1
PQHY-P120TLMU-A1
PQHY-P144TLMU-A1
PQHY-P168TLMU-A1
PQHY-P192TLMU-A1
PQHY-P216TLMU-A1
PQHY-P240TLMU-A1
PQHY-P72YLMU-A1
PQHY-P96YLMU-A1
PQHY-P120YLMU-A1
PQHY-P144YLMU-A1
PQHY-P168YLMU-A1
PQHY-P192YLMU-A1
PQHY-P216YLMU-A1
PQHY-P240YLMU-A1

The Package name list

PQHY-P144TSLMU-A1 [PQHY-P72TLMU-A1 + PQHY-P72TLMU-A1]

PQHY-P168TSLMU-A1 [PQHY-P72TLMU-A1 + PQHY-P96TLMU-A1]

PQHY-P192TSLMU-A1 [PQHY-P96TLMU-A1 + PQHY-P96TLMU-A1]

PQHY-P216TSLMU-A1 [PQHY-P96TLMU-A1 + PQHY-P120TLMU-A1]

PQHY-P240TSLMU-A1 [PQHY-P120TLMU-A1 + PQHY-P120TLMU-A1]

PQHY-P288TSLMU-A1 [PQHY-P144TLMU-A1 + PQHY-P144TLMU-A1]

PQHY-P312TSLMU-A1 [PQHY-P144TLMU-A1 + PQHY-P168TLMU-A1]

PQHY-P336TSLMU-A1 [PQHY-P168TLMU-A1 + PQHY-P168TLMU-A1]

PQHY-P360TSLMU-A1 [PQHY-P168TLMU-A1 + PQHY-P192TLMU-A1]

PQHY-P144YSLMU-A1 [PQHY-P72YLMU-A1 + PQHY-P72YLMU-A1]

PQHY-P168YSLMU-A1 [PQHY-P72YLMU-A1 + PQHY-P96YLMU-A1]

PQHY-P192YSLMU-A1 [PQHY-P96YLMU-A1 + PQHY-P96YLMU-A1]

PQHY-P216YSLMU-A1 [PQHY-P96YLMU-A1 + PQHY-P120YLMU-A1]

PQHY-P240YSLMU-A1 [PQHY-P120YLMU-A1 + PQHY-P120YLMU-A1]

PQHY-P288YSLMU-A1 [PQHY-P144YLMU-A1 + PQHY-P144YLMU-A1]

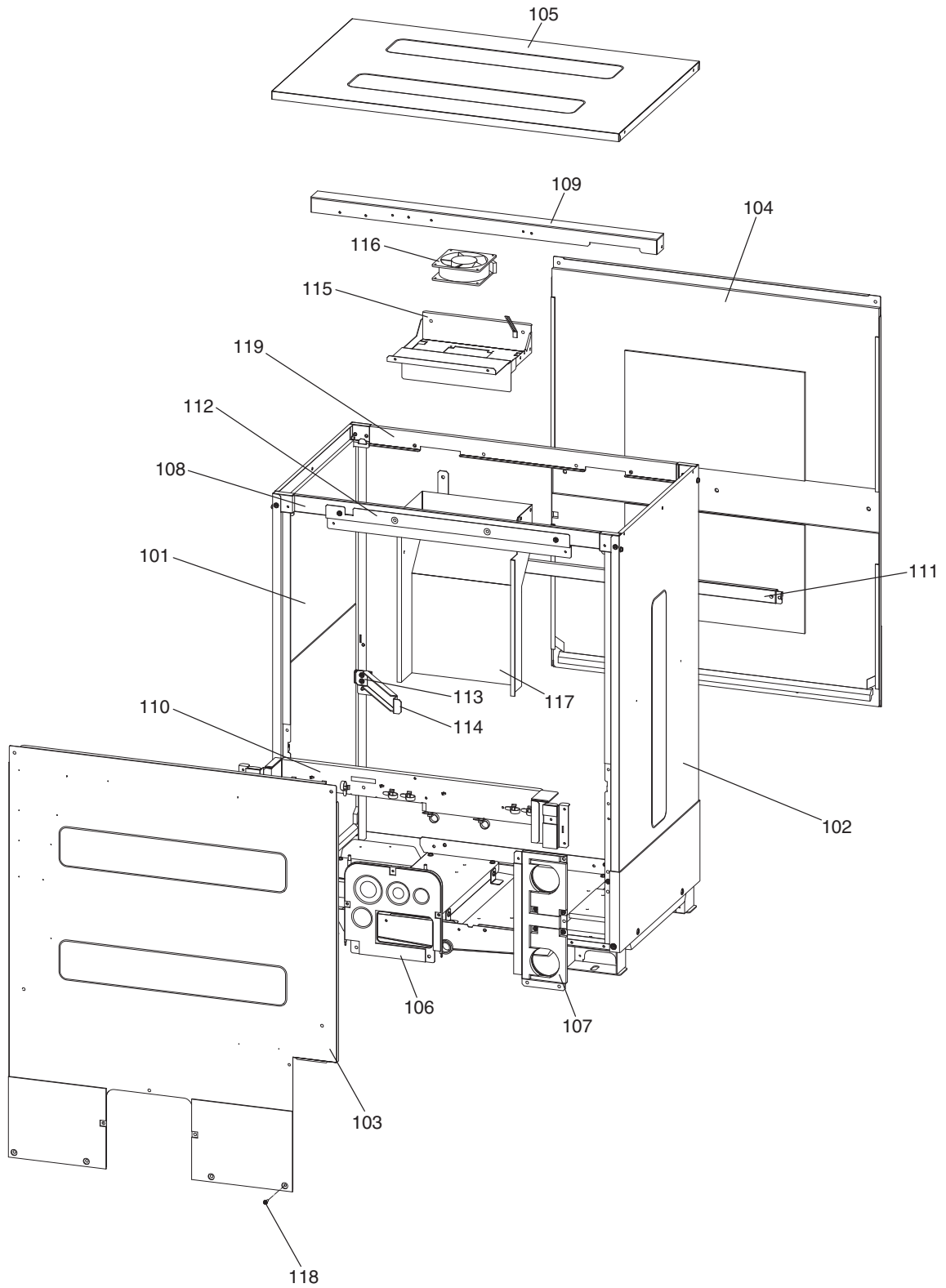
PQHY-P312YSLMU-A1 [PQHY-P144YLMU-A1 + PQHY-P168YLMU-A1]

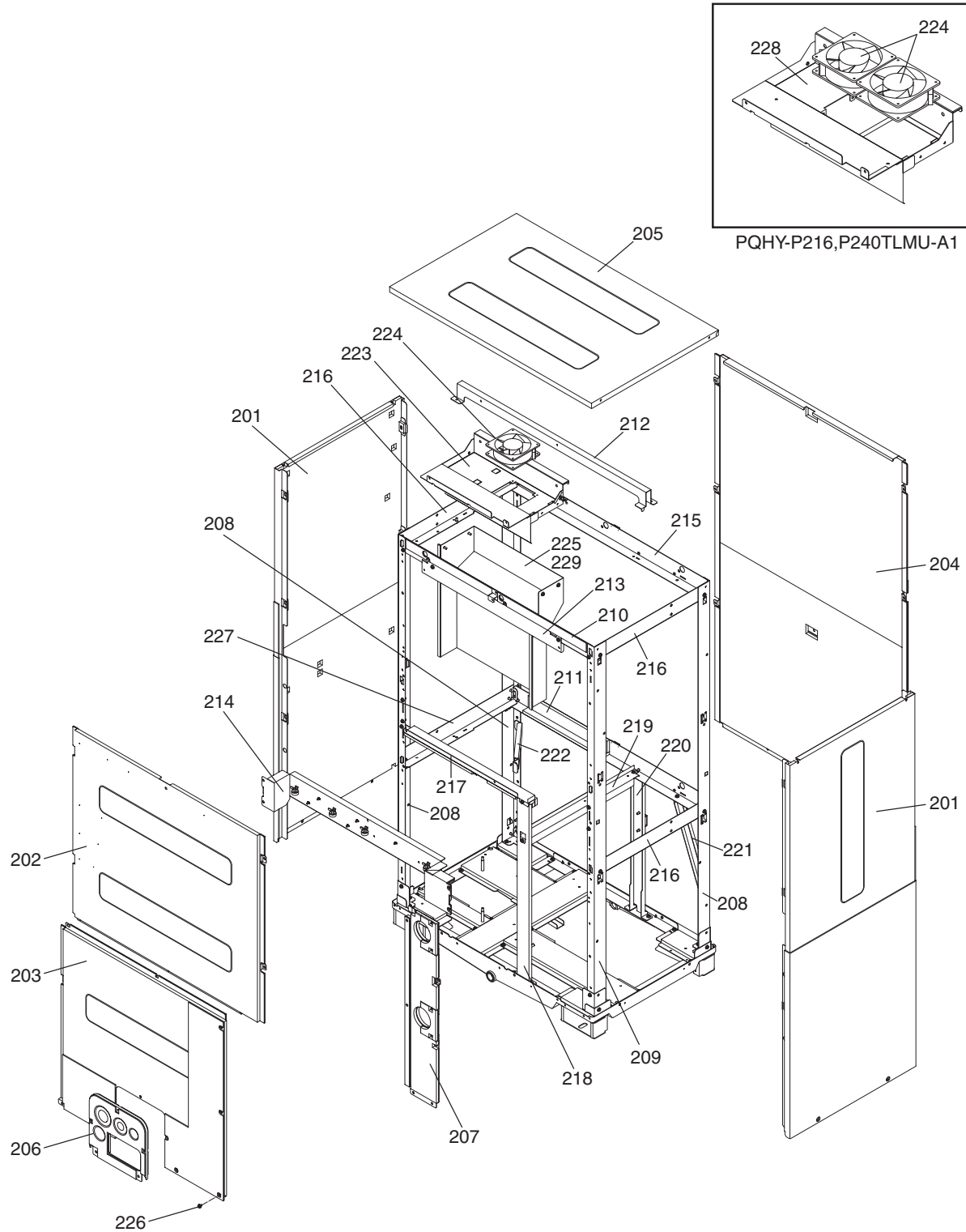
PQHY-P336YSLMU-A1 [PQHY-P168YLMU-A1 + PQHY-P168YLMU-A1]

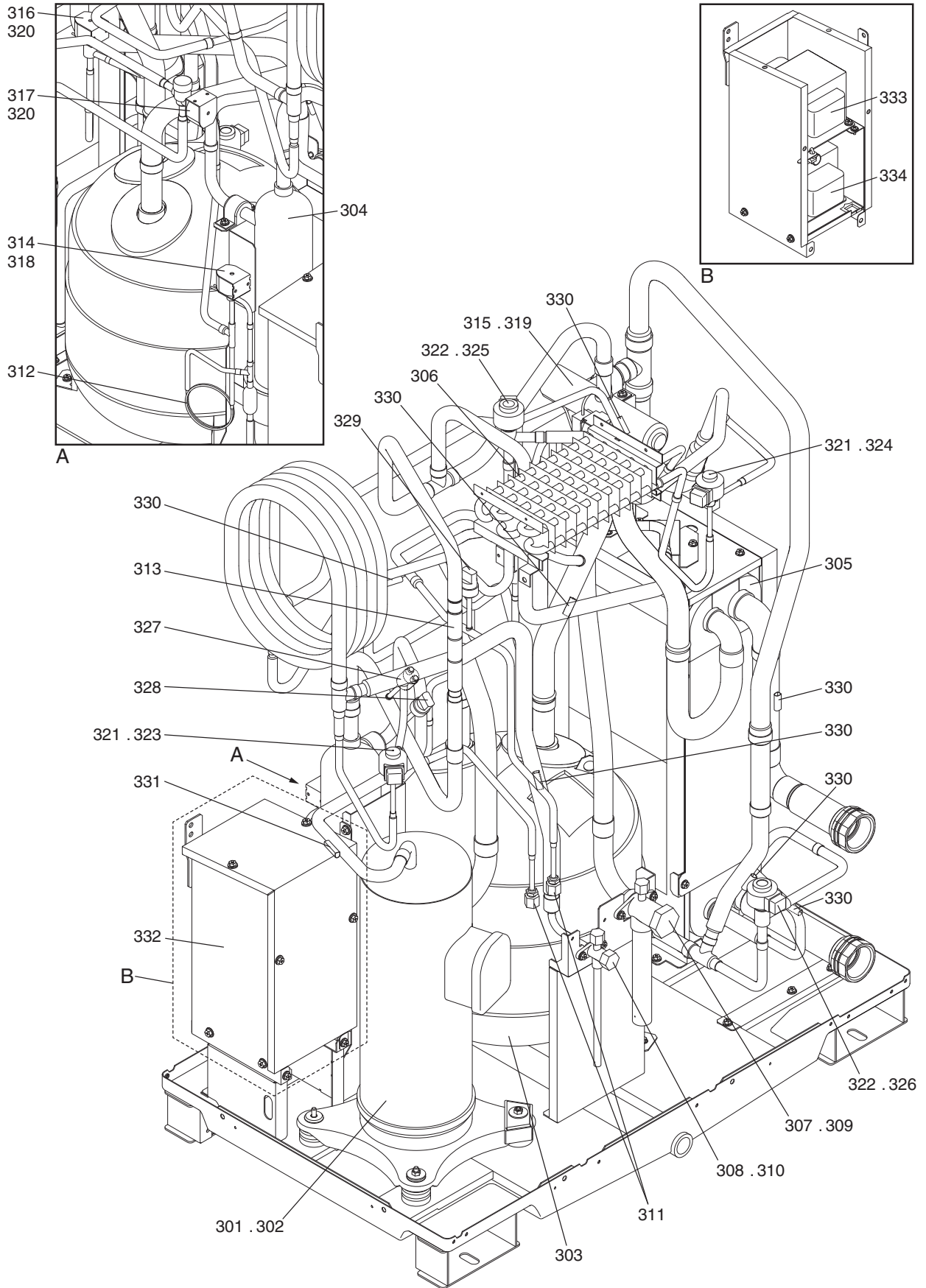
PQHY-P360YSLMU-A1 [PQHY-P168YLMU-A1 + PQHY-P192YLMU-A1]

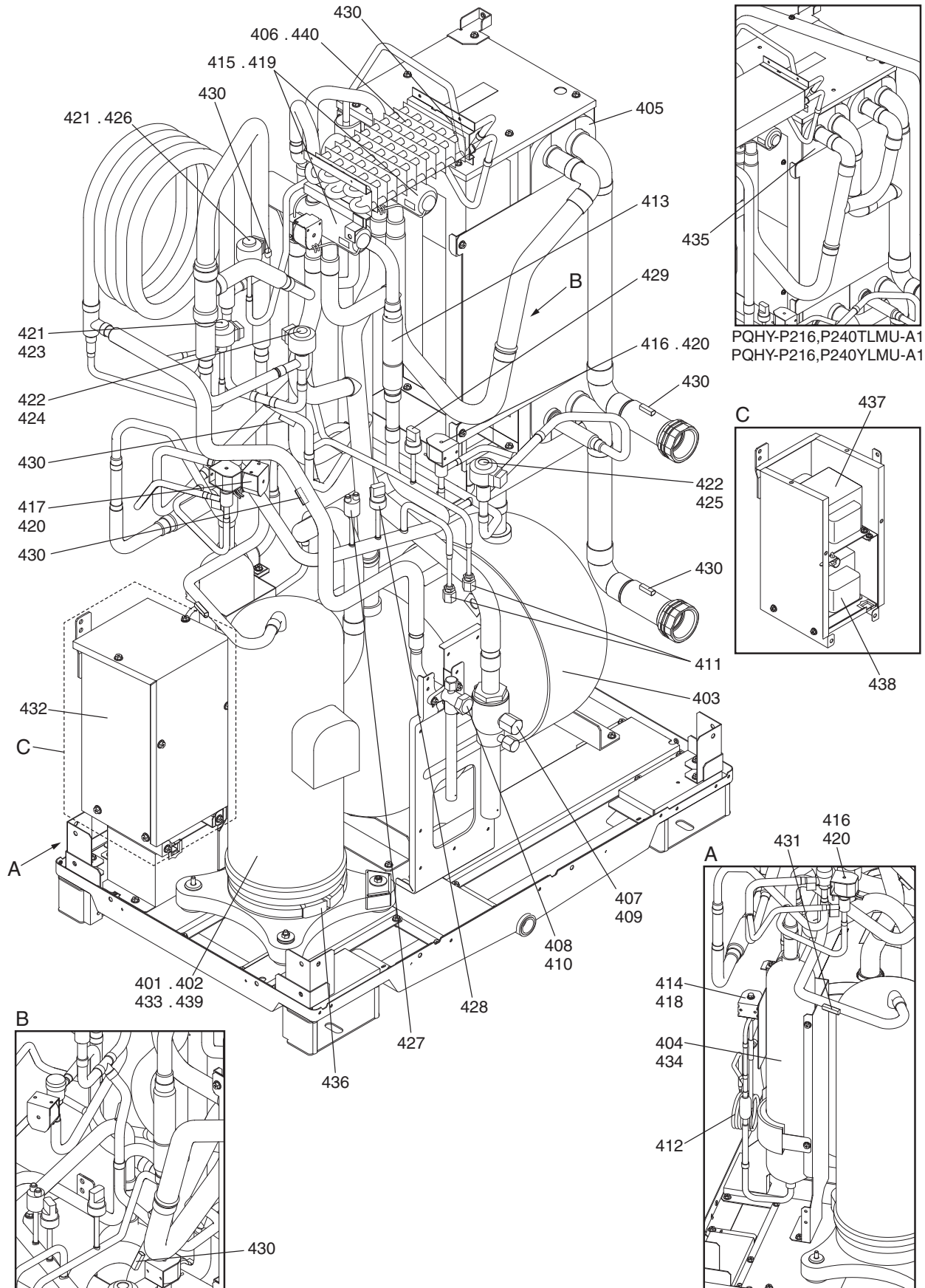
PQHY-P72,P96,P120TLMU-A1
PQHY-P72,P96,P120YLMU-A1

EXTERNAL PARTS (1)







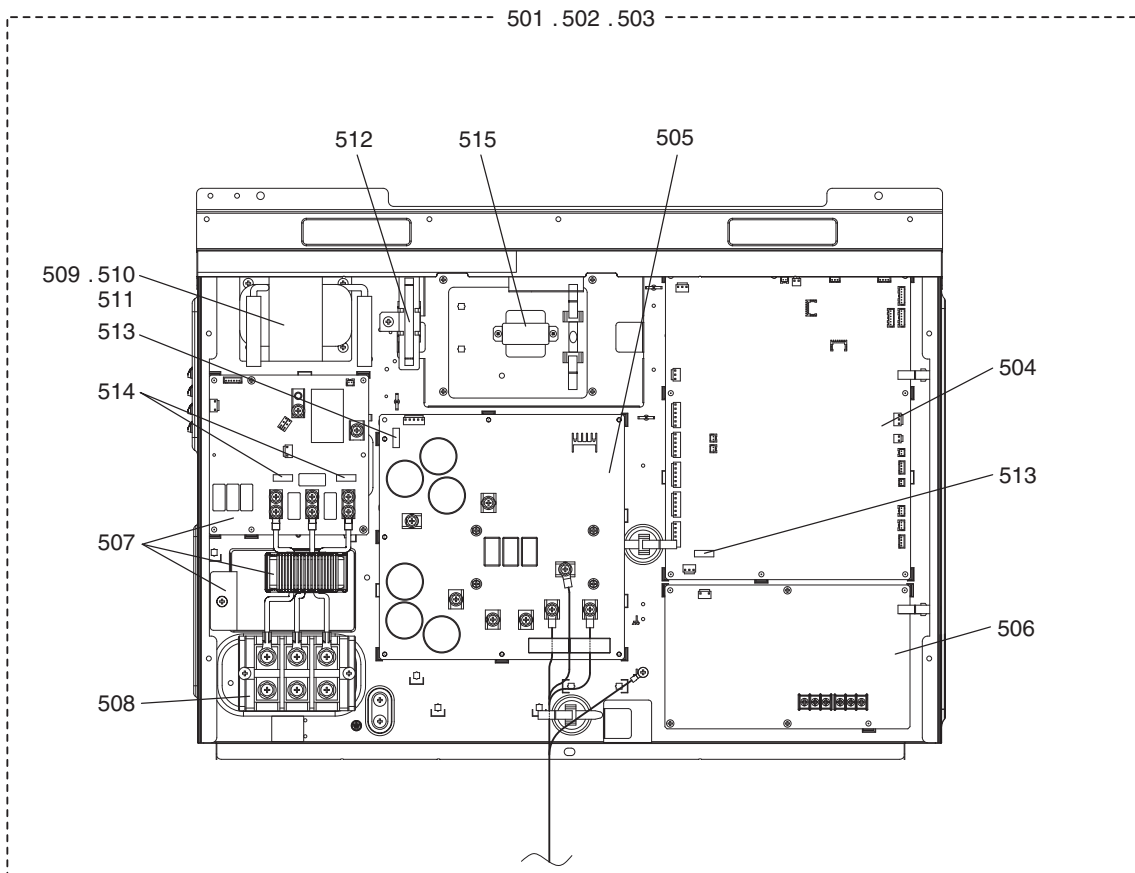


No.	Part No.	G : RoHS Apply Only W : RoHS Apply by Running Change		Spec.	PQHY-P144TLMU-A1	PQHY-P168TLMU-A1	PQHY-P192TLMU-A1	PQHY-P216TLMU-A1	PQHY-P240TLMU-A1	PQHY-P144YLMU-A1	Dwg. No.	Notes for the models	Revision info.
			Part Name										
401	R69 125 478	G	Scroll compressor	HNB84FC-U	1	1	1				EP10126B06		
402	R69 118 478	G	Scroll compressor	HNB84FC-YE						1	EP10126B04		
403	R61 125 484		Accumulator assy		1	1	1	1	1	1	KB00M867G34		
404	R61 049 487	G	Oil separator assy		1	1	1				KJ00T015G05		
405	R61 A01 480		Heat exchanger assy	Water-side	1	1	1				KB00M867G29		
406	R61 928 480	G	INV heat exchanger assy		1	1	1			1	KJ00T636G01		
407	R61 009 410	G	Ball valve	SBV-JA10YGME-3	1	1	1	1	1	1	P636358X01	<BV1>	
408	R63 014 538	G	Valve	FSV-JA5GME-19	1	1	1	1	1	1	P636362X02	<BV2>	
409	R61 008 454	G	Strainer	25.4D	1	1	1	1	1	1	KB48K250G01	<ST1>	
410	R63 Y03 454	G	Strainer	17.6D	1	1	1	1	1	1	W893281G01	<ST2>	
411	R63 S84 413	G	Check joint		2	2	2	2	2	2	P666002X01	<CJ1,CJ2>	
412	R61 027 425	G	Capillary tube assy		1	1	1	1	1	1	KD49U675G01	<CP1>	
413	R61 003 418	G	Check valve	LCVP15-7M	1	1	1	1	1	1	P639180X01	<CV1>	
414	R63 046 232	G	Solenoid valve	FD2A77	1	1	1	1	1	1	P631312X01	<SV1a>	
415	R61 013 403	G	Four way valve	STF-H0731	2	2	2	2	2	2	P633130X01	<21S4a,21S4b>	
416	R63 001 921	G	Solenoid valve	VPV-603DQ3	2	2	2	2	2	2	P631295X01	<SV7a,SV7c>	
417	R61 040 232	G	Solenoid valve	VPV-803DQ50	1	1	1	1	1	1	P631300X01	<SV7b>	
418	R61 029 243	G	Solenoid valve coil	FQ-D808	1	1	1	1	1	1	P472086X01	<SV1a>	
419	R61 040 243	G	Solenoid valve coil	STF-H01AQ1969UA1	2	2	2	2	2	2	P472095X01	<21S4a,21S4b>	
420	R61 011 243	G	Solenoid valve coil	VPV-MOAQ540UA1	3	3	3	3	3	3	P472047X01	<SV7a,SV7b,SV7c>	
421	R63 R34 401	G	Linear expansion valve	CAM-B35YGMD-2	2	2	2	2	2	2	P632416X01	<LEV1,LEVINV>	
422	R61 036 401	G	Linear expansion valve	PAM-BBOYGMD-1	2	2	2	2	2	2	P632504X01	<LEV6,LEV7>	
423	R63 011 401	G	Linear expansion valve coil	CAM-MD12MD-123	1	1	1	1	1	1	P472059X02	<LEV1>	
424	R61 022 243	G	Linear expansion valve coil	PAM-MD12MD-3	1	1	1	1	1	1	P472061X02	<LEV6>	
425	R61 093 401	G	Linear expansion valve coil	PAM-MD12MD-9	1	1	1	1	1	1	P472091X01	<LEV7>	
426	R61 094 401	G	Linear expansion valve coil	CAM-MD12MD-124	1	1	1	1	1	1	P472097X01	<LEVINV>	
427	R63 018 208	G	Pressure switch	ACB-1UB28W	1	1	1	1	1	1	P426320X02	<63H1>	
428	R63 067 288	G	Pressure sensor	HP D173	1	1	1	1	1	1	KB00M867G13	<63HS1>	
429	R63 068 288	G	Pressure sensor	LP D173	1	1	1	1	1	1	KB00M867G14	<63LS>	
430	R61 060 200	G	Thermistor	150-522-96001	7	7	7	7	7	7	P418065X01	<TH2,TH3,TH5,TH6,TH7,TH8,THINV>	
431	R63 911 202	G	Thermistor	158-204-97484	1	1	1	1	1	1	P425416X02	<TH4>	
432	R61 040 260		Transformer assy							1	KB00M867G15		
433	R69 133 478	G	Scroll compressor	HNB97FA-YE							EP10148B01		
434	R61 050 487	G	Oil separator assy				1	1			KJ00T015G04		
435	R61 A02 480	G	Heat exchanger assy	Water-side			1	1			KB00M867G21		
436	R63 Y07 237	G	Belt heater	SP4689F-04V			1	1			P493781X02	<CH11>	
437	R61 012 260	W	Transformer	T460/230V 0.8AL						1	P715467X01	<T02>	
438	R61 013 260	W	Transformer	T460/230V 0.8AS						1	P715468X01	<T03>	
439	R69 135 478		Scroll compressor	HNB97FA-U			1	1			EP10148B02		
440	R61 A08 480	G	INV heat exchanger assy				1	1			KS00C309G01		

No.	Part No.	G : RoHS Apply Only W : RoHS Apply by Running Change		Spec.	PQHY-P168YLMU-A1	PQHY-P192YLMU-A1	PQHY-P216YLMU-A1	PQHY-P240YLMU-A1	Dwg. No.	Notes for the models	Revision info.
			Part Name								
401	R69 125 478	G	Scroll compressor	HNB84FC-U					EP10126B06		
402	R69 118 478	G	Scroll compressor	HNB84FC-YE	1	1			EP10126B04		
403	R61 125 484		Accumulator assy		1	1	1	1	KB00M867G34		
404	R61 049 487	G	Oil separator assy		1	1			KJ00T015G05		
405	R61 A01 480		Heat exchanger assy	Water-side	1	1			KB00M867G29		
406	R61 928 480	G	INV heat exchanger assy		1	1	1	1	KJ00T636G01		
407	R61 009 410	G	Ball valve	SBV-JA10YGME-3	1	1	1	1	P636358X01	<BV1>	
408	R63 014 538	G	Valve	FSV-JA5GME-19	1	1	1	1	P636362X02	<BV2>	
409	R61 008 454	G	Strainer	25.4D	1	1	1	1	KB48K250G01	<ST1>	
410	R63 Y03 454	G	Strainer	17.6D	1	1	1	1	W893281G01	<ST2>	
411	R63 S84 413	G	Check joint		2	2	2	2	P666002X01	<CJ1,CJ2>	
412	R61 027 425	G	Capillary tube assy		1	1	1	1	KD49U675G01	<CP1>	
413	R61 003 418	G	Check valve	LCVP15-7M	1	1	1	1	P639180X01	<CV1>	
414	R63 046 232	G	Solenoid valve	FD2A77	1	1	1	1	P631312X01	<SV1a>	
415	R61 013 403	G	Four way valve	STF-H0731	2	2	2	2	P633130X01	<21S4a,21S4b>	
416	R63 001 921	G	Solenoid valve	VPV-603DQ3	2	2	2	2	P631295X01	<SV7a,SV7c>	
417	R61 040 232	G	Solenoid valve	VPV-803DQ50	1	1	1	1	P631300X01	<SV7b>	
418	R61 029 243	G	Solenoid valve coil	FQ-D808	1	1	1	1	P472086X01	<SV1a>	
419	R61 040 243	G	Solenoid valve coil	STF-H01AQ1969UA1	2	2	2	2	P472095X01	<21S4a,21S4b>	
420	R61 011 243	G	Solenoid valve coil	VPV-MOAQ540UA1	3	3	3	3	P472047X01	<SV7a,SV7b,SV7c>	
421	R63 R34 401	G	Linear expansion valve	CAM-B35YGMD-2	2	2	2	2	P632416X01	<LEV1,LEVINV>	
422	R61 036 401	G	Linear expansion valve	PAM-BBOYGMD-1	2	2	2	2	P632504X01	<LEV6,LEV7>	
423	R63 011 401	G	Linear expansion valve coil	CAM-MD12MD-123	1	1	1	1	P472059X02	<LEV1>	
424	R61 022 243	G	Linear expansion valve coil	PAM-MD12MD-3	1	1	1	1	P472061X02	<LEV6>	
425	R61 093 401	G	Linear expansion valve coil	PAM-MD12MD-9	1	1	1	1	P472091X01	<LEV7>	
426	R61 094 401	G	Linear expansion valve coil	CAM-MD12MD-124	1	1	1	1	P472097X01	<LEVINV>	
427	R63 018 208	G	Pressure switch	ACB-1UB28W	1	1	1	1	P426320X02	<63H1>	
428	R63 067 288	G	Pressure sensor	HP D173	1	1	1	1	KB00M867G13	<63HS1>	
429	R63 068 288	G	Pressure sensor	LP D173	1	1	1	1	KB00M867G14	<63LS>	
430	R61 060 200	G	Thermistor	150-522-96001	7	7	7	7	P418065X01	<TH2,TH3,TH5,TH6,TH7,TH8,THINV>	
431	R63 911 202	G	Thermistor	158-204-97484	1	1	1	1	P425416X02	<TH4>	
432	R61 040 260		Transformer assy		1	1	1	1	KB00M867G15		
433	R69 133 478	G	Scroll compressor	HNB97FA-YE			1	1	EP10148B01		
434	R61 050 487	G	Oil separator assy				1	1	KJ00T015G04		
435	R61 A02 480	G	Heat exchanger assy	Water-side			1	1	KB00M867G21		
436	R63 Y07 237	G	Belt heater	SP4689F-04V			1	1	P493781X02	<CH11>	
437	R61 012 260	W	Transformer	T460/230V 0.8AL	1	1	1	1	P715467X01	<T02>	
438	R61 013 260	W	Transformer	T460/230V 0.8AS	1	1	1	1	P715468X01	<T03>	
439	R69 135 478		Scroll compressor	HNB97FA-U					EP10148B02		
440	R61 A08 480	G	INV heat exchanger assy						KS00C309G01		

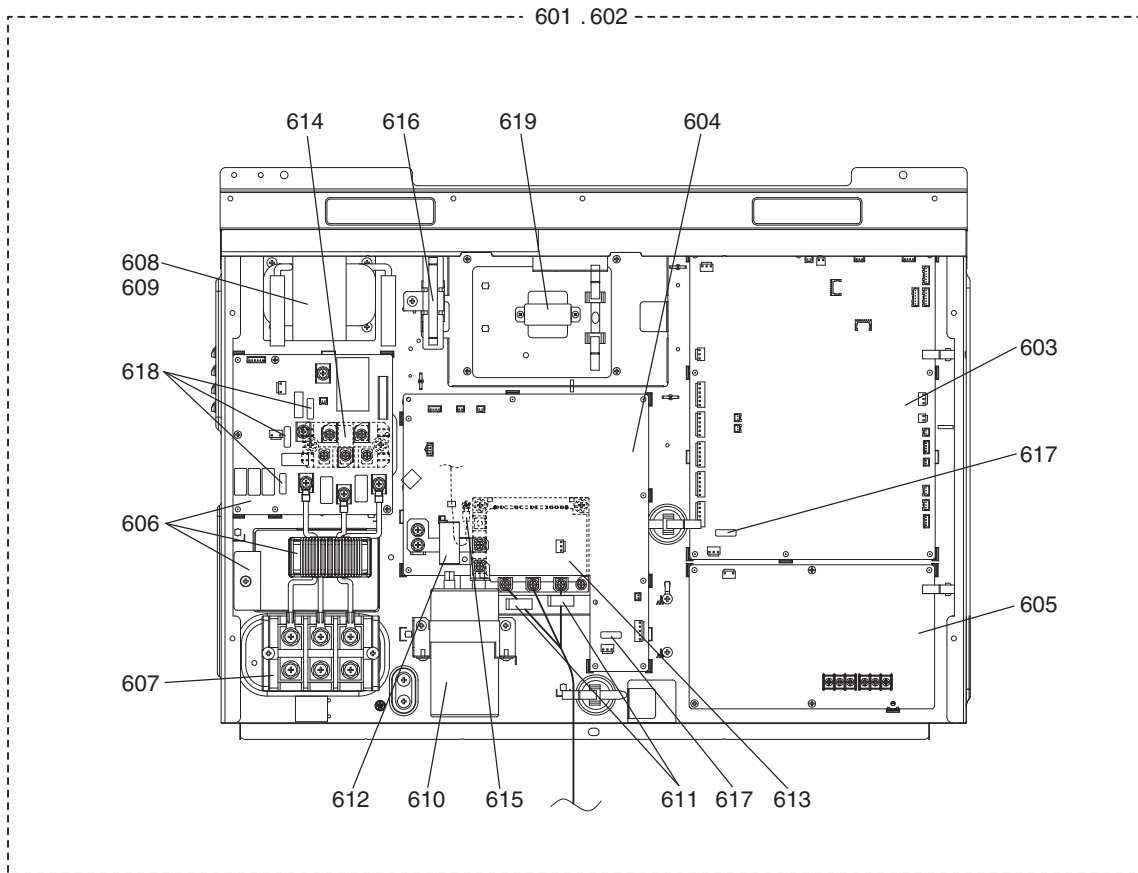
PQHY-P72TLMU-A1
PQHY-P96TLMU-A1
PQHY-P120TLMU-A1

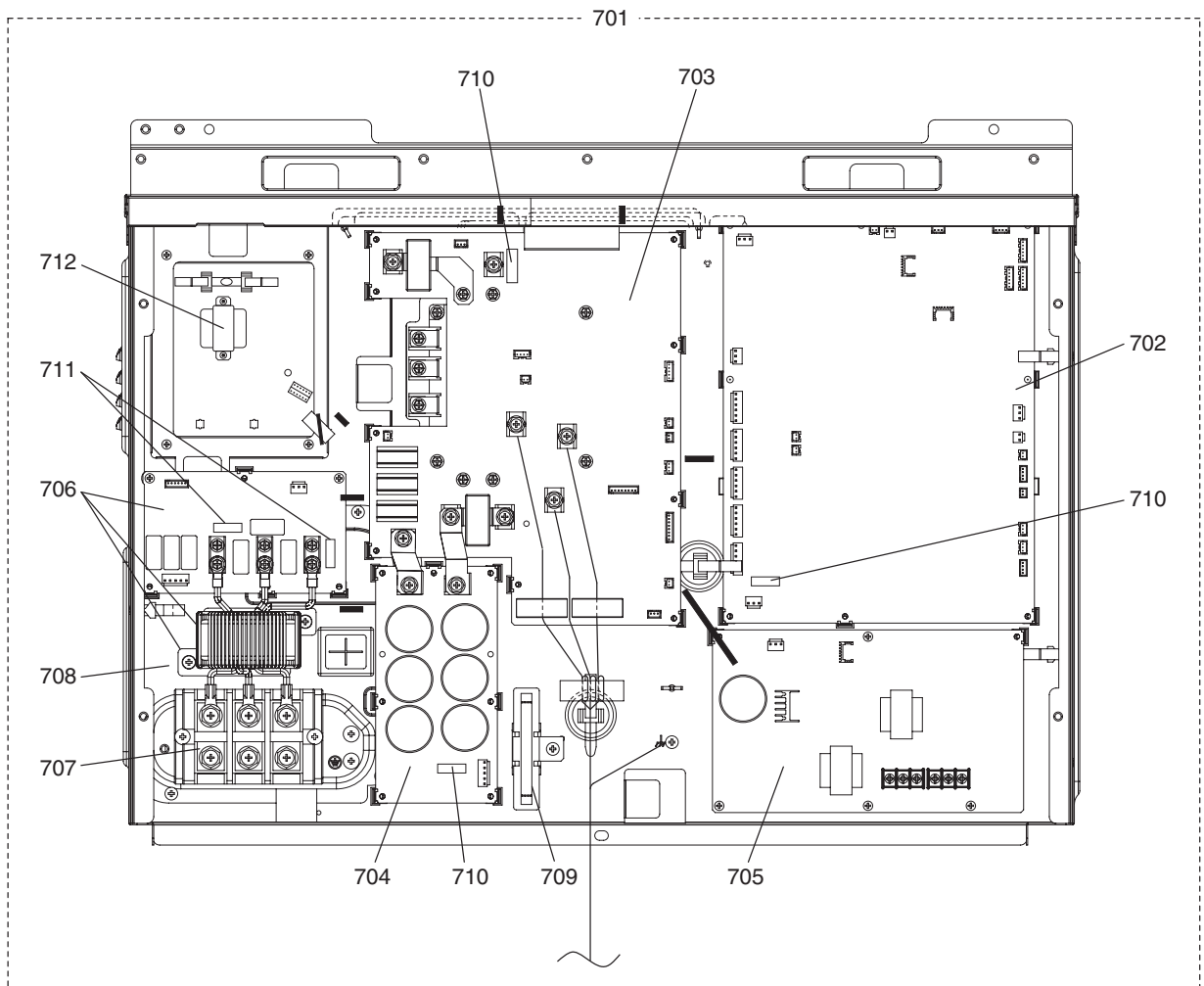
CONTROL BOX PARTS (1)

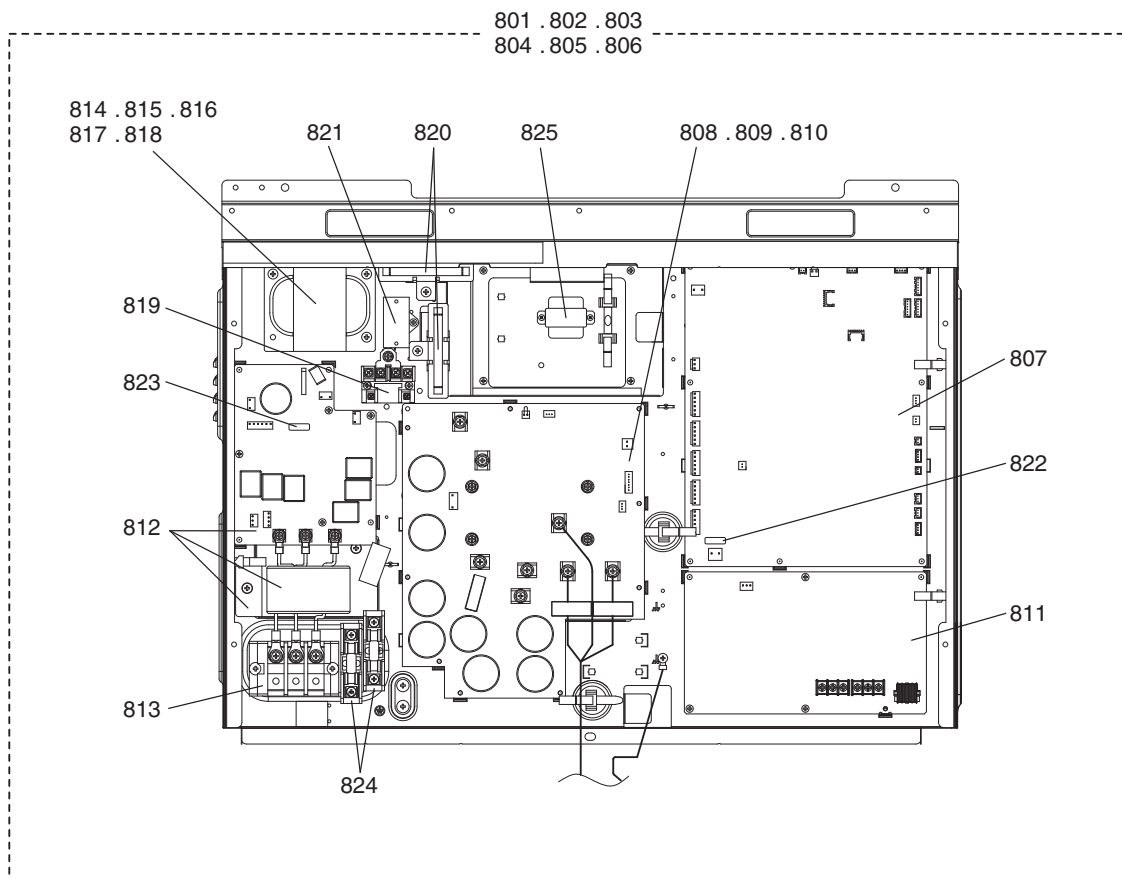


PQHY-P144TLMU-A1
PQHY-P168TLMU-A1
PQHY-P192TLMU-A1

CONTROL BOX PARTS (2)

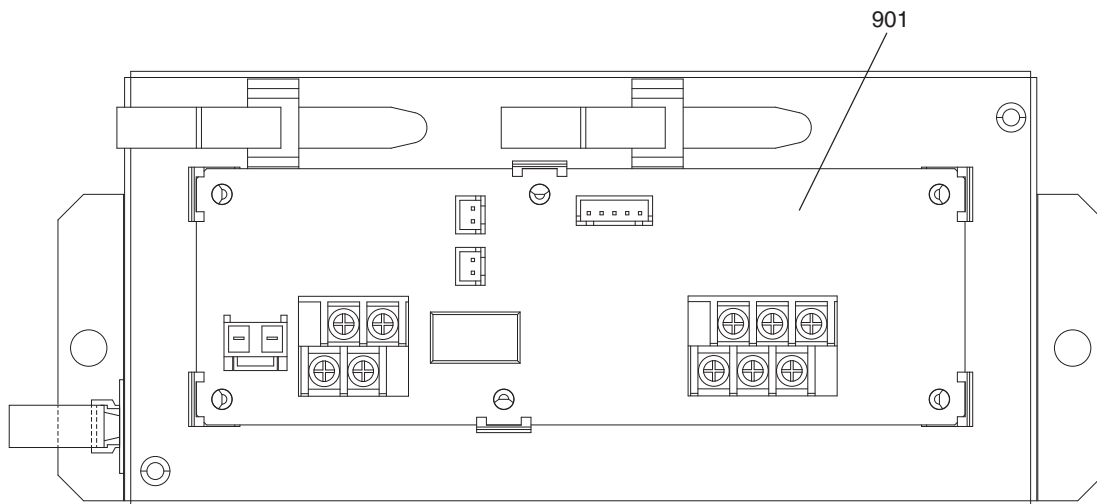






PQHY-P72,P96,P120,P144,P168,P192,P216,P240TLMU-A1
PQHY-P72,P96,P120,P144,P168,P192,P216,P240YLMU-A1

I/O BOX PARTS



mitsubishi
electric
corporation

BWE017050 (20170430)