

SERVICE PARTS LIST FOR MITSUBISHI ELECTRIC PACKAGED AIR-CONDITIONERS

Series : PQRV-P•TLMU-A2
PQRV-P•YLMU-A2

Mar. 2024
BWE023460

INDEX
PQRV-P72TLMU-A2
PQRV-P96TLMU-A2
PQRV-P120TLMU-A2
PQRV-P144TLMU-A2
PQRV-P168TLMU-A2
PQRV-P192TLMU-A2
PQRV-P216TLMU-A2
PQRV-P240TLMU-A2
PQRV-P72YLMU-A2
PQRV-P96YLMU-A2
PQRV-P120YLMU-A2
PQRV-P144YLMU-A2
PQRV-P168YLMU-A2
PQRV-P192YLMU-A2
PQRV-P216YLMU-A2
PQRV-P240YLMU-A2

The Package name list

PQRY-P144TSLMU-A2 [PQRY-P72TLMU-A2+PQRY-P72TLMU-A2]

PQRY-P168TSLMU-A2 [PQRY-P72TLMU-A2+PQRY-P96TLMU-A2]

PQRY-P192TSLMU-A2 [PQRY-P96TLMU-A2+PQRY-P96TLMU-A2]

PQRY-P216TSLMU-A2 [PQRY-P96TLMU-A2+PQRY-P120TLMU-A2]

PQRY-P240TSLMU-A2 [PQRY-P120TLMU-A2+PQRY-P120TLMU-A2]

PQRY-P288TSLMU-A2 [PQRY-P144TLMU-A2+PQRY-P144TLMU-A2]

PQRY-P312TSLMU-A2 [PQRY-P144TLMU-A2+PQRY-P168TLMU-A2]

PQRY-P336TSLMU-A2 [PQRY-P168TLMU-A2+PQRY-P168TLMU-A2]

PQRY-P144YSLMU-A2 [PQRY-P72YLMU-A2+PQRY-P72YLMU-A2]

PQRY-P168YSLMU-A2 [PQRY-P72YLMU-A2+PQRY-P96YLMU-A2]

PQRY-P192YSLMU-A2 [PQRY-P96YLMU-A2+PQRY-P96YLMU-A2]

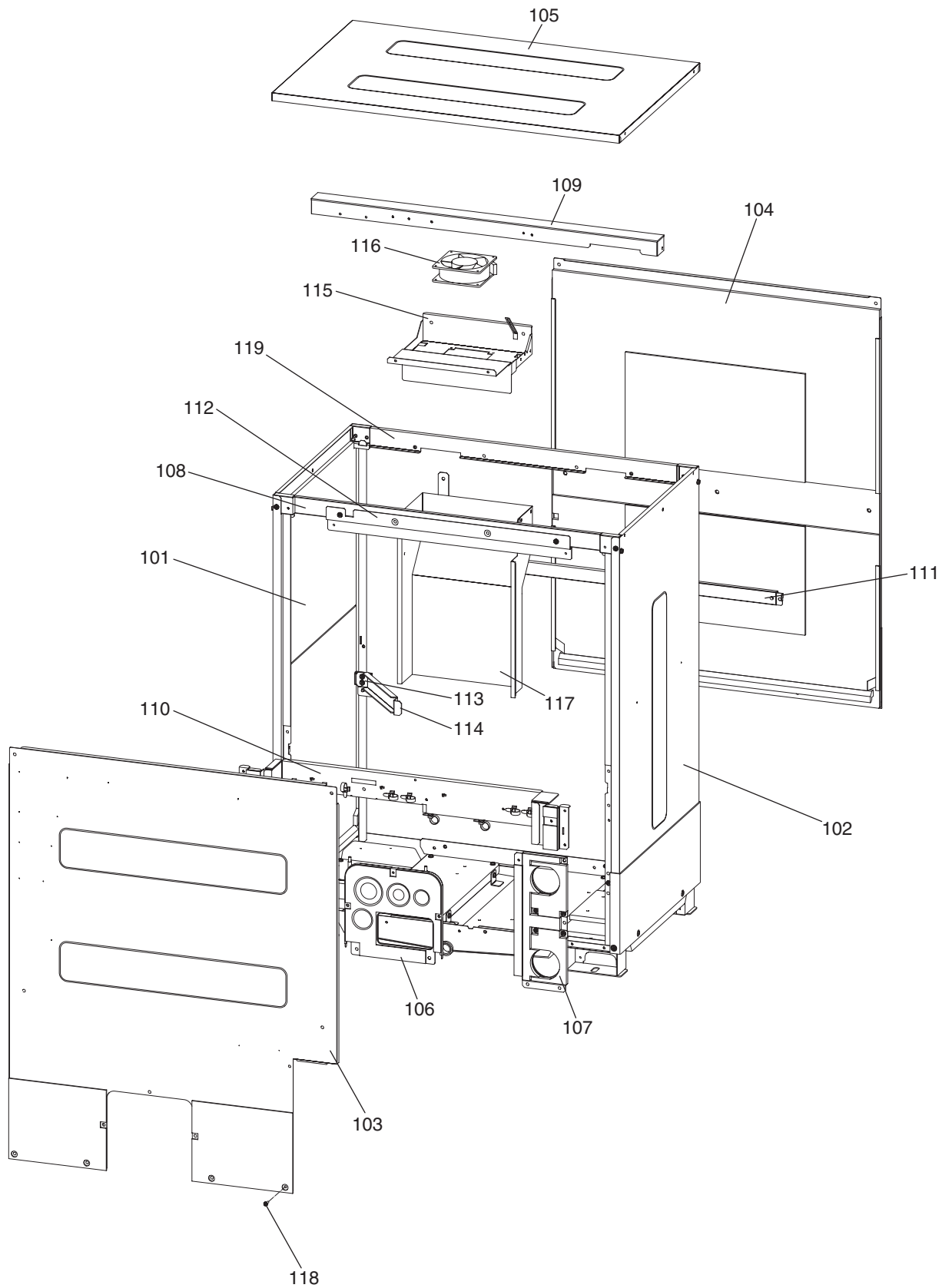
PQRY-P216YSLMU-A2 [PQRY-P96YLMU-A2+PQRY-P120YLMU-A2]

PQRY-P240YSLMU-A2 [PQRY-P120YLMU-A2+PQRY-P120YLMU-A2]

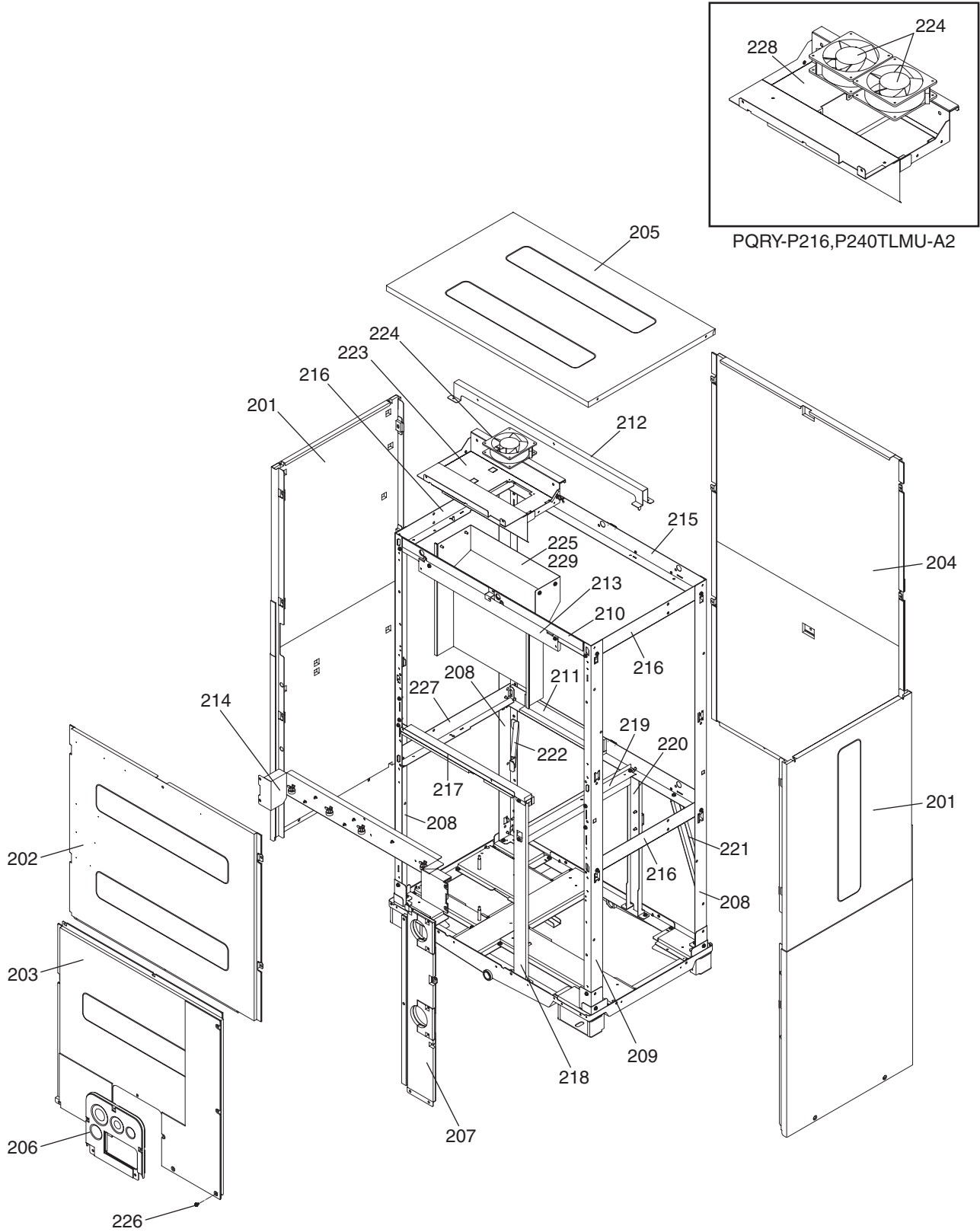
PQRY-P288YSLMU-A2 [PQRY-P144YLMU-A2+PQRY-P144YLMU-A2]

PQRY-P312YSLMU-A2 [PQRY-P144YLMU-A2+PQRY-P168YLMU-A2]

PQRY-P336YSLMU-A2 [PQRY-P168YLMU-A2+PQRY-P168YLMU-A2]



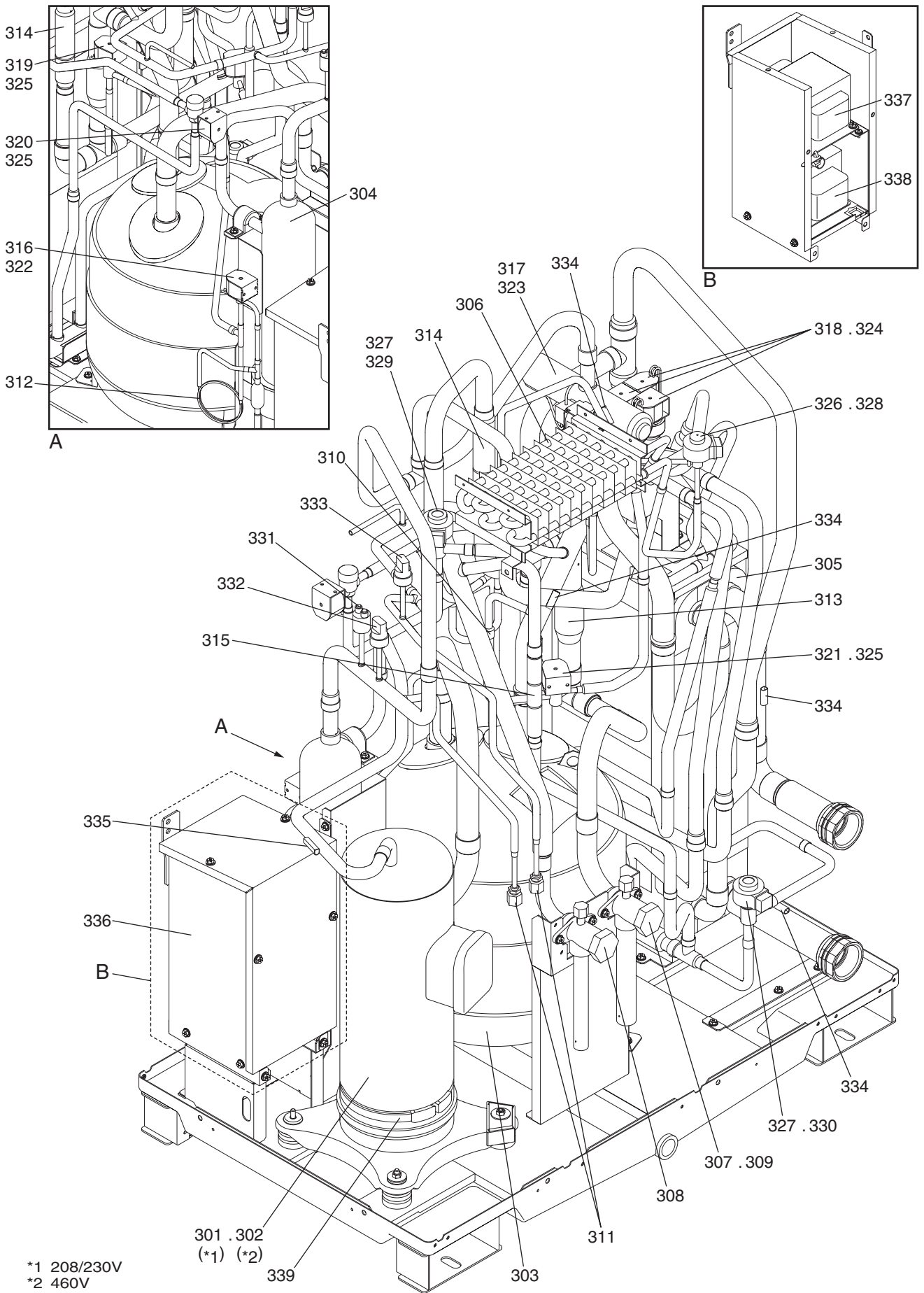
No.	Part No.	Part Name	Spec.	PQRY-P72TLMU-A2	PQRY-P96TLMU-A2	PQRY-P120TLMU-A2	PQRY-P72YLMU-A2	PQRY-P96YLMU-A2	PQRY-P120YLMU-A2	Dwg. No.	Notes for the models	Revision info.
101	R61 173 662	Panel assy L		1	1	1	1	1	1	KJ00G340G05		
102	R63 141 662	Panel assy R		1	1	1	1	1	1	KJ00G342G04		
103	R61 168 662	Panel assy F		1	1	1	1	1	1	KS00C187G01		
104	R61 143 662	Panel assy B		1	1	1	1	1	1	KJ00G374G02		
105	R61 144 662	Panel T		1	1	1	1	1	1	KJ02G221H02		
106	R61 145 690	Piping cover		1	1	1	1	1	1	KD00M400G05		
107	R61 145 662	Panel assy W		1	1	1	1	1	1	KD00M376G01		
108	R61 101 162	Frame FU		1	1	1	1	1	1	KJ02G377H01		
109	R63 102 162	Frame assy U		1	1	1	1	1	1	KD00M398G02		
110	R61 127 162	Frame assy M		1	1	1	1	1	1	KD00U811G02		
111	R61 104 162	Frame assy MB		1	1	1	1	1	1	KD00M399G01		
112	R61 016 131	Attachment	Control box	1	1	1	1	1	1	KJ02T730H01		
113	R61 017 131	Attachment	Trans	1	1	1	1	1	1	KJ02D117H01		
114	R61 015 663	Plate OS		1	1	1				KJ02T637H01		
115	R61 040 128	Attachment fan		1	1	1	1	1	1	KS00C208G01		
116	R61 003 300	Fan	109S025UL	1	1	1	1	1	1	P712360X01		
117	R61 044 457	Duct		1	1	1	1	1	1	KS00C207G01		
118	R61 048 087	H Screw	5 x 10 KNURLED (30pcs)	3	3	3	3	3	3	KB00H418G14		
119	R63 123 162	Frame FR		1	1	1	1	1	1	KJ00D387G01		



No.	Part No.	Part Name	Spec.	PQRY-P144TLMU-A2	PQRY-P168TLMU-A2	PQRY-P192TLMU-A2	PQRY-P216TLMU-A2	PQRY-P240TLMU-A2	PQRY-P144YLMU-A2	Dwg. No.	Notes for the models	Revision info.
202	R61 348 651	Panel assy FU		1	1	1	1	1	1	KS00L137G02		
203	R61 291 651	Panel assy FB		1	1	1	1	1	1	KJ00T102G01		
204	R61 292 651	Panel assy B		1	1	1	1	1	1	KJ00T104G03		
205	R61 349 651	Panel assy T		1	1	1	1	1	1	KS00L134G01		
206	R61 145 690	Piping cover		1	1	1	1	1	1	KD00M400G05		
207	R63 294 651	Panel assy W		1	1	1	1	1	1	KB00M867G17		
208	R61 069 626	Pillar	Main	3	3	3	3	3	3	KB02V753H07		
209	R61 042 626	Pillar assy	Main	1	1	1	1	1	1	KJ00T627G07		
210	R61 111 162	Frame assy HF		1	1	1	1	1	1	KD00U723G01		
211	R61 112 162	Frame assy HB		1	1	1	1	1	1	KD00U724G01		
212	R61 113 162	Frame	Duct support	1	1	1	1	1	1	KJ02R943H01		
213	R61 015 131	Attachment	Control box	1	1	1	1	1	1	KJ02R945H01		
214	R61 128 162	Frame assy M		1	1	1	1	1	1	KD00U680G03		
215	R61 115 162	Frame assy H		1	1	1	1	1	1	KJ00T520G01		
216	R61 116 162	Frame side		3	3	3	3	3	3	KJ02R938H03		
217	R61 120 162	Frame assy HF		1	1	1	1	1	1	KJ00T628G05		
218	R61 038 626	Pillar	HEX support F	1	1	1	1	1	1	KJ02R940H01		
219	R61 121 162	Frame	HEX base	1	1	1	1	1	1	KD00U917G01		
220	R61 039 626	Pillar assy	HEX support	1	1	1	1	1	1	KD00U716G01		
221	R61 064 668	Frame support		1	1	1	1	1	1	KJ02T626H01		
222	R61 015 663	Plate OS		1	1	1	1	1	1	KJ02T637H01		
223	R61 039 128	Attachment fan		1	1	1			1	KJ00R960G01		
224	R61 003 300	Fan	109S025UL	1	1	1	2	2	1	P712360X01		
225	R61 043 457	Duct		1	1	1			1	KD00U645G01		
226	R61 048 087	H Screw	5 x 10 KNURLED (30pcs)	3	3	3	3	3	3	KB00H418G14		
227	R61 122 162	Frame side		1	1	1	1	1	1	KD00U927G03		
228	R61 041 128	Attachment fan					1	1		KS00C306G02		
229	R61 045 457	Duct					1	1		KD00U646G02		

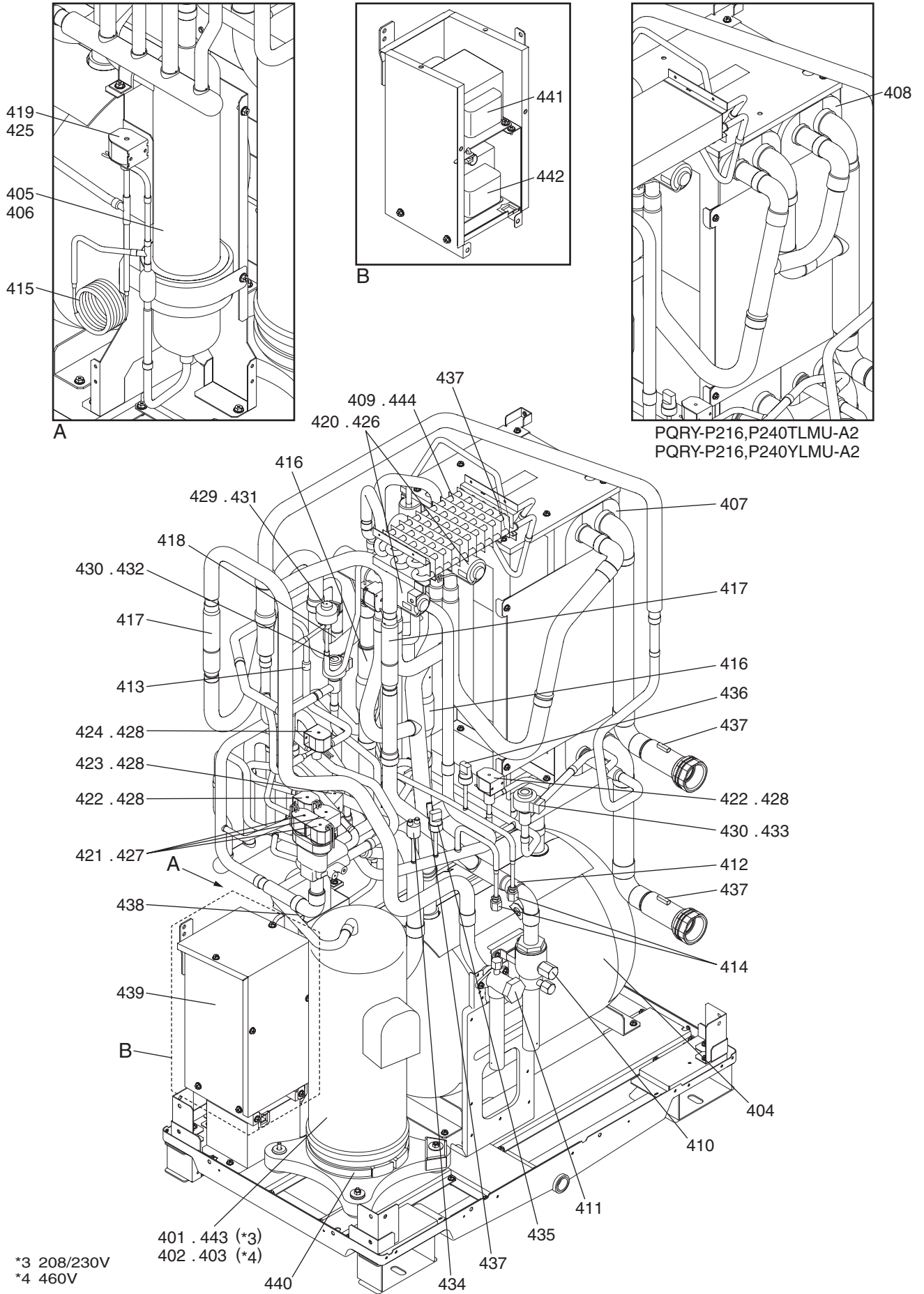
PQRY-P144,P168,P192,P216,P240TLMU-A2 EXTERNAL PARTS (2)
 PQRY-P144,P168,P192,P216,P240YLMU-A2

No.	Part No.	Part Name	Spec.	PQRY-P168YLMU-A2	PQRY-P192YLMU-A2	PQRY-P216YLMU-A2	PQRY-P240YLMU-A2	Dwg. No.	Notes for the models	Revision info.
201	R61 278 651	Panel assy LR		2	2	2	2	KJ00T103G02		
202	R61 348 651	Panel assy FU		1	1	1	1	KS00L137G02		
203	R61 291 651	Panel assy FB		1	1	1	1	KJ00T102G01		
204	R61 292 651	Panel assy B		1	1	1	1	KJ00T104G03		
205	R61 349 651	Panel assy T		1	1	1	1	KS00L134G01		
206	R61 145 690	Piping cover		1	1	1	1	KD00M400G05		
207	R63 294 651	Panel assy W		1	1	1	1	KB00M867G17		
208	R61 069 626	Pillar	Main	3	3	3	3	KB02V753H07		
209	R61 042 626	Pillar assy	Main	1	1	1	1	KJ00T627G07		
210	R61 111 162	Frame assy HF		1	1	1	1	KD00U723G01		
211	R61 112 162	Frame assy HB		1	1	1	1	KD00U724G01		
212	R61 113 162	Frame	Duct support	1	1	1	1	KJ02R943H01		
213	R61 015 131	Attachment	Control box	1	1	1	1	KJ02R945H01		
214	R61 128 162	Frame assy M		1	1	1	1	KD00U680G03		
215	R61 115 162	Frame assy H		1	1	1	1	KJ00T520G01		
216	R61 116 162	Frame side		3	3	3	3	KJ02R938H03		
217	R61 120 162	Frame assy HF		1	1	1	1	KJ00T628G05		
218	R61 038 626	Pillar	HEX support F	1	1	1	1	KJ02R940H01		
219	R61 121 162	Frame	HEX base	1	1	1	1	KD00U917G01		
220	R61 039 626	Pillar assy	HEX support	1	1	1	1	KD00U716G01		
221	R61 064 668	Frame support		1	1	1	1	KJ02T626H01		
222	R61 015 663	Plate OS						KJ02T637H01		
223	R61 039 128	Attachment fan		1	1	1	1	KJ00R960G01		
224	R61 003 300	Fan	109S025UL	1	1	1	1	P712360X01		
225	R61 043 457	Duct		1	1	1	1	KD00U645G01		
226	R61 048 087	H Screw	5 x 10 KNURLED (30pcs)	3	3	3	3	KB00H418G14		
227	R61 122 162	Frame side		1	1	1	1	KD00U927G03		
228	R61 041 128	Attachment fan						KS00C306G02		
229	R61 045 457	Duct						KD00U646G02		



*1 208/230V
 *2 460V

No.	Part No.	Part Name	Spec.	PQRY-P72/P96/P120TLMU-A2						Dwg. No.	Notes for the models	Revision info.
				PQRY-P72TLMU-A2	PQRY-P96TLMU-A2	PQRY-P120TLMU-A2	PQRY-P72YLMU-A2	PQRY-P96YLMU-A2	PQRY-P120YLMU-A2			
301	R69 211 478	Scroll compressor	ENB62FB-U	1	1	1				EP10132B06	*1 208/230V	
302	R69 179 478	Scroll compressor	ENB62FB-YE				1	1	1	EP10132B04	*2 460V	
303	R63 127 484	Accumulator assy		1	1	1	1	1	1	KB00M867G24		
304	R61 069 487	Oil separator assy		1	1	1	1	1	1	KB00C6VZG01		
305	R61 M34 480	Heat exchanger assy	Water-side	1	1	1	1	1	1	KB00M867G41		
306	R61 K80 480	INV heat exchanger assy		1	1	1	1	1	1	KJ00T636G01		
307	R61 025 538	Valve	VSAMH8SSCM-LA1	1	1	1	1	1	1	P636353X01	<BV1>	
308	R61 006 538	Valve	VSAMH6SSCM-LA1	1	1	1	1	1	1	P636352X01	<BV2>	
309	R61 022 454	Strainer	25.4D	1	1	1	1	1	1	KJ00P967G01	<ST1>	
310	R61 012 454	Strainer	12.5D	1	1	1	1	1	1	KB48S298G01	<ST18>	
311	R63 S84 413	Check joint		2	2	2	2	2	2	P666002X01	<CJ1,2>	
312	R63 002 425	Capillary tube assy		1	1	1	1	1	1	KB49F229G01	<CP1>	
313	R61 065 418	Check valve	YBV-22Y9GMD-4	1	1	1	1	1	1	P639196X01	<CV2a>	
314	R61 072 418	Check valve	BCV-1807DYQ2	2	2	2	2	2	2	P639218X02	<CV3a,5a>	
315	R63 R43 418	Check valve	BCV-1005DYQ82	1	1	1	1	1	1	P639165X01	<CV6a>	
316	R63 046 232	Solenoid valve	FDFA2A77	1	1	1	1	1	1	P631312X01	<SV1a>	
317	R61 013 403	Four way valve	STF-H0731	1	1	1	1	1	1	P633130X01	<21S4a>	
318	R61 038 232	Solenoid valve block		1	1	1	1	1	1	KB00T028G03		
319	R63 001 921	Solenoid valve	VPV-603DQ3	1	1	1	1	1	1	P631295X01	<SV7a>	
320	R61 040 232	Solenoid valve	VPV-803DQ50	1	1	1	1	1	1	P631300X01	<SV7b>	
321	R63 027 232	Solenoid valve	VPV-L202D	1	1	1	1	1	1	P631296X01	<SV9>	
322	R61 029 243	Solenoid valve coil	FQ-D808	1	1	1	1	1	1	P472086X01	<SV1a>	
323	R61 040 243	Solenoid valve coil	STF-H01AQ1969UA1	1	1	1	1	1	1	P472095X01	<21S4a>	
324	R61 076 243	Solenoid valve coil	A20-1B02B-1	3	3	3	3	3	3	P472123X01	<SV4a,4b,4d>	
325	R61 011 243	Solenoid valve coil	VPV-MOAOQ540UA1	3	3	3	3	3	3	P472047X01	<SV7a,7b,9>	
326	R63 R34 401	Linear expansion valve	CAM-B35YGMD-2	1	1	1	1	1	1	P632416X01	<LEVINV>	
327	R61 107 401	Linear expansion valve	PAM-BB0YGMD-2	2	2	2	2	2	2	KR50C486H01	<LEV6,7>	
328	R61 024 401	Linear expansion valve coil	CAM-MD12MD-116	1	1	1	1	1	1	P472054X02	<LEVINV>	
329	R61 092 243	Linear expansion valve coil	PAM-MD12MD-3	1	1	1	1	1	1	P472061X02	<LEV6>	
330	R61 140 401	Linear expansion valve coil	PAM-MD12MD-9	1	1	1	1	1	1	P472091X01	<LEV7>	
331	R61 056 208	Pressure switch	ACB-1UB28W	1	1	1	1	1	1	P426320X02	<63H1>	
332	R61 141 288	Pressure sensor	HP D173	1	1	1	1	1	1	KB00M867G10	<63HS1>	
333	R61 142 288	Pressure sensor	LP D173	1	1	1	1	1	1	KB00M867G11	<63LS>	
334	R61 060 200	Thermistor	150-522-96001	4	4	4	4	4	4	P418065X01	<TH5,7,8,INV>	
335	R63 911 202	Thermistor	158-204-97484	1	1	1	1	1	1	P425416X02	<TH4>	
336	R61 069 260	Transformer assy					1	1	1	KB00M867G15		
337	R61 012 260	Transformer	T460/230V 0.8AL				1	1	1	P715467X01	<T02>	
338	R61 013 260	Transformer	T460/230V 0.8AS				1	1	1	P715468X01	<T03>	
339	R61 026 237	Belt heater	SP4680N-02V	1	1	1	1	1	1	P497290X01	<CH11>	

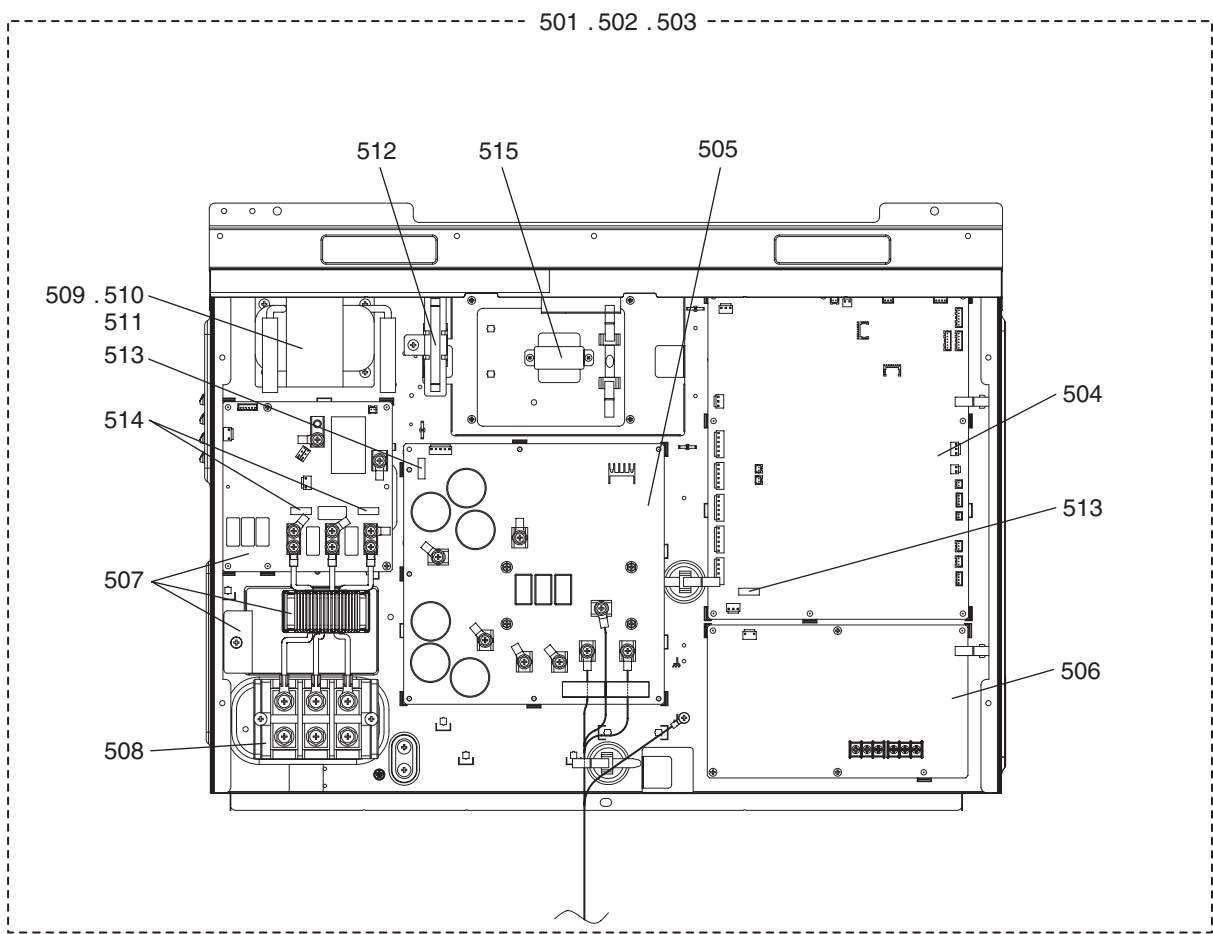


No.	Part No.	Part Name	Spec.	PQRY-P144TLMU-A2	PQRY-P168TLMU-A2	PQRY-P192TLMU-A2	PQRY-P216TLMU-A2	PQRY-P240TLMU-A2	PQRY-P144YLMU-A2	Dwg. No.	Notes for the models	Revision info.
401	R69 125 478	Scroll compressor	HNB84FC-U	1	1	1				EP10126B06	*3 208/230V	
402	R69 177 478	Scroll compressor	HNB84FC-YE						1	EP10126B04	*4 460V	
403	R69 204 478	Scroll compressor	HNB97FA-YE							EP10148B01	*4 460V	
404	R61 198 484	Accumulator assy		1	1	1	1	1	1	KB00M867G34		
405	R61 070 487	Oil separator assy		1	1	1			1	KB00C6UHG01		
406	R61 071 487	Oil separator assy					1	1		KB00C6UHG02		
407	R61 M38 480	Heat exchanger assy	Water-side	1	1	1			1	KB00M867G45		
408	R61 M40 480	Heat exchanger assy	Water-side				1	1		KB00M867G47		
409	R61 K80 480	INV heat exchanger assy		1	1	1			1	KJ00T636G01		
410	R61 032 410	Ball valve	SBV10-002	1	1	1	1	1	1	KJ00S007G01	<BV1>	
411	R61 025 538	Valve	VSAMH8SSCM-LA1	1	1	1	1	1	1	P636353X01	<BV2>	
412	R61 022 454	Strainer	25.4D	1	1	1	1	1	1	KJ00P967G01	<ST1>	
413	R61 012 454	Strainer	12.5D	1	1	1	1	1	1	KB48S298G01	<ST18>	
414	R63 S84 413	Check joint		2	2	2	2	2	2	P666002X01	<CJ1,2>	
415	R61 027 425	Capillary tube assy		1	1	1	1	1	1	KD49U675G01	<CP1>	
416	R61 065 418	Check valve	YBV-22Y9GMD-4	2	2	2	2	2	2	P639196X01	<CV2a,2b>	
417	R61 072 418	Check valve	BCV-1807DYQ2	2	2	2	2	2	2	P639218X02	<CV3a,5a>	
418	R63 R43 418	Check valve	BCV-1005DYQ82	1	1	1	1	1	1	P639165X01	<CV6a>	
419	R63 046 232	Solenoid valve	FDFA277	1	1	1	1	1	1	P631312X01	<SV1a>	
420	R61 013 403	Four way valve	STF-H0731	2	2	2	2	2	2	P633130X01	<21S4a,b>	
421	R61 038 232	Solenoid valve block		1	1	1	1	1	1	KB00T028G03		
422	R63 001 921	Solenoid valve	VPV-603DQ3	2	2	2	2	2	2	P631295X01	<SV7a,7c>	
423	R61 040 232	Solenoid valve	VPV-803DQ50	1	1	1	1	1	1	P631300X01	<SV7b>	
424	R63 027 232	Solenoid valve	VPV-L202D	1	1	1	1	1	1	P631296X01	<SV9>	
425	R61 029 243	Solenoid valve coil	FQ-D808	1	1	1	1	1	1	P472086X01	<SV1a>	
426	R61 040 243	Solenoid valve coil	STF-H01AQ1969UA1	2	2	2	2	2	2	P472095X01	<21S4a,b>	
427	R61 076 243	Solenoid valve coil	A20-1B02B-1	3	3	3	3	3	3	P472123X01	<SV4a,4b,4d>	
428	R61 011 243	Solenoid valve coil	VPV-MOQA540UA1	4	4	4	4	4	4	P472047X01	<SV7a,7b,7c,9>	
429	R63 R34 401	Linear expansion valve	CAM-B35YGMD-2	1	1	1	1	1	1	P632416X01	<LEVINV>	
430	R61 107 401	Linear expansion valve	PAM-BB0YGMD-2	2	2	2	2	2	2	KR50C486H01	<LEV6,7>	
431	R61 094 401	Linear expansion valve coil	CAM-MD12MD-124	1	1	1	1	1	1	P472097X01	<LEVINV>	
432	R61 092 243	Linear expansion valve coil	PAM-MD12MD-3	1	1	1	1	1	1	P472061X02	<LEV6>	
433	R61 140 401	Linear expansion valve coil	PAM-MD12MD-9	1	1	1	1	1	1	P472091X01	<LEV7>	
434	R61 056 208	Pressure switch	ACB-1UB28W	1	1	1	1	1	1	P426320X02	<63H1>	
435	R61 143 288	Pressure sensor	HP D173	1	1	1	1	1	1	KB00M867G13	<63HS1>	
436	R61 144 288	Pressure sensor	LP D173	1	1	1	1	1	1	KB00M867G14	<63LS>	
437	R61 060 200	Thermistor	150-522-96001	4	4	4	4	4	4	P418065X01	<TH5,7,8,INV>	
438	R63 911 202	Thermistor	158-204-97484	1	1	1	1	1	1	P425416X02	<TH4>	
439	R61 069 260	Transformer assy							1	KB00M867G15		
440	R63 Y07 237	Belt heater	SP4689F-04V	1	1	1	1	1	1	P493781X02	<CH11>	
441	R61 012 260	Transformer	T460/230V 0.8AL						1	P715467X01	<T02>	
442	R61 013 260	Transformer	T460/230V 0.8AS						1	P715468X01	<T03>	
443	R69 217 478	Scroll compressor	HNB97FA-U				1	1		EP10148B02	*3 208/230V	
444	R61 L45 480	INV heat exchanger assy					1	1		KS00C309G01		

No.	Part No.	Part Name	Spec.	PQRY-P168YLMU-A2	PQRY-P168YLMU-A2	PQRY-P192YLMU-A2	PQRY-P216YLMU-A2	PQRY-P240YLMU-A2		Dwg. No.	Notes for the models	Revision info.
401	R69 125 478	Scroll compressor	HNB84FC-U							EP10126B06	*3 208/230V	
402	R69 177 478	Scroll compressor	HNB84FC-YE	1	1					EP10126B04	*4 460V	
403	R69 204 478	Scroll compressor	HNB97FA-YE			1	1			EP10148B01	*4 460V	
404	R61 198 484	Accumulator assy		1	1	1	1			KB00M867G34		
405	R61 070 487	Oil separator assy		1	1					KB00C6UHG01		
406	R61 071 487	Oil separator assy				1	1			KB00C6UHG02		
407	R61 M38 480	Heat exchanger assy	Water-side	1	1					KB00M867G45		
408	R61 M40 480	Heat exchanger assy	Water-side			1	1			KB00M867G47		
409	R61 K80 480	INV heat exchanger assy		1	1	1	1			KJ00T636G01		
410	R61 032 410	Ball valve	SBV10-002	1	1	1	1			KJ00S007G01	<BV1>	
411	R61 025 538	Valve	VSAMH8SSCM-LA1	1	1	1	1			P636353X01	<BV2>	
412	R61 022 454	Strainer	25.4D	1	1	1	1			KJ00P967G01	<ST1>	
413	R61 012 454	Strainer	12.5D	1	1	1	1			KB48S298G01	<ST18>	
414	R63 S84 413	Check joint		2	2	2	2			P666002X01	<CJ1,2>	
415	R61 027 425	Capillary tube assy		1	1	1	1			KD49U675G01	<CP1>	
416	R61 065 418	Check valve	YBV-22Y9GMD-4	2	2	2	2			P639196X01	<CV2a,2b>	
417	R61 072 418	Check valve	BCV-1807DYQ2	2	2	2	2			P639218X02	<CV3a,5a>	
418	R63 R43 418	Check valve	BCV-1005DYQ82	1	1	1	1			P639165X01	<CV6a>	
419	R63 046 232	Solenoid valve	FDFA277	1	1	1	1			P631312X01	<SV1a>	
420	R61 013 403	Four way valve	STF-H0731	2	2	2	2			P633130X01	<21S4a,b>	
421	R61 038 232	Solenoid valve block		1	1	1	1			KB00T028G03		
422	R63 001 921	Solenoid valve	VPV-603DQ3	2	2	2	2			P631295X01	<SV7a,7c>	
423	R61 040 232	Solenoid valve	VPV-803DQ50	1	1	1	1			P631300X01	<SV7b>	
424	R63 027 232	Solenoid valve	VPV-L202D	1	1	1	1			P631296X01	<SV9>	
425	R61 029 243	Solenoid valve coil	FQ-D808	1	1	1	1			P472086X01	<SV1a>	
426	R61 040 243	Solenoid valve coil	STF-H01AQ1969UA1	2	2	2	2			P472095X01	<21S4a,b>	
427	R61 076 243	Solenoid valve coil	A20-1B02B-1	3	3	3	3			P472123X01	<SV4a,4b,4d>	
428	R61 011 243	Solenoid valve coil	VPV-MOQA540UA1	4	4	4	4			P472047X01	<SV7a,7b,7c,9>	
429	R63 R34 401	Linear expansion valve	CAM-B35YGMD-2	1	1	1	1			P632416X01	<LEVINV>	
430	R61 107 401	Linear expansion valve	PAM-BB0YGMD-2	2	2	2	2			KR50C486H01	<LEV6,7>	
431	R61 094 401	Linear expansion valve coil	CAM-MD12MD-124	1	1	1	1			P472097X01	<LEVINV>	
432	R61 092 243	Linear expansion valve coil	PAM-MD12MD-3	1	1	1	1			P472061X02	<LEV6>	
433	R61 140 401	Linear expansion valve coil	PAM-MD12MD-9	1	1	1	1			P472091X01	<LEV7>	
434	R61 056 208	Pressure switch	ACB-1UB28W	1	1	1	1			P426320X02	<63H1>	
435	R61 143 288	Pressure sensor	HP D173	1	1	1	1			KB00M867G13	<63HS1>	
436	R61 144 288	Pressure sensor	LP D173	1	1	1	1			KB00M867G14	<63LS>	
437	R61 060 200	Thermistor	150-522-96001	4	4	4	4			P418065X01	<TH5,7,8,INV>	
438	R63 911 202	Thermistor	158-204-97484	1	1	1	1			P425416X02	<TH4>	
439	R61 069 260	Transformer assy		1	1	1	1			KB00M867G15		
440	R63 Y07 237	Belt heater	SP4689F-04V	1	1	1	1			P493781X02	<CH11>	
441	R61 012 260	Transformer	T460/230V 0.8AL	1	1	1	1			P715467X01	<T02>	
442	R61 013 260	Transformer	T460/230V 0.8AS	1	1	1	1			P715468X01	<T03>	
443	R69 217 478	Scroll compressor	HNB97FA-U							EP10148B02	*3 208/230V	
444	R61 L45 480	INV heat exchanger assy								KS00C309G01		

PQRY-P72TLMU-A2
PQRY-P96TLMU-A2
PQRY-P120TLMU-A2

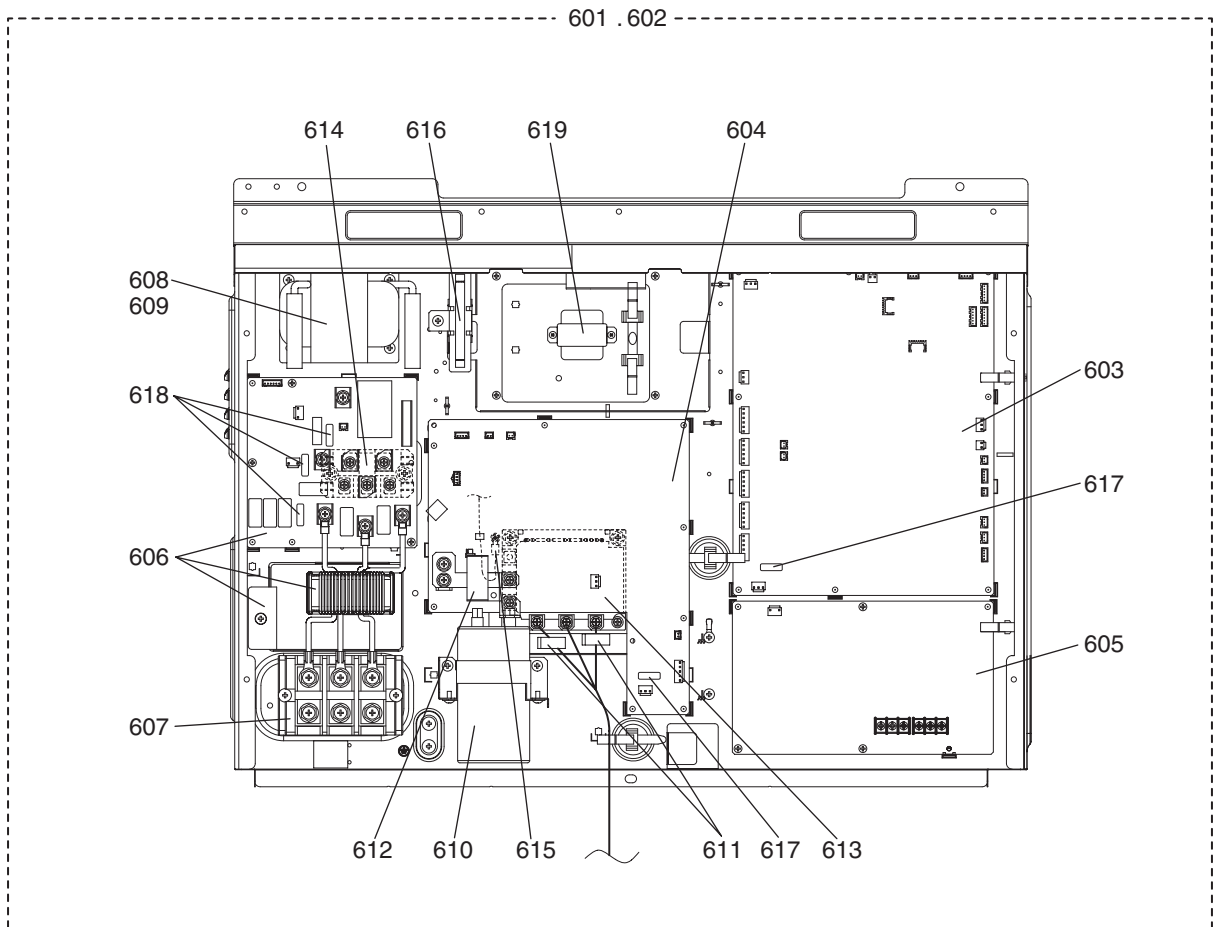
CONTROL BOX PARTS (1)

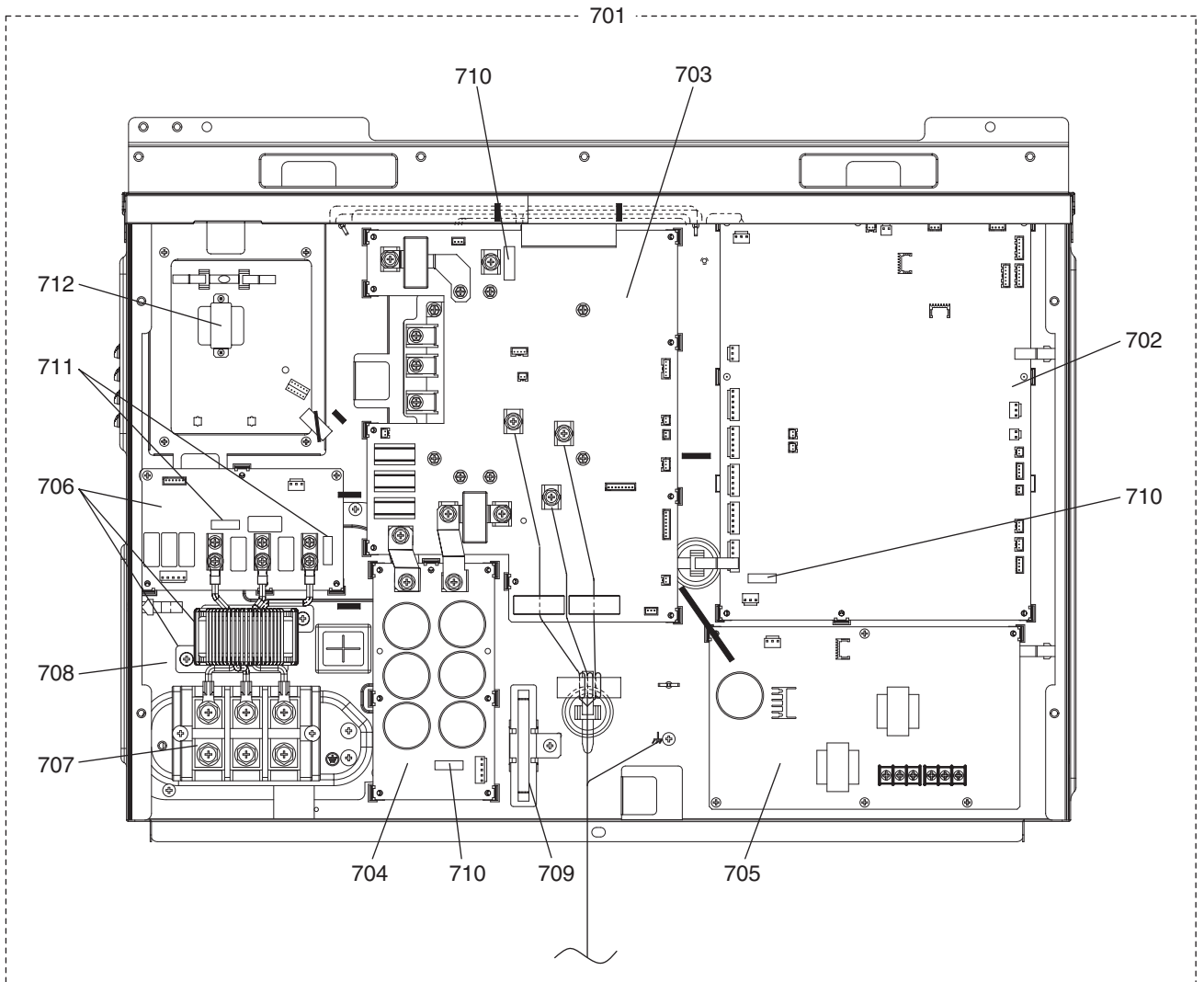


No.	Part No.	Part Name	Spec.	PQRY-P72TLMU-A2	PQRY-P96TLMU-A2	PQRY-P120TLMU-A2				Dwg. No.	Notes for the models	Revision info.
501	R61 K47 305	Control box	WR-P72TLMU	1						KE80G095GQ0		
502	R61 K48 305	Control box	WR-P96TLMU		1					KE80G095GQ1		
503	R61 K49 305	Control box	WR-P120TLMU			1				KE80G095GQ2		
504	R61 358 280	Control board		1	1	1				KE80C836G13	<MAIN09>	
505	R61 353 280	INV board		1	1	1				KE80C520G10	<INV24>	
506	R63 278 280	M-NET board		1	1	1				KE80C055G07	<PS-MNET-Y>	
507	R61 057 293	Noise filter	board,coil,plate	1	1	1				KE80C726G12		
508	R61 026 246	Terminal block		1	1	1				S436007H02	<TB1>	
509	R61 050 259	Reactor		1						KR65C338H01	<DCL>	
510	R61 022 259	Reactor			1					P715465X01	<DCL>	
511	R61 029 259	Reactor				1				P715482X01	<DCL>	
512	R63 670 234	Resistor		1	1	1				P411113X01	<R1>	
513	R61 018 239	Fuse	3.15A AC250V T	2	2	2				YE81D827H02		
514	R61 006 239	Fuse	6.3A AC250V T	2	2	2				S423001H42		
515	R61 052 260	Transformer	240V23.5V	1	1	1				P715563X01	<T04>	

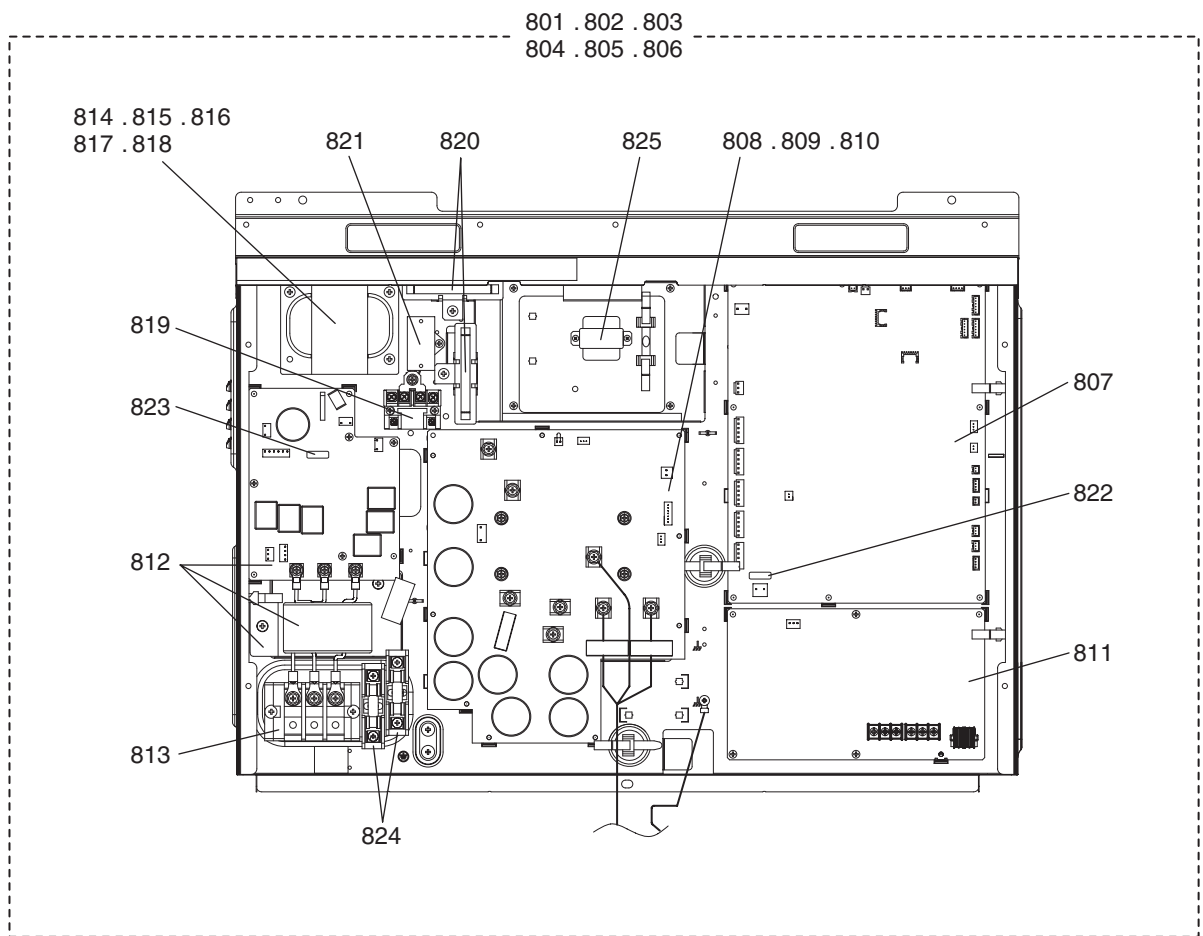
PQRY-P144TLMU-A2
PQRY-P168TLMU-A2
PQRY-P192TLMU-A2

CONTROL BOX PARTS (2)





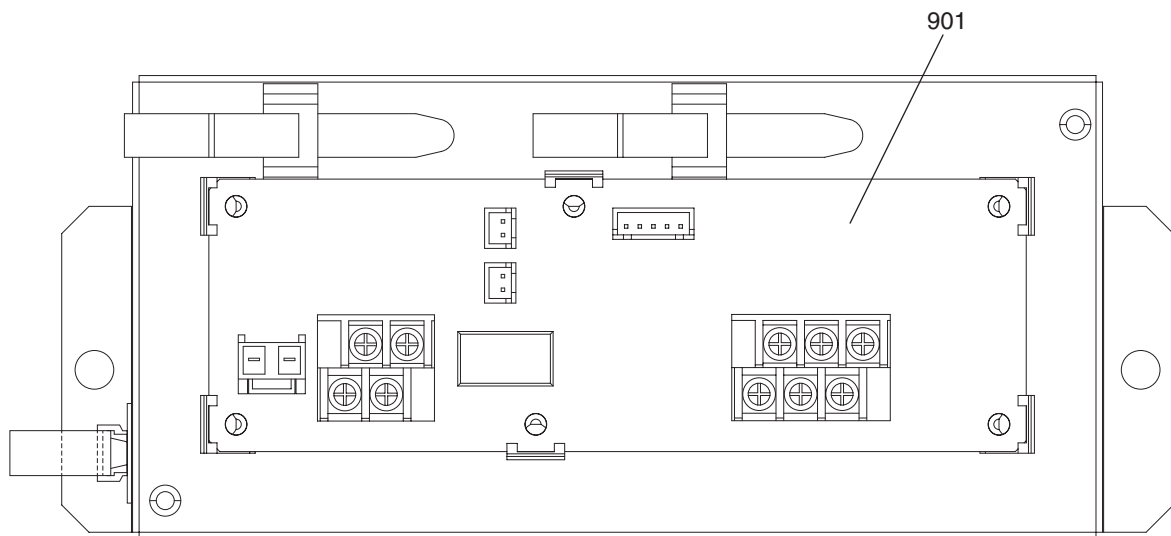
No.	Part No.	Part Name	Spec.	PQRY-P216TLMU-A2	PQRY-P240TLMU-A2					Dwg. No.	Notes for the models	Revision info.
701	R61 K52 305	Control box	WR-P216/240TLMU	1	1					KE80C890G50		
702	R61 358 280	Control board		1	1					KE80C836G13	<MAIN09>	
703	R61 385 280	INV board		1	1					KE80C837G03	<INV29C>	
704	R61 266 280	CAP board		1	1					KE80C891G01	<CAP01>	
705	R63 278 280	M-NET board		1	1					KE80C055G07	<PS-MNET-Y>	
706	R61 060 293	Noise filter	board,coil,plate	1	1					KE80C892G05		
707	R61 026 246	Terminal block		1	1					S436007H02	<TB1>	
708	R61 033 259	Reactor		1	1					KE80C893G01	<DCL>	
709	R63 670 234	Resistor		1	1					P411113X01	<R1>	
710	R61 018 239	Fuse	3.15A AC250V T	3	3					YE81D827H02		
711	R61 006 239	Fuse	6.3A AC250V T	2	2					S423001H42		
712	R61 052 260	Transformer	240V23.5V	1	1					P715563X01	<T04>	



PQRY-P72,P96,P120,P144YLMU-A2 CONTROL BOX PARTS (4)
PQRY-P168,P192,P216,P240YLMU-A2

No.	Part No.	Part Name	Spec.	PQRY-P72YLMU-A2	PQRY-P96YLMU-A2	PQRY-P120YLMU-A2	PQRY-P144YLMU-A2	PQRY-P168YLMU-A2	PQRY-P192YLMU-A2	Dwg. No.	Notes for the models	Revision info.
801	R61 K53 305	Control box	WR-P72YLMU	1						KE80G095GR3		
802	R61 K54 305	Control box	WR-P96YLMU		1					KE80G095GR4		
803	R61 K55 305	Control box	WR-P120YLMU			1				KE80G095GR5		
804	R61 K56 305	Control box	WR-P144YLMU				1			KE80G095GR6		
805	R61 K57 305	Control box	WR-P168/192YLMU					1	1	KE80G095GR7		
806	R61 K58 305	Control box	WR-P216/240YLMU							KE80G095GR8		
807	R63 371 280	Control board		1	1	1	1	1	1	KE80C836G14	<MAIN09>	
808	R61 355 280	INV board		1	1	1				KE80C154G26	<INV20Y>	
809	R61 341 280	INV board					1	1	1	KE80C154G25	<INV20Y>	
810	R61 372 280	INV board								KE80C154G27	<INV20Y>	
811	R63 278 280	M-NET board		1	1	1	1	1	1	KE80C055G07	<PS-MNET-Y>	
812	R61 021 293	Noise filter	board,coil,plate	1	1	1	1	1	1	KE80C727G06		
813	R61 N18 246	Terminal block		1	1	1	1	1	1	S436005H01	<TB1>	
814	R61 051 259	Reactor		1						KR65C337H01	<DCL>	
815	R61 017 259	Reactor			1					P715458X01	<DCL>	
816	R61 027 259	Reactor				1	1			P715476X02	<DCL>	
817	R61 028 259	Reactor						1	1	P715475X02	<DCL>	
818	R61 012 259	Reactor								P715441X02	<DCL>	
819	R61 003 216	Relay		1	1	1	1	1	1	P421295X01	<72C>	
820	R61 001 234	Resistor		2	2	2	2	2	2	P411151X01	<R1,5>	
821	R61 022 252	Capacitor assy		1	1	1	1	1	1	P412341X02	<C100>	
822	R61 018 239	Fuse	3.15A AC250V T	1	1	1	1	1	1	YE81D827H02		
823	R61 006 239	Fuse	6.3A AC250V T	1	1	1	1	1	1	S423001H42		
824	R61 009 239	Fuse	6A 600V F	2	2	2	2	2	2	S423005H08		
825	R61 052 260	Transformer	240V23.5V	1	1	1	1	1	1	P715563X01	<T04>	

No.	Part No.	Part Name	Spec.	PQRY-P216YLMU-A2	PQRY-P240YLMU-A2							Dwg. No.	Notes for the models	Revision info.
801	R61 K53 305	Control box	WR-P72YLMU									KE80G095GR3		
802	R61 K54 305	Control box	WR-P96YLMU									KE80G095GR4		
803	R61 K55 305	Control box	WR-P120YLMU									KE80G095GR5		
804	R61 K56 305	Control box	WR-P144YLMU									KE80G095GR6		
805	R61 K57 305	Control box	WR-P168/192YLMU									KE80G095GR7		
806	R61 K58 305	Control box	WR-P216/240YLMU	1	1							KE80G095GR8		
807	R63 371 280	Control board		1	1							KE80C836G14	<MAIN09>	
808	R61 355 280	INV board										KE80C154G26	<INV20Y>	
809	R61 341 280	INV board										KE80C154G25	<INV20Y>	
810	R61 372 280	INV board		1	1							KE80C154G27	<INV20Y>	
811	R63 278 280	M-NET board		1	1							KE80C055G07	<PS-MNET-Y>	
812	R61 021 293	Noise filter	board,coil,plate	1	1							KE80C727G06		
813	R61 N18 246	Terminal block		1	1							S436005H01	<TB1>	
814	R61 051 259	Reactor										KR65C337H01	<DCL>	
815	R61 017 259	Reactor										P715458X01	<DCL>	
816	R61 027 259	Reactor										P715476X02	<DCL>	
817	R61 028 259	Reactor										P715475X02	<DCL>	
818	R61 012 259	Reactor		1	1							P715441X02	<DCL>	
819	R61 003 216	Relay		1	1							P421295X01	<72C>	
820	R61 001 234	Resistor		2	2							P411151X01	<R1,5>	
821	R61 022 252	Capacitor assy		1	1							P412341X02	<C100>	
822	R61 018 239	Fuse	3.15A AC250V T	1	1							YE81D827H02		
823	R61 006 239	Fuse	6.3A AC250V T	1	1							S423001H42		
824	R61 009 239	Fuse	6A 600V F	2	2							S423005H08		
825	R61 052 260	Transformer	240V23.5V	1	1							P715563X01	<T04>	



No.	Part No.	Part Name	Spec.	PQRY-P216TLMU-A2	PQRY-P240TLMU-A2	PQRY-P72YLMU-A2	PQRY-P96YLMU-A2	PQRY-P120YLMU-A2	PQRY-P144YLMU-A2	Dwg. No.	Notes for the models	Revision info.
901	R63 273 280	I/O board		1	1	1	1	1	1	KE80C912G01	<W-I/O>	

PQRY-P72,P96,P120,P144,P168,P192,P216,P240TLMU-A2
 PQRY-P72,P96,P120,P144,P168,P192,P216,P240YLMU-A2

I/O BOX PARTS

No.	Part No.	Part Name	Spec.	PQRY-P168YLMU-A2	PQRY-P162YLMU-A2	PQRY-P216YLMU-A2	PQRY-P240YLMU-A2		Dwg. No.	Notes for the models	Revision info.
901	R63 273 280	I/O board		1	1	1	1		KE80C912G01	<W-I/O>	

mitsubishi
electric
corporation

BWE023460 (20240331)