

SERVICE PARTS LIST FOR MITSUBISHI ELECTRIC PACKAGED AIR-CONDITIONERS

Series : P Q R Y - P • T G M U - A

For use with the R410A

REVISED

May 2007

BWE0527A

INDEX

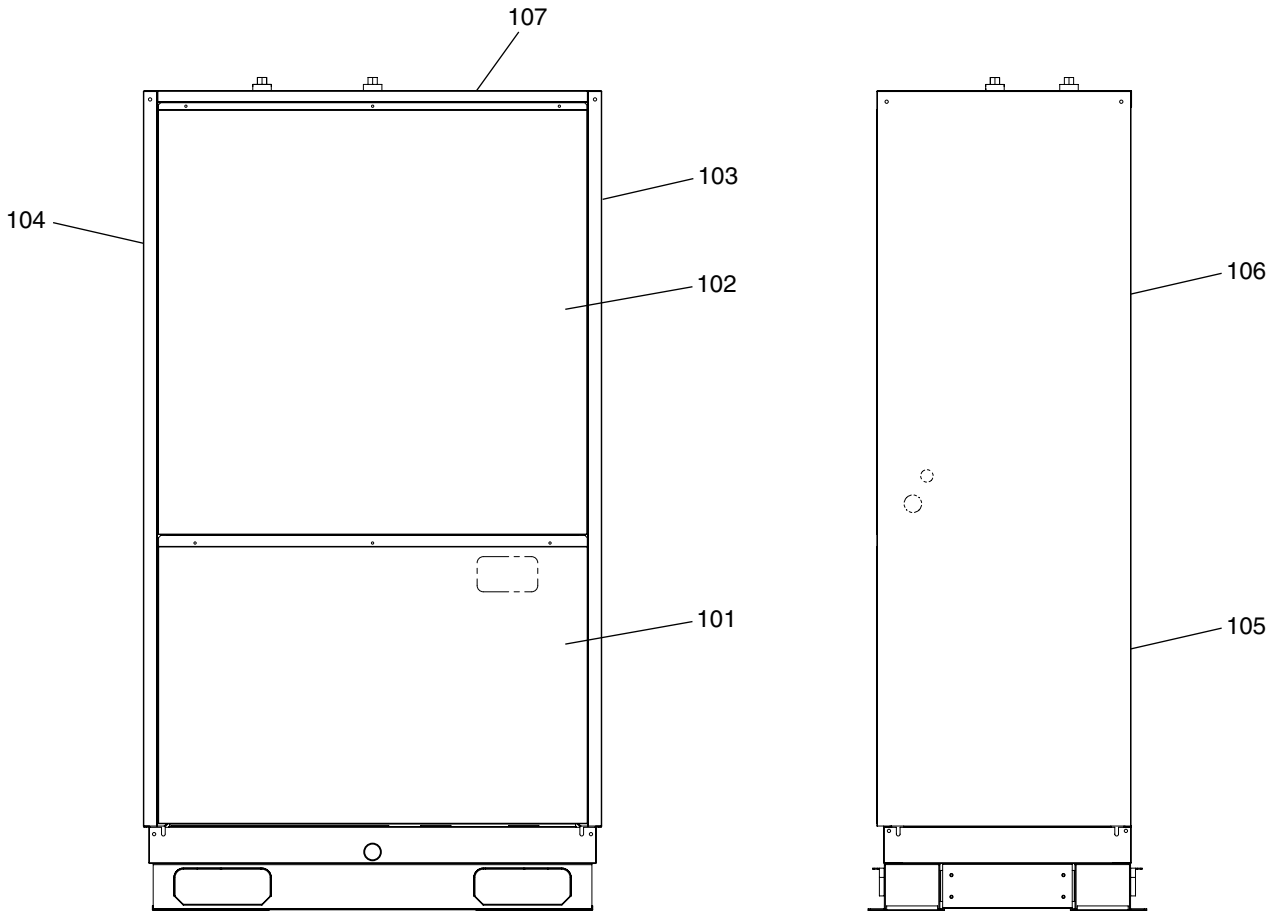
P Q R Y - P 7 2 T G M U - A

P Q R Y - P 9 6 T G M U - A

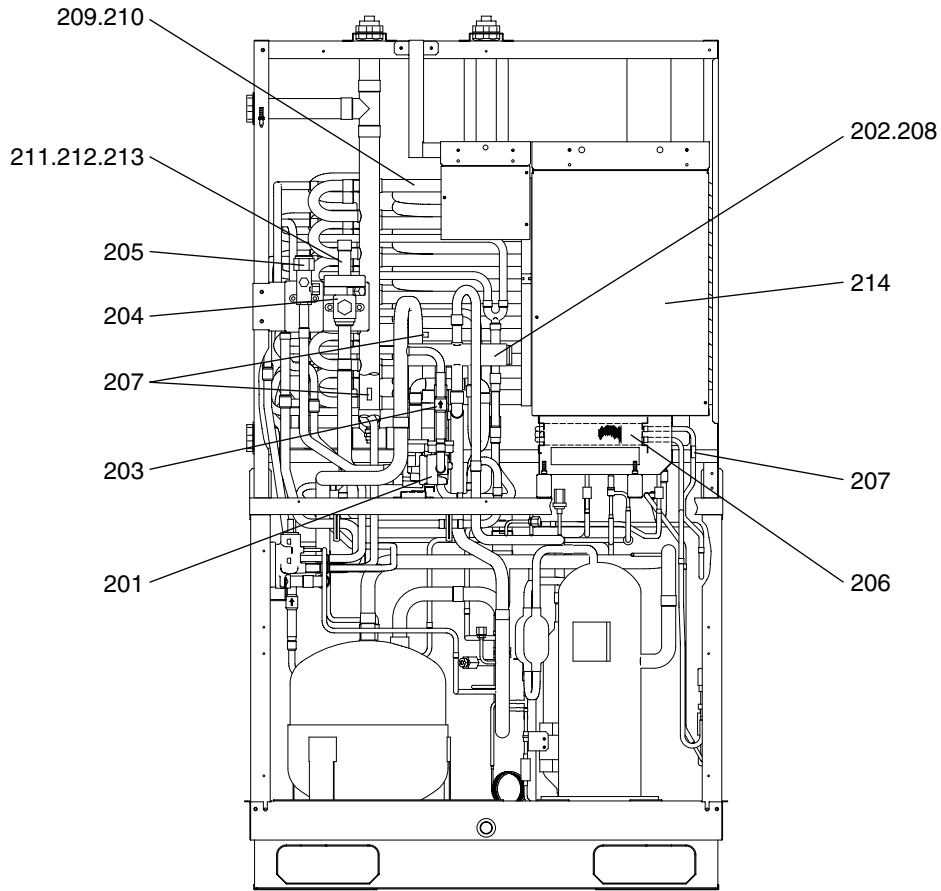


PQRY-P72TGMU-A
PQRY-P96TGMU-A

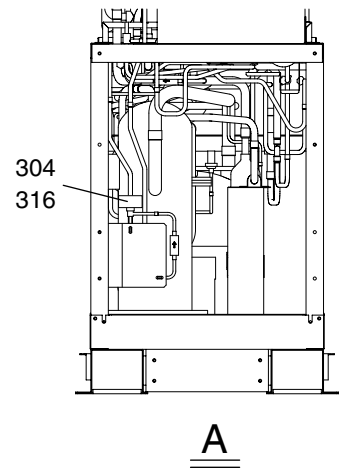
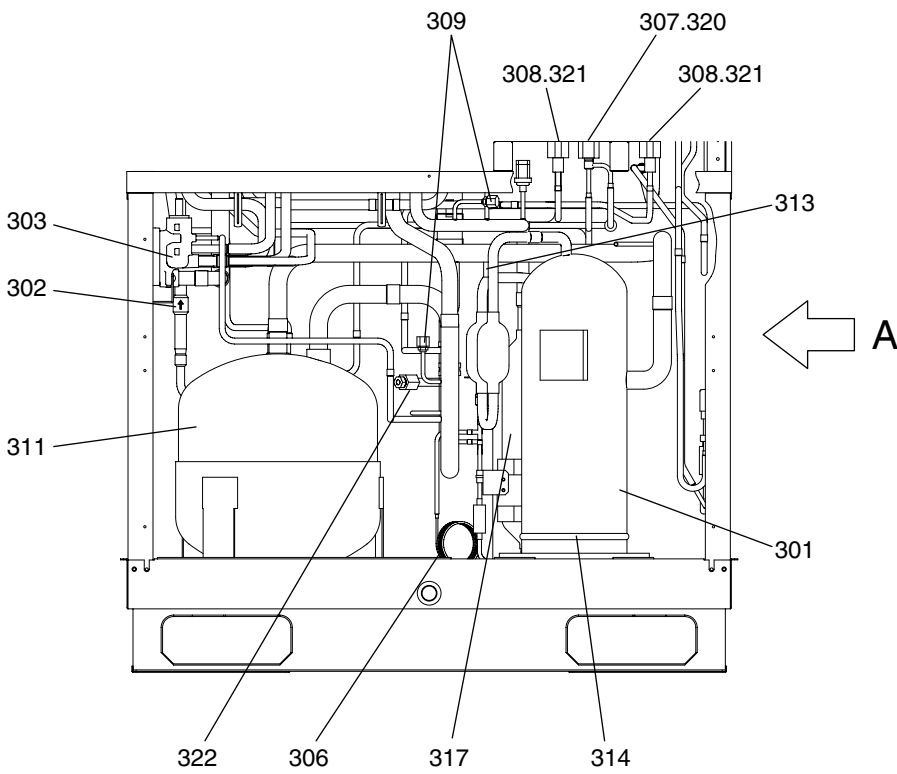
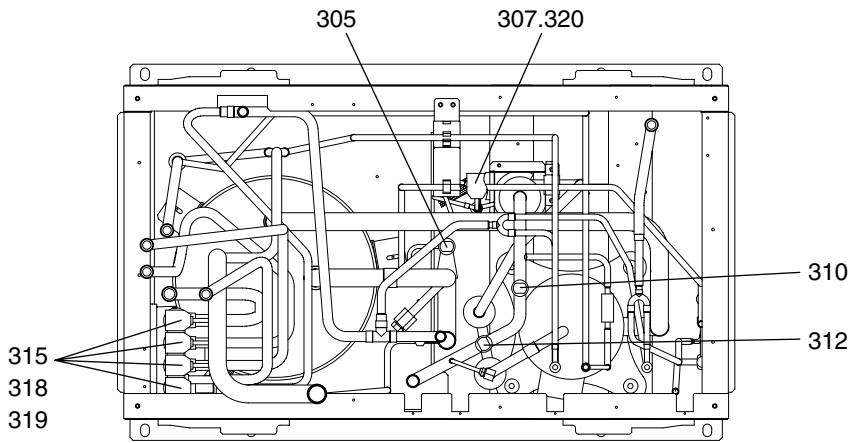
EXTERNAL PARTS



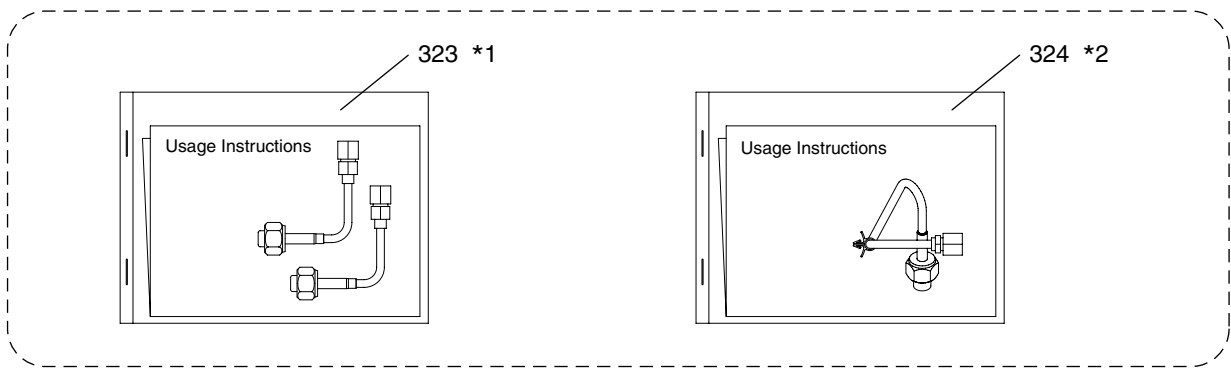
No.	Part No.	G : RoHS Apply Only W : RoHS Apply by Running Change		Spec.	-P72TGMU-A	-P96TGMU-A	Dwg. No.	Price	Revision History
			Part Name						
101	R63 4F3 651	G	Front panel 1 assy		1	1	W660979G01		A
102	R63 4F3 652	G	Front panel 2 assy		1	1	W660980G03		A
103	R63 4F3 661	G	Side panel R assy		1	1	W660977G02		A
104	R63 4F3 662	G	Side panel L assy		1	1	W660978G02		A
105	R63 4F3 678	G	Rear panel 1 assy		1	1	W660981G01		A
106	R63 4F3 676	G	Rear panel 2 assy		1	1	W660982G02		A
107	R63 4F3 642	G	Top panel		1	1	W659887H01		A



No.	Part No.	G : RoHS Apply Only W : RoHS Apply by Running Change		Spec.	-P72TGMU-A	-P96TGMU-A	Dwg. No.	Price	Revision History
			Part Name						
201	R63 6A7 418	G	Check valve assy		1	1	W276816G01		A
202	R63 Y05 154	G	Four way valve	STF-07	1	1	P633119X01		A
203	R63 R43 418	G	Check valve		1	1	P639165X01		A
204	R63 R40 410	G	Ball valve		1	1	P636309X02		A
205	R63 R34 410	G	Ball valve		1	1	P636308X01		A
206	R63 4F3 480	G	Heat exchanger		1	1	W278600G02		A
207	R63 670 202	G	Thermistor	NTH3A14 <TH6,INV,TH9>	3	3	P425496X01		A
208	R61 Y21 243	W	Four way valve coil	<21S4a>	1	1	P472028X01		
209	R63 4F3 481	G	Heat exchanger assy		1		W277980G04		A
210	R63 4F4 481	G	Heat exchanger assy			1	W277323G04		A
211	R63 0G9 441	G	Pipe assy		1		W663334G01		A
212	R63 9F2 441	G	Pipe assy			1	W663334G02		A
213	R61 F14 514	G	Packing		1	1	P321009X01		
214	R61 Y53 305	W	Control box	W-P72-96	1	1	W278122G04		



ACCESSORY (ADAPTER)



*1. This product is an adapter that allows the use of tools designed for use with 1/4"-diameter materials with the low-pressure pipes and 5/16"-diameter charge plugs on the 2 ball valves on the unit body.

*2. This product is an adapter that allows the use of tools designed for use with 1/4"-diameter materials with the 5/16"-diameter check joint of the unit body on high-pressure side.

No.	Part No.	G : RoHS Apply Only W : RoHS Apply by Running Change		Spec.	-P72TGMU-A	-P96TGMU-A		Dwg. No.	Price	Revision History
			Part Name							
301	R69 A39 478	W	Scroll compressor	HNB71FA-BU <MC>	1	1		EP10092G11		
302	R63 R43 418	G	Check valve		1	1		P639165X01		A
303	R63 6A7 232	G	Solenoid valve assy		1	1		W654369G02		A
304	R63 R34 401	G	Linear expansion valve	CAM35	1	1		P632416X01		
305	R63 R37 288	G	Pressure sensor	<63LS>	1	1		P418014X01		A
306	R63 R34 425	G	Capillary tube assy		1	1		W905625G02		A
307	R61 021 232		Solenoid valve	<SV1,SV7c>	2	2		KB00H253G01		A
308	R63 4F3 232	G	Solenoid valve	<SV7a,SV7b>	2	2		P631290X01		
309	R63 R34 413	G	Check joint		2	2		P666001X01		A
310	R63 R34 288	G	Pressure sensor	<63HS>	1	1		P418015X01		A
311	R63 Y53 484	G	Accumulator assy		1	1		W274166G09		A
312	R63 Y11 208	G	Pressure switch	<63H>	1	1		P426320X01		A
313	R63 911 202	G	Thermistor	<TH11>	1	1		P425416X02		A
314	R61 Y10 236	W	Crank case heater 20	<CH1>	1	1		P497020X01		
315	R61 6A7 243	W	Solenoid valve coil	<SV4a-4d>	4	4		P472010X01		
316	R63 4F3 401	G	Solenoid valve coil	<LEV2>	1	1		P472026X02		A
317	R63 4F3 487	G	Oil separator assy		1	1		W661800G03		A
318	R63 6A7 235	G	Solenoid valve ACS		4	4		P631285X01		
319	R63 6A7 245	G	SV socket wrench		1	1		W909209G01		A
320	R61 008 243		Solenoid valve coil	<SV1,SV7c>	2	2		W875295G10		A
321	R61 6A7 243	W	Solenoid valve coil	<SV7a,SV7b>	2	2		P472010X01		
322	R11 707 890	W	Fusible plug		1	1		P649019X01		
323	R61 Y04 490	W	Accessory (ADAPTER)		1	1		W915733G01		
324	R61 Y02 619	W	Accessory (ADAPTER)		1	1		W917186G01		

PQRY-P72TGMU-A
PQRY-P96TGMU-A

CONTROL BOX PARTS

