

# SERVICE PARTS LIST FOR MITSUBISHI ELECTRIC PACKAGED AIR-CONDITIONERS

Series : PQRV-P·ZKMU-A

REVISED

Nov. 2019

BWE01321C

## INDEX

PQRV-P72ZKMU-A  
PQRV-P96ZKMU-A  
PQRV-P120ZKMU-A

## The Package name list

PQRV-P144ZSKMU-A	[PQRV-P72ZKMU-A+PQRV-P72ZKMU-A]
PQRV-P168ZSKMU-A	[PQRV-P72ZKMU-A+PQRV-P96ZKMU-A]
PQRV-P192ZSKMU-A	[PQRV-P96ZKMU-A+PQRV-P96ZKMU-A]
PQRV-P216ZSKMU-A	[PQRV-P96ZKMU-A+PQRV-P120ZKMU-A]
PQRV-P240ZSKMU-A	[PQRV-P120ZKMU-A+PQRV-P120ZKMU-A]

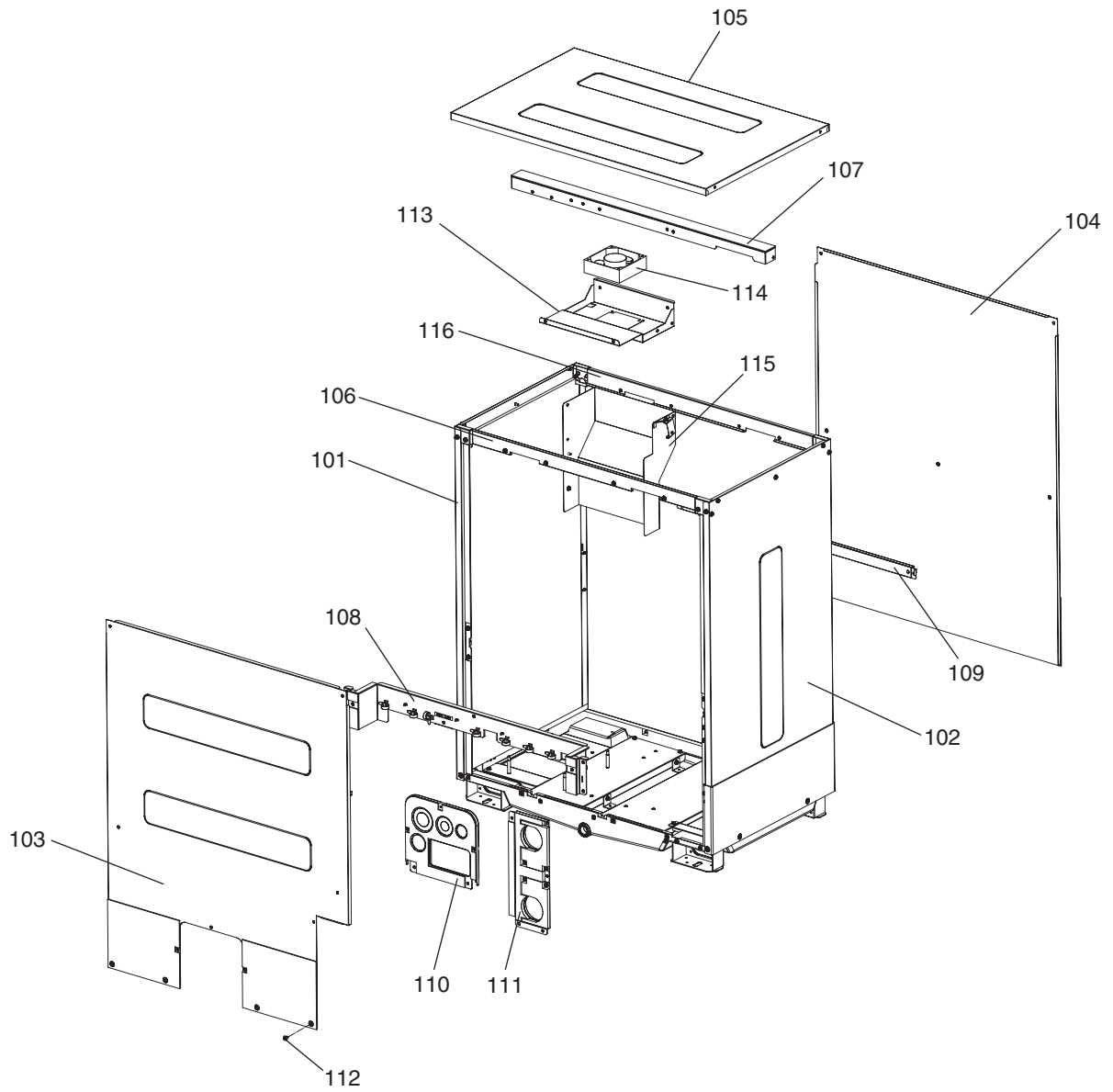
Part information update day : 2019/10/28

Please change the old catalog (issued June 2019, No.BWE01321B) to this new catalog.  
Content of revision : Some of parts are changed.



PQRY-P72ZKMU-A  
PQRY-P96ZKMU-A  
PQRY-P120ZKMU-A

## EXTERNAL PARTS



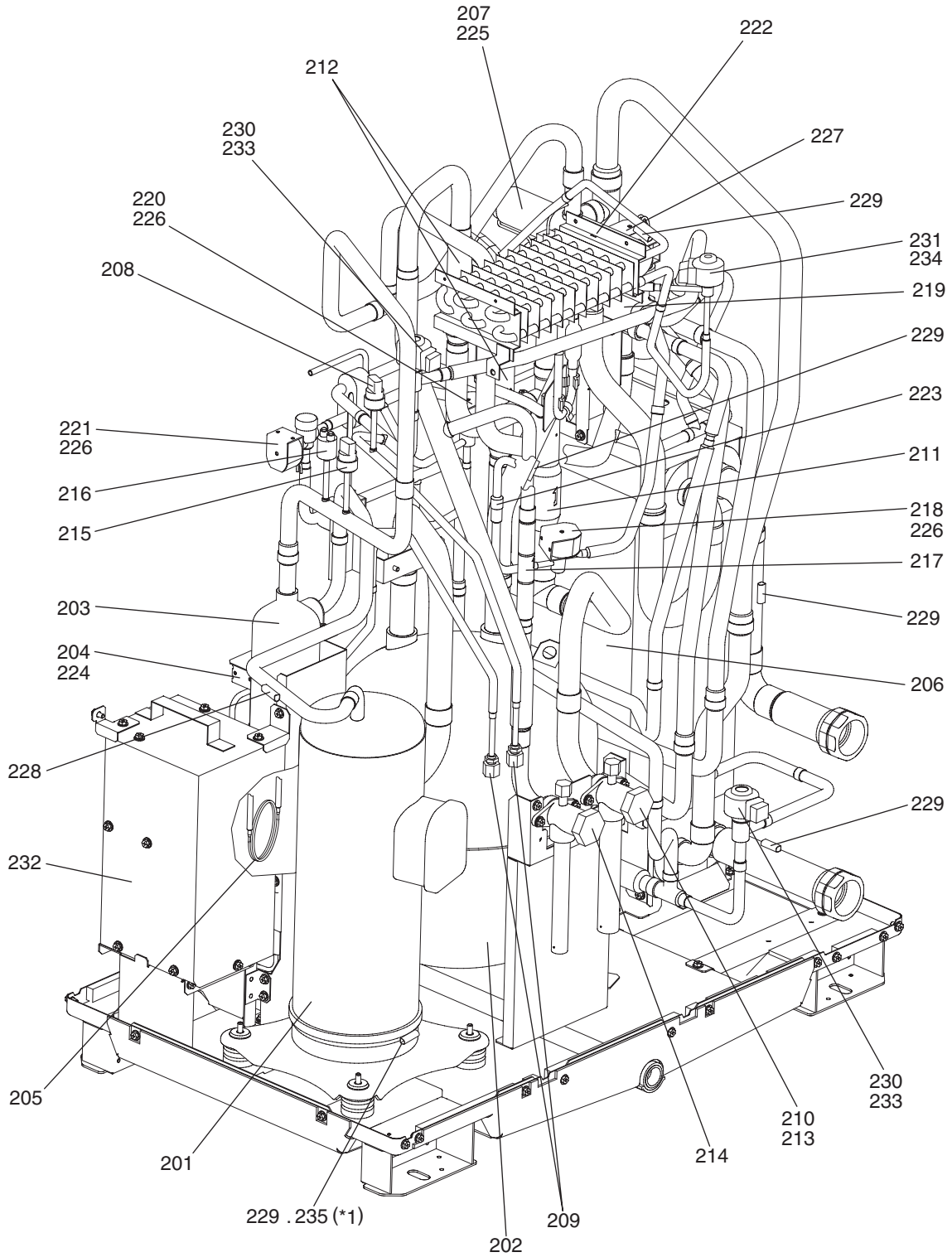
PQRY-P72ZKMU-A  
 PQRY-P96ZKMU-A  
 PQRY-P120ZKMU-A

EXTERNAL PARTS

No.	Part No.	Part Name	Spec.	PQRY-P72ZKMU-A	PQRY-P96ZKMU-A	PQRY-P120ZKMU-A			Dwg. No.	Notes for the models	Revision info.
101	R61 173 662	Panel assy L		1	1	1			KJ00G340G05		
102	R63 141 662	Panel assy R		1	1	1			KJ00G342G04		
103	R61 142 662	Panel assy F		1	1	1			KJ00G373G02		
104	R61 143 662	Panel assy B		1	1	1			KJ00G374G02		
105	R61 144 662	Panel T		1	1	1			KJ02G221H02		
106	R61 101 162	Frame FU		1	1	1			KJ02G377H01		
107	R63 102 162	Frame assy U		1	1	1			KD00M398G02		
108	R61 103 162	Frame assy M		1	1	1			KD00M281G01		
109	R61 104 162	Frame assy MB		1	1	1			KD00M399G01		
110	R61 145 690	Piping cover		1	1	1			KD00M400G01		
111	R61 145 662	Panel assy W		1	1	1			KD00M376G01		
112	R61 048 087	H Screw	5 x 10 KNURLED (30pcs)	3	3	3			KB00H418G14		
113	R61 042 128	Attachment fan		1	1	1			KJ00G408G02		
114	R63 Y02 300	Fan	109S025UL	1	1	1			P712360X01		
115	R61 041 457	Duct		1	1	1			KJ00G684G02		
116	R63 123 162	Frame FR		1	1	1			KJ00D387G01		

PQRY-P72ZKMU-A  
 PQRY-P96ZKMU-A  
 PQRY-P120ZKMU-A

## FUNCTIONAL PARTS

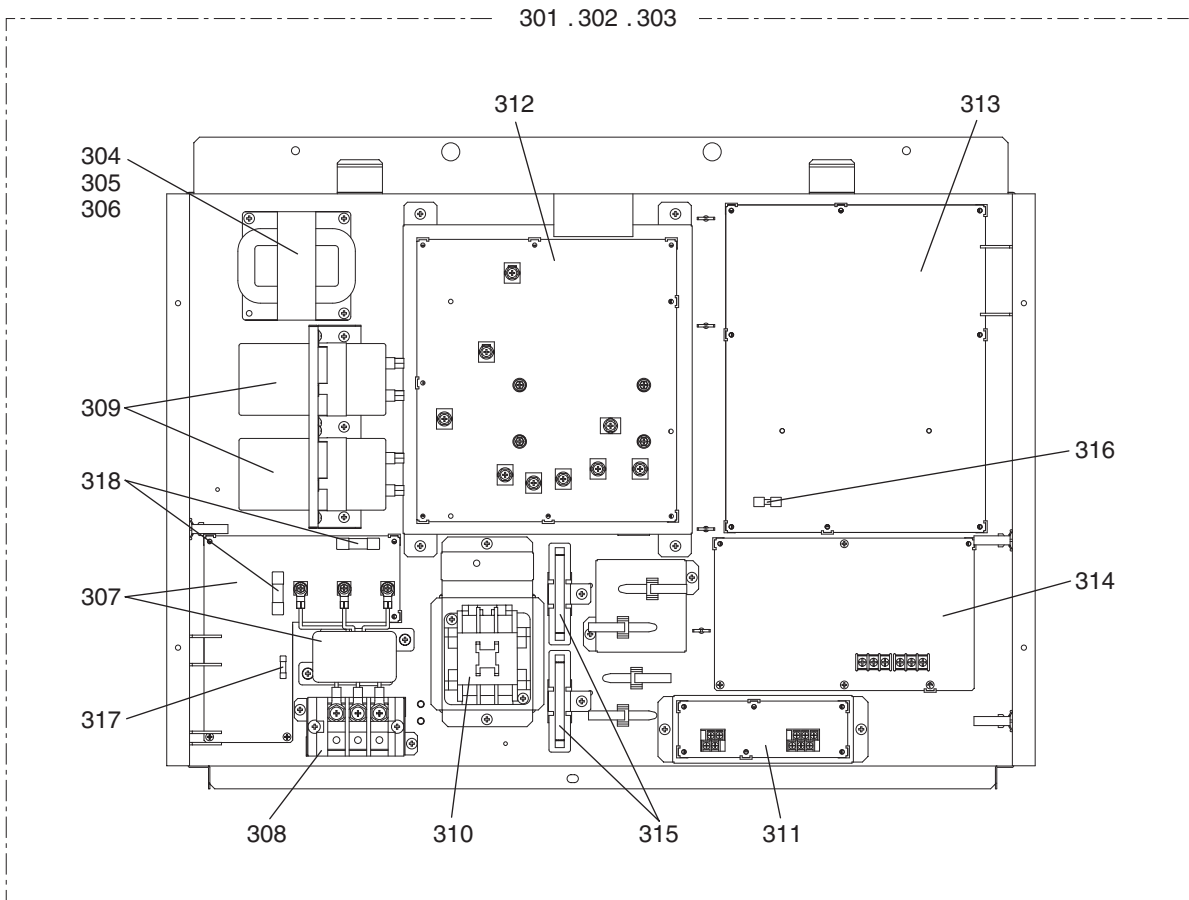


\*1 If the label "Equipped with liquid level detection" is not attached on the front panel, order the "Sensor kit" (part number 235).  
 If it is attached, order the "Thermistor" (part number 229).

No.	Part No.	Part Name	Spec.	PQRY-P72ZKMU-A	PQRY-P96ZKMU-A	PQRY-P120ZKMU-A				Dwg. No.	Notes for the models	Revision info.
201	R69 199 478	Scroll compressor	ENB62FB3-YE	1	1	1				EP10132B23		Chg.
202	R63 127 484	Accumulator assy		1	1	1				KB00M867G24		
203	R61 043 487	Oil separator assy		1	1	1				KJ00G166G01		
204	R63 046 232	Solenoid valve	FDF2A77	1	1	1				P631312X01	<SV1a>	
205	R63 002 425	Capillary tube assy		1	1	1				KB49F229G01	<CP1>	
206	R61 853 480	Heat exchanger assy	(Water-side)	1	1	1				KJ00G172G01		
207	R63 Y05 154	Four way valve	STF-0731G	1	1	1				P633119X01	<21S4a>	
208	R63 058 288	Pressure sensor	LP D173	1	1	1				KB00M867G11	<63LS>	
209	R63 S84 413	Check joint		2	2	2				P666002X01	<CJ1,CJ2>	
210	R61 025 538	Valve	VSAMH8SSCM-LA1	1	1	1				P636353X01	<BV1>	Chg.
211	R61 065 418	Check valve	YBV-22Y9GMD-2	1	1	1				P639183X02	<CV2a>	
212	R61 072 418	Check valve	LCVP15-7M	2	2	2				P639218X02	<CV3a,CV5a>	
213	R61 008 454	Strainer	25.4D	1	1	1				KB48K250G01	<ST1>	
214	R61 006 538	Valve	VSAMH6SSCM-LA1	1	1	1				P636352X01	<BV2>	
215	R63 059 288	Pressure sensor	HP D173	1	1	1				KB00M867G10	<63HS1>	
216	R61 056 208	Pressure switch	ACB-1UB28W	1	1	1				P426320X02	<63H1>	
217	R61 005 418	Check valve	YAV-P11Y5HMD-1	1	1	1				P633133X01	<CV6a>	
218	R63 027 232	Solenoid valve	VPV-L202D	1	1	1				P631296X01	<SV9>	
219	R61 038 232	Solenoid valve block	3SV	1	1	1				KB00T028G03		
220	R63 001 921	Solenoid valve	VPV-603DQ3	1	1	1				P631295X01	<SV7a>	
221	R61 040 232	Solenoid valve	VPV-803DQ50	1	1	1				P631300X01	<SV7b>	
222	R61 854 480	INV heat exchanger assy		1	1	1				KJ00G171G01		
223	R61 012 454	Strainer		1	1	1				KB48S298G01	<ST18>	
224	R61 029 243	Solenoid valve coil	FQ-D808	1	1	1				P472086X01	<SV1a>	
225	R61 Y21 243	Solenoid valve coil	STF-01AQ505UA1	1	1	1				P472028X01	<21S4a>	
226	R61 011 243	Solenoid valve coil	VPV-MOAQ540UA1	3	3	3				P472047X01	<SV7a,SV7b,SV9>	
227	R63 6A7 243	Solenoid valve coil	A20-1B02B-1	3	3	3				P472010X01	<SV4a,SV4b,SV4d>	
228	R63 911 202	Thermistor		1	1	1				P425416X02	<TH4>	
229	R61 060 200	Thermistor		5	5	5				P418065X01	<TH5,TH7,TH8,TH15,TH1N> *1	
230	R61 022 243	Linear expansion valve coil	PAM-MD12MD-3	2	2	2				P472061X02	<LEV6,LEV7>	
231	R61 024 401	Linear expansion valve coil	CAM-MD12MD-116	1	1	1				P472054X02	<LEVINV>	
232	R61 036 260	Transformer assy		1	1	1				KB00M867G12		
233	R61 107 401	Linear expansion valve	PAM-BBOYGMD-2	2	2	2				KR50C486H01	<LEV6,LEV7>	
234	R63 R34 401	Linear expansion valve	CAM-B35YGMD-2	1	1	1				P632416X01	<LEVINV>	
235	R61 064 287	Sensor kit		1	1	1				KJ00M319G01	*1	

PQRY-P72ZKMU-A  
PQRY-P96ZKMU-A  
PQRY-P120ZKMU-A

## CONTROL BOX PARTS



No.	Part No.	Part Name	Spec.	PQRY-P72ZKMU-A	PQRY-P96ZKMU-A	PQRY-P120ZKMU-A				Dwg. No.	Notes for the models	Revision info.
301	R61 546 305	Control box	WR72ZK	1						KE80C923G04		
302	R61 547 305	Control box	WR96ZK		1					KE80C923G05		
303	R61 548 305	Control box	WR120ZK			1				KE80C923G06		
304	R61 034 259	Reactor		1						P715514X01	<DCL>	
305	R61 035 259	Reactor			1					P715513X01	<DCL>	
306	R61 036 259	Reactor				1				P715512X01	<DCL>	
307	R61 030 293	Noise filter	board,coil	1	1	1				KE80C925G01		
308	R61 N18 246	Terminal block		1	1	1				S436005H01	<TB1>	
309	R61 009 252	Capacitor assy		1	1	1				KE00C900G02	<C1,C2>	
310	R61 Y41 225	Magnetic contactor		1	1	1				S427020H29	<52C>	
311	R63 273 280	I/O board		1	1	1				KE80C912G01	<W-I/O>	
312	R61 275 280	INV board		1	1	1				KE80C924G01	<INV22Y>	
313	R61 277 280	Control board		1	1	1				KE80C836G03	<MAIN09>	
314	R63 278 280	M-NET board		1	1	1				KE80C055G07	<PS-MNET-Y>	
315	R61 001 234	Resistor		2	2	2				P411151X01	<R1,R5>	
316	R61 005 239	Fuse	3.15A AC250V T	1	1	1				S423001H39		
317	R61 006 239	Fuse	6.3A AC250V T	1	1	1				S423001H42		
318	R61 009 239	Fuse	6A AC600V F	2	2	2				S423005H08		

**mitsubishi**  
**MITSUBISHI ELECTRIC CORPORATION**

---

BWE01321C (20191130)