

SERVICE PARTS LIST FOR MITSUBISHI ELECTRIC PACKAGED AIR-CONDITIONERS

Series : PQRV-P•ZLMU-A1

REVISED

Nov. 2019

BWE01706B

INDEX

PQRV-P72ZLMU-A1
PQRV-P96ZLMU-A1
PQRV-P120ZLMU-A1
PQRV-P144ZLMU-A1
PQRV-P168ZLMU-A1
PQRV-P192ZLMU-A1

The Package name list

PQRV-P144ZSLMU-A1	[PQRV-P72ZLMU-A1+PQRV-P72ZLMU-A1]
PQRV-P168ZSLMU-A1	[PQRV-P72ZLMU-A1+PQRV-P96ZLMU-A1]
PQRV-P192ZSLMU-A1	[PQRV-P96ZLMU-A1+PQRV-P96ZLMU-A1]
PQRV-P216ZSLMU-A1	[PQRV-P96ZLMU-A1+PQRV-P120ZLMU-A1]
PQRV-P240ZSLMU-A1	[PQRV-P120ZLMU-A1+PQRV-P120ZLMU-A1]
PQRV-P288ZSLMU-A1	[PQRV-P144ZLMU-A1+PQRV-P144ZLMU-A1]
PQRV-P312ZSLMU-A1	[PQRV-P144ZLMU-A1+PQRV-P168ZLMU-A1]
PQRV-P336ZSLMU-A1	[PQRV-P168ZLMU-A1+PQRV-P168ZLMU-A1]

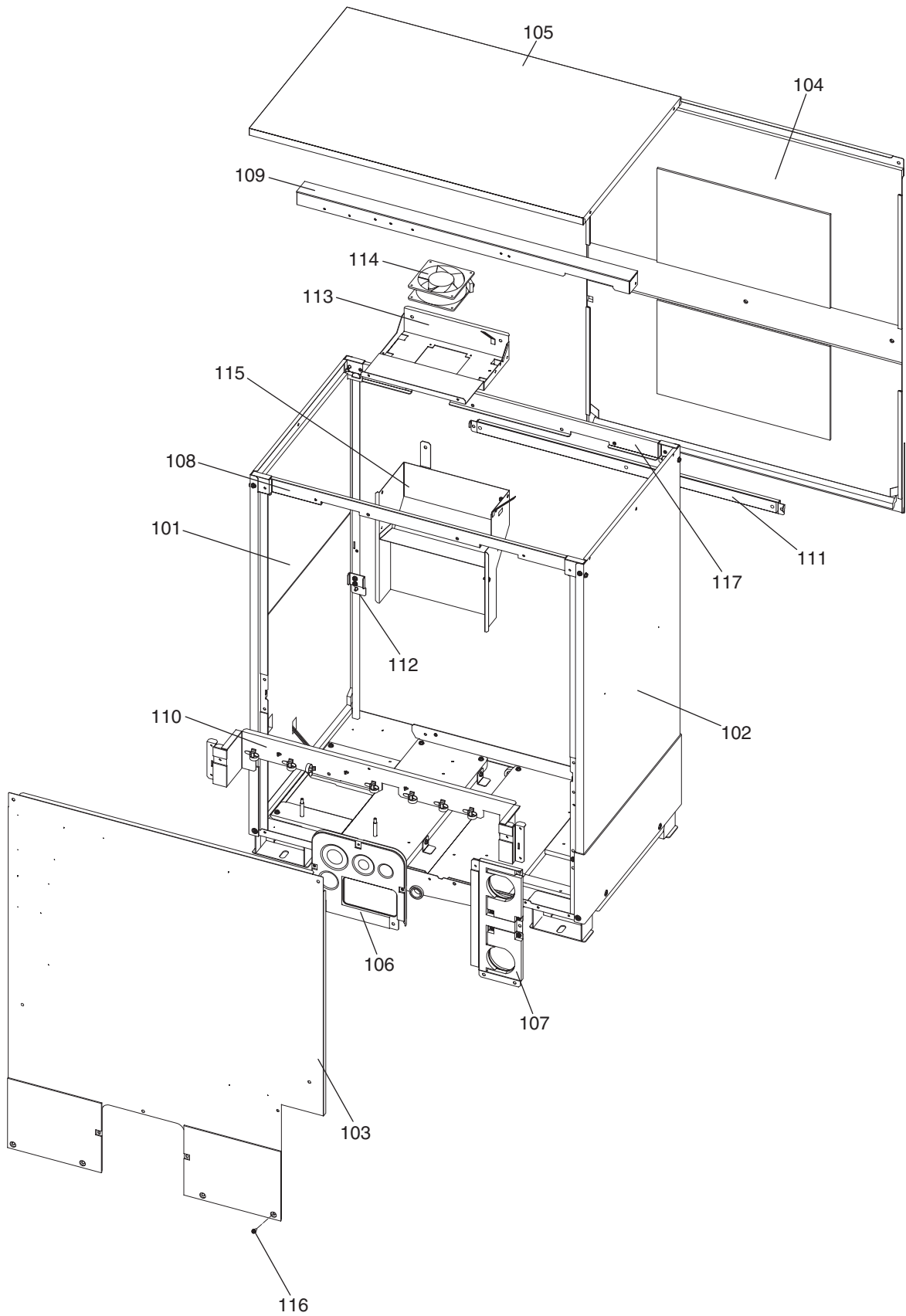
Part information update day : 2019/10/28



Please change the old catalog (issued June 2019, No.BWE01706A) to this new catalog.
Content of revision : Some of parts are changed.

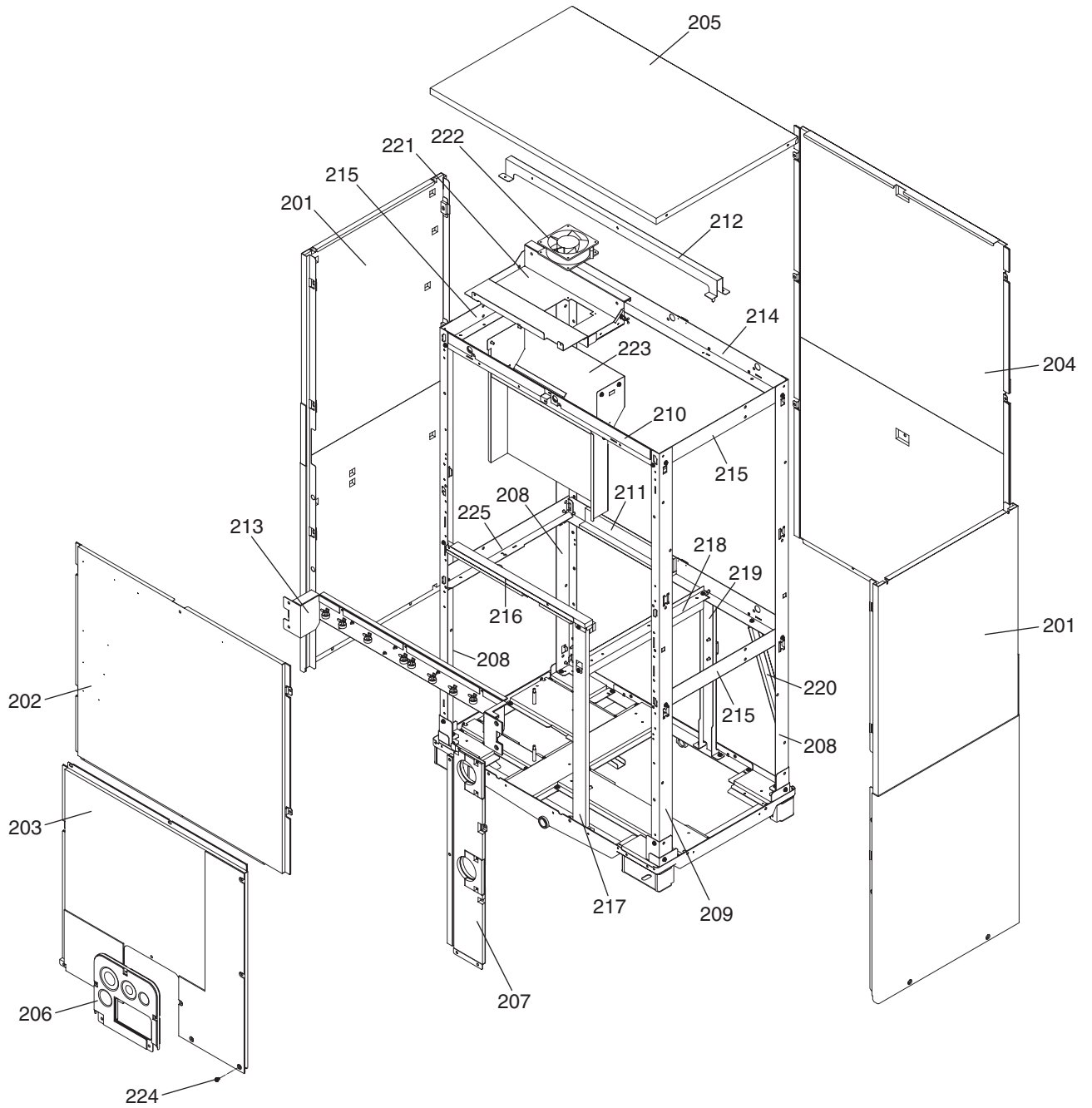
PQRY-P72ZLMU-A1
PQRY-P96ZLMU-A1
PQRY-P120ZLMU-A1

EXTERNAL PARTS (1)



PQRY-P144ZLMU-A1
PQRY-P168ZLMU-A1
PQRY-P192ZLMU-A1

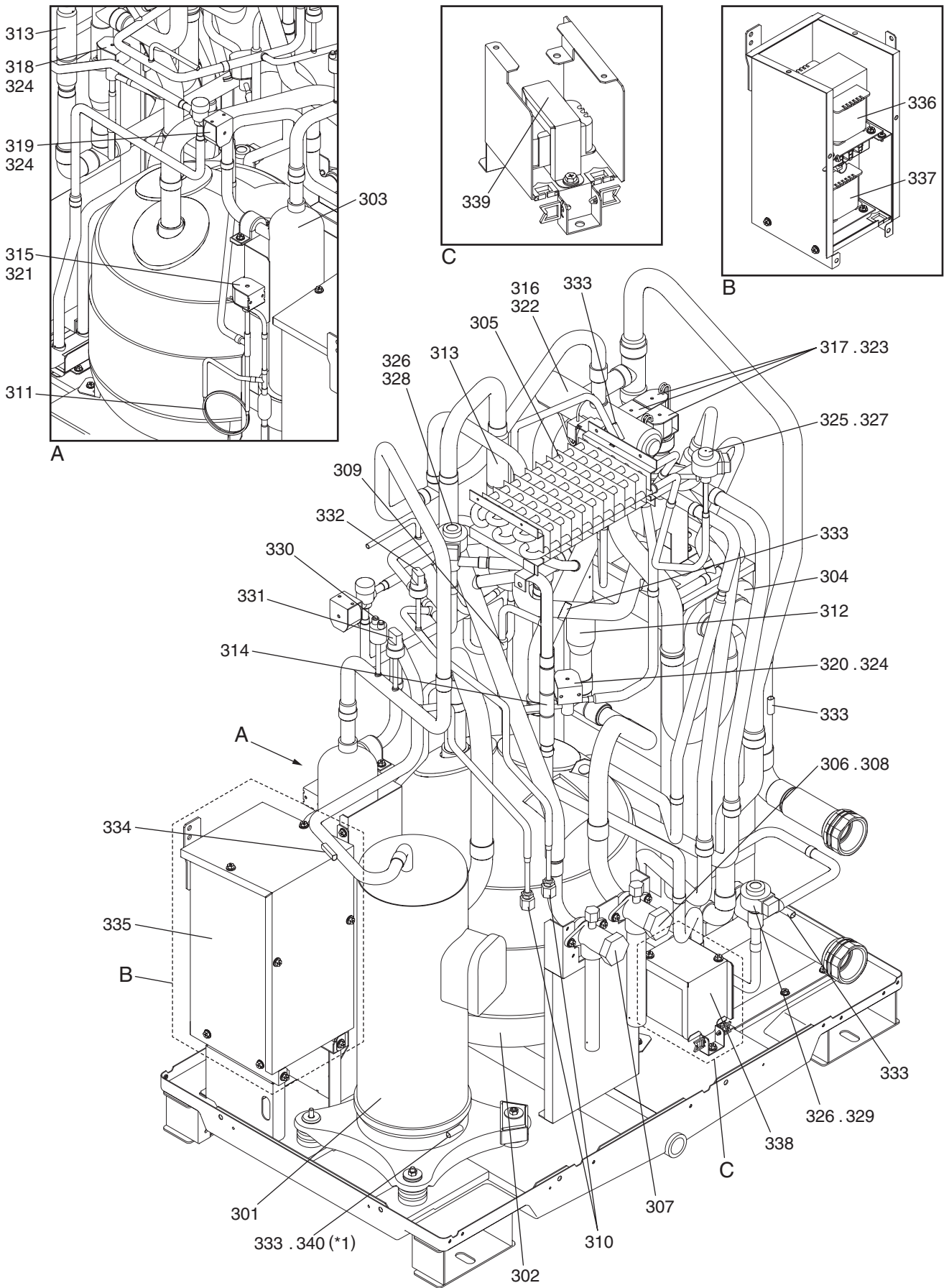
EXTERNAL PARTS (2)



No.	Part No.	Part Name	Spec.	PQRY-P144ZLMU-A1	PQRY-P168ZLMU-A1	PQRY-P192ZLMU-A1	Dwg. No.	Notes for the models	Revision info.
201	R61 278 651	Panel assy LR		2	2	2	KJ00T103G02		
202	R61 348 651	Panel assy FU		1	1	1	KS00L137G01		
203	R61 291 651	Panel assy FB		1	1	1	KJ00T102G01		
204	R61 292 651	Panel assy B		1	1	1	KJ00T104G03		
205	R61 349 651	Panel assy T		1	1	1	KS00L134G01		
206	R61 145 690	Piping cover		1	1	1	KD00M400G01		
207	R63 294 651	Panel assy W		1	1	1	KB00M867G17		
208	R61 069 626	Pillar	Main	3	3	3	KB02V753H07		
209	R61 042 626	Pillar assy	Main	1	1	1	KJ00T627G07		
210	R61 111 162	Frame assy HF		1	1	1	KD00U723G01		
211	R61 112 162	Frame assy HB		1	1	1	KD00U724G01		
212	R61 113 162	Frame	Duct support	1	1	1	KJ02R943H01		
213	R61 126 162	Frame assy M		1	1	1	KS00G442G01		
214	R61 115 162	Frame assy H		1	1	1	KJ00T520G01		
215	R61 116 162	Frame side		3	3	3	KJ02R938H03		
216	R61 120 162	Frame assy HF		1	1	1	KJ00T628G05		
217	R61 038 626	Pillar	HEX support F	1	1	1	KJ02R940H01		
218	R61 121 162	Frame	HEX base	1	1	1	KD00U917G01		
219	R61 039 626	Pillar assy	HEX support	1	1	1	KD00U716G01		
220	R61 064 668	Frame support		1	1	1	KJ02T626H01		
221	R61 043 128	Attachment fan		1	1	1	KS00G439G01		
222	R63 Y02 300	Fan	109S025UL	1	1	1	P712360X01		
223	R61 047 457	Duct		1	1	1	KS00G446G01		
224	R61 048 087	H Screw	5 x 10 KNURLED (30pcs)	3	3	3	KB00H418G14		
225	R61 122 162	Frame side		1	1	1	KD00U927G03		

PQRY-P72ZLMU-A1
 PQRY-P96ZLMU-A1
 PQRY-P120ZLMU-A1

FUNCTIONAL PARTS (1)

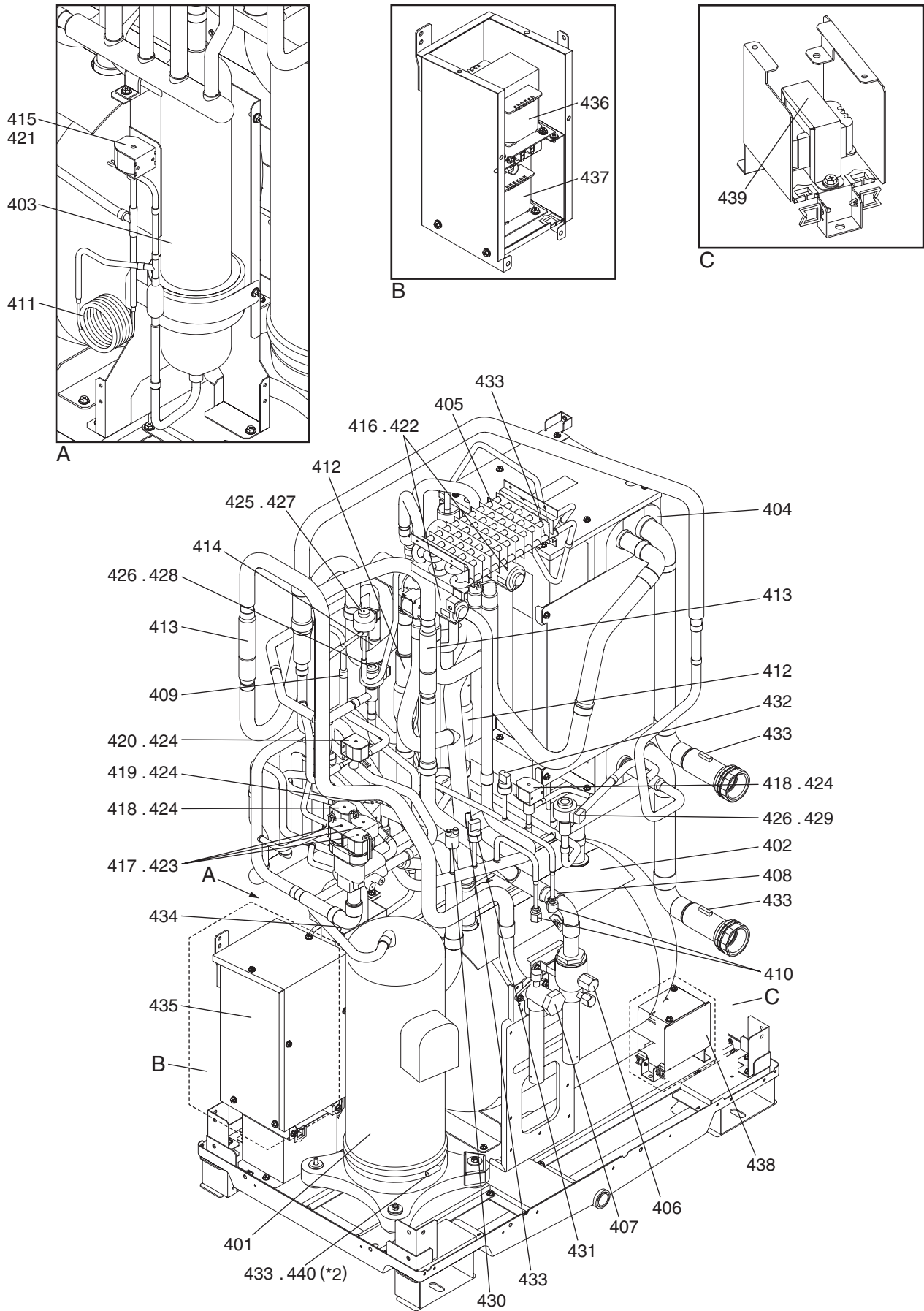


*1 If the label "Equipped with liquid level detection" is not attached on the front panel, order the "Sensor kit S" (part number 340).
 If it is attached, order the "Thermistor" (part number 333).

No.	Part No.	Part Name	Spec.	PQRY-P72ZLMU-A1	PQRY-P96ZLMU-A1	PQRY-P120ZLMU-A1				Dwg. No.	Notes for the models	Revision info.
301	R69 199 478	Scroll compressor	ENB62FB3-YE	1	1	1				EP10132B23		Chg.
302	R63 127 484	Accumulator assy		1	1	1				KB00M867G24		
303	R61 048 487	Oil separator assy		1	1	1				KJ00T811G01		
304	R61 987 480	Heat exchanger assy	Water-side	1	1	1				KS00C176G03		
305	R61 928 480	INV heat exchanger assy		1	1	1				KJ00T636G01		
306	R61 025 538	Valve	VSAMH8SSCM-LA1	1	1	1				P636353X01	<BV1>	Chg.
307	R61 006 538	Valve	VSAMH6SSCM-LA1	1	1	1				P636352X01	<BV2>	
308	R61 008 454	Strainer	25.4D	1	1	1				KB48K250G01	<ST1>	
309	R61 012 454	Strainer	12.5D	1	1	1				KB48S298G01	<ST18>	
310	R63 S84 413	Check joint		2	2	2				P666002X01	<CJ1,CJ2>	
311	R63 002 425	Capillary tube assy		1	1	1				KB49F229G01	<CP1>	
312	R61 065 418	Check valve	YBV-22Y9GMD-2	1	1	1				P639183X02	<CV2a>	
313	R61 072 418	Check valve	LCVP15-7M	2	2	2				P639218X02	<CV3a,CV5a>	
314	R61 005 418	Check valve	YAV-P11Y5HMD-1	1	1	1				P633133X01	<CV6a>	
315	R63 046 232	Solenoid valve	FDFA2A77	1	1	1				P631312X01	<SV1a>	
316	R61 013 403	Four way valve	STF-H0731	1	1	1				P633130X01	<21S4a>	
317	R61 038 232	Solenoid valve block		1	1	1				KB00T028G03		
318	R63 001 921	Solenoid valve	VPV-603DQ3	1	1	1				P631295X01	<SV7a>	
319	R61 040 232	Solenoid valve	VPV-803DQ50	1	1	1				P631300X01	<SV7b>	
320	R63 027 232	Solenoid valve	VPV-L202D	1	1	1				P631296X01	<SV9>	
321	R61 029 243	Solenoid valve coil	FQ-D808	1	1	1				P472086X01	<SV1a>	
322	R61 040 243	Solenoid valve coil	STF-H01AQ1969UA1	1	1	1				P472095X01	<21S4a>	
323	R63 6A7 243	Solenoid valve coil	A20-1B02B-1	3	3	3				P472010X01	<SV4a,SV4b,SV4d>	
324	R61 011 243	Solenoid valve coil	VPV-MOQA540UA1	3	3	3				P472047X01	<SV7a,SV7b,SV9>	
325	R63 R34 401	Linear expansion valve	CAM-B35YGMD-2	1	1	1				P632416X01	<LEVINV>	
326	R61 107 401	Linear expansion valve	PAM-BBOYGMD-2	2	2	2				KR50C486H01	<LEV6,LEV7>	
327	R61 024 401	Linear expansion valve coil	CAM-MD12MD-116	1	1	1				P472054X02	<LEVINV>	
328	R61 022 243	Linear expansion valve coil	PAM-MD12MD-3	1	1	1				P472061X02	<LEV6>	
329	R61 093 401	Linear expansion valve coil	PAM-MD12MD-9	1	1	1				P472091X01	<LEV7>	
330	R61 056 208	Pressure switch	ACB-1UB28W	1	1	1				P426320X02	<63H1>	
331	R63 059 288	Pressure sensor	HP D173	1	1	1				KB00M867G10	<63HS1>	
332	R63 058 288	Pressure sensor	LP D173	1	1	1				KB00M867G11	<63LS>	
333	R61 060 200	Thermistor	150-522-96001	5	5	5				P418065X01	<TH5,TH7,TH8,TH15,THINV> *1	
334	R63 911 202	Thermistor	158-204-97484	1	1	1				P425416X02	<TH4>	
335	R61 046 260	Transformer assy		1	1	1				KB00M867G28		
336	R61 048 260	Transformer	575V/230V	1	1	1				P715510X01	<T02>	
337	R61 045 260	Transformer	575V/230V	1	1	1				P715511X02	<T03>	
338	R61 053 260	Transformer assy		1	1	1				KB00M867G38		
339	R61 052 260	Transformer	240V/23.5V	1	1	1				P715563X01	<T04>	
340	R61 065 287	Sensor kit S		1	1	1				KJ00M319G04	*1	

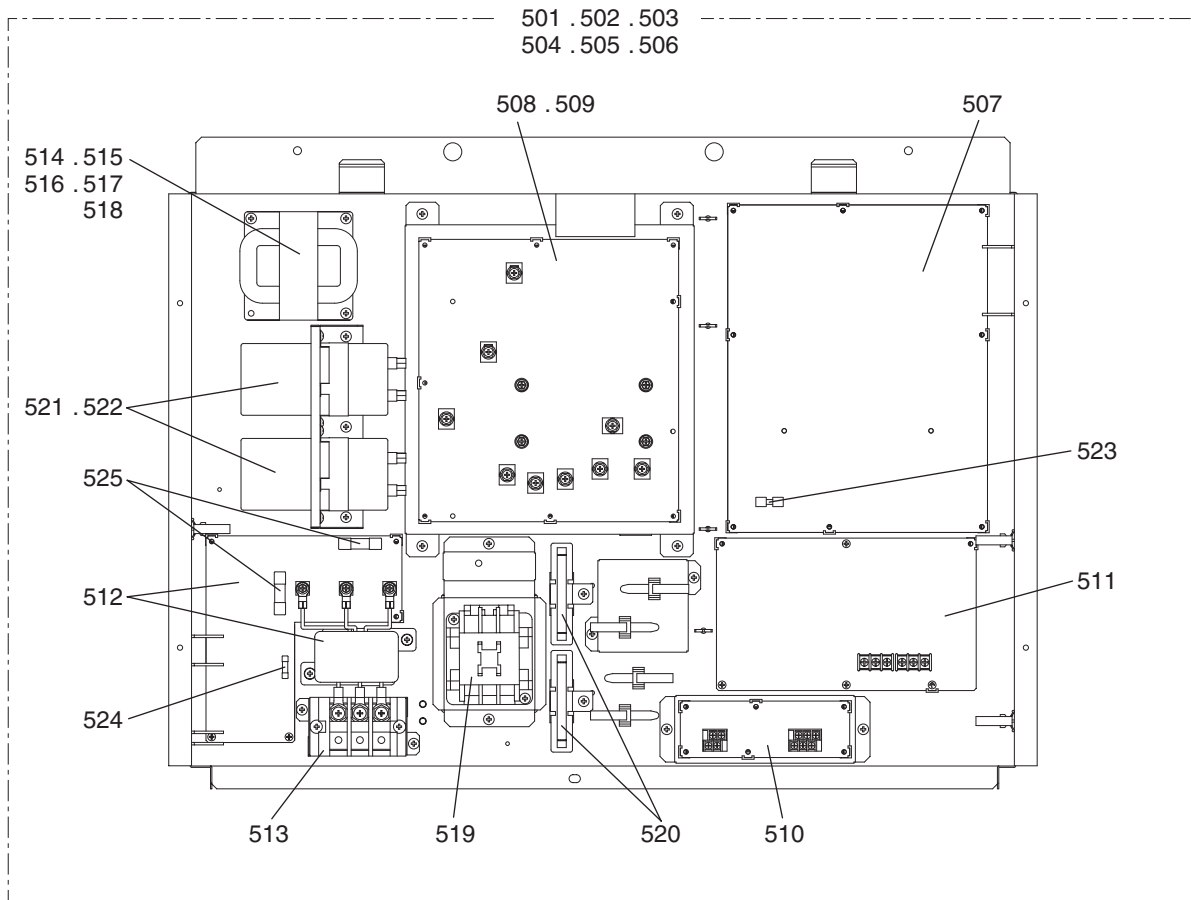
PQRY-P144ZLMU-A1
 PQRY-P168ZLMU-A1
 PQRY-P192ZLMU-A1

FUNCTIONAL PARTS (2)



*2 If the label "Equipped with liquid level detection" is not attached on the front panel, order the "Sensor kit L" (part number 440).
 If it is attached, order the "Thermistor" (part number 433).

No.	Part No.	Part Name	Spec.	PQRY-P144ZLMU-A1	PQRY-P168ZLMU-A1	PQRY-P192ZLMU-A1				Dwg. No.	Notes for the models	Revision info.
401	R69 196 478	Scroll compressor	HNB84FC3-YE	1	1	1				EP10126B14		
402	R61 125 484	Accumulator assy		1	1	1				KB00M867G34		
403	R61 049 487	Oil separator assy		1	1	1				KJ00T015G05		
404	R61 990 480	Heat exchanger assy	Water-side	1	1	1				KB00M867G30		
405	R61 A49 480	INV heat exchanger assy		1	1	1				KJ00T636G02		
406	R61 009 410	Ball valve	SBV-JA10YGME-3	1	1	1				P636358X01	<BV1>	
407	R61 025 538	Valve	VSAMH8SSCM-LA1	1	1	1				P636353X01	<BV2>	Chg.
408	R61 008 454	Strainer	25.4D	1	1	1				KB48K250G01	<ST1>	
409	R61 012 454	Strainer	12.5D	1	1	1				KB48S298G01	<ST18>	
410	R63 S84 413	Check joint		2	2	2				P666002X01	<CJ1,CJ2>	
411	R61 027 425	Capillary tube assy		1	1	1				KD49U675G01	<CP1>	
412	R61 065 418	Check valve	YBV-22Y9GMD-2	2	2	2				P639183X02	<CV2a,CV2b>	
413	R61 072 418	Check valve	LCVP15-7M	2	2	2				P639218X02	<CV3a,CV5a>	
414	R61 005 418	Check valve	YAV-P11Y5HMD-1	1	1	1				P633133X01	<CV6a>	
415	R63 046 232	Solenoid valve	FDFA277	1	1	1				P631312X01	<SV1a>	
416	R61 013 403	Four way valve	STF-H0731	2	2	2				P633130X01	<21S4a,21S4b>	
417	R61 038 232	Solenoid valve block		1	1	1				KB00T028G03		
418	R63 001 921	Solenoid valve	VPV-603DQ3	2	2	2				P631295X01	<SV7a,SV7c>	
419	R61 040 232	Solenoid valve	VPV-803DQ50	1	1	1				P631300X01	<SV7b>	
420	R63 027 232	Solenoid valve	VPV-L202D	1	1	1				P631296X01	<SV9>	
421	R61 029 243	Solenoid valve coil	FQ-D808	1	1	1				P472086X01	<SV1a>	
422	R61 040 243	Solenoid valve coil	STF-H01AQ1969UA1	2	2	2				P472095X01	<21S4a,21S4b>	
423	R63 6A7 243	Solenoid valve coil	A20-1B02B-1	3	3	3				P472010X01	<SV4a,SV4b,SV4d>	
424	R61 011 243	Solenoid valve coil	VPV-MOQA540UA1	4	4	4				P472047X01	<SV7a,SV7b,SV7c,SV9>	
425	R63 R34 401	Linear expansion valve	CAM-B35YGMD-2	1	1	1				P632416X01	<LEVINV>	
426	R61 107 401	Linear expansion valve	PAM-BBOYGMD-2	2	2	2				KR50C486H01	<LEV6,LEV7>	
427	R61 094 401	Linear expansion valve coil	CAM-MD12MD-124	1	1	1				P472097X01	<LEVINV>	
428	R61 022 243	Linear expansion valve coil	PAM-MD12MD-3	1	1	1				P472061X02	<LEV6>	
429	R61 093 401	Linear expansion valve coil	PAM-MD12MD-9	1	1	1				P472091X01	<LEV7>	
430	R61 056 208	Pressure switch	ACB-1UB28W	1	1	1				P426320X02	<63H1>	
431	R63 067 288	Pressure sensor	HP D173	1	1	1				KB00M867G13	<63HS1>	
432	R63 068 288	Pressure sensor	LP D173	1	1	1				KB00M867G14	<63LS>	
433	R61 060 200	Thermistor	150-522-96001	5	5	5				P418065X01	<TH5,TH7,TH8,TH15,THINV> *2	
434	R63 911 202	Thermistor	158-204-97484	1	1	1				P425416X02	<TH4>	
435	R61 046 260	Transformer assy		1	1	1				KB00M867G28		
436	R61 048 260	Transformer	575V/230V	1	1	1				P715510X01	<T02>	
437	R61 045 260	Transformer	575V/230V	1	1	1				P715511X02	<T03>	
438	R61 053 260	Transformer assy		1	1	1				KB00M867G38		
439	R61 052 260	Transformer	240V/23.5V	1	1	1				P715563X01	<T04>	
440	R61 066 287	Sensor kit L		1	1	1				KJ00M319G05	*2	



No.	Part No.	Part Name	Spec.	PQRY-P72ZLMU-A1	PQRY-P96ZLMU-A1	PQRY-P120ZLMU-A1	PQRY-P144ZLMU-A1	PQRY-P168ZLMU-A1	PQRY-P192ZLMU-A1	Dwg. No.	Notes for the models	Revision info.
501	R61 836 305	Control box	WR-P72ZLMU	1						KE80C923G25		
502	R61 837 305	Control box	WR-P96ZLMU		1					KE80C923G26		
503	R61 838 305	Control box	WR-P120ZLMU			1				KE80C923G27		
504	R61 839 305	Control box	WR-P144ZLMU				1			KE80C923G28		
505	R61 840 305	Control box	WR-P168ZLMU					1		KE80C923G29		
506	R61 841 305	Control box	WR-P192ZLMU						1	KE80C923G30		
507	R61 405 280	Control board		1	1	1	1	1	1	KE80C836G20	<MAIN09>	
508	R61 399 280	INV board		1	1	1				KE80G179G02	<INV34Y>	
509	R61 408 280	INV board					1	1	1	KE80G179G04	<INV34Y>	
510	R63 273 280	I/O board		1	1	1	1	1	1	KE80C912G01	<W-I/O>	
511	R63 278 280	M-NET board		1	1	1	1	1	1	KE80C055G07	<PS-MNET-Y>	
512	R61 038 293	Noise filter	board,coil	1	1	1	1	1	1	KE80C925G02		
513	R61 N18 246	Terminal block		1	1	1	1	1	1	S436005H01	<TB1>	
514	R61 034 259	Reactor		1						P715514X01	<DCL>	
515	R61 035 259	Reactor			1					P715513X01	<DCL>	
516	R61 036 259	Reactor				1	1			P715512X01	<DCL>	
517	R61 053 259	Reactor						1		KR65C351H02	<DCL>	
518	R61 054 259	Reactor							1	KR65C352H02	<DCL>	
519	R61 Y41 225	Magnetic contactor		1	1	1	1	1	1	S427020H29	<52C>	
520	R61 001 234	Resistor		2	2	2	2	2	2	P411151X01	<R1,R5>	
521	R61 009 252	Capacitor assy		1	1	1				KE00C900G02	<C1,C2>	
522	R61 014 252	Capacitor assy					1	1	1	KE00G251G01	<C1,C2>	
523	R61 018 239	Fuse	3.15A AC250V T	1	1	1	1	1	1	YE81D827H02		
524	R61 006 239	Fuse	6.3A AC250V T	1	1	1	1	1	1	S423001H42		
525	R61 009 239	Fuse	6A AC600V F	2	2	2	2	2	2	S423005H08		

mitsubishi
electric
corporation

BWE01706B (20191130)