

# SERVICE PARTS LIST FOR MITSUBISHI ELECTRIC PACKAGED AIR-CONDITIONERS

Series : PUHY-HP·T(S)NU-A.TH  
PUHY-HP·Y(S)NU-A.TH

For use with the R410A

REVISED

Nov. 2019

BWE01904A

## INDEX

PUHY-HP72TNU-A.TH  
PUHY-HP96TNU-A.TH  
PUHY-HP120TNU-A.TH  
PUHY-HP72YNU-A.TH  
PUHY-HP96YNU-A.TH  
PUHY-HP120YNU-A.TH

Part information update day : 2019/10/28

Please change the old catalog (issued Apr. 2019, No.BWE019040) to this new catalog.  
Content of revision : Some of parts are changed.



## The Package name list

**PUHY-HP144TSNU-A.TH** [PUHY-HP72TNU-A.TH+PUHY-HP72TNU-A.TH]

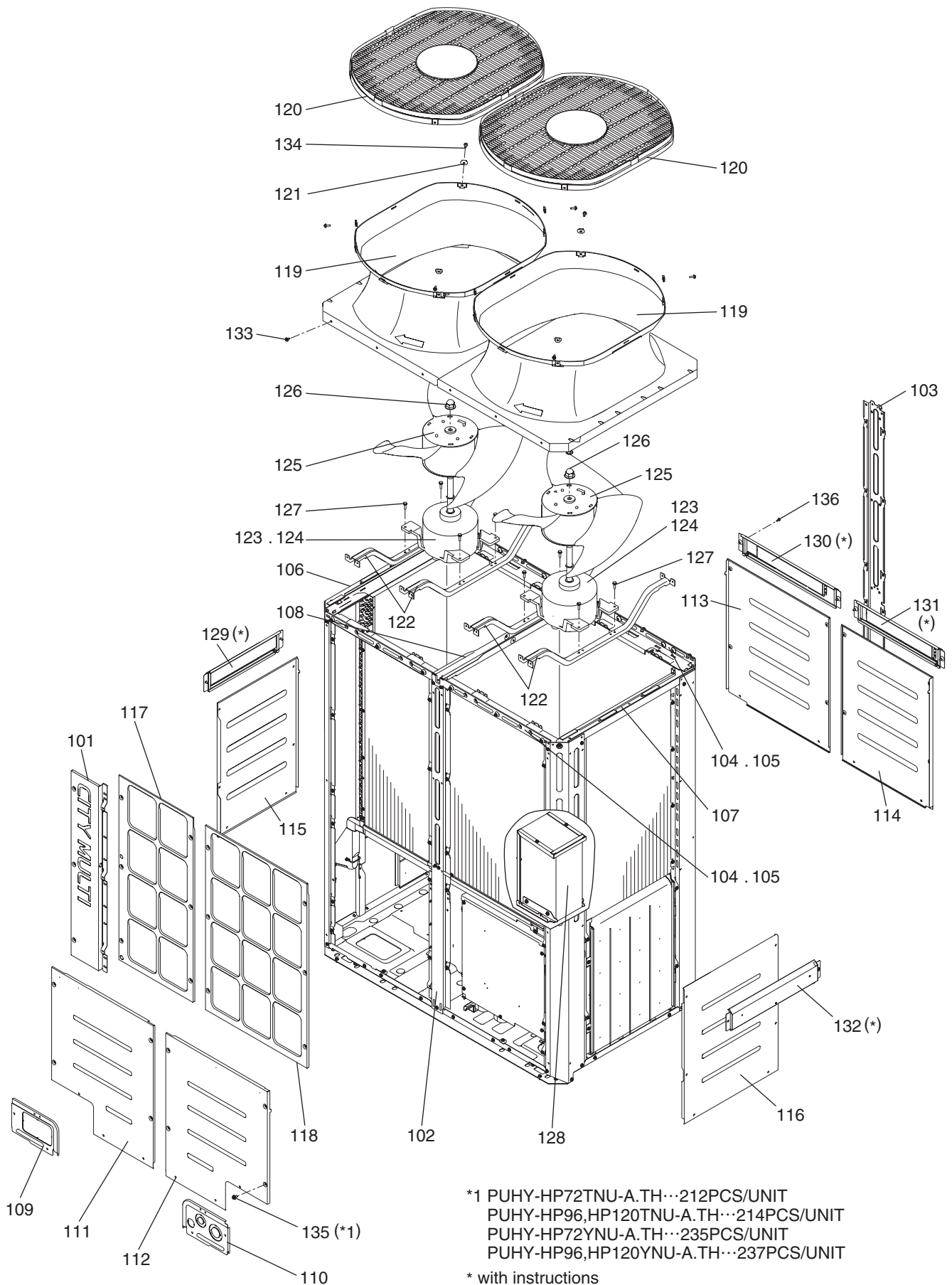
**PUHY-HP192TSNU-A.TH** [PUHY-HP96TNU-A.TH+PUHY-HP96TNU-A.TH]

**PUHY-HP240TSNU-A.TH** [PUHY-HP120TNU-A.TH+PUHY-HP120TNU-A.TH]

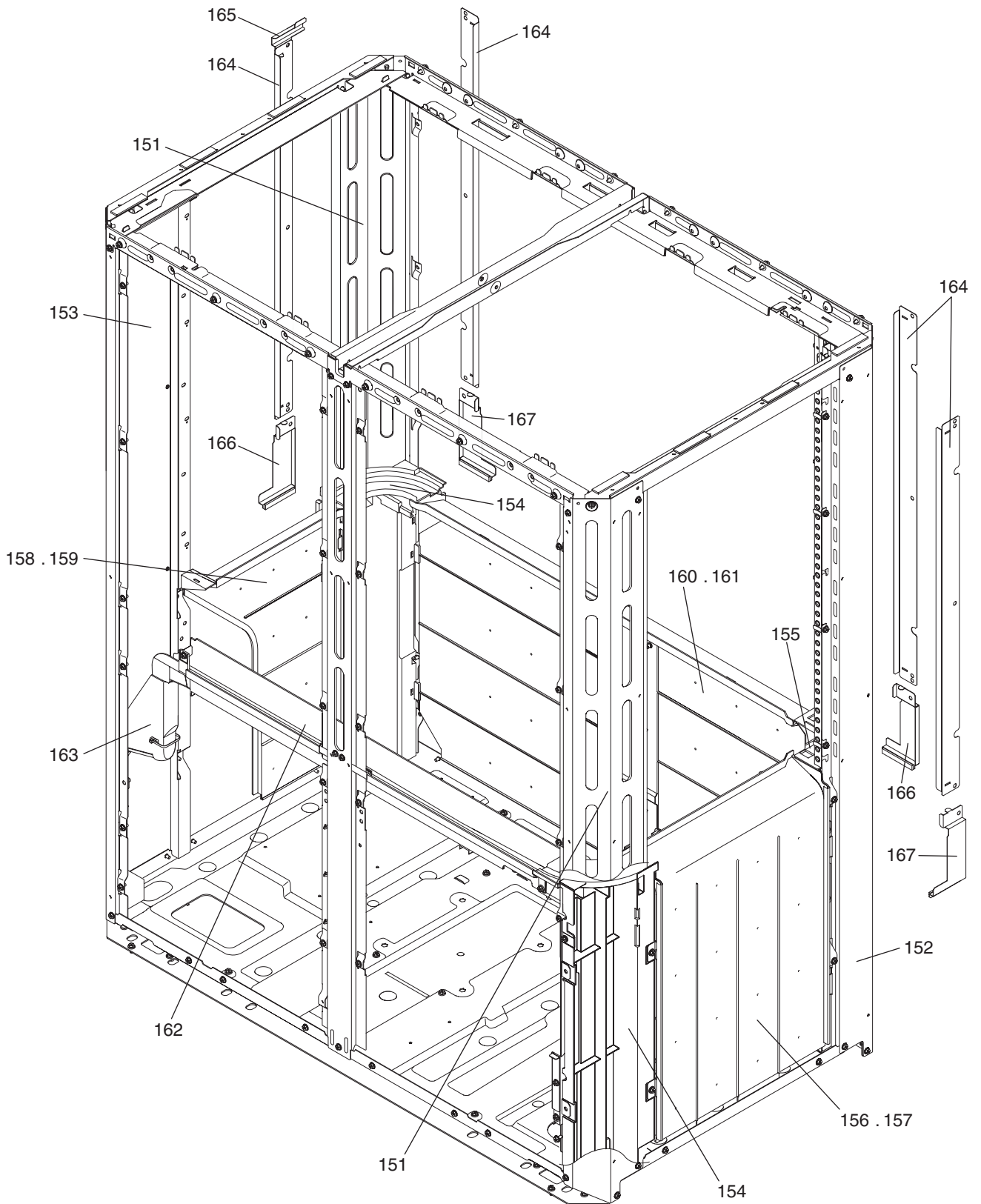
**PUHY-HP144YSNU-A.TH** [PUHY-HP72YNU-A.TH+PUHY-HP72YNU-A.TH]

**PUHY-HP192YSNU-A.TH** [PUHY-HP96YNU-A.TH+PUHY-HP96YNU-A.TH]

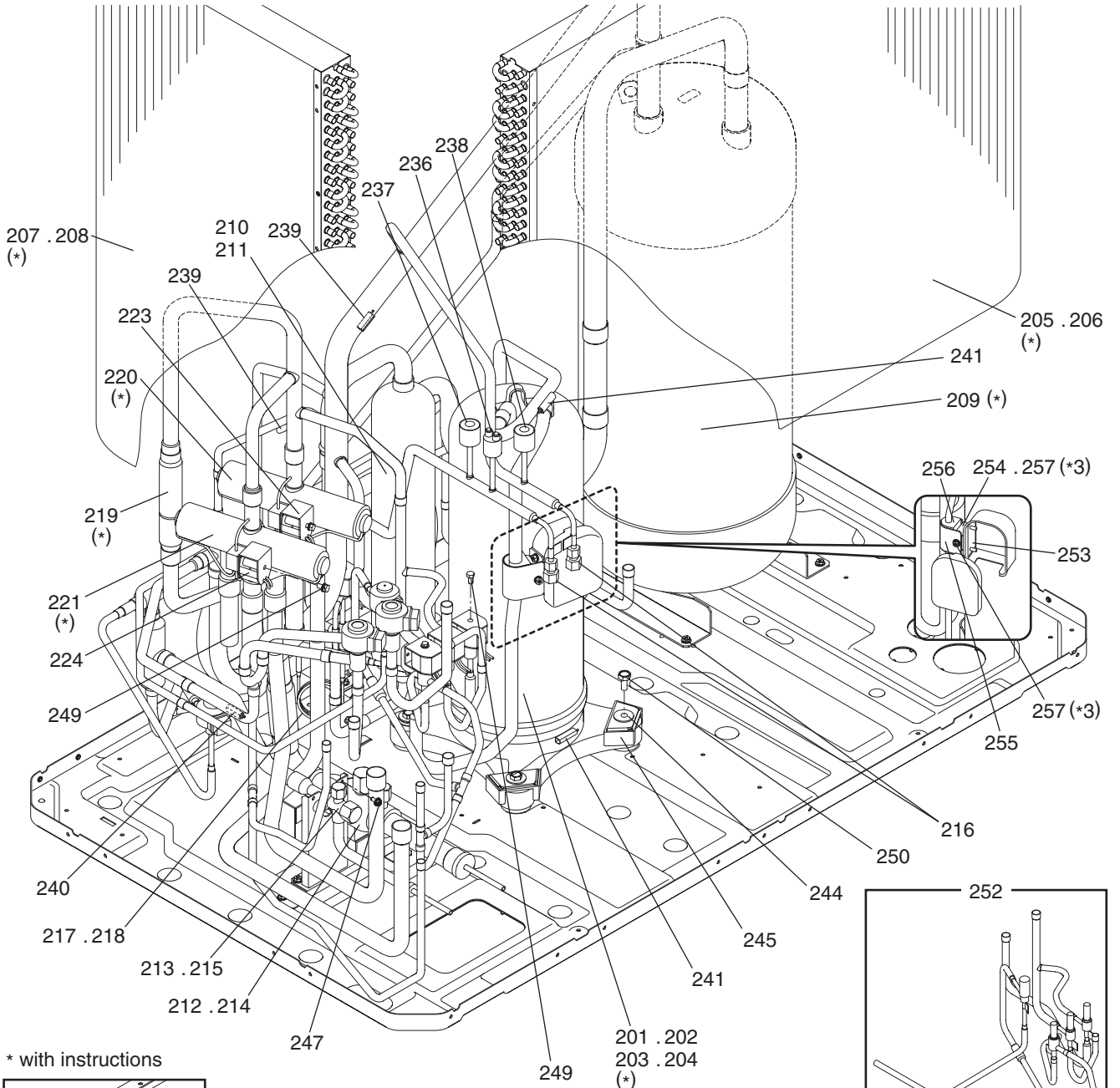
**PUHY-HP240YSNU-A.TH** [PUHY-HP120YNU-A.TH+PUHY-HP120YNU-A.TH]



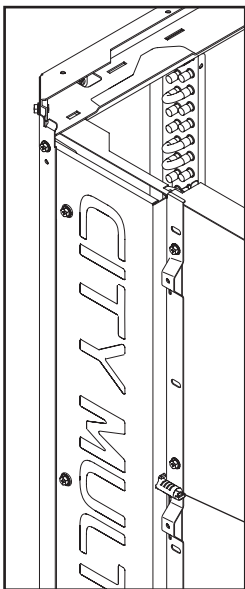




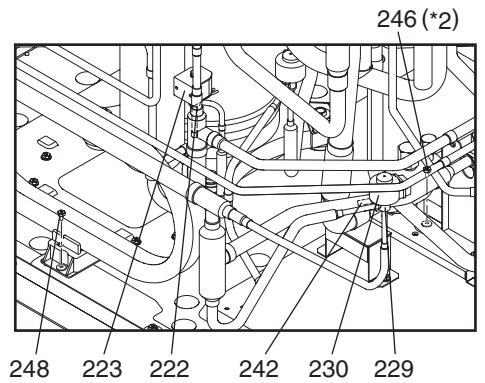
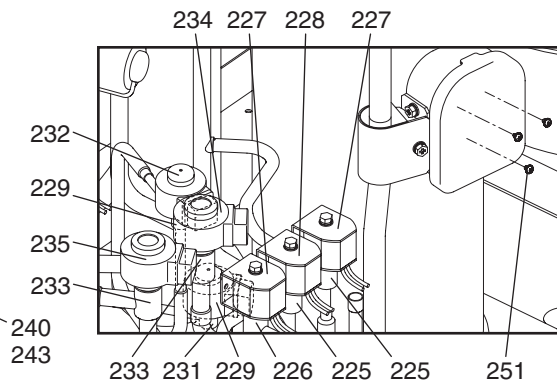
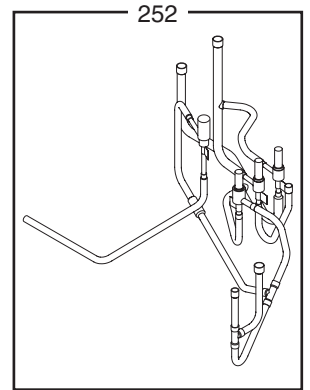




\* with instructions



- \*2 PUHY-HP72TNU-A.TH...212PCS/UNIT
- PUHY-HP96,HP120TNU-A.TH...214PCS/UNIT
- PUHY-HP72YNU-A.TH...235PCS/UNIT
- PUHY-HP96,HP120YNU-A.TH...237PCS/UNIT
- \*3 PUHY-HP72,HP96,HP120TNU-A.TH...13PCS/UNIT
- PUHY-HP72,HP96,HP120YNU-A.TH...11PCS/UNIT



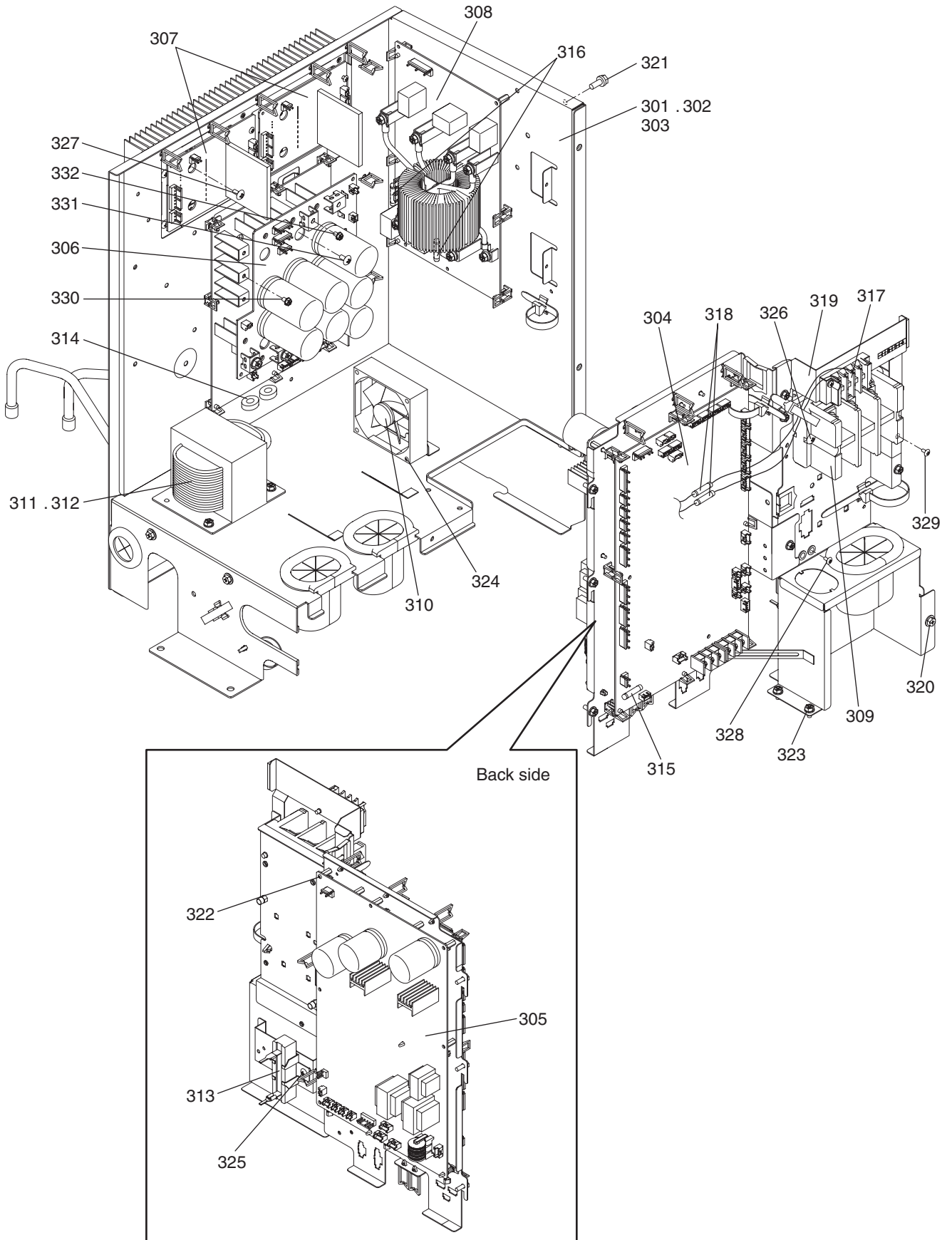
No.	Part No.	Part Name	Spec.	PUHY-HP72TNU-A.TH	PUHY-HP96TNU-A.TH	PUHY-HP120TNU-A.TH	PUHY-HP72YNU-A.TH	PUHY-HP96YNU-A.TH	PUHY-HP120YNU-A.TH	Dwg. No.	Notes for the models	Revision info.
201	E27 T63 900	Compressor SP kit	HNK68FB-UT	1						KJ00K987G42	*	
202	E27 T64 900	Compressor SP kit	HNK97FB-U-C		1	1				KJ00K987G43	*	
203	E27 T66 900	Compressor SP kit	HNK68FB-YET				1			KJ00K987G44	*	
204	E27 T67 900	Compressor SP kit	HNK97FB-YE-C					1	1	KJ00K987G45	*	
205	E27 R14 630	Outdoor heat exchanger	2L F	1			1			KJ00K987G05	*	
206	E27 R16 630	Outdoor heat exchanger	3L F		1	1		1	1	KJ00K987G07	*	
207	E27 R15 630	Outdoor heat exchanger	2L R	1			1			KJ00K987G09	*	
208	E27 R21 630	Outdoor heat exchanger	3L R		1	1		1	1	KJ00K987G11	*	
209	E27 T63 932	Accumulator		1	1	1	1	1	1	KJ00K987G41	*	
210	E27 R13 299	Oil separator		1			1			KL00L033G02		
211	E27 J44 299	Oil separator			1	1		1	1	KS00G735G02		
212	E27 J47 661	Ball valve	SBV10-005	1	1	1	1	1	1	KR50C374H01	<BV1>	
213	E27 J47 662	Valve	FSV-JA4GME-6	1	1	1	1	1	1	KR50C376H01	<BV2>	
214	E27 J47 933	Strainer	28.6D	1	1	1	1	1	1	KR48C381H01	<ST1>	
215	E27 622 933	Strainer	19.05D	1	1	1	1	1	1	KB53S159G01	<ST2>	
216	E27 J44 643	Check joint	R410A	2	2	2	2	2	2	KR50C388H01	<CJ1,CJ2>	
217	E27 622 936	Capillary tube		1			1			KB49S267G01	<CP1>	
218	E27 A63 936	Capillary tube			1	1		1	1	KD49M579G01	<CP1>	
219	E27 R13 642	Check valve 1 SP kit		1	1	1	1	1	1	KJ00K987G25	<CV1>*	
220	E27 R14 961	Four way valve A SP kit		1	1	1	1	1	1	KJ00K987G28	<21S4a>*	
221	E27 R15 961	Four way valve B SP kit		1	1	1	1	1	1	KJ00K987G29	<21S4b>*	
222	E27 981 492	Solenoid valve	FDF2A77	1	1	1	1	1	1	KR50D126H01	<SV1a>	
223	E27 R14 490	Solenoid valve coil		1	1	1	1	1	1	KL00R188G01	<21S4a,SV1a>	
224	E27 R15 490	Solenoid valve coil		1	1	1	1	1	1	KJ00K374G01	<21S4b>	
225	E27 J44 492	Solenoid valve	FDF4A10	2	2	2	2	2	2	KR50C371H01	<SV2,SV10>	
226	E27 J45 492	Solenoid valve	FDF6A58	1	1	1	1	1	1	KR50C440H01	<SV9>	
227	E27 R16 490	Solenoid valve coil		1	1	1	1	1	1	KL00R199G01	<SV2,SV9>	
228	E27 R17 490	Solenoid valve coil		1	1	1	1	1	1	KJ00K377G01	<SV10>	
229	E27 A59 640	Linear expansion valve	CAM-B35YGMD-2	3	3	3	3	3	3	KR50C271H01	<LEV1,LEV4,LEV9>	
230	E27 J44 493	Solenoid valve coil	CAM-MD12MD-125	1	1	1	1	1	1	KJ00H713G01	<LEV1>	
231	E27 R34 493	Solenoid valve coil	CAM-MD12MD-128	1	1	1	1	1	1	KJ00K989G01	<LEV4>	
232	E27 J45 493	Solenoid valve coil	CAM-MD12MD-126	1	1	1	1	1	1	KJ00H717G01	<LEV9>	
233	E27 624 640	Linear expansion valve	PAM-BBOYGMD-2	2	2	2	2	2	2	KR50C486H01	<LEV2a,LEV2b>	
234	E27 J51 493	Solenoid valve coil	PAM-MD12MD-17	1	1	1	1	1	1	KJ00H714G01	<LEV2a>	
235	E27 J52 493	Solenoid valve coil	PAM-MD12MD-18	1	1	1	1	1	1	KJ00H715G01	<LEV2b>	
236	E27 J44 646	Pressure switch		1	1	1	1	1	1	KD00K089G06	<63H1>	
237	E27 J46 646	Pressure sensor	NSK-BH042D-501	1	1	1	1	1	1	KJ00H708G07	<63HS1>	
238	E27 J44 647	Pressure sensor	NSK-BH017D-505	1	1	1	1	1	1	KJ00H708G08	<63LS1>	
239	E27 R14 307	Thermistor	PXM-41E-M112-1Y	1	1	1	1	1	1	KL00R169G01	<TH2,TH5>	
240	E27 R15 307	Thermistor	PXM-41E-M112-1Y	1	1	1	1	1	1	KL00R172G01	<TH3,TH7>	
241	E27 R16 307	Thermistor	158-204-97484,PXM-41E-M112-1Y	1	1	1	1	1	1	KL00R175G01	<TH4,TH15>	
242	E27 R17 307	Thermistor	PXM-41E-M112-1Y	1	1	1	1	1	1	KJ00K347G01	<TH6>	
243	E27 622 241	Sensor holder		1	1	1	1	1	1	KB25J374G01	<TH7>	
244	E27 622 506	Comp.rubber mount set	4 Rubbers/SET	4	4	4	4	4	4	KB31S115H01		
245	E27 R13 534	Attachment (HH)		2	2	2	2	2	2	KJ00F713G01		





PUHY-HP72TNU-A.TH  
 PUHY-HP96TNU-A.TH  
 PUHY-HP120TNU-A.TH

CONTROL BOX PARTS (1)

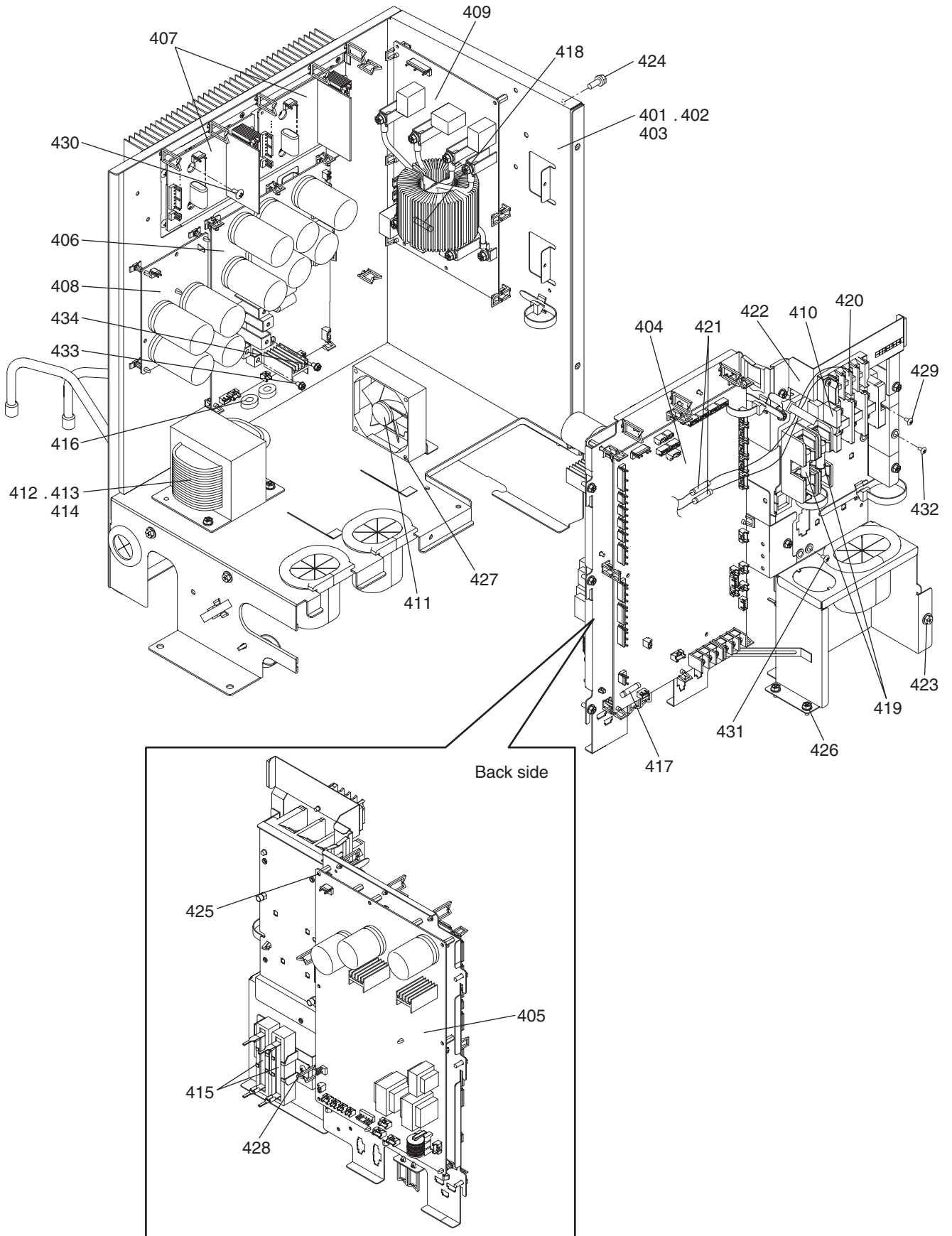


Notice: Consult your service agency when the wiring needs to be replaced.  
 (Replacing wiring will take about 2 months.)



PUHY-HP72YNU-A.TH  
 PUHY-HP96YNU-A.TH  
 PUHY-HP120YNU-A.TH

CONTROL BOX PARTS (2)



Notice: Consult your service agency when the wiring needs to be replaced.  
 (Replacing wiring will take about 2 months.)



**mitsubishi**  
**electric**  
**corporation**

---

BWE01904A (20191130)