

# SERVICE PARTS LIST FOR MITSUBISHI ELECTRIC PACKAGED AIR-CONDITIONERS

Series : PURY-P·T(S)HMU-A  
PURY-P·Y(S)HMU-A

For use with the R410A

REVISED

July 2023

BWE0806D

## INDEX

PURY-P72THMU-A(-BS)  
PURY-P96THMU-A(-BS)  
PURY-P120THMU-A(-BS)  
PURY-P72YHMU-A(-BS)  
PURY-P96YHMU-A(-BS)  
PURY-P120YHMU-A(-BS)

Refer to the next page for the package names.

Part information update day : 2023/07/19

Please change the old catalog (issued Aug. 2012, No.BWE0806C) to this new catalog.  
Content of revision : Some of parts are changed.

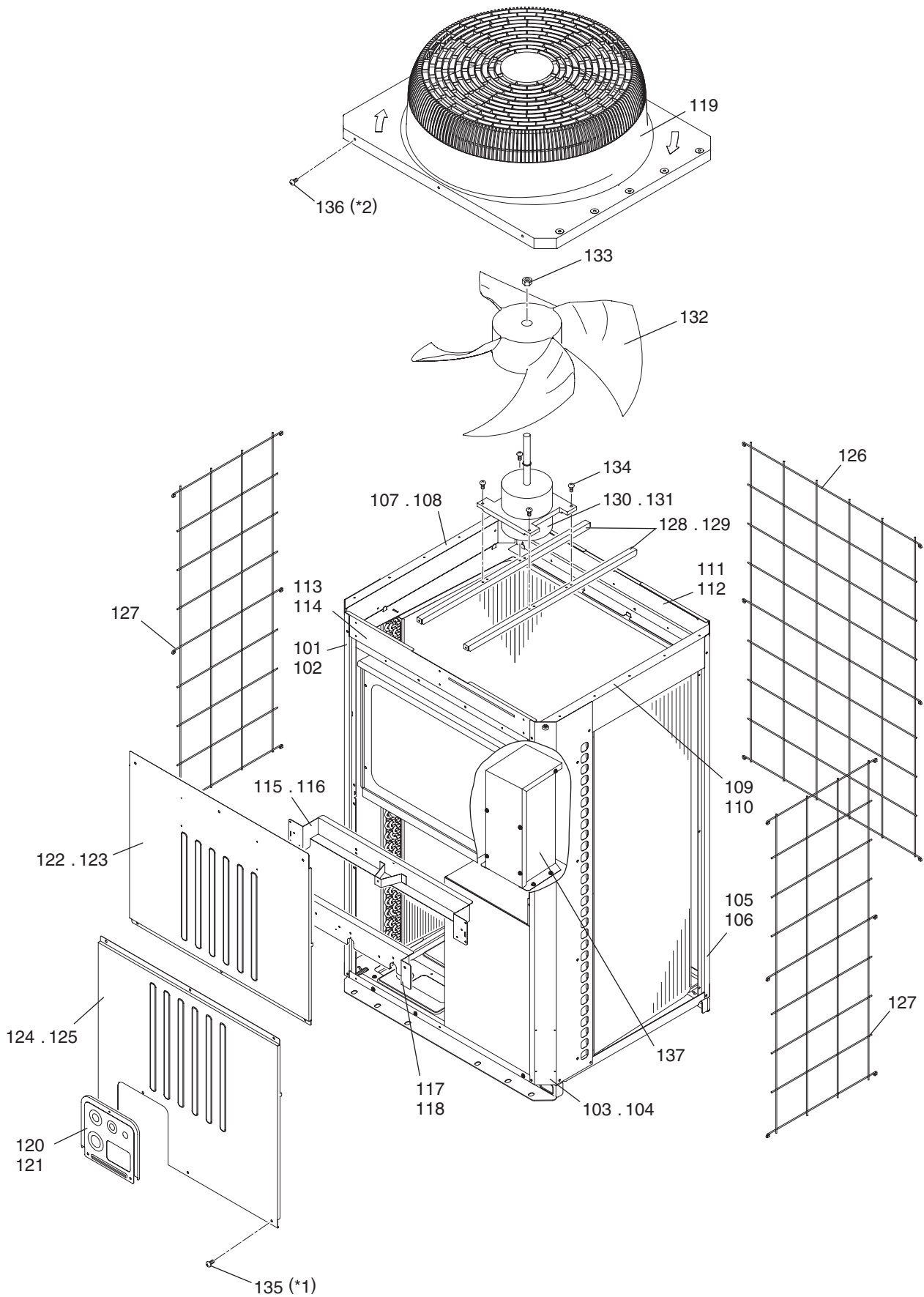


## The Package name list

<b>PURY-P144TSHMU-A(-BS)</b>	[PURY-P72THMU-A(-BS) +PURY-P72THMU-A(-BS)]
<b>PURY-P168TSHMU-A(-BS)</b>	[PURY-P72THMU-A(-BS) +PURY-P96THMU-A(-BS)]
<b>PURY-P192TSHMU-A(-BS)</b>	[PURY-P96THMU-A(-BS) +PURY-P96THMU-A(-BS)]
<b>PURY-P216TSHMU-A(-BS)</b>	[PURY-P96THMU-A(-BS) +PURY-P120THMU-A(-BS)]
<b>PURY-P240TSHMU-A(-BS)</b>	[PURY-P120THMU-A(-BS) +PURY-P120THMU-A(-BS)]
<b>PURY-P144YSHMU-A(-BS)</b>	[PURY-P72YHMU-A(-BS) +PURY-P72YHMU-A(-BS)]
<b>PURY-P168YSHMU-A(-BS)</b>	[PURY-P72YHMU-A(-BS) +PURY-P96YHMU-A(-BS)]
<b>PURY-P192YSHMU-A(-BS)</b>	[PURY-P96YHMU-A(-BS) +PURY-P96YHMU-A(-BS)]
<b>PURY-P216YSHMU-A(-BS)</b>	[PURY-P96YHMU-A(-BS) +PURY-P120YHMU-A(-BS)]
<b>PURY-P240YSHMU-A(-BS)</b>	[PURY-P120YHMU-A(-BS) +PURY-P120YHMU-A(-BS)]

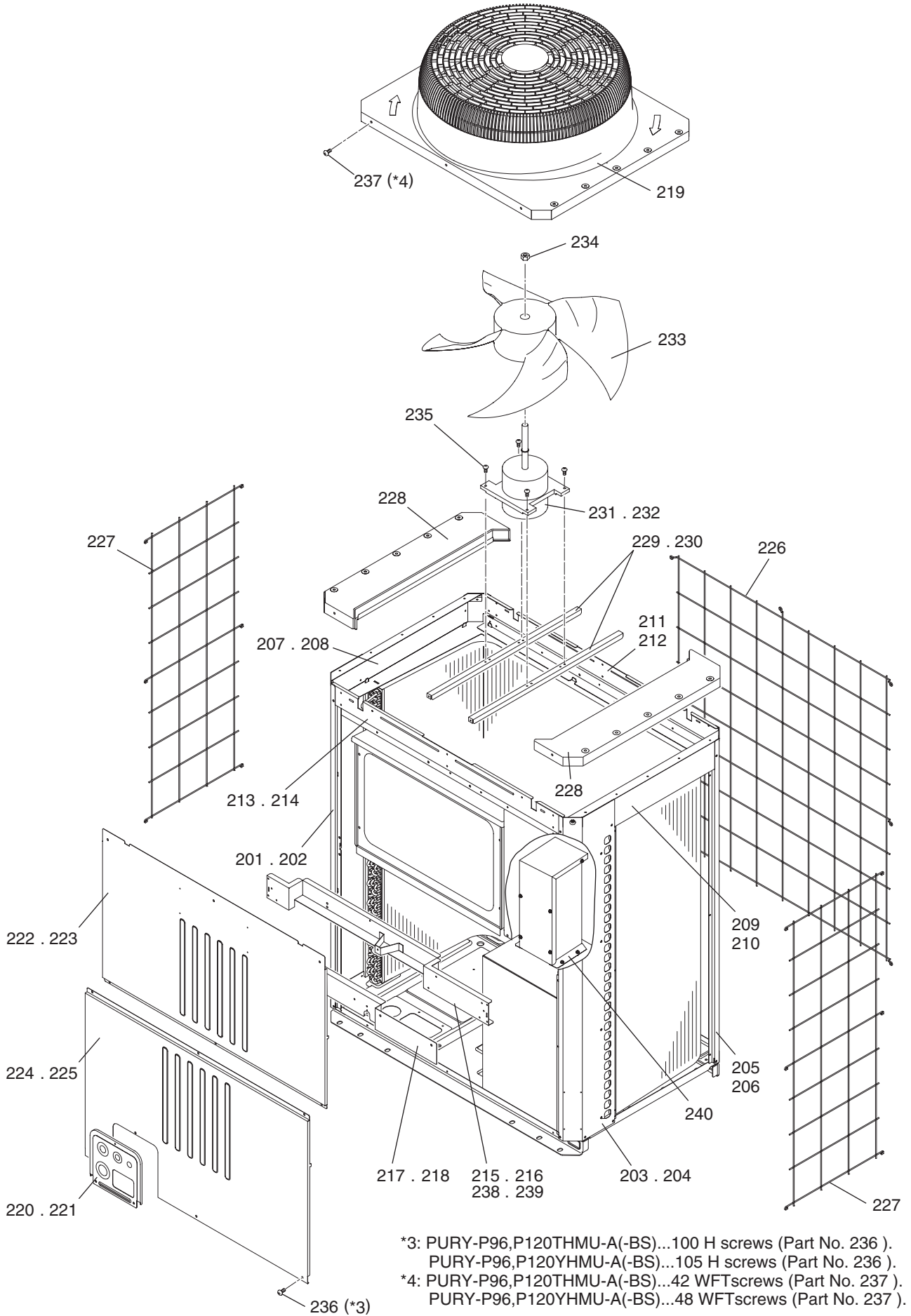
PURY-P72THMU-A(-BS)  
 PURY-P72YHMU-A(-BS)

EXTERNAL PARTS & BLOWER PARTS (1)



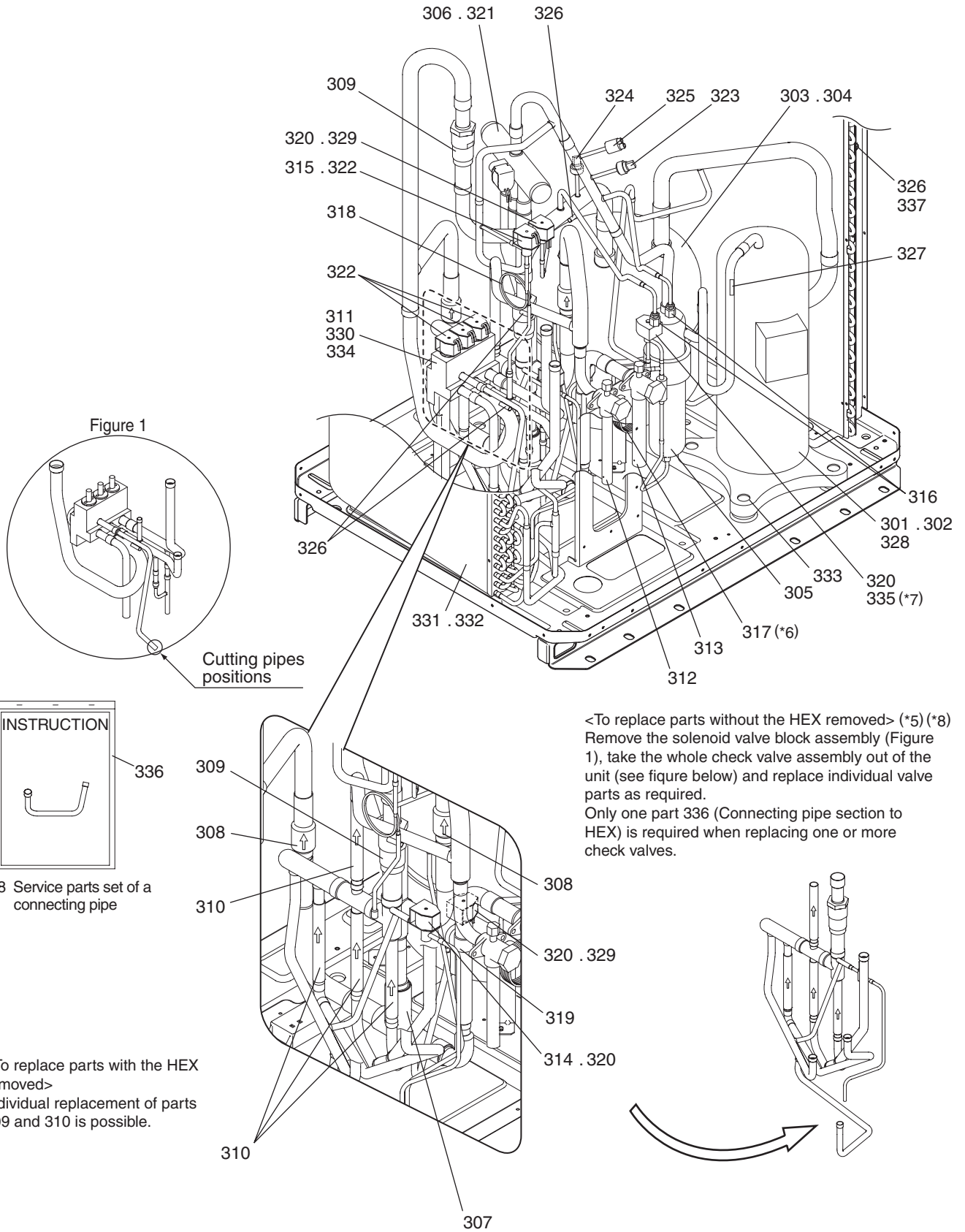
\*1: PURY-P72THMU-A(-BS)...94 H screws (Part No. 135 ). PURY-P72YHMU-A(-BS)...99 H screws (Part No. 135 ).  
 \*2: PURY-P72THMU-A(-BS)...35 WFTscrews (Part No. 136 ). PURY-P72YHMU-A(-BS)...41 WFTscrews (Part No. 136 ).





No.	Part No.	Part Name	Spec.	PURY-P96THMU-A	PURY-P96THMU-A-BS	PURY-P120THMU-A	PURY-P120THMU-A-BS	PURY-P96YHMU-A	PURY-P96YHMU-A-BS	Dwg. No.	Notes for the models	Revision info.	
201	R63 001 626	Pillar LF		1		1		1		KB02A011G05			
202	R63 002 626	Pillar LF	BS		1		1		1	KB02A011G06			
203	R63 003 626	Pillar RF		1		1		1		KB02A012G05			
204	R63 004 626	Pillar RF	BS		1		1		1	KB02A012G06			
205	R63 005 626	Pillar B		2		2		2		KB02A013G05			
206	R63 006 626	Pillar B	BS		2		2		2	KB02A013G06			
207	R63 005 111	Frame assy L		1		1		1		KB00C163G05			
208	R63 006 111	Frame assy L	BS		1		1		1	KB00C163G06			
209	R61 036 162	Frame assy R		1		1		1		KB00C164G07			
210	R63 008 111	Frame assy R	BS		1		1		1	KB00C164G06			
211	R63 019 111	Frame assy B	18HP	1		1		1		KB00C464G06		Chg.	
212	R63 020 111	Frame assy B	18HP BS		1		1		1	KB00C464G07		Chg.	
213	R63 021 111	Frame F	18HP	1		1		1		KB02B093H03			
214	R63 022 111	Frame FB	18HP BS		1		1		1	KB02B093G08		Chg.	
215	R61 031 162	Frame assy MU	18HP	1		1				KB00T829G01			
216	R61 033 162	Frame assy MU	18HP BS		1		1			KB00T829G03			
217	R61 006 162	Frame assy MB	18HP	1		1		1		KB00L186G01			
218	R61 008 162	Frame assy MB	18HP BS		1		1		1	KB00L186G07			
219	R63 4H6 118	Fan guard		1	1	1	1	1	1	KB25A008H08		Chg.	
220	R61 005 697	Piping cover	R2 THMU	1		1		1		KB02L912G01			
221	R61 006 697	Piping cover	R2 THMU BS		1		1		1	KB02L912G09		Chg.	
222	R61 051 651	Panel FU	18HP	1		1		1		KB02B402H02			
223	R63 7H8 651	Panel FU	18HP BS		1		1		1	KB02B402G04			
224	R61 005 652	Panel FB	18HP YHM-A	1		1		1		KB02B403H02			
225	R61 006 652	Panel FB	18HP YHM-A BS		1		1		1	KB02B403G03			
226	R61 003 118	Fin guard B	18HP	1	1	1	1	1	1	KB07T209G01			
227	R61 007 611	Fin guard LR		2	2	2	2	2	2	KB07C043G04		Chg.	
228	R63 7H6 118	Fan guard cover		2	2	2	2	2	2	KB25B086H04		Chg.	
229	R63 4H6 140	Base fan		2		2		2		KB02D050H01			
230	R63 4H7 140	Base fan	BS		2		2		2	KB02D050G05		Chg.	
231	R61 047 220	Motor	TC920IA-UL	1	1	1	1			P780112X02			
232	R61 060 220	Motor	UC920IA					1	1	P780138X02			
233	R61 001 300	Fan		1	1	1	1	1	1	KB25A009H05		Chg.	
234	R63 4H6 122	Box nut	M12 CH	1	1	1	1	1	1	P552000X01			
235	R63 014 087	Upset Screw	6 x 10	4	4	4	4	4	4	P516047X01			
236	R63 007 087	H Screw	5 x 14 KNURLED (30 pcs)	4	4	4	4	4	4	KB00H418G02	*3	Chg.	
237	R63 006 087	WFT Screw	5 x 12 (30 pcs)	2	2	2	2	2	2	KB00H418G01	*4		
238	R61 044 162	Frame assy MU	18HP						1	KB00T829G04			
239	R61 045 162	Frame assy MU	18HP						1	KB00T829G06			
240	R61 018 260	Transformer assy							1	1	KB00K063G02		

No.	Part No.	Part Name	Spec.	PURY-P120YHMU-A	PURY-P120THMU-A-BS						Dwg. No.	Notes for the models	Revision info.
201	R63 001 626	Pillar LF		1							KB02A011G05		
202	R63 002 626	Pillar LF	BS	1							KB02A011G06		
203	R63 003 626	Pillar RF		1							KB02A012G05		
204	R63 004 626	Pillar RF	BS	1							KB02A012G06		
205	R63 005 626	Pillar B		2							KB02A013G05		
206	R63 006 626	Pillar B	BS	2							KB02A013G06		
207	R63 005 111	Frame assy L		1							KB00C163G05		
208	R63 006 111	Frame assy L	BS	1							KB00C163G06		
209	R61 036 162	Frame assy R		1							KB00C164G07		
210	R63 008 111	Frame assy R	BS	1							KB00C164G06		
211	R63 019 111	Frame assy B	18HP	1							KB00C464G06		Chg.
212	R63 020 111	Frame assy B	18HP BS	1							KB00C464G07		Chg.
213	R63 021 111	Frame F	18HP	1							KB02B093H03		
214	R63 022 111	Frame FB	18HP BS	1							KB02B093G08		Chg.
215	R61 031 162	Frame assy MU	18HP								KB00T829G01		
216	R61 033 162	Frame assy MU	18HP BS								KB00T829G03		
217	R61 006 162	Frame assy MB	18HP	1							KB00L186G01		
218	R61 008 162	Frame assy MB	18HP BS	1							KB00L186G07		
219	R63 4H6 118	Fan guard		1	1						KB25A008H08		Chg.
220	R61 005 697	Piping cover	R2 THMU	1							KB02L912G01		
221	R61 006 697	Piping cover	R2 THMU BS	1							KB02L912G09		Chg.
222	R61 051 651	Panel FU	18HP	1							KB02B402H02		
223	R63 7H8 651	Panel FU	18HP BS	1							KB02B402G04		
224	R61 005 652	Panel FB	18HP YHM-A	1							KB02B403H02		
225	R61 006 652	Panel FB	18HP YHM-A BS	1							KB02B403G03		
226	R61 003 118	Fin guard B	18HP	1	1						KB07T209G01		
227	R61 007 611	Fin guard LR		2	2						KB07C043G04		Chg.
228	R63 7H6 118	Fan guard cover		2	2						KB25B086H04		Chg.
229	R63 4H6 140	Base fan		2							KB02D050H01		
230	R63 4H7 140	Base fan	BS	2							KB02D050G05		Chg.
231	R61 047 220	Motor	TC920IA-UL								P780112X02		
232	R61 060 220	Motor	UC920IA	1	1						P780138X02		
233	R61 001 300	Fan		1	1						KB25A009H05		Chg.
234	R63 4H6 122	Box nut	M12 CH	1	1						P552000X01		
235	R63 014 087	Upset Screw	6 x 10	4	4						P516047X01		
236	R63 007 087	H Screw	5 x 14 KNURLED (30 pcs)	4	4						KB00H418G02	*3	Chg.
237	R63 006 087	WFT Screw	5 x 12 (30 pcs)	2	2						KB00H418G01	*4	
238	R61 044 162	Frame assy MU	18HP	1							KB00T829G04		
239	R61 045 162	Frame assy MU	18HP	1							KB00T829G06		
240	R61 018 260	Transformer assy		1	1						KB00K063G02		



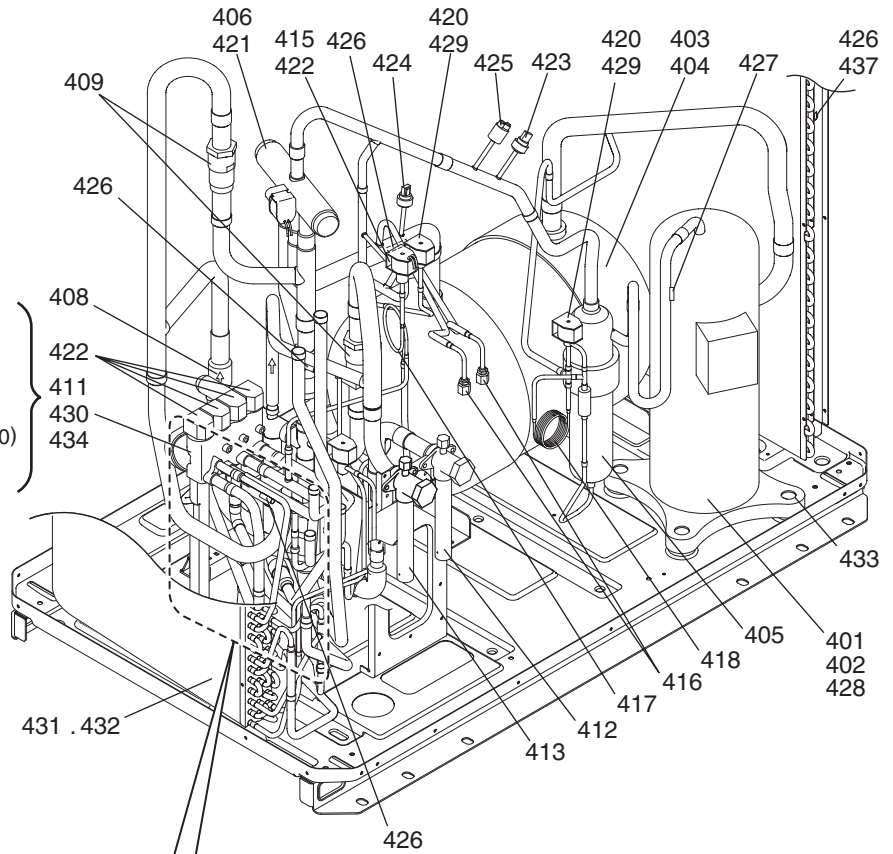
<To replace parts without the HEX removed> (\*5) (\*8)  
 Remove the solenoid valve block assembly (Figure 1), take the whole check valve assembly out of the unit (see figure below) and replace individual valve parts as required.  
 Only one part 336 (Connecting pipe section to HEX) is required when replacing one or more check valves.

<To replace parts with the HEX removed>  
 Individual replacement of parts 309 and 310 is possible.

\*5: Refer to the replacement instructions provided with parts 336 for details.  
 \*6: A capillary tube assy CP1 and a sheet of replacement instructions are included with Capillary tube assy service parts kits (No. 317).  
 \*7: A solenoid valve (SV1a) and a sheet of replacement instructions are included with Solenoid valve service parts kit (No. 335).  
 \*8: Part 336 is the connecting pipe with the sheet of replacement instructions.



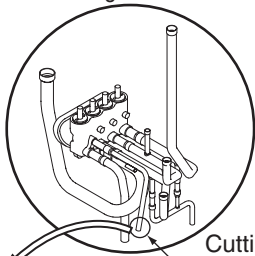




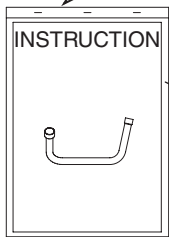
<To replace parts with the HEX removed>  
 Individual replacement of parts 411, 430, and 434 is possible.

<To replace parts without the HEX removed> (\*9) (\*10)  
 Replace parts 411, 430, and 434 with a service pipe assembly 435 (Figure 1).

Figure 1



Cutting pipes positions

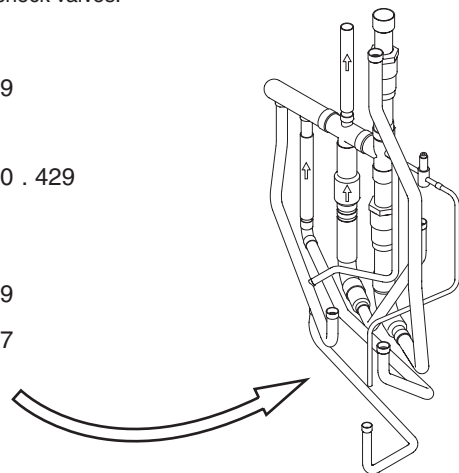
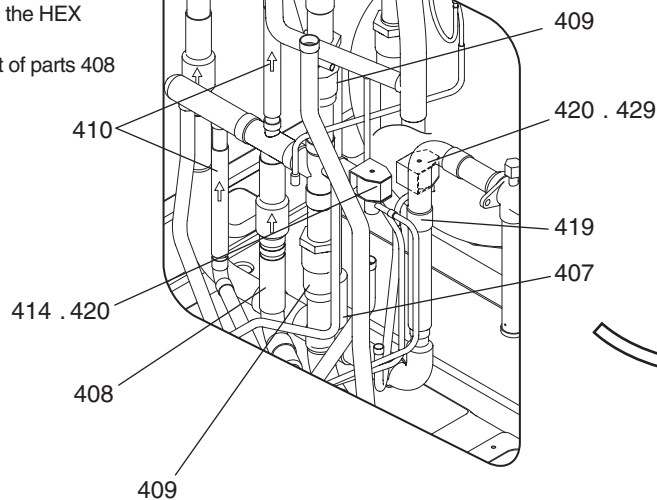


436

\*11 Service parts set of a connecting pipe

<To replace parts without the HEX removed> (\*9) (\*11)  
 Remove the solenoid valve block assembly (Figure 1), take the whole check valve assembly out of the unit (see figure below) and replace individual valve parts as required.  
 Only one part 436 (Connecting pipe section to HEX) is required when replacing one or more check valves.

<To replace parts with the HEX removed>  
 Individual replacement of parts 408 and 410 is possible.



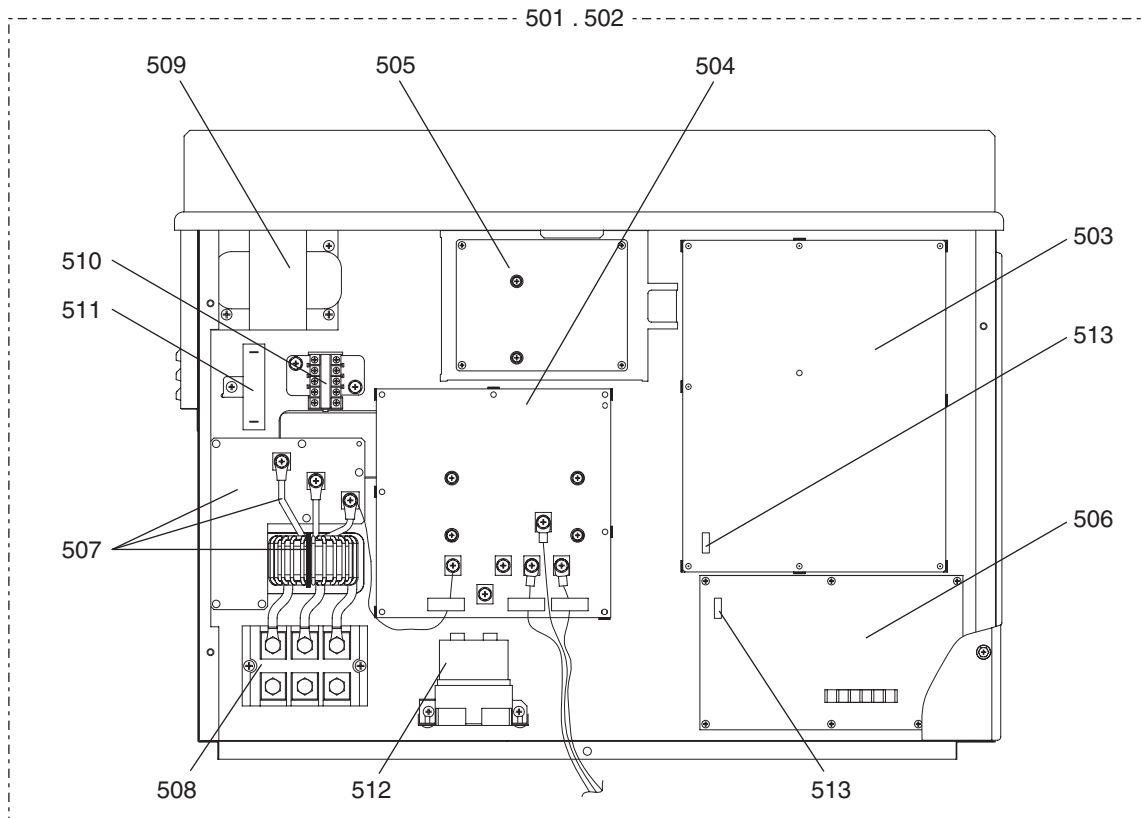
\*9 : Refer to the replacement instructions provided with parts 435 and 436 for details.

\*10: A solenoid valve block assy, a connecting pipe, and a sheet of replacement instructions are included with Solenoid valve block service parts kit (No. 435).

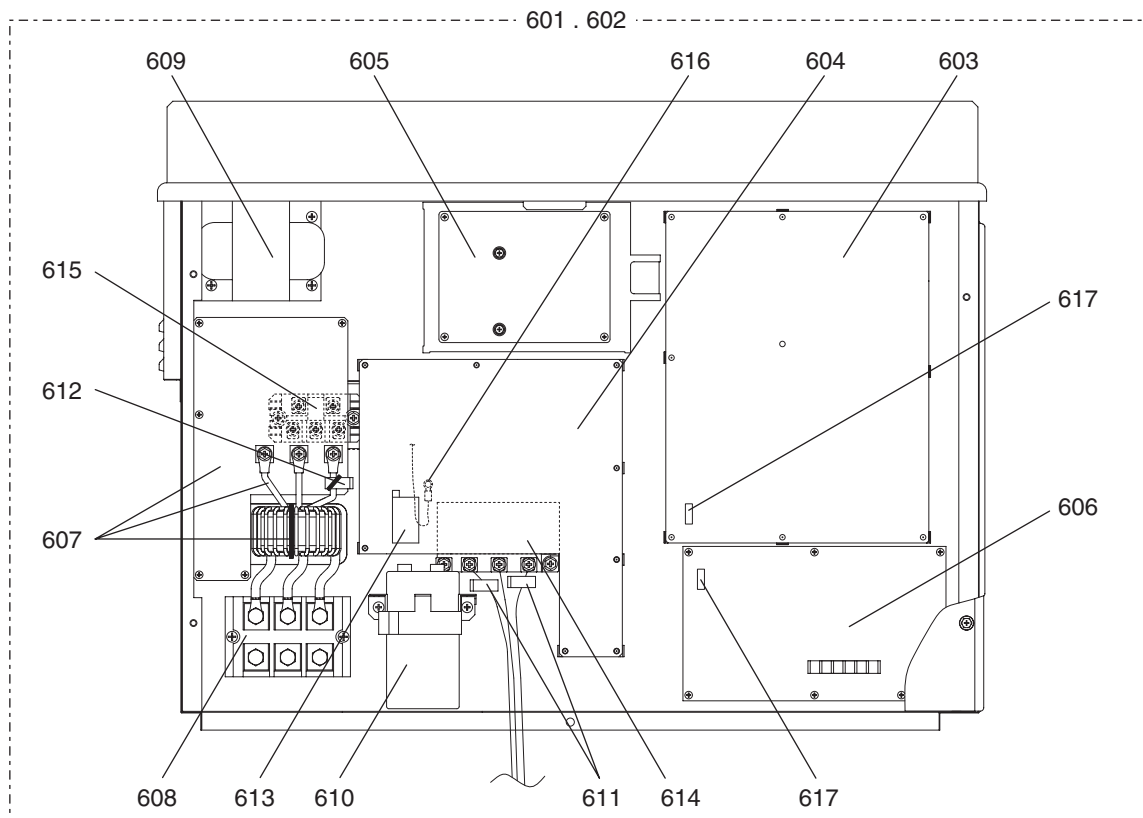
\*11: Part 436 is the connecting pipe with the sheet of replacement instructions.





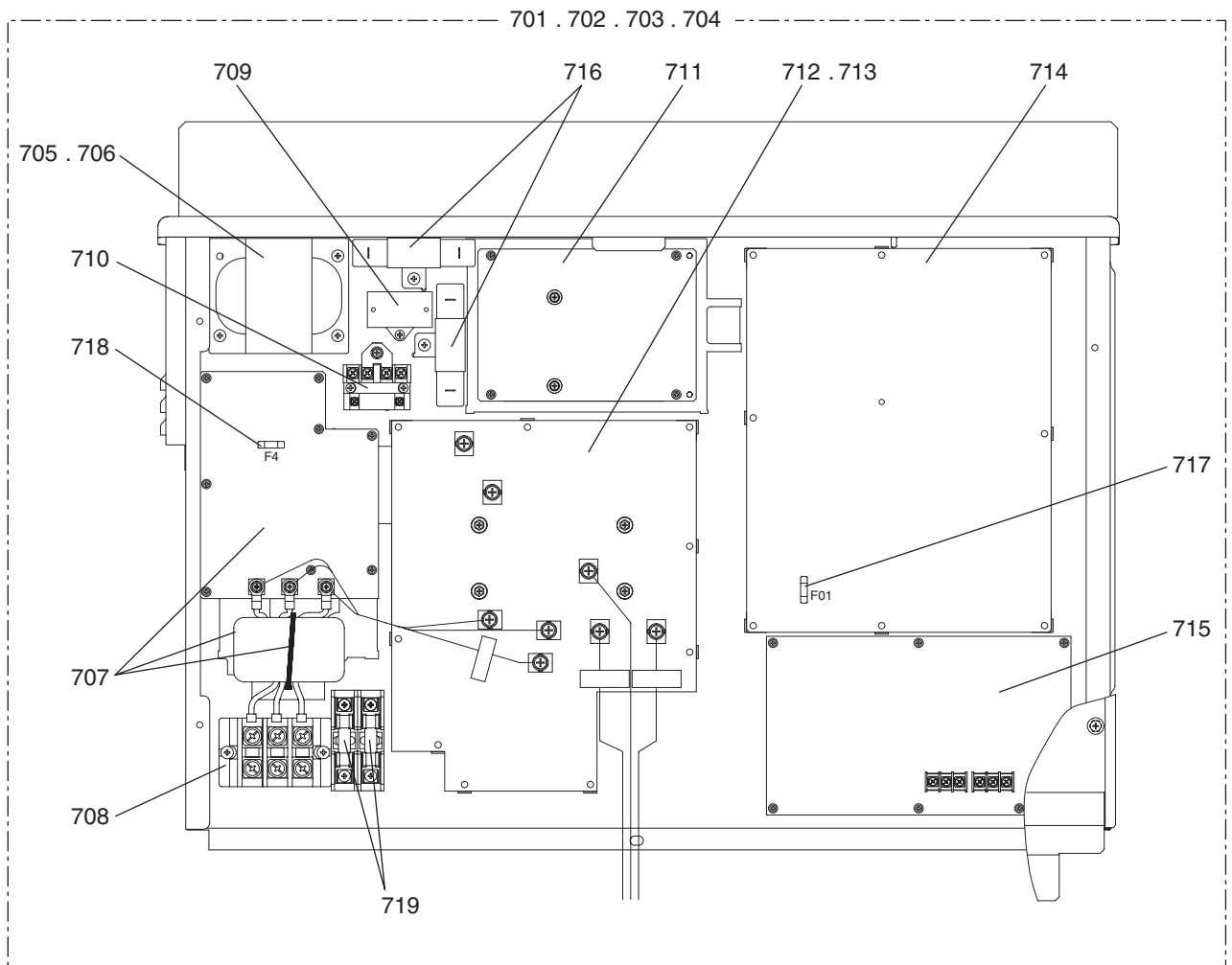














**mitsubishi**  
**MITSUBISHI ELECTRIC CORPORATION**

---

BWE0806D (20230731)