

# SERVICE PARTS LIST FOR MITSUBISHI ELECTRIC PACKAGED AIR-CONDITIONERS

Series : PUHY-P•TGMU-A(-BS)

For use with the R410A

REVISED

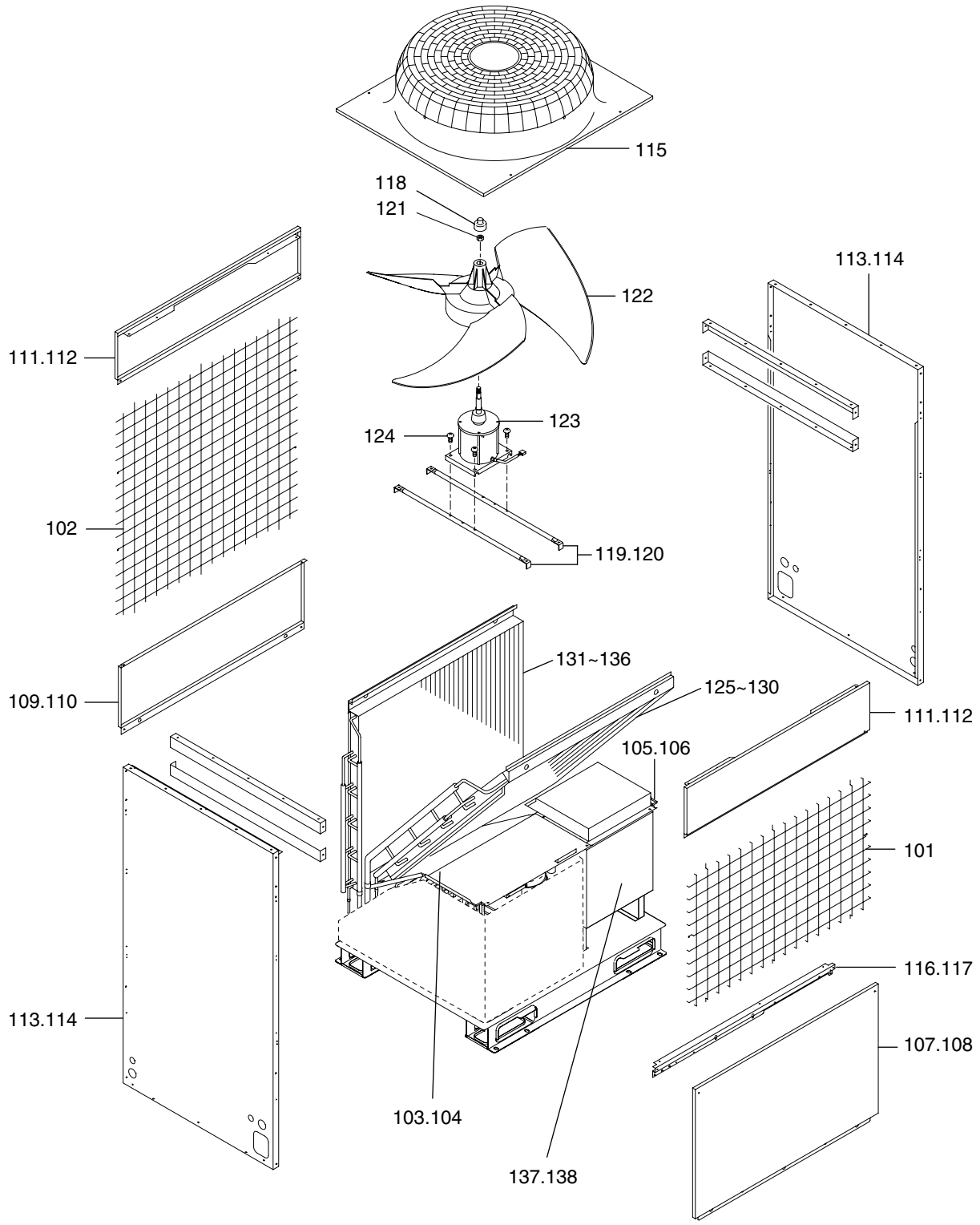
May. 2007

BWE0506E

## INDEX

PUHY-P72TGMU-A(-BS)  
PUHY-P96TGMU-A(-BS)  
PUHY-P108TGMU-A(-BS)  
PUHY-P126TGMU-A(-BS)  
PUHY-P144TGMU-A(-BS)  
PUHY-P168TGMU-A(-BS)  
PUHY-P192TGMU-A(-BS)  
PUHY-P204TGMU-A(-BS)  
PUHY-P216TGMU-A(-BS)  
PUHY-P234TGMU-A(-BS)





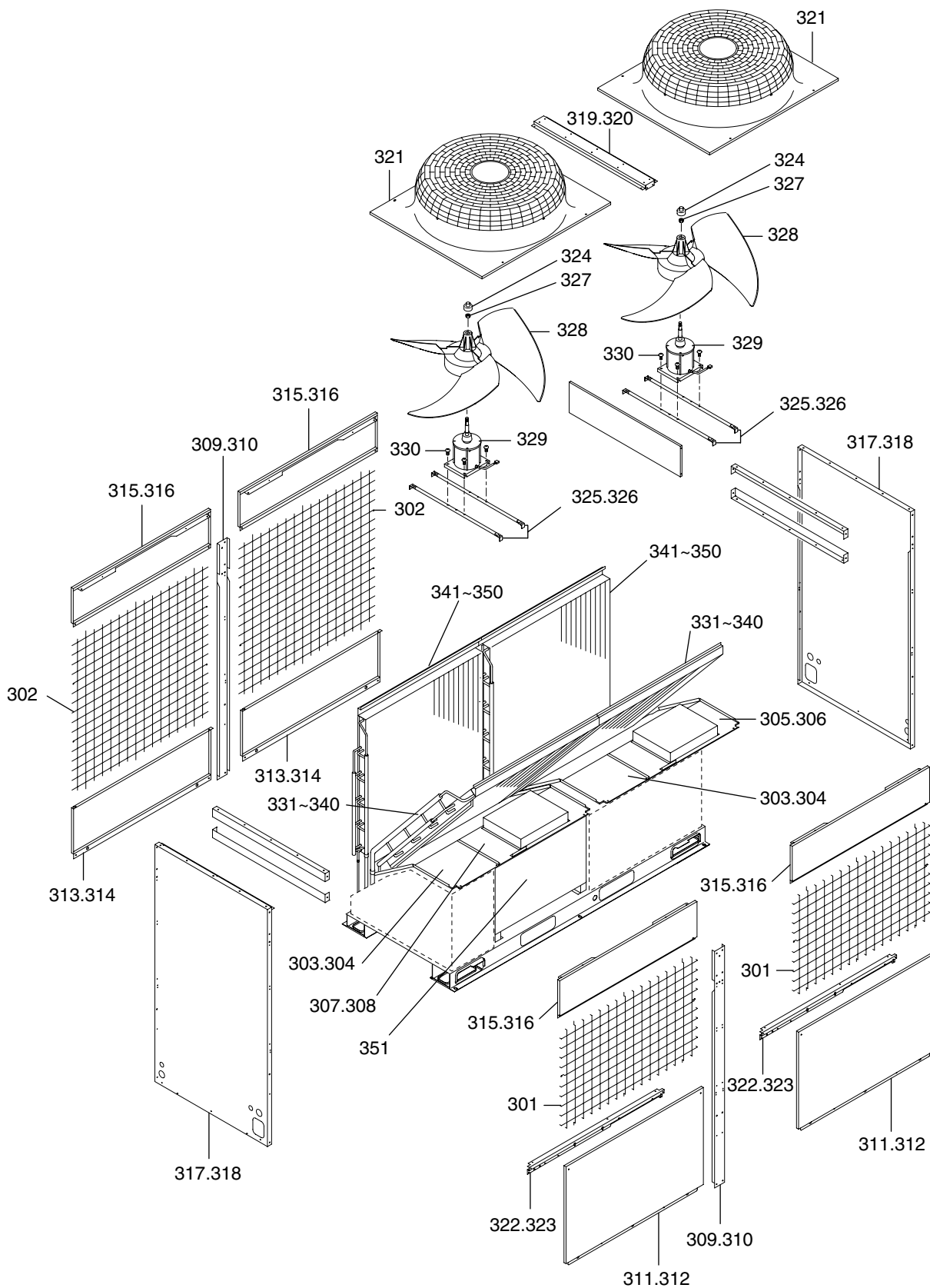






PUHY-P168,P192TGMU-A (-BS)  
PUHY-P204,P216TGMU-A (-BS)  
PUHY-P234TGMU-A (-BS)

EXTERNAL PARTS & BLOWER PARTS (3)



PUHY-P168,P192TGMU-A (-BS)  
 PUHY-P204,P216TGMU-A (-BS)  
 PUHY-P234TGMU-A (-BS)

EXTERNAL PARTS & BLOWER PARTS (3)

No.	Part No.	G : RoHS Apply Only W : RoHS Apply by Running Change		Spec.	PUHY-P168TGMU-A	PUHY-P192TGMU-A	PUHY-P204TGMU-A	PUHY-P216TGMU-A	PUHY-P234TGMU-A	Dwg. No.	Price	Revision History
			Part Name									
301	R63 E66 611	G	Guard F assy		2	2	2	2	2	W265788G01		
302	R63 A42 638	G	Guard B assy		2	2	2	2	2	W265789G01		
303	R63 R34 667	G	Partition board L assy		2	2	2	2	2	W656425G01		
304	R63 R35 667	G	Partition board L assy							W656425G02		
305	R63 R43 668	G	Partition board R assy		1	1	1	1	1	W656424G03		
306	R63 R44 668	G	Partition board R assy							W656424G04		
307	R63 R43 667	G	Partition board R assy		1	1	1	1	1	W656424G05		
308	R63 R44 667	G	Partition board R assy							W656424G06		
309	R63 R43 626	G	Stay M		2	2	2	2	2	W656007G05		
310	R63 R44 626	G	Stay M							W656007G02		
311	R63 R34 651	G	Panel F		2	2	2	2	2	W655252H01		
312	R63 R36 651	G	Panel F							W655252G02		
313	R63 Y32 652	G	Panel B		2	2	2	2	2	W655227H02		
314	R63 R36 677	G	Panel B							W655227G04		
315	R63 L78 653	G	Panel FU		4	4	4	4	4	W633746H06		
316	R63 R36 652	G	Panel FU							W633746G07		
317	R63 N78 661	G	Panel S		2	2	2	2	2	W272421H01		
318	R63 R36 661	G	Panel S							W272421G03		
319	R63 E66 125	G	Beam M		1	1	1	1	1	W623718G01		
320	R63 E67 125	G	Beam M							W623718G03		
321	R63 N78 118	G	Fan guard		2	2	2	2	2	W126832G02		
322	R63 A42 659	G	Frame F		2	2	2	2	2	W615888H18		
323	R63 A43 659	G	Frame F							W615888G09		
324	R61 A69 086	G	Cap		2	2	2	2	2	P221056X01		
325	R63 A42 140	G	Fan stand		4	4	4	4	4	W856127G05		
326	R63 A43 140	G	Fan stand							W856127G06		
327	R63 A42 122	G	Nut 16		2	2	2	2	2	P541016X01		
328	R63 N78 115	G	Propeller fan	750D	2	2	2	2	2	W126814G01		
329	R61 Y45 221	W	Motor EEOK-IOTV2	180V 33Hz	2	2	2	2	2	P714997X01		
330	R63 E90 087	G	Screw 6x14		8	8	8	8	8	P521020X01		
331	R61 Y36 482		Heat exchanger F		2					W662549G01		
332	R61 Y37 482		Heat exchanger F							W662549G08		
333	R61 Y38 482		Heat exchanger F			2				W662549G02		
334	R61 Y39 482		Heat exchanger F							W662549G09		
335	R61 Y54 482		Heat exchanger F				2			W662549G05		
336	R61 Y55 482		Heat exchanger F							W662549G12		
337	R61 Y56 482		Heat exchanger F				2			W662549G06		
338	R61 Y57 482		Heat exchanger F							W662549G13		
339	R61 Y58 482		Heat exchanger F					2		W662549G07		
340	R61 Y59 482		Heat exchanger F							W662549G14		
341	R61 Y42 482		Heat exchanger B		2					W662550G01		
342	R61 Y43 482		Heat exchanger B							W662550G08		
343	R61 Y44 482		Heat exchanger B			2				W662550G02		
344	R61 Y45 482		Heat exchanger B							W662550G09		
345	R61 Y60 482		Heat exchanger B				2			W662550G05		



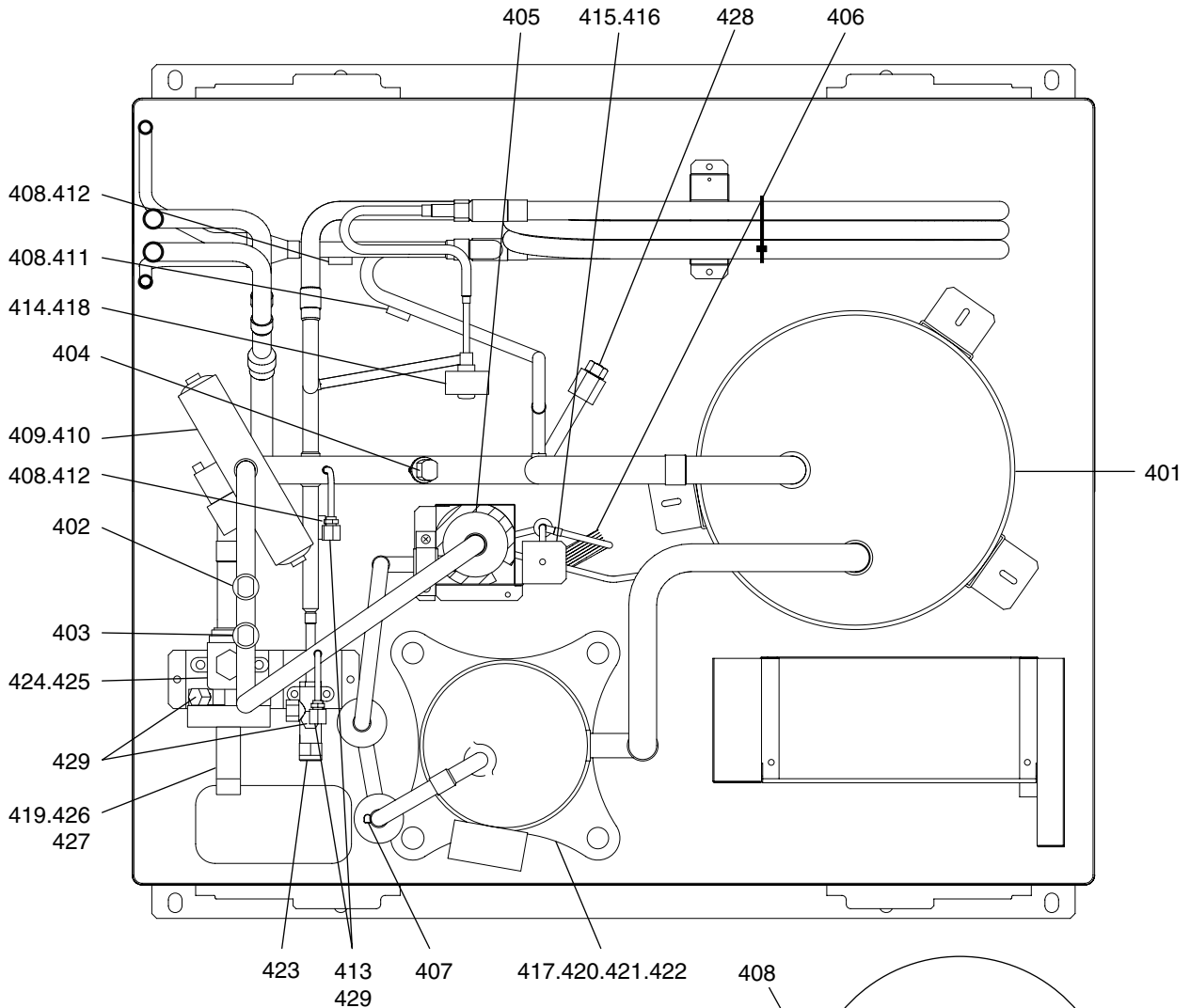


PUHY-P168,P192TGMU-A (-BS)  
 PUHY-P204,P216TGMU-A (-BS)  
 PUHY-P234TGMU-A (-BS)

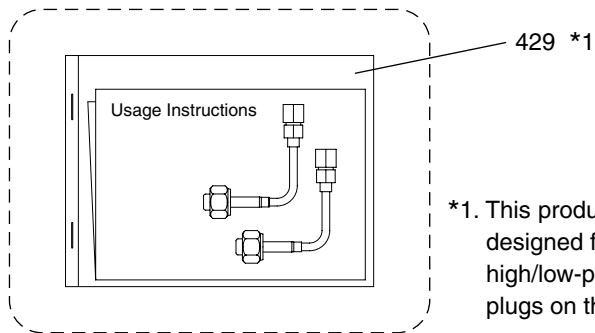
EXTERNAL PARTS & BLOWER PARTS (3)

No.	Part No.	G : RoHS Apply Only W : RoHS Apply by Running Change		Spec.	PUHY-P168TGMU-A-BS	PUHY-P192TGMU-A-BS	PUHY-P204TGMU-A-BS	PUHY-P216TGMU-A-BS	PUHY-P234TGMU-A-BS	Dwg. No.	Price	Revision History
			Part Name									
301	R63 E66 611	G	Guard F assy		2	2	2	2	2	W265788G01		
302	R63 A42 638	G	Guard B assy		2	2	2	2	2	W265789G01		
303	R63 R34 667	G	Partition board L assy							W656425G01		
304	R63 R35 667	G	Partition board L assy		2	2	2	2	2	W656425G02		
305	R63 R43 668	G	Partition board R assy							W656424G03		
306	R63 R44 668	G	Partition board R assy		1	1	1	1	1	W656424G04		
307	R63 R43 667	G	Partition board R assy							W656424G05		
308	R63 R44 667	G	Partition board R assy		1	1	1	1	1	W656424G06		
309	R63 R43 626	G	Stay M							W656007G05		
310	R63 R44 626	G	Stay M		2	2	2	2	2	W656007G02		
311	R63 R34 651	G	Panel F							W655252H01		
312	R63 R36 651	G	Panel F		2	2	2	2	2	W655252G02		
313	R63 Y32 652	G	Panel B							W655227H02		
314	R63 R36 677	G	Panel B		2	2	2	2	2	W655227G04		
315	R63 L78 653	G	Panel FU							W633746H06		
316	R63 R36 652	G	Panel FU		4	4	4	4	4	W633746G07		
317	R63 N78 661	G	Panel S							W272421H01		
318	R63 R36 661	G	Panel S		2	2	2	2	2	W272421G03		
319	R63 E66 125	G	Beam M							W623718G01		
320	R63 E67 125	G	Beam M		1	1	1	1	1	W623718G03		
321	R63 N78 118	G	Fan guard		2	2	2	2	2	W126832G02		
322	R63 A42 659	G	Frame F							W615888H18		
323	R63 A43 659	G	Frame F		2	2	2	2	2	W615888G09		
324	R61 A69 086	G	Cap		2	2	2	2	2	P221056X01		
325	R63 A42 140	G	Fan stand							W856127G05		
326	R63 A43 140	G	Fan stand		4	4	4	4	4	W856127G06		
327	R63 A42 122	G	Nut 16		2	2	2	2	2	P541016X01		
328	R63 N78 115	G	Propeller fan	750D	2	2	2	2	2	W126814G01		
329	R61 Y45 221	W	Motor EEOK-IOTV2	180V 33Hz	2	2	2	2	2	P714997X01		
330	R63 E90 087	G	Screw 6x14		8	8	8	8	8	P521020X01		
331	R61 Y36 482		Heat exchanger F							W662549G01		
332	R61 Y37 482		Heat exchanger F		2					W662549G08		
333	R61 Y38 482		Heat exchanger F							W662549G02		
334	R61 Y39 482		Heat exchanger F			2				W662549G09		
335	R61 Y54 482		Heat exchanger F							W662549G05		
336	R61 Y55 482		Heat exchanger F				2			W662549G12		
337	R61 Y56 482		Heat exchanger F							W662549G06		
338	R61 Y57 482		Heat exchanger F					2		W662549G13		
339	R61 Y58 482		Heat exchanger F							W662549G07		
340	R61 Y59 482		Heat exchanger F						2	W662549G14		
341	R61 Y42 482		Heat exchanger B							W662550G01		
342	R61 Y43 482		Heat exchanger B		2					W662550G08		
343	R61 Y44 482		Heat exchanger B							W662550G02		
344	R61 Y45 482		Heat exchanger B			2				W662550G09		
345	R61 Y60 482		Heat exchanger B							W662550G05		



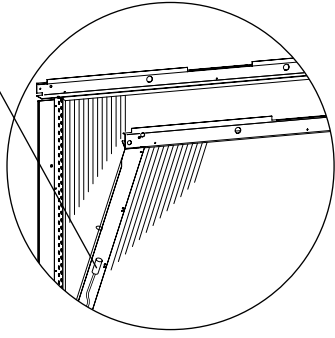
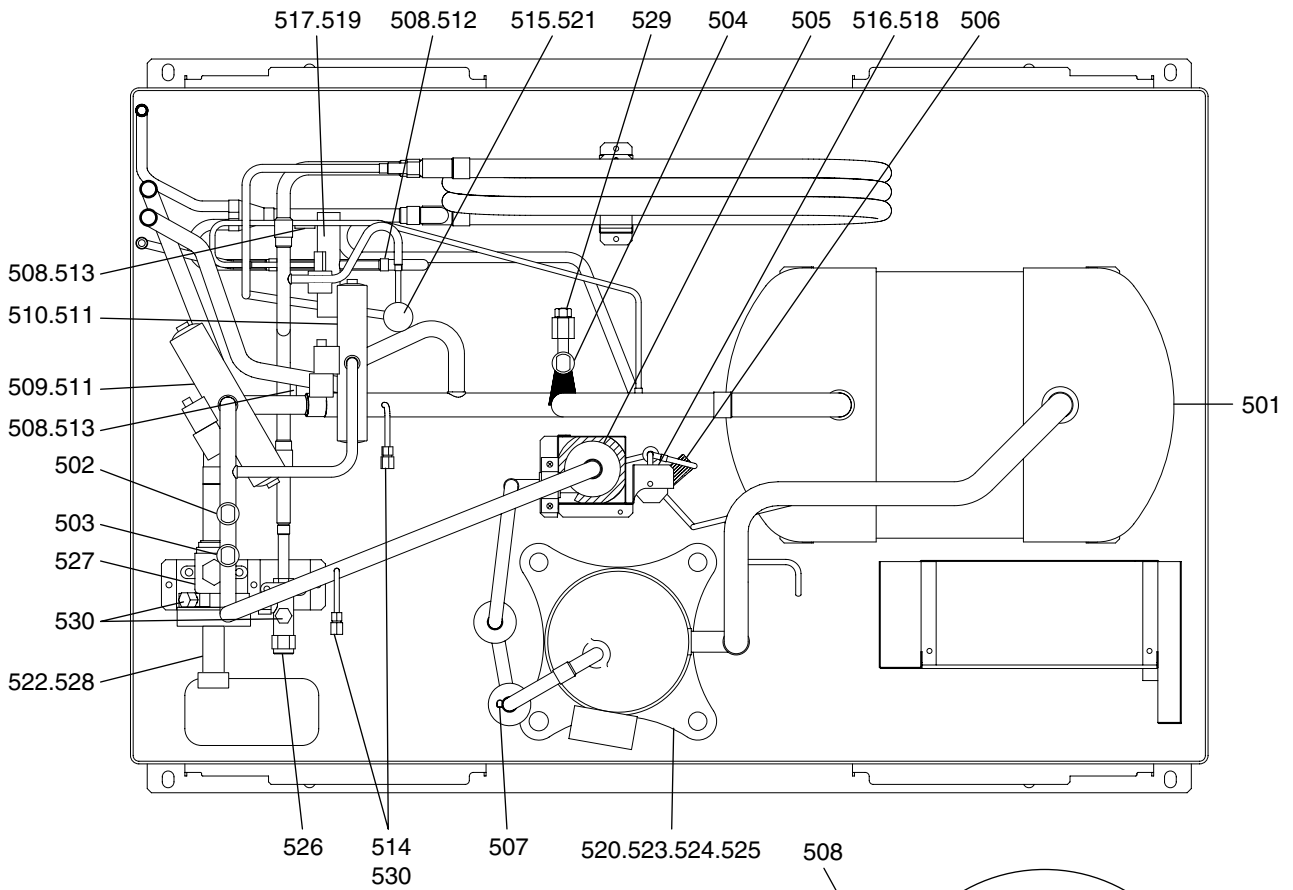


ACCESSORY (ADAPTER)

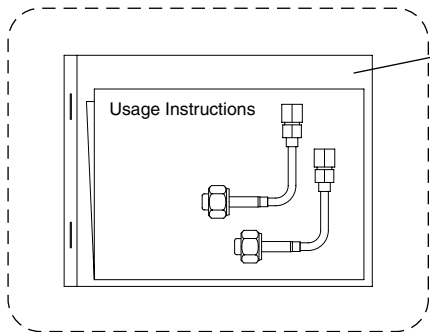


\*1. This product is an adapter that allows the use of tools designed for use with 1/4"-diameter materials with the high/low-pressure pipes and 5/16"-diameter charge plugs on the 2 ball valves on the unit body.





ACCESSORY (ADAPTER)



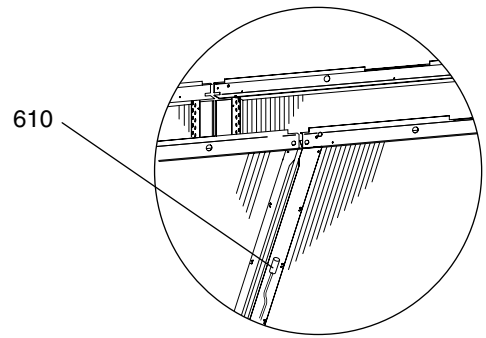
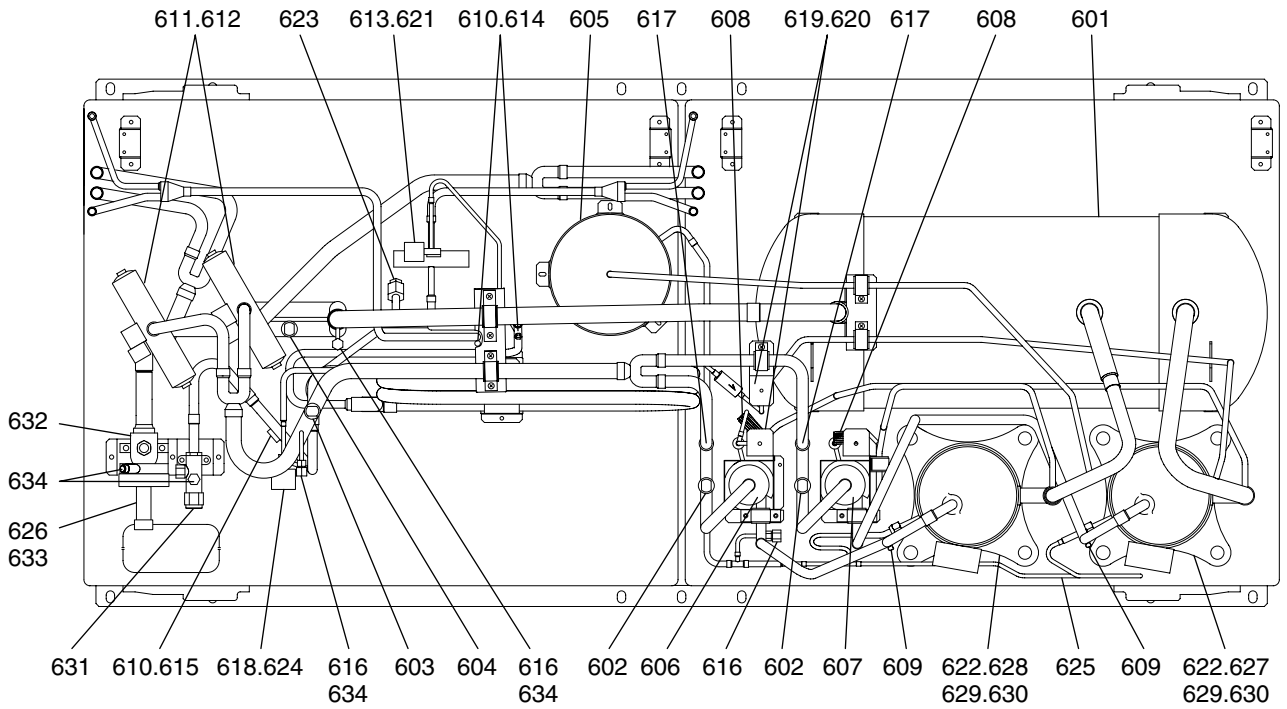
530 \*1

\*1. This product is an adapter that allows the use of tools designed for use with 1/4"-diameter materials with the high/low-pressure pipes and 5/16"-diameter charge plugs on the 2 ball valves on the unit body.

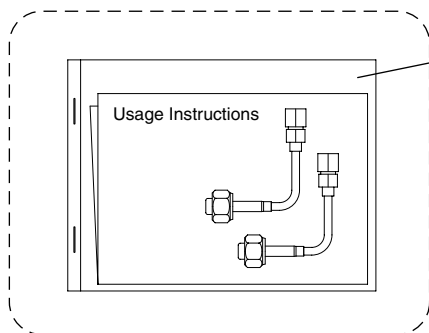


PUHY-P168,P192TGMU-A (-BS)  
 PUHY-P204,P216TGMU-A (-BS)  
 PUHY-P234TGMU-A (-BS)

FUNCTIONAL PARTS (3)



ACCESSORY (ADAPTER)



634 \*1

\*1. This product is an adapter that allows the use of tools designed for use with 1/4"-diameter materials with the high/low-pressure pipes and 5/16"-diameter charge plugs on the 2 ball valves on the unit body.

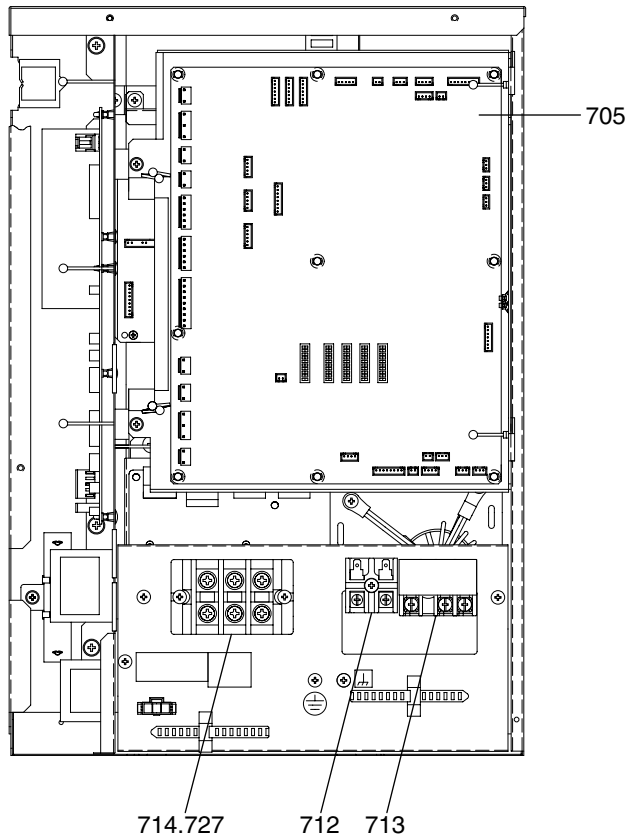
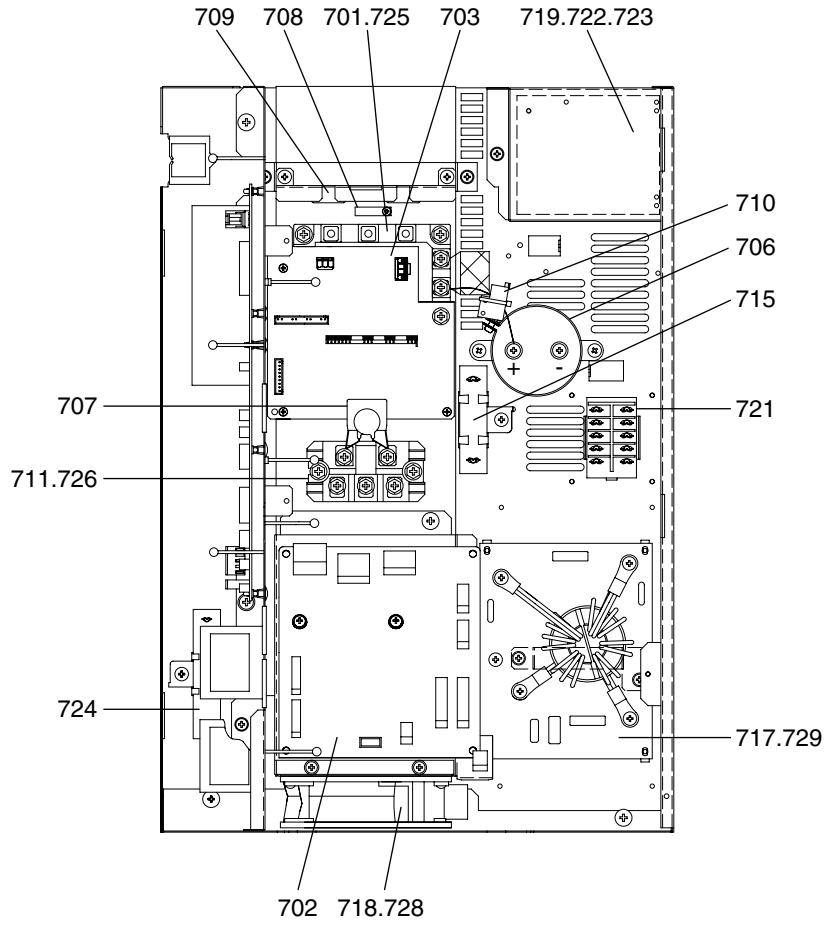
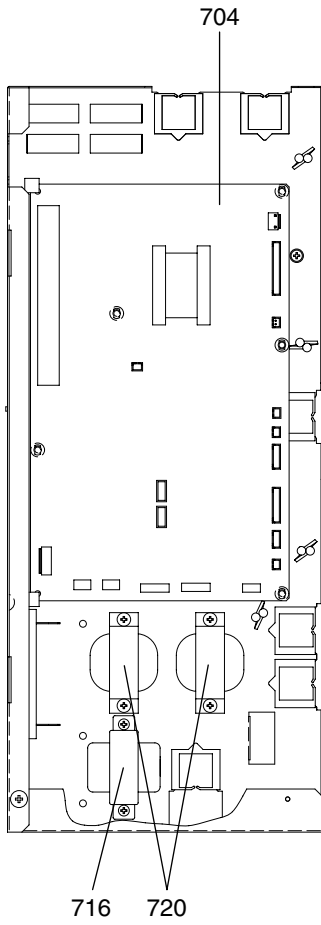






PUHY-P72,P96TGMU-A(-BS)  
 PUHY-P108,P126TGMU-A(-BS)  
 PUHY-P144TGMU-A(-BS)

CONTROL BOX PARTS (1)







PUHY-P168,P192TGMU-A (-BS)  
 PUHY-P204,P216TGMU-A (-BS)  
 PUHY-P234TGMU-A (-BS)

CONTROL BOX PARTS (2)

