

SERVICE PARTS LIST FOR MITSUBISHI ELECTRIC PACKAGED AIR-CONDITIONERS

Series : PURY-P·T(S)KMU-A(-BS)
PURY-P·Y(S)KMU-A(-BS)

For use with the R410A

REVISED

Sept. 2020

BWE1207E

INDEX

PURY-P72TKMU-A(-BS)
PURY-P96TKMU-A(-BS)
PURY-P120TKMU-A(-BS)
PURY-P144TKMU-A(-BS)
PURY-P72YKMU-A(-BS)
PURY-P96YKMU-A(-BS)
PURY-P120YKMU-A(-BS)
PURY-P144YKMU-A(-BS)

Refer to the next page for the package names.

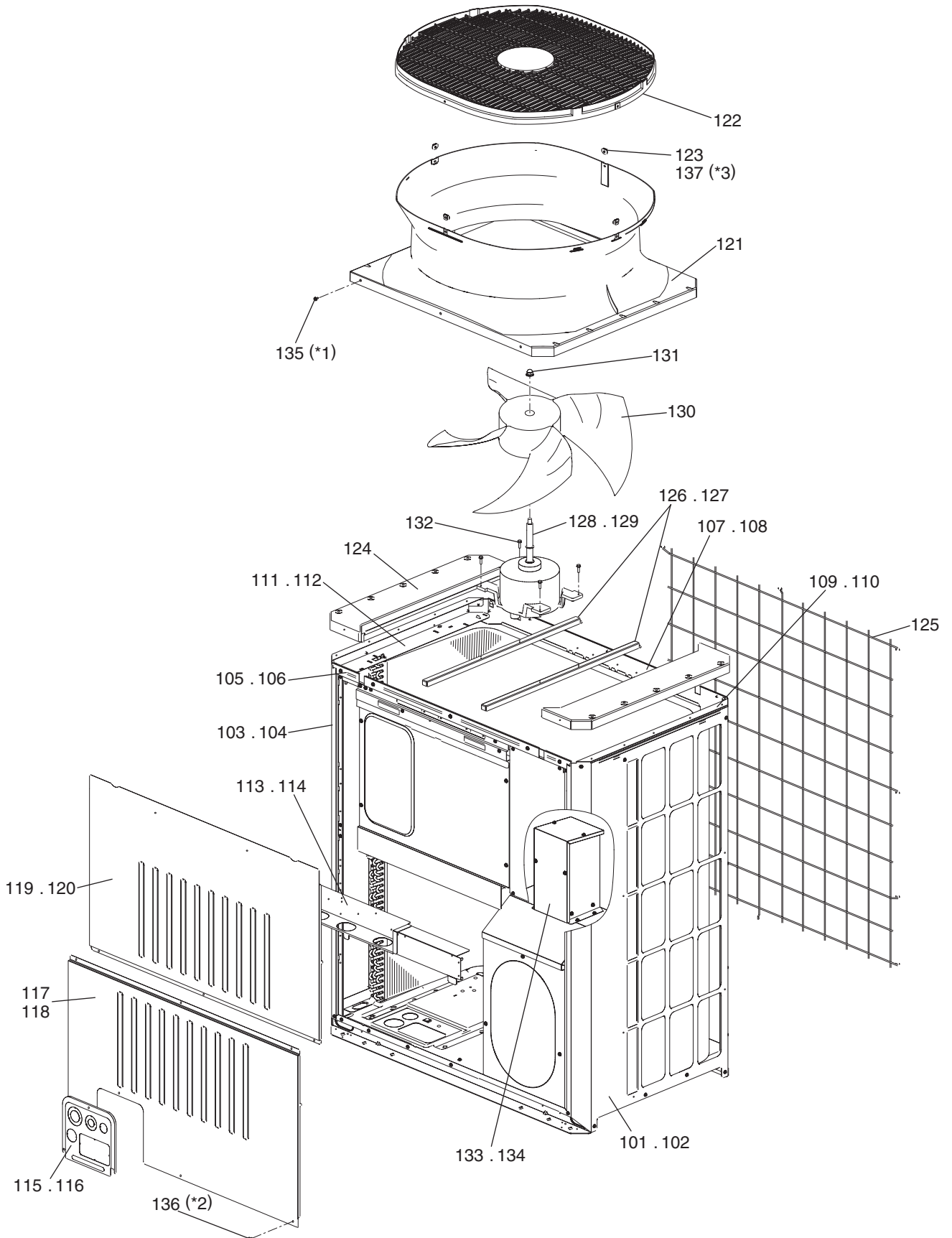
Part information update day : 2020/08/25

Please change the old catalog (issued July 2019, No.BWE1207D) to this new catalog.
Content of revision : Some of parts are changed.

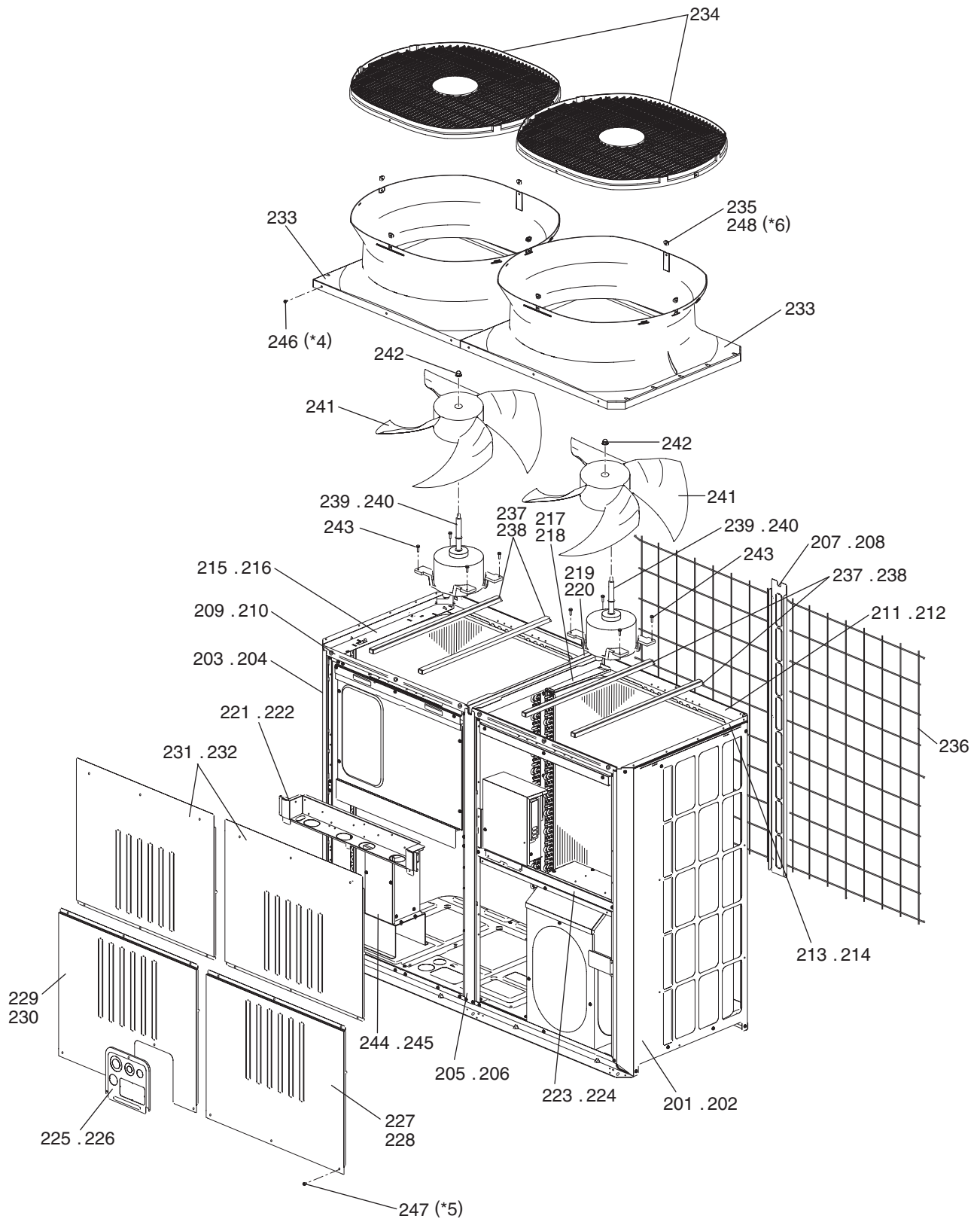


The Package name list

PURY-P168TSKMU-A(-BS)	[PURY-P72TKMU-A(-BS) + PURY-P96TKMU-A(-BS)]
PURY-P192TSKMU-A(-BS)	[PURY-P96TKMU-A(-BS) + PURY-P96TKMU-A(-BS)]
PURY-P216TSKMU-A(-BS)	[PURY-P96TKMU-A(-BS) + PURY-P120TKMU-A(-BS)]
PURY-P240TSKMU-A(-BS)	[PURY-P120TKMU-A(-BS) + PURY-P120TKMU-A(-BS)]
PURY-P264TSKMU-A(-BS)	[PURY-P120TKMU-A(-BS) + PURY-P144TKMU-A(-BS)]
PURY-P288TSKMU-A(-BS)	[PURY-P144TKMU-A(-BS) + PURY-P144TKMU-A(-BS)]
PURY-P144YSKMU-A(-BS)	[PURY-P72YKMU-A(-BS) + PURY-P72YKMU-A(-BS)]
PURY-P168YSKMU-A(-BS)	[PURY-P72YKMU-A(-BS) + PURY-P96YKMU-A(-BS)]
PURY-P192YSKMU-A(-BS)	[PURY-P96YKMU-A(-BS) + PURY-P96YKMU-A(-BS)]
PURY-P216YSKMU-A(-BS)	[PURY-P96YKMU-A(-BS) + PURY-P120YKMU-A(-BS)]
PURY-P240YSKMU-A(-BS)	[PURY-P120YKMU-A(-BS) + PURY-P120YKMU-A(-BS)]
PURY-P264YSKMU-A(-BS)	[PURY-P120YKMU-A(-BS) + PURY-P144YKMU-A(-BS)]
PURY-P288YSKMU-A(-BS)	[PURY-P144YKMU-A(-BS) + PURY-P144YKMU-A(-BS)]



- *1 PURY-P72,P96TKMU-A(-BS)...26 WFT Screws (part No.135),
 PURY-P72,P96YKMU-A(-BS)...42 WFT Screws (part No.135)
- *2 PURY-P72,P96TKMU-A(-BS)...87 H Screws (part No.136),
 PURY-P72,P96YKMU-A(-BS)...92 H Screws (part No.136)
- *3 4 WFT Screws (part No.137)

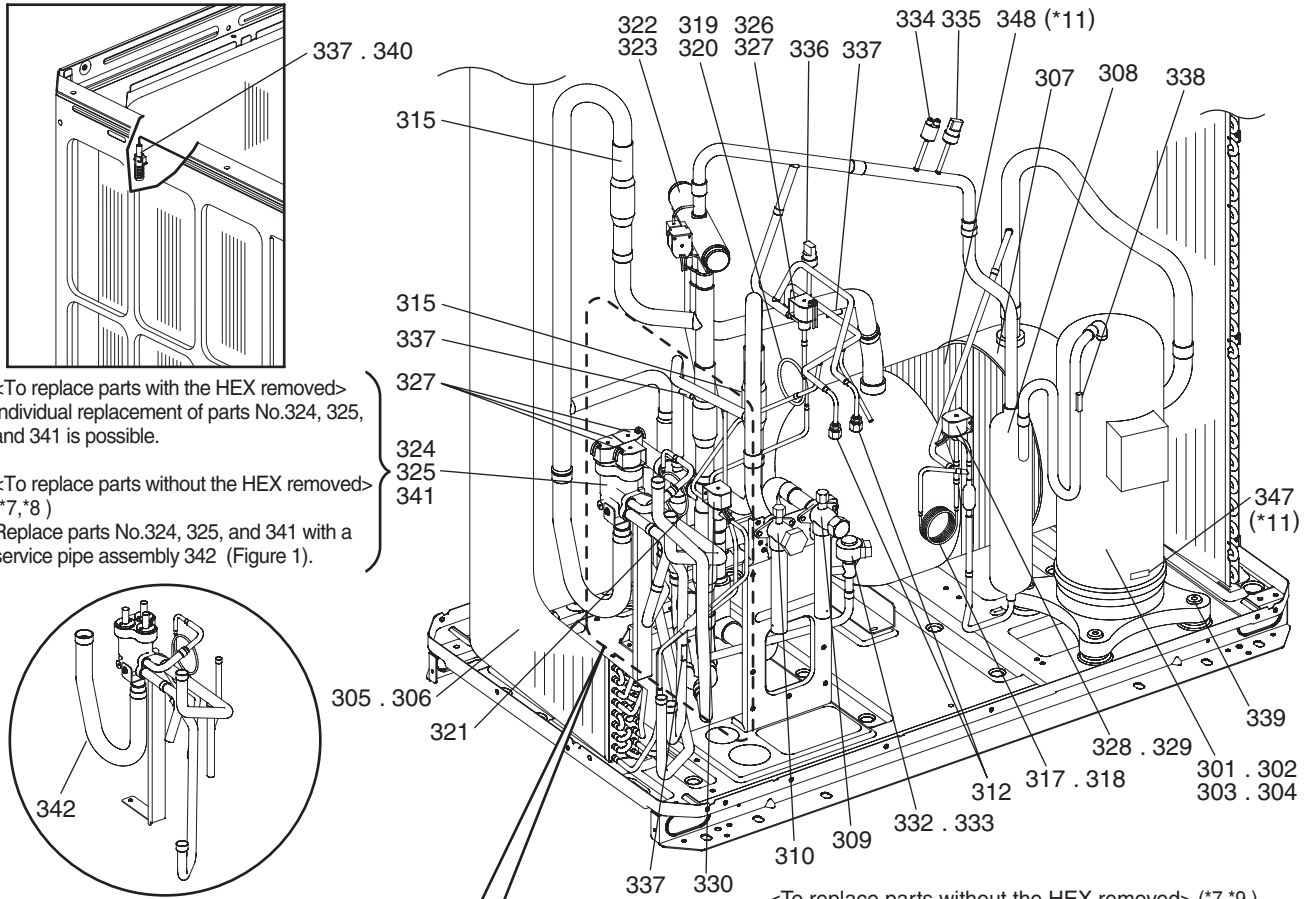


*4 PURY-P120,P144TKMU-A(-BS)...36 WFT Screws (part No.246),
 PURY-P120,P144YKMU-A(-BS)...52 WFT Screws (part No.246)
 *5 PURY-P120,P144TKMU-A(-BS)...133 H Screws (part No.247),
 PURY-P120,P144YKMU-A(-BS)...141 H Screws (part No.247)
 *6 8 WFT Screws (part No.248)

No.	Part No.	Part Name	Spec.	PURY-P120TKMU-A	PURY-P120TKMU-A-BS	PURY-P144TKMU-A	PURY-P144TKMU-A-BS	PURY-P120YKMU-A	PURY-P120YKMU-A-BS	Dwg. No.	Notes for the models	Revision info.
201	R63 052 652	Panel R		1		1		1		KB02A370G05		
202	R61 041 661	Panel R	BS		1		1		1	KB02A370G04		
203	R63 050 652	Panel L		1		1		1		KB02A369G07		
204	R63 051 652	Panel L	BS		1		1		1	KB02A369G08		
205	R61 022 626	Pillar assy MF		1		1		1		KD00R845G09		
206	R61 023 626	Pillar assy MF	BS		1		1		1	KD00R845G10		
207	R61 020 626	Pillar MB		1		1		1		KB02J843G01		
208	R61 019 626	Pillar MB	BS		1		1		1	KB02J843G02		
209	R61 061 162	Frame assy F		1		1		1		KD00L182G03		
210	R61 060 162	Frame assy F	BS		1		1		1	KD00L182G05		
211	R61 085 162	Frame assy B		1		1		1		KD00L073G07		
212	R61 086 162	Frame assy B	BS		1		1		1	KD00L073G08		
213	R61 107 162	Frame assy LR		1		1		1		KD00L021G05		
214	R61 108 162	Frame assy LR	BS		1		1		1	KD00L021G06		
215	R61 109 162	Frame assy L		1		1		1		KD00L149G05		Chg.
216	R61 068 162	Frame assy L	BS		1		1		1	KD00L149G04		
217	R61 003 499	Plate HEX assy		1		1		1		KB00T714G01		
218	R61 004 499	Plate HEX assy	BS		1		1		1	KB00T714G02		
219	R61 072 162	Frame MT		1		1		1		KB02J833H01		
220	R61 073 162	Frame MT	BS		1		1		1	KB02J833G01		
221	R61 090 162	Frame M assy		1		1		1		KD00L159G11		
222	R61 089 162	Frame M assy	BS		1		1		1	KD00L159G12		
223	R61 058 162	Frame MR		1		1		1		KD02G743H04		
224	R61 059 162	Frame MR	BS		1		1		1	KD02G743G02		
225	R61 120 690	Piping cover		1		1		1		KB02L912G07		
226	R61 121 690	Piping cover	BS		1		1		1	KB02L912G08		
227	R61 212 651	Panel FBR		1		1		1		KB02J838H04		
228	R61 213 651	Panel FBR	BS		1		1		1	KB02J838G06		
229	R61 182 651	Panel FBL		1		1		1		KB02J837H02		
230	R61 183 651	Panel FBL	BS		1		1		1	KB02J837G04		
231	R61 177 651	Panel FU		2		2		2		KB02J839H01		
232	R61 178 651	Panel FU	BS		2		2		2	KB02J839G02		
233	R61 005 119	Bell mouth		2	2	2	2	2	2	KB25A367G01		
234	R11 003 009	Fan guard		2	2	2	2	2	2	KB25V019G01		
235	R61 009 669	Plate Fan guard		8	8	8	8	8	8	KD02D205H02		
236	R61 010 611	Fin guard B		2	2	2	2	2	2	KB07N272G01		
237	R61 016 140	Base fan		4		4		4		KD02D026H01		
238	R61 017 140	Base fan	BS		4		4		4	KD02D026G04		
239	R61 166 220	Motor	L-920-A-1 T AC200-230-920W	2	2	2	2			P780224X02	208V-230V	
240	R61 167 220	Motor	L-920-B4-1 Y AC380-400-920W					2	2	P780225X02	460V	
241	R61 001 300	Fan		2	2	2	2	2	2	KB25A009H05		
242	R63 4H6 122	Box nut	M12 CH	2	2	2	2	2	2	P552000X01		
243	R61 028 087	Upset Screw	M6 x 22	8	8	8	8	8	8	P516049X01		
244	R61 072 260	Transformer assy							1	KD00C027G03		Chg.
245	R61 071 260	Transformer assy	BS						1	KD00C027G04		Chg.

No.	Part No.	Part Name	Spec.	PURY-P144TKMU-A	PURY-P144YKMU-A					Dwg. No.	Notes for the models	Revision info.
201	R63 052 652	Panel R		1						KB02A370G05		
202	R61 041 661	Panel R	BS	1						KB02A370G04		
203	R63 050 652	Panel L		1						KB02A369G07		
204	R63 051 652	Panel L	BS	1						KB02A369G08		
205	R61 022 626	Pillar assy MF		1						KD00R845G09		
206	R61 023 626	Pillar assy MF	BS	1						KD00R845G10		
207	R61 020 626	Pillar MB		1						KB02J843G01		
208	R61 019 626	Pillar MB	BS	1						KB02J843G02		
209	R61 061 162	Frame assy F		1						KD00L182G03		
210	R61 060 162	Frame assy F	BS	1						KD00L182G05		
211	R61 085 162	Frame assy B		1						KD00L073G07		
212	R61 086 162	Frame assy B	BS	1						KD00L073G08		
213	R61 107 162	Frame assy LR		1						KD00L021G05		
214	R61 108 162	Frame assy LR	BS	1						KD00L021G06		
215	R61 109 162	Frame assy L		1						KD00L149G05		Chg.
216	R61 068 162	Frame assy L	BS	1						KD00L149G04		
217	R61 003 499	Plate HEX assy		1						KB00T714G01		
218	R61 004 499	Plate HEX assy	BS	1						KB00T714G02		
219	R61 072 162	Frame MT		1						KB02J833H01		
220	R61 073 162	Frame MT	BS	1						KB02J833G01		
221	R61 090 162	Frame M assy		1						KD00L159G11		
222	R61 089 162	Frame M assy	BS	1						KD00L159G12		
223	R61 058 162	Frame MR		1						KD02G743H04		
224	R61 059 162	Frame MR	BS	1						KD02G743G02		
225	R61 120 690	Piping cover		1						KB02L912G07		
226	R61 121 690	Piping cover	BS	1						KB02L912G08		
227	R61 212 651	Panel FBR		1						KB02J838H04		
228	R61 213 651	Panel FBR	BS	1						KB02J838G06		
229	R61 182 651	Panel FBL		1						KB02J837H02		
230	R61 183 651	Panel FBL	BS	1						KB02J837G04		
231	R61 177 651	Panel FU		2						KB02J839H01		
232	R61 178 651	Panel FU	BS	2						KB02J839G02		
233	R61 005 119	Bell mouth		2	2					KB25A367G01		
234	R11 003 009	Fan guard		2	2					KB25V019G01		
235	R61 009 669	Plate Fan guard		8	8					KD02D205H02		
236	R61 010 611	Fin guard B		2	2					KB07N272G01		
237	R61 016 140	Base fan		4						KD02D026H01		
238	R61 017 140	Base fan	BS	4						KD02D026G04		
239	R61 166 220	Motor	L-920-A-1 T AC200-230-920W							P780224X02	208V-230V	
240	R61 167 220	Motor	L-920-B4-1 Y AC380-400-920W	2	2					P780225X02	460V	
241	R61 001 300	Fan		2	2					KB25A009H05		
242	R63 4H6 122	Box nut	M12 CH	2	2					P552000X01		
243	R61 028 087	Upset Screw	M6 x 22	8	8					P516049X01		
244	R61 072 260	Transformer assy		1						KD00C027G03		Chg.
245	R61 071 260	Transformer assy	BS	1						KD00C027G04		Chg.

No.	Part No.	Part Name	Spec.	PURY-P144TKMU-A	PURY-P144YKMU-A(-BS)					Dwg. No.	Notes for the models	Revision info.
246	R63 006 087	WFT Screw	M5 x 12 (30pcs)	2	2					KB00H418G01	*4	
247	R61 048 087	H Screw	M5 x 10 KNURLED (30pcs)	5	5					KB00H418G14	*5	
248	R63 029 087	WFT Screw	M5 x 16 (10pcs)	1	1					KD00H026G01	*6	



<To replace parts with the HEX removed>
 Individual replacement of parts No.324, 325, and 341 is possible.

<To replace parts without the HEX removed> (*7,*8)
 Replace parts No.324, 325, and 341 with a service pipe assembly 342 (Figure 1).

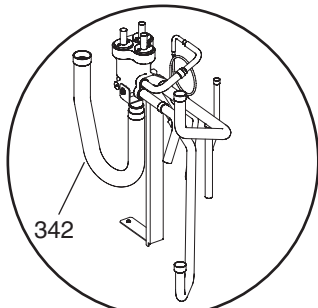


Figure 1

<To replace parts with the HEX removed>
 Individual replacement of parts No.314, 315, and 316 is possible.

<To replace parts without the HEX removed> (*7,*9)
 Remove the solenoid valve block assembly (Figure 1), take the check valve assembly (see figure below) out of the unit, and replace parts No.343, 344, 345.

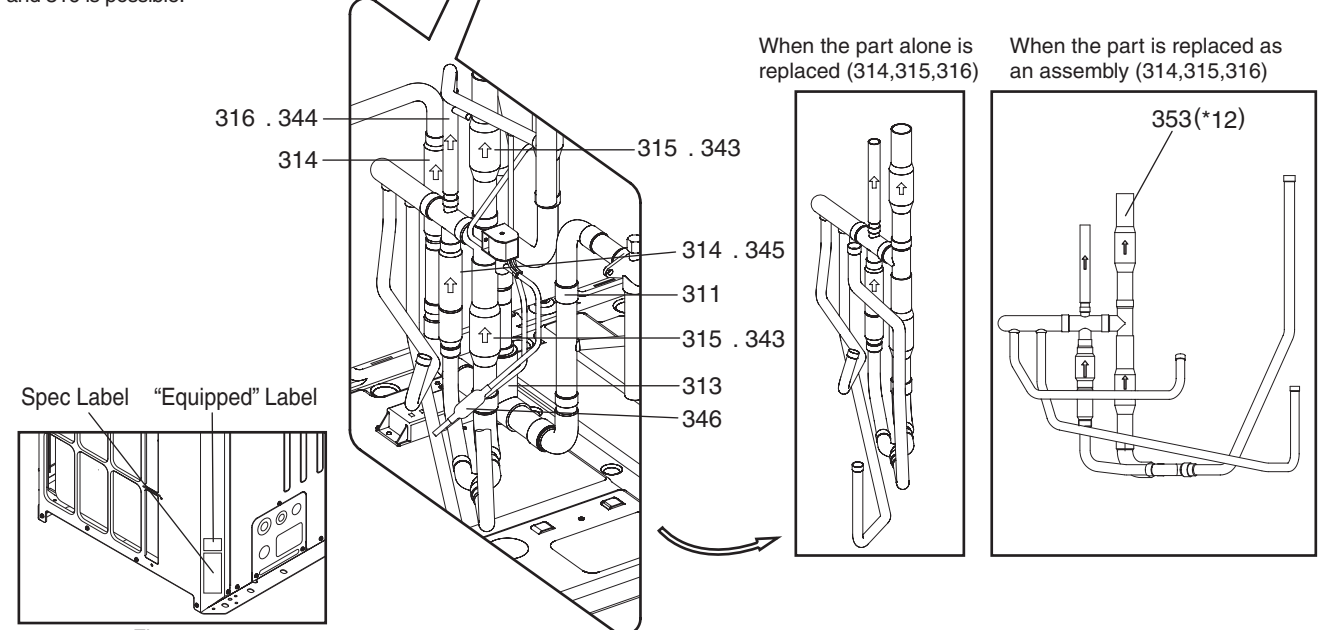


Figure 2

*7 Refer to the replacement instructions provided with parts No.342, 343, 344, and 345 for details.
 *8 A solenoid valve block assy and a sheet of replacement instructions are included with Solenoid valve block service parts kit (No.342).
 *9 A check valve and a sheet of replacement instructions are included with Service parts with instructions (No.343, 344, 345).
 *10 Use a strainer (No.346) for units manufactured after Aug. 2013.
 *11 If "Equipped" label as shown in Figure 2 is attached on the unit, order the Compressor shell kit part No.347 and Accumulator heater kit part No.348. If it is not attached, order the Sensor kit part No.349, 350, 351 or 352.
 *12 For how to attach part No.353, refer to the replacement instruction in the service handbook.
 Actual external appearance of some service parts may differ from the figure.

No.	Part No.	Part Name	Spec.	PURY-P72TKMU-A	PURY-P72TKMU-A-BS	PURY-P96TKMU-A	PURY-P96TKMU-A-BS	PURY-P72YKMU-A	PURY-P72YKMU-A-BS	Dwg. No.	Notes for the models	Revision info.
301	R69 092 478	Scroll compressor	ENB62FA-U	1	1					EP10132B02	208V-230V	
302	R69 093 478	Scroll compressor	ENB62FA-YE					1	1	EP10132B03	460V	
303	R69 094 478	Scroll compressor	HNB83FA-U			1	1			EP10136B01	208V-230V	
304	R69 208 478	Scroll compressor	HNB83FA2-YE							EP10136B15	460V	Chg.
305	R61 640 480	Heat exchanger	3L	1		1		1		KD01R776G11		
306	R61 641 480	Heat exchanger	3L BS		1		1		1	KD01R776G12		
307	R61 090 484	Accumulator assy		1	1	1	1	1	1	KB54B479G53		
308	R61 034 487	Oil separator assy		1	1	1	1	1	1	KD00R699G01		
309	R61 002 540	Valve	VSAMH8SSCM-A	1	1	1	1	1	1	P636343X01	<(LP)BV1>	
310	R61 025 538	Valve	VSAMH8SSCM-LA1 D25.4	1	1	1	1	1	1	P636353X01	<(HP)BV2>	Chg.
311	R61 008 454	Strainer	25.4D	1	1	1	1	1	1	KB48K250G02	<ST1>	Chg.
312	R61 004 413	Check joint L	R410A	2	2	2	2	2	2	P666013X01	<(HP)CJ1,(LP)CJ2>	
313	R61 013 418	Check valve	ZGVT1210 R410A 4.15MPA CV12	1	1	1	1	1	1	P633132X01	<CV2a>	
314	R61 072 418	Check valve	BCV-1807DYQ2 CV8	2	2	2	2	2	2	P639218X02	<CV3a,CV9a>	
315	R61 065 418	Check valve	YBV22 R410A 4.15MPA CV13	4	4	4	4	4	4	P639183X02	<CV4a,CV5a,CV7a,CV8a>	
316	R61 071 418	Check valve	YCV11-007	1	1	1	1	1	1	P639219X01	<CV6a>	
317	R63 002 425	Capillary tube assy		1	1			1	1	KB49F229G01	<CP1>	
318	R63 R55 425	Capillary tube assy				1	1			W905191G02	<CP1>	
319	R61 006 425	Capillary tube assy		1	1			1	1	KB49H698G01	<CP2>	
320	R61 008 425	Capillary tube assy				1	1			KB49H700G01	<CP2>	
321	R61 022 425	Capillary tube assy		1	1	1	1	1	1	KD49F641G01	<CP3>	
322	R63 Y05 154	Four way valve	STF-07	1	1	1	1	1	1	P633119X01	<21S4 a >	
323	R61 Y21 243	Four way valve coil	STF-01 208-230V	1	1	1	1	1	1	P472028X01	<21S4 a >	
324	R61 038 232	Valve block assy	3SV	1	1	1	1	1	1	KB00T028G03		
325	R63 6A7 235	Solenoid valve	ACS METAL D32 ACS-BPMD-8	3	3	3	3	3	3	P631310X01	<SV4a,SV4b,SV4d>	
326	R63 Y07 232	Solenoid valve	ATS-A R410A	1	1	1	1	1	1	P631291X01	<SV9>	
327	R61 076 243	Solenoid valve coil	200V 208-230V L2000	4	4	4	4	4	4	P472123X01	<SV4a,SV4b,SV4d,SV9>	Chg.
328	R63 046 232	Solenoid valve	FDF2A77 SV CV0.07	1	1	1	1	1	1	P631312X01	<SV1a>	
329	R61 029 243	Solenoid valve coil	FQD808 230V L1500	1	1	1	1	1	1	P472086X01	<SV1a>	
330	R63 027 232	Solenoid valve	VPV-L202D	1	1	1	1	1	1	P631296X01	<SV5b>	
331	R61 011 243	Solenoid valve coil	VPV UL AC208V-230V 60HZ	1	1	1	1	1	1	P472047X01	<SV5b>	
332	R61 107 401	Linear expansion valve	PAM-BB0YGM-D-2	1	1	1	1	1	1	KR50C486H01	<LEV5a>	
333	R61 030 243	Solenoid valve coil	PAM WHITE L2000	1	1	1	1	1	1	P472081X01	<LEV5a>	
334	R61 056 208	Pressure switch	ACB1UB28W	1	1	1	1	1	1	P426320X02	<63H1>	
335	R61 133 288	Pressure sensor	HP	1	1	1	1	1	1	KB00H904G20	<63HS1>	Chg.
336	R61 134 288	Pressure sensor	LP	1	1	1	1	1	1	KB00H904G21	<63LS>	Chg.
337	R61 060 200	Thermistor	CHIP TH. 15K	4	4	4	4	4	4	P418065X01	<TH3,TH5,TH6,TH7>	
338	R63 911 202	Thermistor		1	1	1	1	1	1	P425416X02	<TH4>	
339	R63 852 860	Rubber mount		4	4	4	4	4	4	W897574H01	For compressor	
340	R61 001 310	Sensor holder		1	1	1	1	1	1	KB25B471G02		
341	R63 6A7 245	SV tightening element		1	1	1	1	1	1	W909209G01		
342	R61 110 232	SV block service parts kit		1	1	1	1	1	1	KB00S879G13	*8	Chg.
343	R63 008 418	Check valve 1	(with instructions)	2	2	2	2	2	2	KB00S879G14	<CV4a,CV8a> *9	
344	R61 114 418	Check valve 2	(with instructions)	1	1	1	1	1	1	KB00S879G45	<CV6a> *9	Chg.
345	R61 075 418	Check valve 3	(with instructions)	1	1	1	1	1	1	KB00S879G41	<CV9a> *9	

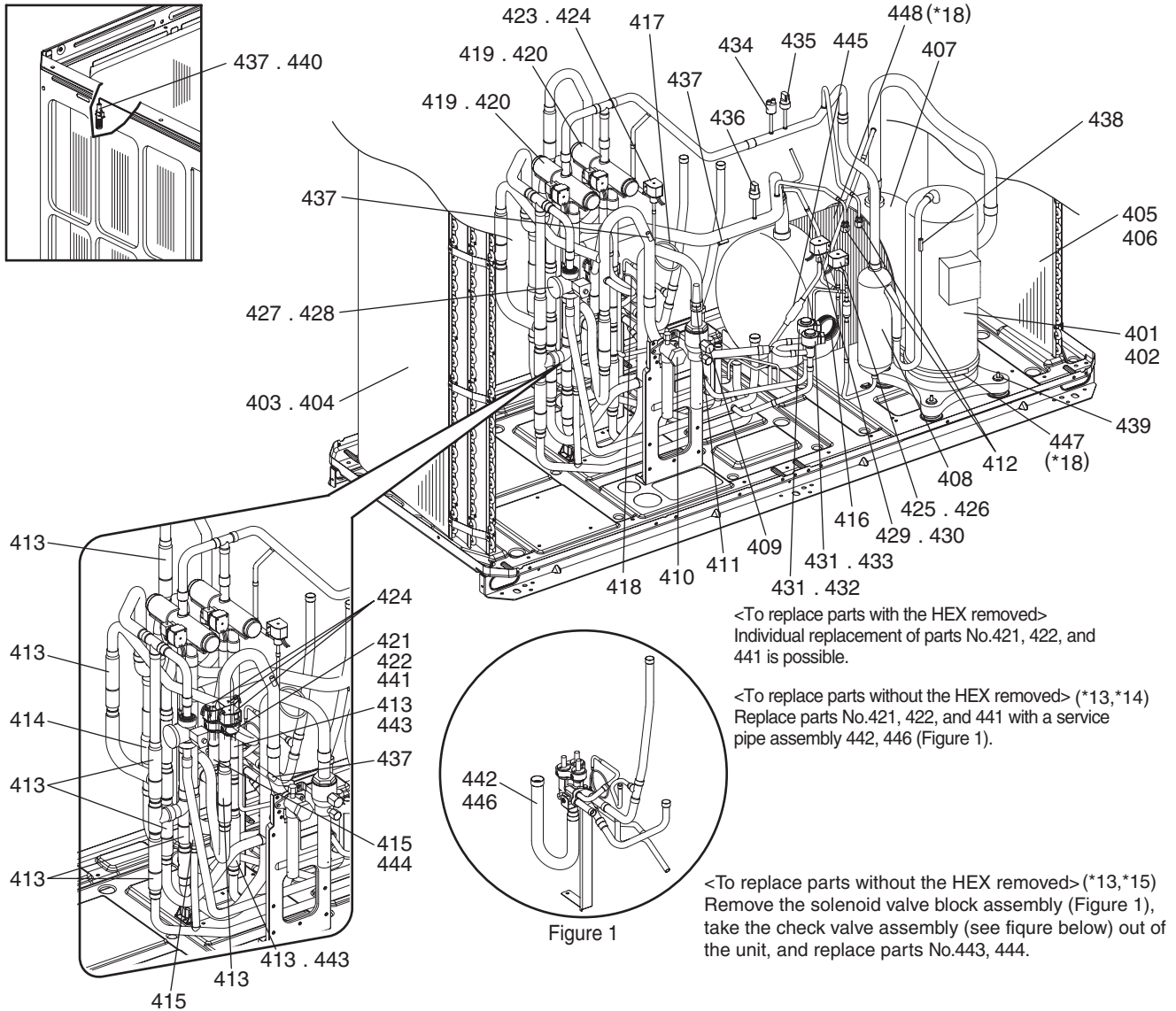
No.	Part No.	Part Name	Spec.	PURY-P72TKMU-A	PURY-P72TKMU-A-BS	PURY-P96TKMU-A	PURY-P96TKMU-A-BS	PURY-P72YKMU-A	PURY-P72YKMU-A-BS	Dwg. No.	Notes for the models	Revision info.
346	R63 155 454	Strainer	6.35D	1	1	1	1	1	1	W882822G01	<ST18> *10	
347	R61 107 288	COMP shell kit KL		1	1	1	1	1	1	KJ00K045G02	*11	
348	R61 057 262	ACC heater kit K		1	1	1	1	1	1	KJ00K046G03	*11	Chg.
349	R61 T01 368	Sensor kit	72TKMU	1	1					KJ00K047G07	*11	
350	R61 T01 369	Sensor kit	96TKMU			1	1			KJ00K047G08	*11	
351	R61 T01 371	Sensor kit	72YKMU					1	1	KJ00K047G10	*11	
352	R61 T01 372	Sensor kit	96YKMU							KJ00K047G11	*11	
353	R61 104 418	Check valve assy		1	1	1	1	1	1	KL00R326G01	*12	

No.	Part No.	Part Name	Spec.	PURY-P96YKMU-A	PURY-P96TKMU-A-BS					Dwg. No.	Notes for the models	Revision info.
301	R69 092 478	Scroll compressor	ENB62FA-U							EP10132B02	208V-230V	
302	R69 093 478	Scroll compressor	ENB62FA-YE							EP10132B03	460V	
303	R69 094 478	Scroll compressor	HNB83FA-U							EP10136B01	208V-230V	
304	R69 208 478	Scroll compressor	HNB83FA2-YE	1	1					EP10136B15	460V	Chg.
305	R61 640 480	Heat exchanger	3L	1						KD01R776G11		
306	R61 641 480	Heat exchanger	3L BS		1					KD01R776G12		
307	R61 090 484	Accumulator assy		1	1					KB54B479G53		
308	R61 034 487	Oil separator assy		1	1					KD00R699G01		
309	R61 002 540	Valve	VSAMH8SSCM-A	1	1					P636343X01	<(LP)BV1>	
310	R61 025 538	Valve	VSAMH8SSCM-LA1 D25.4	1	1					P636353X01	<(HP)BV2>	Chg.
311	R61 008 454	Strainer	25.4D	1	1					KB48K250G02	<ST1>	Chg.
312	R61 004 413	Check joint L	R410A	2	2					P666013X01	<(HP)CJ1,(LP)CJ2>	
313	R61 013 418	Check valve	ZGVT1210 R410A 4.15MPA CV12	1	1					P633132X01	<CV2a>	
314	R61 072 418	Check valve	BCV-1807DYQ2 CV8	2	2					P639218X02	<CV3a,CV9a>	
315	R61 065 418	Check valve	YBV22 R410A 4.15MPA CV13	4	4					P639183X02	<CV4a,CV5a,CV7a,CV8a>	
316	R61 071 418	Check valve	YCV11-007	1	1					P639219X01	<CV6a>	
317	R63 002 425	Capillary tube assy								KB49F229G01	<CP1>	
318	R63 R55 425	Capillary tube assy		1	1					W905191G02	<CP1>	
319	R61 006 425	Capillary tube assy								KB49H698G01	<CP2>	
320	R61 008 425	Capillary tube assy		1	1					KB49H700G01	<CP2>	
321	R61 022 425	Capillary tube assy		1	1					KD49F641G01	<CP3>	
322	R63 Y05 154	Four way valve	STF-07	1	1					P633119X01	<21S4 a >	
323	R61 Y21 243	Four way valve coil	STF-01 208-230V	1	1					P472028X01	<21S4 a >	
324	R61 038 232	Valve block assy	3SV	1	1					KB00T028G03		
325	R63 6A7 235	Solenoid valve	ACS METAL D32 ACS-BPMD-8	3	3					P631310X01	<SV4a,SV4b,SV4d>	
326	R63 Y07 232	Solenoid valve	ATS-A R410A	1	1					P631291X01	<SV9>	
327	R61 076 243	Solenoid valve coil	200V 208-230V L2000	4	4					P472123X01	<SV4a,SV4b,SV4d,SV9>	Chg.
328	R63 046 232	Solenoid valve	FDF2A77 SV CV0.07	1	1					P631312X01	<SV1a>	
329	R61 029 243	Solenoid valve coil	FQD808 230V L1500	1	1					P472086X01	<SV1a>	
330	R63 027 232	Solenoid valve	VPV-L202D	1	1					P631296X01	<SV5b>	
331	R61 011 243	Solenoid valve coil	VPV UL AC208V-230V 60HZ	1	1					P472047X01	<SV5b>	
332	R61 107 401	Linear expansion valve	PAM-BB0YGM-D-2	1	1					KR50C486H01	<LEV5a>	
333	R61 030 243	Solenoid valve coil	PAM WHITE L2000	1	1					P472081X01	<LEV5a>	
334	R61 056 208	Pressure switch	ACB1UB28W	1	1					P426320X02	<63H1>	
335	R61 133 288	Pressure sensor	HP	1	1					KB00H904G20	<63HS1>	Chg.
336	R61 134 288	Pressure sensor	LP	1	1					KB00H904G21	<63LS>	Chg.
337	R61 060 200	Thermistor	CHIP TH. 15K	4	4					P418065X01	<TH3,TH5,TH6,TH7>	
338	R63 911 202	Thermistor		1	1					P425416X02	<TH4>	
339	R63 852 860	Rubber mount		4	4					W897574H01	For compressor	
340	R61 001 310	Sensor holder		1	1					KB25B471G02		
341	R63 6A7 245	SV tightening element		1	1					W909209G01		
342	R61 110 232	SV block service parts kit		1	1					KB00S879G13	*8	Chg.
343	R63 008 418	Check valve 1	(with instructions)	2	2					KB00S879G14	<CV4a,CV8a> *9	
344	R61 114 418	Check valve 2	(with instructions)	1	1					KB00S879G45	<CV6a> *9	Chg.
345	R61 075 418	Check valve 3	(with instructions)	1	1					KB00S879G41	<CV9a> *9	

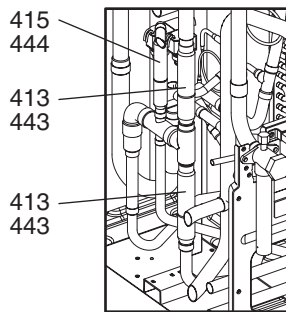
No.	Part No.	Part Name	Spec.	PURY-P96YKMU-A	PURY-P96TKMU-A-BS					Dwg. No.	Notes for the models	Revision info.
346	R63 155 454	Strainer	6.35D	1	1					W882822G01	<ST18> *10	
347	R61 107 288	COMP shell kit KL		1	1					KJ00K045G02	*11	
348	R61 057 262	ACC heater kit K		1	1					KJ00K046G03	*11	Chg.
349	R61 T01 368	Sensor kit	72TKMU							KJ00K047G07	*11	
350	R61 T01 369	Sensor kit	96TKMU							KJ00K047G08	*11	
351	R61 T01 371	Sensor kit	72YKMU							KJ00K047G10	*11	
352	R61 T01 372	Sensor kit	96YKMU	1	1					KJ00K047G11	*11	
353	R61 104 418	Check valve assy		1	1					KL00R326G01	*12	

**PURY-P120,P144TKMU-A(-BS)
PURY-P120,P144YKMU-A(-BS)**

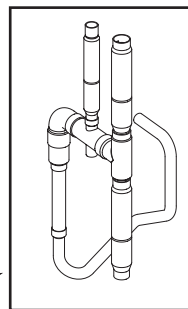
FUNCTIONAL PARTS (2)



<To replace parts with the HEX removed>
Individual replacement of parts No.413 and 415 is possible.



When the part alone is replaced (413,415)



When the part is replaced as an assembly (413,415)

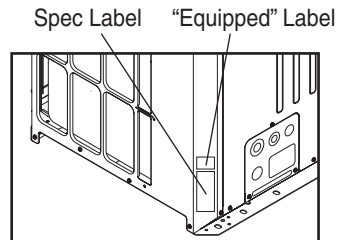
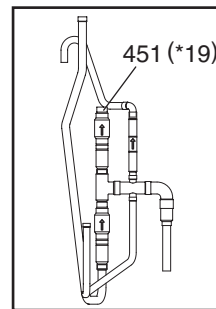


Figure 2

*13 Refer to the replacement instructions provided with parts No.442, 443, 444, and 446 for details.

*14 A solenoid valve block assy and a sheet of replacement instructions are included with Solenoid valve block service parts kit (No.442). This kit is used for units manufactured before May 2013.

*15 A check valve and a sheet of replacement instructions are included with Service parts with instructions (No.443, 444).

*16 Use a strainer (No.445) for units manufactured after Aug. 2013.

*17 A solenoid valve block assy and a sheet of replacement instructions are included with Solenoid valve block service parts kit (No.446). This kit is used for units manufactured after June 2013.

*18 If "Equipped" label as shown in Figure 2 is attached on the unit, order the Compressor shell kit part No.447 and Accumulator heater kit part No.448. If it is not attached, order the Sensor kit part No.449 or 450.

*19 For how to attach part No.451, refer to the replacement instruction in the service handbook.

Actual external appearance of some service parts may differ from the figure.

PURY-P120,P144TKMU-A(-BS)
PURY-P120,P144YKMU-A(-BS)

FUNCTIONAL PARTS (2)

No.	Part No.	Part Name	Spec.	PURY-P120TKMU-A	PURY-P120TKMU-A-BS	PURY-P144TKMU-A	PURY-P144TKMU-A-BS	PURY-P120YKMU-A	PURY-P120YKMU-A-BS	Dwg. No.	Notes for the models	Revision info.
401	R69 094 478	Scroll compressor	HNB83FA-U	1	1	1	1			EP10136B01	208V-230V	
402	R69 208 478	Scroll compressor	HNB83FA2-YE					1	1	EP10136B15	460V	Chg.
403	R61 642 480	Heat exchanger L	3L	1		1		1		KD01R771G01		
404	R61 643 480	Heat exchanger L	3L BS		1		1		1	KD01R771G02		
405	R63 644 480	Heat exchanger R	3L	1		1		1		KD01R885G01		
406	R61 K58 480	Heat exchanger R	3L BS		1		1		1	KD01R885G02		Chg.
407	R61 088 484	Accumulator assy		1	1	1	1	1	1	KB54B479G39		
408	R61 033 487	Oil separator assy		1	1	1	1	1	1	KD00R636G02		
409	R61 009 410	Ball valve	JA10YGME 4.15MPA D25	1	1	1	1	1	1	P636358X01	<(LP)BV1>	
410	R61 025 538	Valve	VSAMH8SSCM-LA1 D25.4	1	1	1	1	1	1	P636353X01	<(HP)BV2>	Chg.
411	R61 008 454	Strainer	25.4D	1	1	1	1	1	1	KB48K250G02	<ST1>	Chg.
412	R61 004 413	Check joint L	R410A	2	2	2	2	2	2	P666013X01	<(HP)CJ1,(LP)CJ2>	
413	R61 072 418	Check valve	BCV-1807DYQ2 CV8	9	9	9	9	9	9	P639218X02	<CV2a, CV2b, CV4a, CV4b, CV5a, CV5b, CV7a, CV7b, CV8a, CV8b>	
414	R61 065 418	Check valve	YBV22 R410A 4.15MPA CV13	1	1	1	1	1	1	P639183X02	<CV3a>	
415	R61 071 418	Check valve	YCV11-007	2	2	2	2	2	2	P639219X01	<CV6a, CV6b>	
416	R63 R55 425	Capillary tube assy		1	1	1	1	1	1	W905191G02	<CP1>	
417	R61 008 425	Capillary tube assy		1	1	1	1	1	1	KB49H700G01	<CP2>	
418	R61 022 425	Capillary tube assy		1	1	1	1	1	1	KD49F641G01	<CP3>	
419	R63 Y05 154	Four way valve	STF-07	2	2	2	2	2	2	P633119X01	<21S4 a ,21S4b>	
420	R61 Y21 243	Four way valve coil	STF-01 208-230V	2	2	2	2	2	2	P472028X01	<21S4 a ,21S4b>	
421	R61 038 232	Valve block assy	3SV	1	1	1	1	1	1	KB00T028G03		
422	R63 6A7 235	Solenoid valve	ACS METAL D32 ACS-BPMD-8	3	3	3	3	3	3	P631310X01	<SV4a,SV4b,SV4d>	
423	R63 Y07 232	Solenoid valve	ATS-A R410A	1	1	1	1	1	1	P631291X01	<SV9>	
424	R61 076 243	Solenoid valve coil	200V 208-230V L2000	4	4	4	4	4	4	P472123X01	<SV4a,SV4b,SV4d,SV9>	Chg.
425	R63 046 232	Solenoid valve	FD2A77 SV CV0.07	1	1	1	1	1	1	P631312X01	<SV1a>	
426	R61 029 243	Solenoid valve coil	FQD808 230V L1500	1	1	1	1	1	1	P472086X01	<SV1a>	
427	R63 P89 232	Solenoid valve	SR6PF-06WR	1	1	1	1	1	1	P631278X01	<SV4c>	
428	R61 005 243	Solenoid valve coil	SR6PF AC208-230V 60HZ	1	1	1	1	1	1	P472044X02	<SV4c>	
429	R63 027 232	Solenoid valve	VPV-L202D	1	1	1	1	1	1	P631296X01	<SV5b>	
430	R61 011 243	Solenoid valve coil	VPV UL AC208V-230V 60HZ	1	1	1	1	1	1	P472047X01	<SV5b>	
431	R61 107 401	Linear expansion valve	PAM-BB0YGMD-2	2	2	2	2	2	2	KR50C486H01	<LEV5a,LEV5b>	
432	R61 030 243	Solenoid valve coil	PAM WHITE L2000	1	1	1	1	1	1	P472081X01	<LEV5a>	
433	R61 022 243	Solenoid valve coil	PAM DC12V 6POLE	1	1	1	1	1	1	P472061X02	<LEV5b>	
434	R61 056 208	Pressure switch	ACB1UB28W	1	1	1	1	1	1	P426320X02	<63H1>	
435	R61 135 288	Pressure sensor	0-4.15MPA NSK-BD042D	1	1	1	1	1	1	KB00H904G22	<63HS1>	Chg.
436	R61 136 288	Pressure sensor	0-1.7MPA NSK-BD017D	1	1	1	1	1	1	KB00H904G23	<63LS>	Chg.
437	R61 060 200	Thermistor	CHIP TH. 15K	4	4	4	4	4	4	P418065X01	<TH3,TH5,TH6,TH7>	
438	R63 911 202	Thermistor		1	1	1	1	1	1	P425416X02	<TH4>	
439	R63 852 860	Rubber mount		4	4	4	4	4	4	W897574H01	For compressor	
440	R61 001 310	Sensor holder		1	1	1	1	1	1	KB25B471G02		
441	R63 6A7 245	SV tightening element		1	1	1	1	1	1	W909209G01		
442	R61 047 232	SV block service parts kit		1	1	1	1	1	1	KB00S879G17	*14	
443	R61 076 418	Check valve 1	(with instructions)	2	2	2	2	2	2	KB00S879G42	<CV4a, CV8a> *15	
444	R61 115 418	Check valve 2	(with instructions)	1	1	1	1	1	1	KB00S879G46	<CV6a> *15	
445	R63 A42 454	Strainer	9.52	1	1	1	1	1	1	W882823G01	<ST18> *16	

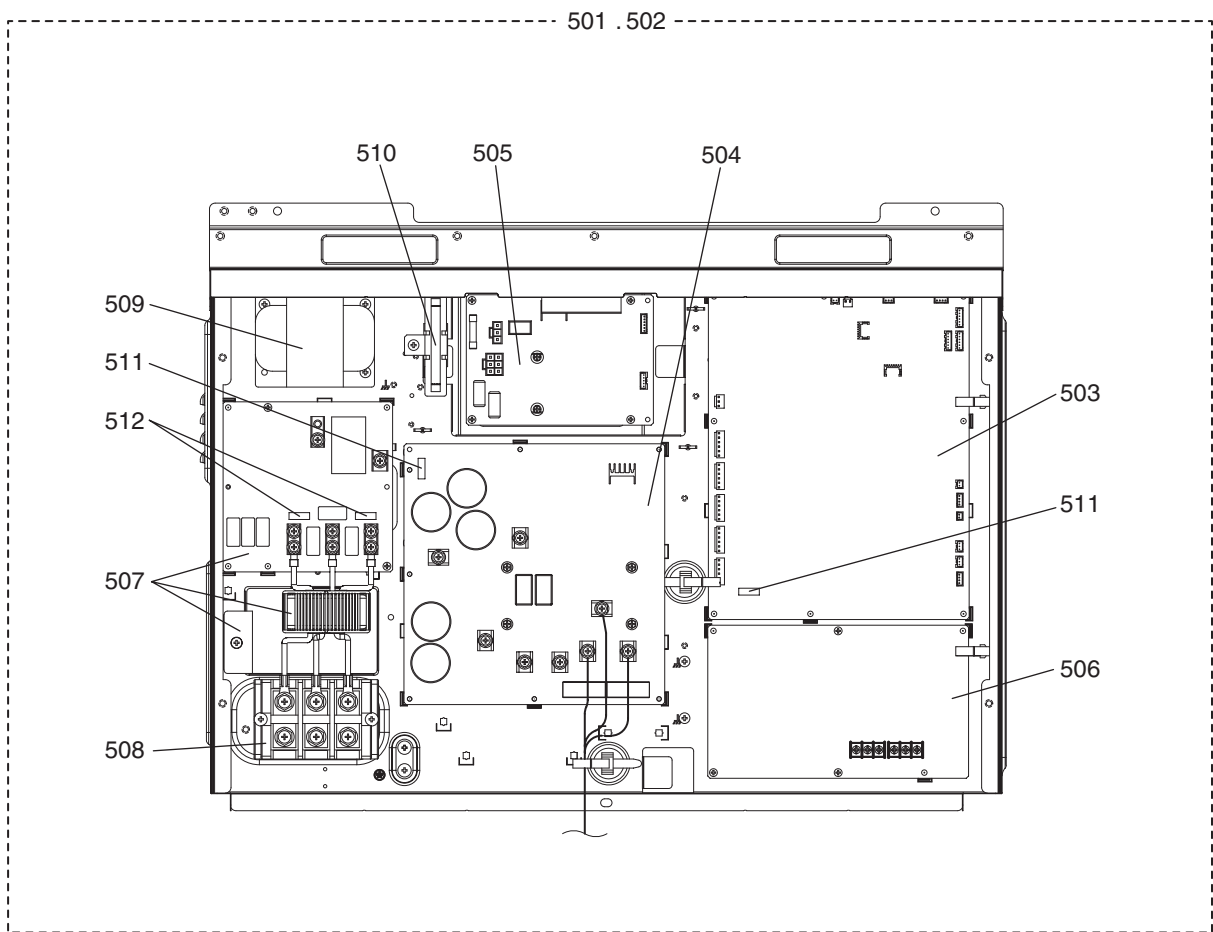
No.	Part No.	Part Name	Spec.							Dwg. No.	Notes for the models	Revision info.
				PURY-P120TKMU-A	PURY-P120TKMU-A-BS	PURY-P144TKMU-A	PURY-P144TKMU-A-BS	PURY-P120YKMU-A	PURY-P120YKMU-A-BS			
446	R61 112 232	SV block service parts kit		1	1	1	1	1	1	KD00M070G06	*17	Chg.
447	R61 107 288	COMP shell kit KL		1	1	1	1	1	1	KJ00K045G02	*18	
448	R61 057 262	ACC heater kit K		1	1	1	1	1	1	KJ00K046G03	*18	Chg.
449	R61 T01 370	Sensor kit	120TKMU	1	1	1	1			KJ00K047G09	*18	
450	R61 T01 373	Sensor kit	120YKMU					1	1	KJ00K047G12	*18	
451	R61 105 418	Check valve assy		1	1	1	1	1	1	KL00R327G01	*19	

PURY-P120,P144TKMU-A(-BS)
PURY-P120,P144YKMU-A(-BS)

FUNCTIONAL PARTS (2)

No.	Part No.	Part Name	Spec.	PURY-P144TKMU-A	PURY-P144YKMU-A(-BS)					Dwg. No.	Notes for the models	Revision info.
401	R69 094 478	Scroll compressor	HNB83FA-U							EP10136B01	208V-230V	
402	R69 208 478	Scroll compressor	HNB83FA2-YE	1	1					EP10136B15	460V	Chg.
403	R61 642 480	Heat exchanger L	3L	1						KD01R771G01		
404	R61 643 480	Heat exchanger L	3L BS		1					KD01R771G02		
405	R63 644 480	Heat exchanger R	3L	1						KD01R885G01		
406	R61 K58 480	Heat exchanger R	3L BS		1					KD01R885G02		Chg.
407	R61 088 484	Accumulator assy		1	1					KB54B479G39		
408	R61 033 487	Oil separator assy		1	1					KD00R636G02		
409	R61 009 410	Ball valve	JA10YGME 4.15MPA D25	1	1					P636358X01	<(LP)BV1>	
410	R61 025 538	Valve	VSAMH8SSCM-LA1 D25.4	1	1					P636353X01	<(HP)BV2>	Chg.
411	R61 008 454	Strainer	25.4D	1	1					KB48K250G02	<ST1>	Chg.
412	R61 004 413	Check joint L	R410A	2	2					P666013X01	<(HP)CJ1,(LP)CJ2>	
413	R61 072 418	Check valve	BCV-1807DYQ2 CV8	9	9					P639218X02	<CV2a, CV2b, CV4a, CV4b, CV5a, CV5b, CV7a, CV7b, CV8a, CV8b>	
414	R61 065 418	Check valve	YBV22 R410A 4.15MPA CV13	1	1					P639183X02	<CV3a>	
415	R61 071 418	Check valve	YCV11-007	2	2					P639219X01	<CV6a, CV6b>	
416	R63 R55 425	Capillary tube assy		1	1					W905191G02	<CP1>	
417	R61 008 425	Capillary tube assy		1	1					KB49H700G01	<CP2>	
418	R61 022 425	Capillary tube assy		1	1					KD49F641G01	<CP3>	
419	R63 Y05 154	Four way valve	STF-07	2	2					P633119X01	<21S4 a ,21S4b>	
420	R61 Y21 243	Four way valve coil	STF-01 208-230V	2	2					P472028X01	<21S4 a ,21S4b>	
421	R61 038 232	Valve block assy	3SV	1	1					KB00T028G03		
422	R63 6A7 235	Solenoid valve	ACS METAL D32 ACS-BPMD-8	3	3					P631310X01	<SV4a,SV4b,SV4d>	
423	R63 Y07 232	Solenoid valve	ATS-A R410A	1	1					P631291X01	<SV9>	
424	R61 076 243	Solenoid valve coil	200V 208-230V L2000	4	4					P472123X01	<SV4a,SV4b,SV4d,SV9>	Chg.
425	R63 046 232	Solenoid valve	FD2A77 SV CV0.07	1	1					P631312X01	<SV1a>	
426	R61 029 243	Solenoid valve coil	FQD808 230V L1500	1	1					P472086X01	<SV1a>	
427	R63 P89 232	Solenoid valve	SR6PF-06WR	1	1					P631278X01	<SV4c>	
428	R61 005 243	Solenoid valve coil	SR6PF AC208-230V 60HZ	1	1					P472044X02	<SV4c>	
429	R63 027 232	Solenoid valve	VPV-L202D	1	1					P631296X01	<SV5b>	
430	R61 011 243	Solenoid valve coil	VPV UL AC208V-230V 60HZ	1	1					P472047X01	<SV5b>	
431	R61 107 401	Linear expansion valve	PAM-BB0YGMD-2	2	2					KR50C486H01	<LEV5a,LEV5b>	
432	R61 030 243	Solenoid valve coil	PAM WHITE L2000	1	1					P472081X01	<LEV5a>	
433	R61 022 243	Solenoid valve coil	PAM DC12V 6POLE	1	1					P472061X02	<LEV5b>	
434	R61 056 208	Pressure switch	ACB1UB28W	1	1					P426320X02	<63H1>	
435	R61 135 288	Pressure sensor	0-4.15MPA NSK-BD042D	1	1					KB00H904G22	<63HS1>	Chg.
436	R61 136 288	Pressure sensor	0-1.7MPA NSK-BD017D	1	1					KB00H904G23	<63LS>	Chg.
437	R61 060 200	Thermistor	CHIP TH. 15K	4	4					P418065X01	<TH3,TH5,TH6,TH7>	
438	R63 911 202	Thermistor		1	1					P425416X02	<TH4>	
439	R63 852 860	Rubber mount		4	4					W897574H01	For compressor	
440	R61 001 310	Sensor holder		1	1					KB25B471G02		
441	R63 6A7 245	SV tightening element		1	1					W909209G01		
442	R61 047 232	SV block service parts kit		1	1					KB00S879G17	*14	
443	R61 076 418	Check valve 1	(with instructions)	2	2					KB00S879G42	<CV4a, CV8a> *15	
444	R61 115 418	Check valve 2	(with instructions)	1	1					KB00S879G46	<CV6a> *15	
445	R63 A42 454	Strainer	9.52	1	1					W882823G01	<ST18> *16	

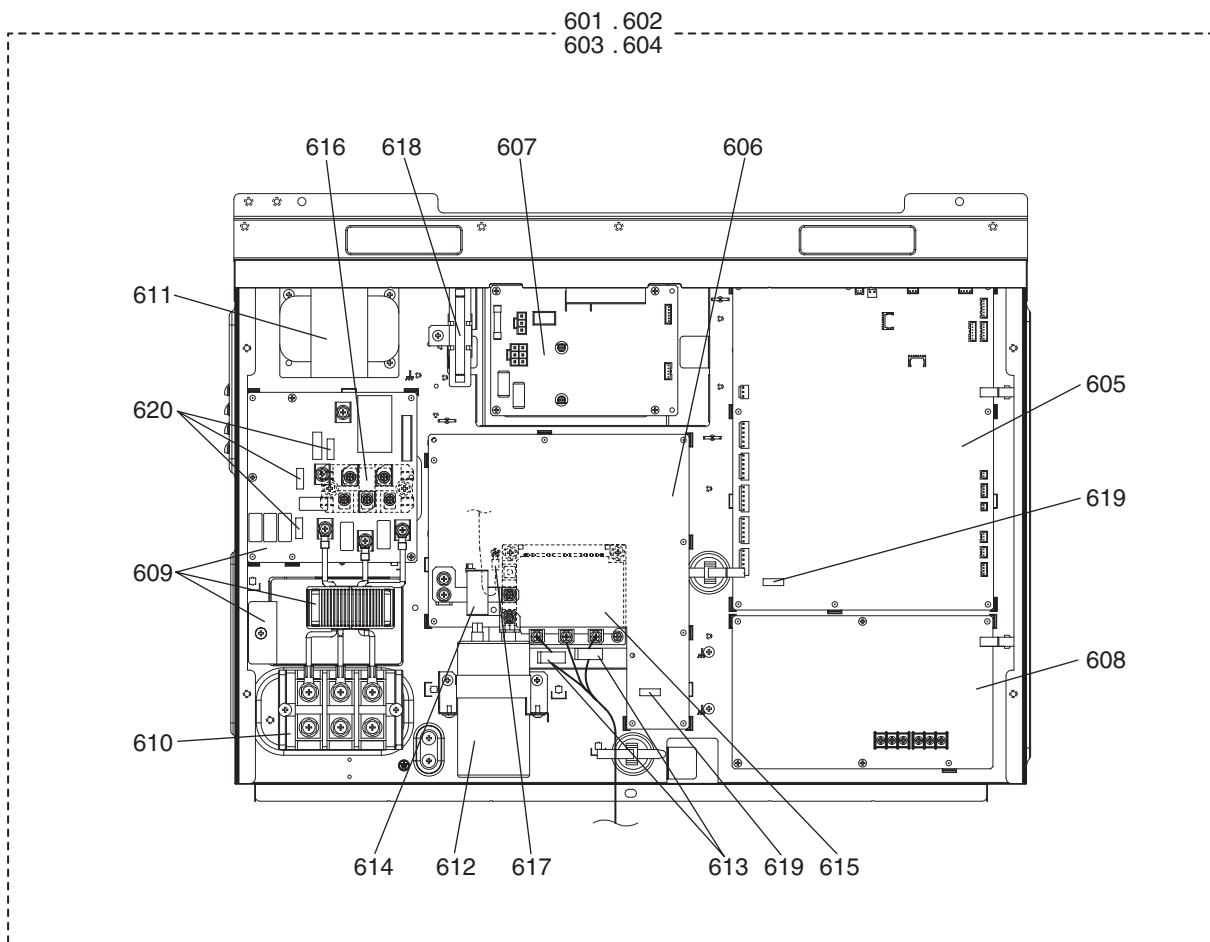
No.	Part No.	Part Name	Spec.	PURY-P144TKMU-A	PURY-P144YKMU-A(-BS)						Dwg. No.	Notes for the models	Revision info.
446	R61 112 232	SV block service parts kit		1	1						KD00M070G06	*17	Chg.
447	R61 107 288	COMP shell kit KL		1	1						KJ00K045G02	*18	
448	R61 057 262	ACC heater kit K		1	1						KJ00K046G03	*18	Chg.
449	R61 T01 370	Sensor kit	120TKMU								KJ00K047G09	*18	
450	R61 T01 373	Sensor kit	120YKMU	1	1						KJ00K047G12	*18	
451	R61 105 418	Check valve assy		1	1						KL00R327G01	*19	



No.	Part No.	Part Name	Spec.	PURY-P72TKMU-A		PURY-P72TKMU-A-BS		Dwg. No.	Notes for the models	Revision info.
501	R61 948 305	Control box	R-P72TK	1				KE80G668G01		
502	R61 949 305	Control box	R-P72TK BS		1			KE80G668G02		
503	R61 199 280	Control board		1	1			KE80C704G03	<MAIN07>	
504	R61 185 280	INV board		1	1			KE80C520G03	<INV24>	
505	R61 186 280	Fan board		1	1			W652171G13	<INV/S10>	
506	R63 187 280	M-NET board		1	1			KE80C055G06	<PS-MNET-Y>	
507	R61 019 293	Noise filter	board,coil,plate	1	1			KE80C726G02		
508	R61 026 246	Terminal block		1	1			S436007H02	<TB1>	
509	R61 029 259	Reactor		1	1			P715482X01	<DCL>	
510	R63 670 234	Resistor		1	1			P411113X01	<R1>	
511	R61 005 239	Fuse	3.15A AC250V T	2	2			S423001H39		
512	R61 006 239	Fuse	6.3A AC250V T	2	2			S423001H42		

PURY-P96TKMU-A(-BS)
PURY-P120TKMU-A(-BS)
PURY-P144TKMU-A(-BS)

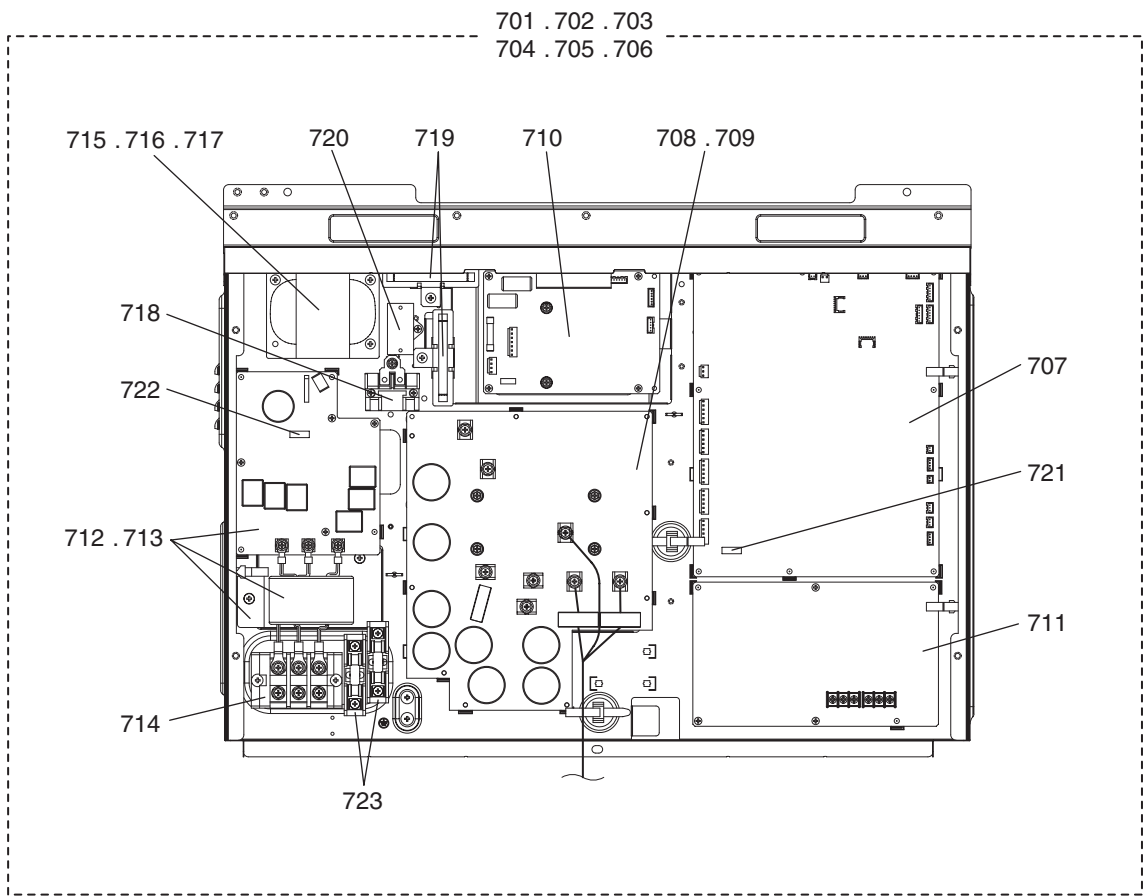
CONTROL BOX PARTS (2)

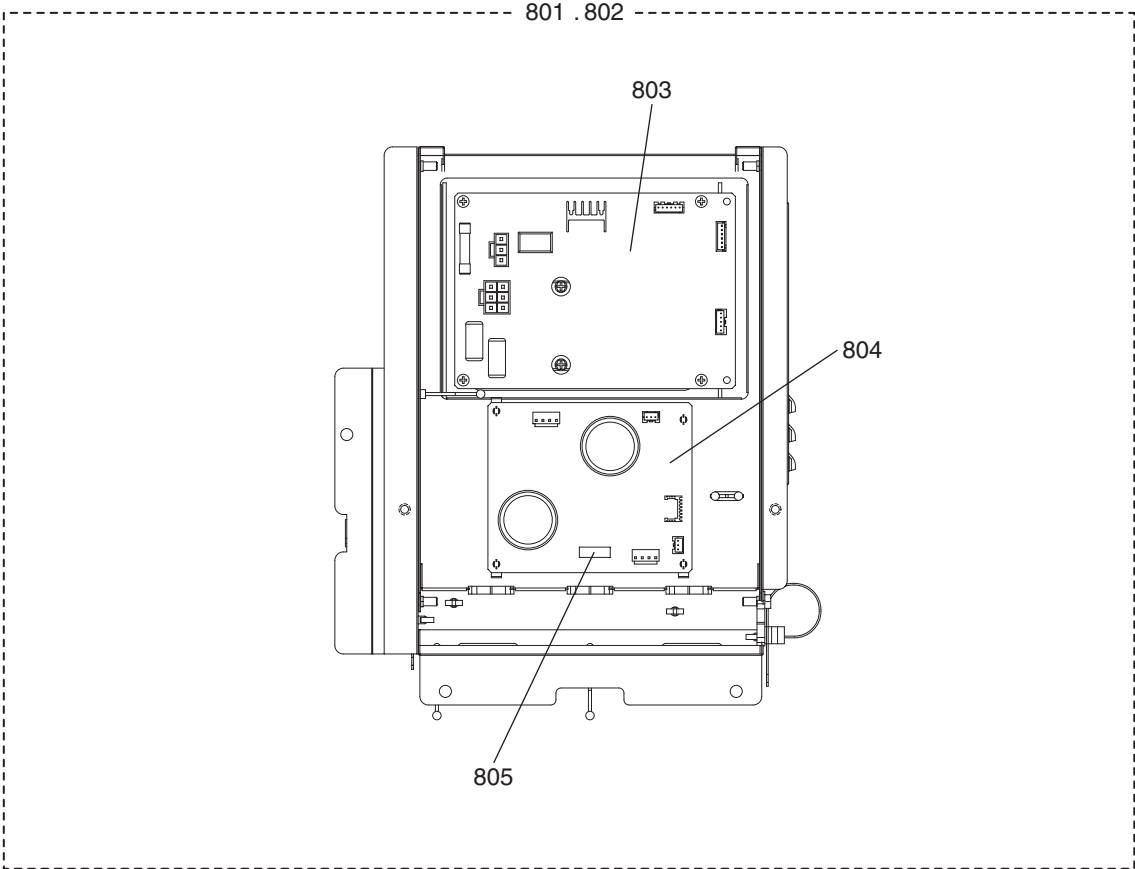


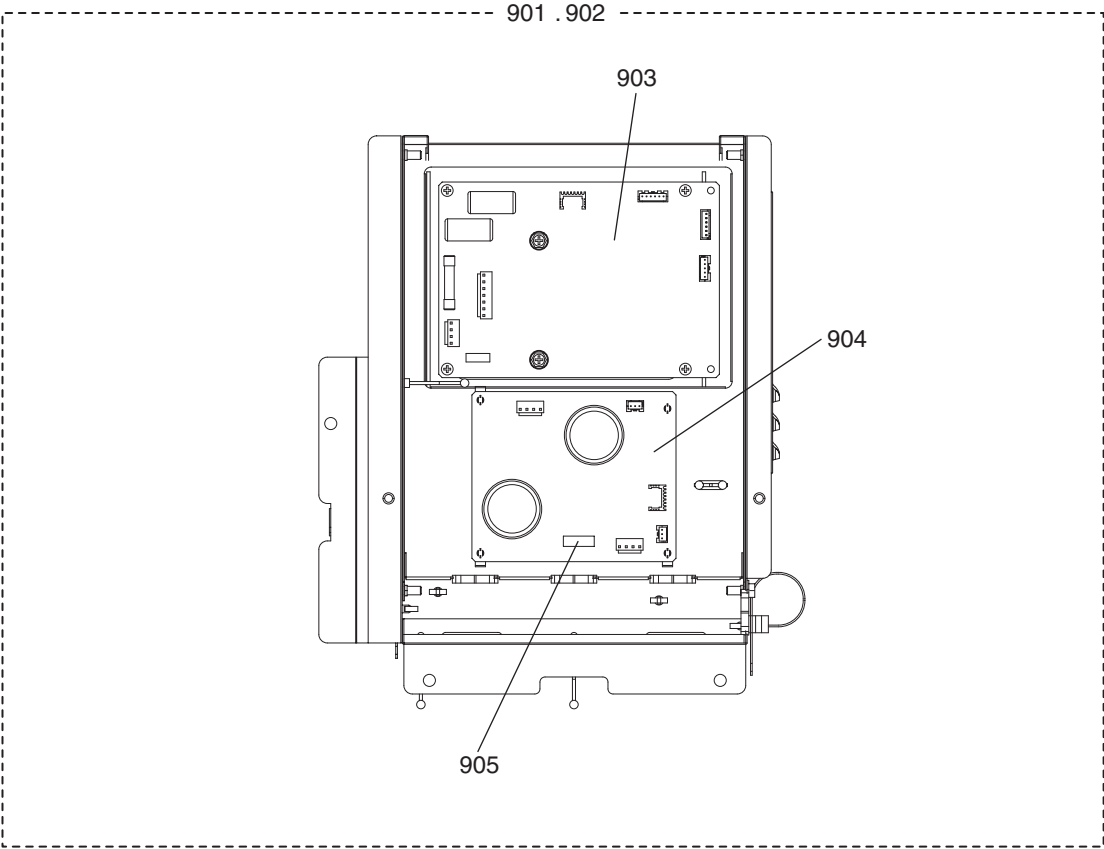
PURY-P96TKMU-A(-BS)
PURY-P120TKMU-A(-BS)
PURY-P144TKMU-A(-BS)

CONTROL BOX PARTS (2)

No.	Part No.	Part Name	Spec.	PURY-P96TKMU-A	PURY-P96TKMU-A-BS	PURY-P120TKMU-A	PURY-P120TKMU-A-BS	PURY-P144TKMU-A	PURY-P144TKMU-A-BS	Dwg. No.	Notes for the models	Revision info.
601	R61 950 305	Control box	R-P96TK	1						KE80G668G03		
602	R61 951 305	Control box	R-P96TK BS		1					KE80G668G04		
603	R61 952 305	Control box	R-P144TK			1		1		KE80G668G05		
604	R61 953 305	Control box	R-P144TK BS				1		1	KE80G668G06		
605	R61 199 280	Control board		1	1	1	1	1	1	KE80C704G03	<MAIN07>	
606	R61 188 280	INV board		1	1	1	1	1	1	W647875G20	<INV25>	
607	R61 186 280	Fan board		1	1	1	1	1	1	W652171G13	<INV/S10>	
608	R63 187 280	M-NET board		1	1	1	1	1	1	KE80C055G06	<PS-MNET-Y>	
609	R61 020 293	Noise filter	board,coil,plate	1	1	1	1	1	1	KE80C726G03		
610	R61 026 246	Terminal block		1	1	1	1	1	1	S436007H02	<TB1>	
611	R61 046 259	Reactor		1	1	1	1	1	1	KR65C279H01	<DCL>	
612	R61 005 252	Capacitor		1	1	1	1	1	1	KE80H088G03	<C1>	
613	R61 015 287	AC Current sensor		1	1	1	1	1	1	P418087X01	<ACCT1,2>	
614	R63 A42 289	DC Current sensor		1	1	1	1	1	1	P419079X03	<DCCT1>	
615	R61 G35 249	IPM (Inteligent Power Module)		1	1	1	1	1	1	W848413G21	<IPM>	
616	R61 003 320	Diode stack		1	1	1	1	1	1	W876941G09	<DS>	
617	R61 008 200	Thermistor		1	1	1	1	1	1	P414127X01	<THHS>	
618	R63 670 234	Resistor		1	1	1	1	1	1	P411113X01	<R1>	
619	R61 005 239	Fuse	3.15A AC250V T	2	2	2	2	2	2	S423001H39		
620	R61 006 239	Fuse	6.3A AC250V T	3	3	3	3	3	3	S423001H42		







mitsubishi
electric
corporation

BWE1207E (20200930)