

# SERVICE PARTS LIST FOR MITSUBISHI ELECTRIC PACKAGED AIR-CONDITIONERS

Series : PURY-P·T(S)LMU-A(-BS)  
PURY-P·Y(S)LMU-A(-BS)

For use with the R410A

Mar. 2015  
BWE015050

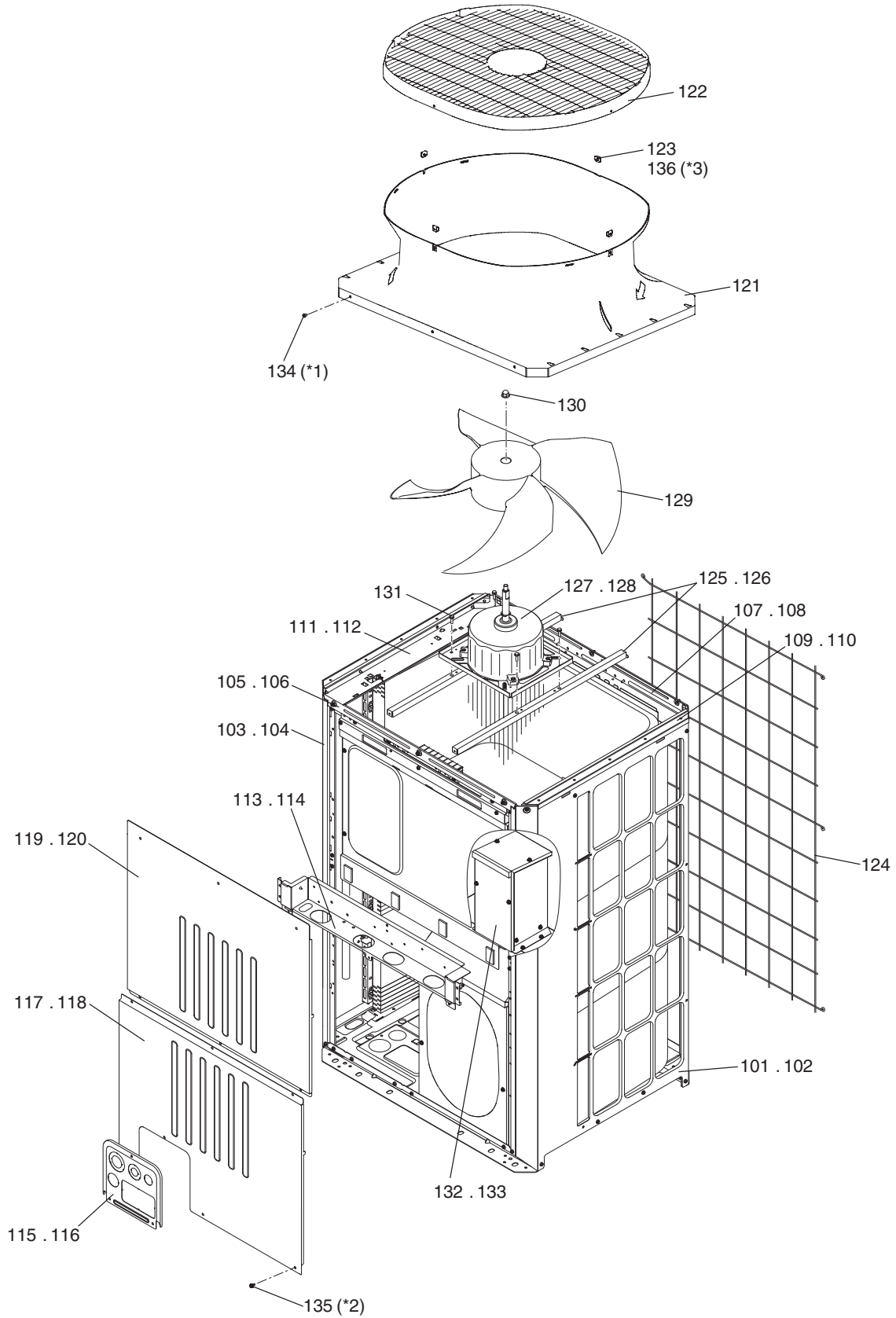
## INDEX

PURY-P72TLMU-A(-BS)  
PURY-P96TLMU-A(-BS)  
PURY-P120TLMU-A(-BS)  
PURY-P144TLMU-A(-BS)  
PURY-P168TLMU-A(-BS)  
PURY-P72YLMU-A(-BS)  
PURY-P96YLMU-A(-BS)  
PURY-P120YLMU-A(-BS)  
PURY-P144YLMU-A(-BS)  
PURY-P168YLMU-A(-BS)

Refer to the next page for the package names.

## The Package name list

<b>PURY-P144TSLMU-A(-BS)</b>	[PURY-P72TLMU-A(-BS) + PURY-P72TLMU-A(-BS)]
<b>PURY-P168TSLMU-A(-BS)</b>	[PURY-P72TLMU-A(-BS) + PURY-P96TLMU-A(-BS)]
<b>PURY-P192TSLMU-A(-BS)</b>	[PURY-P96TLMU-A(-BS) + PURY-P96TLMU-A(-BS)]
<b>PURY-P216TSLMU-A(-BS)</b>	[PURY-P96TLMU-A(-BS) + PURY-P120TLMU-A(-BS)]
<b>PURY-P240TSLMU-A(-BS)</b>	[PURY-P120TLMU-A(-BS) + PURY-P120TLMU-A(-BS)]
<b>PURY-P264TSLMU-A(-BS)</b>	[PURY-P120TLMU-A(-BS) + PURY-P144TLMU-A(-BS)]
<b>PURY-P288TSLMU-A(-BS)</b>	[PURY-P144TLMU-A(-BS) + PURY-P144TLMU-A(-BS)]
<b>PURY-P312TSLMU-A(-BS)</b>	[PURY-P144TLMU-A(-BS) + PURY-P168TLMU-A(-BS)]
<b>PURY-P336TSLMU-A(-BS)</b>	[PURY-P168TLMU-A(-BS) + PURY-P168TLMU-A(-BS)]
<b>PURY-P144YSLMU-A(-BS)</b>	[PURY-P72YLMU-A(-BS) + PURY-P72YLMU-A(-BS)]
<b>PURY-P168YSLMU-A(-BS)</b>	[PURY-P72YLMU-A(-BS) + PURY-P96YLMU-A(-BS)]
<b>PURY-P192YSLMU-A(-BS)</b>	[PURY-P96YLMU-A(-BS) + PURY-P96YLMU-A(-BS)]
<b>PURY-P216YSLMU-A(-BS)</b>	[PURY-P96YLMU-A(-BS) + PURY-P120YLMU-A(-BS)]
<b>PURY-P240YSLMU-A(-BS)</b>	[PURY-P120YLMU-A(-BS) + PURY-P120YLMU-A(-BS)]
<b>PURY-P264YSLMU-A(-BS)</b>	[PURY-P120YLMU-A(-BS) + PURY-P144YLMU-A(-BS)]
<b>PURY-P288YSLMU-A(-BS)</b>	[PURY-P144YLMU-A(-BS) + PURY-P144YLMU-A(-BS)]
<b>PURY-P312YSLMU-A(-BS)</b>	[PURY-P144YLMU-A(-BS) + PURY-P168YLMU-A(-BS)]
<b>PURY-P336YSLMU-A(-BS)</b>	[PURY-P168YLMU-A(-BS) + PURY-P168YLMU-A(-BS)]

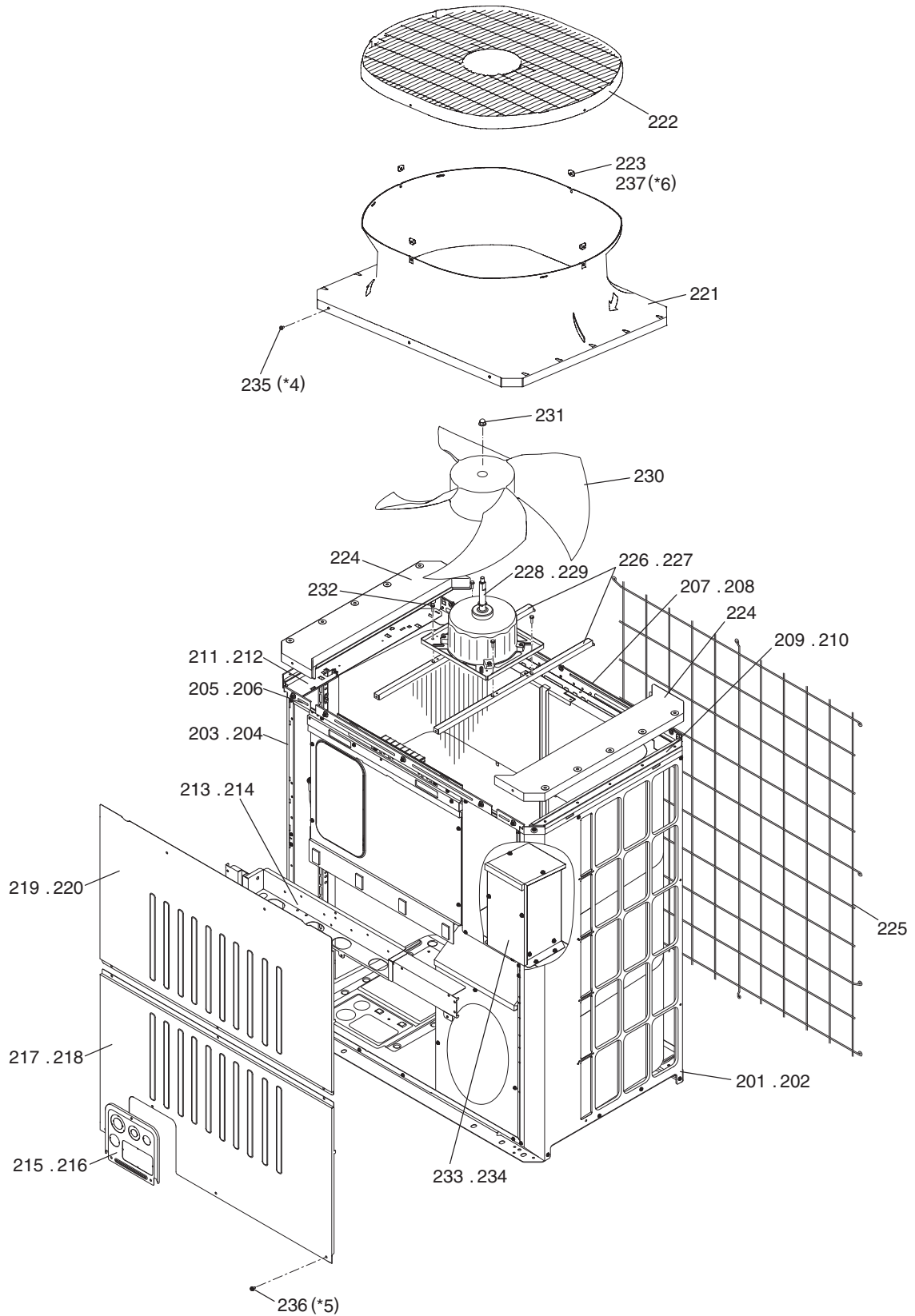


\*1 22 WFT Screws (part No.134)

\*2 PURY-P72TLMU-A(-BS)...82 H Screws (part No.135), PURY-P72YLMU-A(-BS)...87 H Screws (part No.135)

\*3 4 WFT Screws (part No.136)

No.	Part No.	G : RoHS Apply Only W : RoHS Apply by Running Change		Spec.	PURY-P72TLMU-A	PURY-P72TLMU-A-BS	PURY-P72YLMU-A	PURY-P72YLMU-A-BS	Dwg. No.	Notes for the models	Revision info.
			Part Name								
101	R63 052 652	G	Panel R		1	1			KB02A370G05		
102	R63 053 652	G	Panel R	BS		1	1		KB02A370G06		
103	R63 050 652	G	Panel L		1	1			KB02A369G07		
104	R63 051 652	G	Panel L	BS		1	1		KB02A369G08		
105	R61 001 161	G	Frame F		1	1			KD02G738H02		
106	R61 005 161	G	Frame F	BS		1	1		KD02G738G07		
107	R61 014 160	G	Frame assy B		1	1			KJ00L534G01		
108	R61 015 160	G	Frame assy B	BS		1	1		KJ00L534G02		
109	R61 105 162	G	Frame assy LR		1	1			KJ00L538G01		
110	R61 106 162	G	Frame assy LR	BS		1	1		KJ00L538G02		
111	R61 016 160	G	Frame assy L		1	1			KJ00L537G01		
112	R61 017 160	G	Frame assy L	BS		1	1		KJ00L537G02		
113	R63 077 162	G	Frame assy M		1	1			KD00L159G07		
114	R63 080 162	G	Frame assy M	BS		1	1		KD00L159G08		
115	R61 120 690	G	Piping cover		1	1			KB02L912G07		
116	R61 121 690	G	Piping cover	BS		1	1		KB02L912G08		
117	R61 208 651	G	Panel FB		1	1			KB02J835H06		
118	R61 209 651	G	Panel FB	BS		1	1		KB02J835G10		
119	R61 177 651	G	Panel FU		1	1			KB02J839H01		
120	R61 178 651	G	Panel FU	BS		1	1		KB02J839G02		
121	R61 004 119	G	Bell mouth		1	1	1	1	KB25A368H03		
122	R11 003 009	G	Fan guard		1	1	1	1	KB25V019H01		
123	R61 009 669	G	Plate fan guard		4	4	4	4	KD02D205H02		
124	R63 008 611	G	Fin guard B		1	1	1	1	KB07N273G01		
125	R61 016 140	G	Base fan		2	2			KD02D026H01		
126	R61 017 140	G	Base fan	BS		2	2		KD02D026G04		
127	R61 267 220		Motor	920W T 200V	1	1			KB61A888G01		
128	R61 268 220		Motor	920W Y 415V			1	1	KB61A888G02		
129	R63 4H6 300	G	Fan		1	1	1	1	KB25A009H04		
130	R63 4H6 122	G	Box nut	M12 CH	1	1	1	1	P552000X01		
131	R63 014 087	G	Upset screw	M6 X 10	4	4	4	4	P516047X01		
132	R61 030 260	G	Transformer assy				1		KD00C027G03		
133	R61 031 260	G	Transformer assy	BS				1	KD00C027G04		
134	R63 006 087	G	WFT screw	M5 X 12 (30pcs)	1	1	1	1	KB00H418G01	*1	
135	R63 007 087	G	H screw	M5 X 10 KNURLED (30pcs)	3	3	3	3	KB00H418G14	*2	
136	R63 029 087	G	WFT screw	M5 X 16 (10pcs)	1	1	1	1	KD00H026G01	*3	

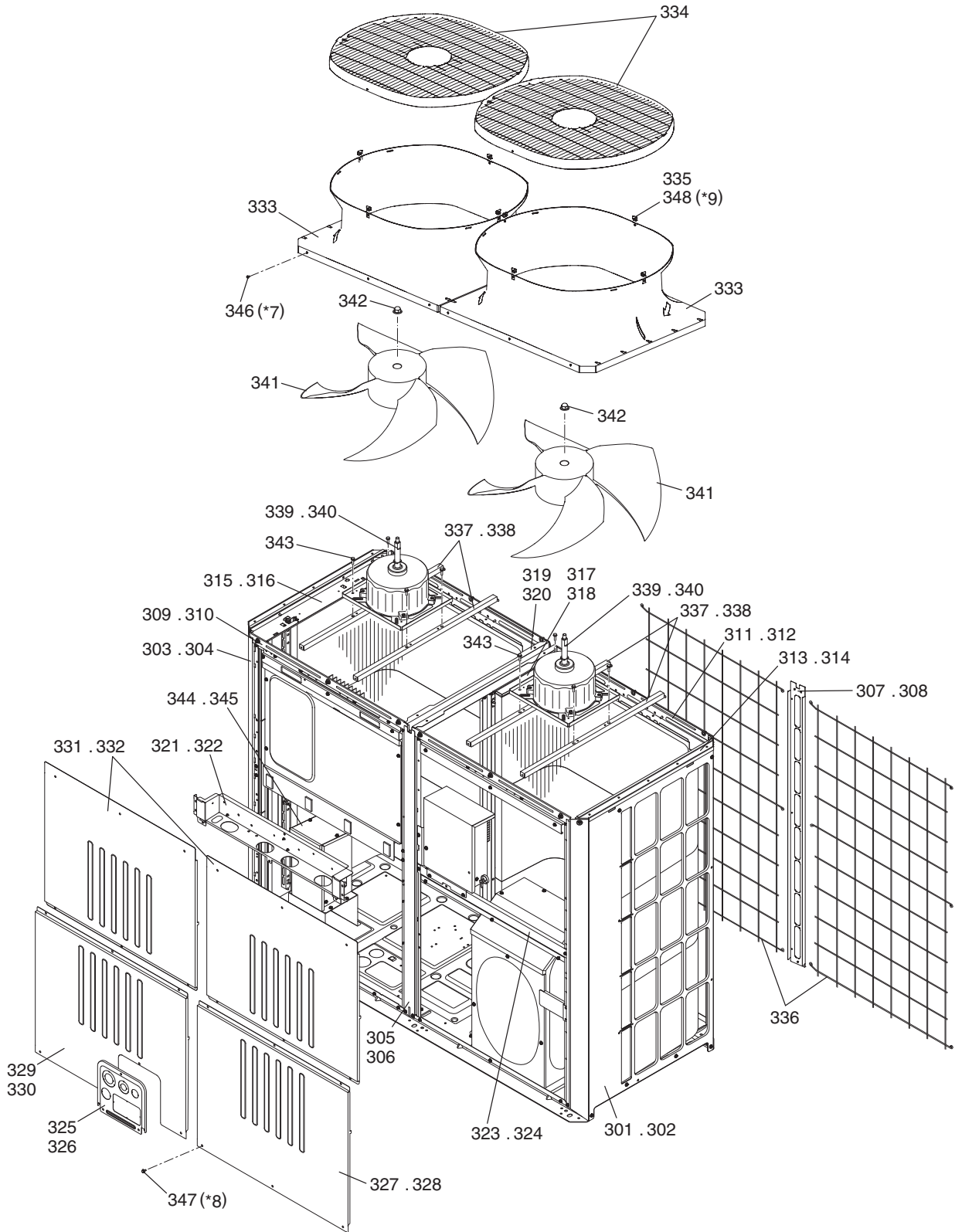


\*4 30 WFT Screws (part No.235)

\*5 PURY-P96TLMU-A(-BS)...86 H Screws (part No.236), PURY-P96YLMU-A(-BS)...91 H Screws (part No.236)

\*6 4 WFT Screws (part No.237)

No.	Part No.	G : RoHS Apply Only W : RoHS Apply by Running Change		Spec.	PURY-P96TLMU-A	PURY-P96YLMU-A-BS	PURY-P96YLMU-A	PURY-P96YLMU-A-BS		Dwg. No.	Notes for the models	Revision info.
			Part Name									
201	R63 052 652	G	Panel R		1	1				KB02A370G05		
202	R63 053 652	G	Panel R	BS		1	1			KB02A370G06		
203	R63 050 652	G	Panel L		1	1				KB02A369G07		
204	R63 051 652	G	Panel L	BS		1	1			KB02A369G08		
205	R61 003 161	G	Frame F		1	1				KD02G739H02		
206	R61 006 161	G	Frame F	BS		1	1			KD02G739G07		
207	R61 018 160	G	Frame assy B		1	1				KJ00L535G01		
208	R61 019 160	G	Frame assy B	BS		1	1			KJ00L535G02		
209	R61 105 162	G	Frame assy LR		1	1				KJ00L538G01		
210	R61 106 162	G	Frame assy LR	BS		1	1			KJ00L538G02		
211	R61 016 160	G	Frame assy L		1	1				KJ00L537G01		
212	R61 017 160	G	Frame assy L	BS		1	1			KJ00L537G02		
213	R61 083 162	G	Frame assy M		1	1				KD00L235G04		
214	R61 084 162	G	Frame assy M	BS		1	1			KD00L235G05		
215	R61 120 690	G	Piping cover		1	1				KB02L912G07		
216	R61 121 690	G	Piping cover	BS		1	1			KB02L912G08		
217	R61 210 651	G	Panel FB		1	1				KB02J836H03		
218	R61 211 651	G	Panel FB	BS		1	1			KB02J836G05		
219	R61 185 651	G	Panel FU		1	1				KB02J840H01		
220	R61 186 651	G	Panel FU	BS		1	1			KB02J840G02		
221	R61 004 119	G	Bell mouth		1	1	1	1		KB25A368H03		
222	R11 003 009	G	Fan guard		1	1	1	1		KB25V019H01		
223	R61 009 669	G	Plate fan guard		4	4	4	4		KD02D205H02		
224	R61 008 118	G	Fan guard cover		2	2	2	2		KB25J827H03		
225	R61 009 611	G	Fin guard B		1	1	1	1		KB07N274G01		
226	R61 016 140	G	Base fan		2	2				KD02D026H01		
227	R61 017 140	G	Base fan	BS		2	2			KD02D026G04		
228	R61 267 220		Motor	920W T 200V	1	1				KB61A888G01		
229	R61 268 220		Motor	920W Y 415V			1	1		KB61A888G02		
230	R63 4H6 300	G	Fan		1	1	1	1		KB25A009H04		
231	R63 4H6 122	G	Box nut	M12 CH	1	1	1	1		P552000X01		
232	R63 014 087	G	Upset screw	M6 X10	4	4	4	4		P516047X01		
233	R61 030 260	G	Transformer assy				1			KD00C027G03		
234	R61 031 260	G	Transformer assy	BS				1		KD00C027G04		
235	R63 006 087	G	WFT Screw	M5 X12 (30pcs)	1	1	1	1		KB00H418G01	*4	
236	R63 007 087	G	H Screw	M5 X10 KNURLED (30pcs)	3	3	4	4		KB00H418G14	*5	
237	R63 029 087	G	WFT Screw	M5 X16 (10pcs)	1	1	1	1		KD00H026G01	*6	



\*7 52 WFT Screws (part No.346),  
 \*8 PURY-P120,P144,P168TLMU-A(-BS)...127 H Screws (part No.347),  
 PURY-P120,P144,P168YLMU-A(-BS)...135 H Screws (part No.347)  
 \*9 8 WFT Screws (part No.348)

No.	Part No.	G : RoHS Apply Only W : RoHS Apply by Running Change		Spec.	PURY-P120TLMU-A	PURY-P120YLMU-A-BS	PURY-P144TLMU-A	PURY-P144YLMU-A-BS	PURY-P168TLMU-A	PURY-P168YLMU-A-BS	Dwg. No.	Notes for the models	Revision info.
			Part Name										
301	R63 052 652	G	Panel R		1		1		1		KB02A370G05		
302	R63 053 652	G	Panel R	BS		1		1		1	KB02A370G06		
303	R63 050 652	G	Panel L		1		1		1		KB02A369G07		
304	R63 051 652	G	Panel L	BS		1		1		1	KB02A369G08		
305	R61 022 626	G	Pillar assy MF		1		1		1		KD00R845G09		
306	R61 023 626	G	Pillar assy MF	BS		1		1		1	KD00R845G10		
307	R61 030 626	G	Pillar MB		1		1		1		KD02M109G01		
308	R61 031 626	G	Pillar MB	BS		1		1		1	KD02M109G02		
309	R61 061 162	G	Frame assy F		1		1		1		KD00L182G03		
310	R61 094 162	G	Frame assy F	BS		1		1		1	KD00L182G07		
311	R61 020 160	G	Frame assy B		1		1		1		KJ00L536G01		
312	R61 021 160	G	Frame assy B	BS		1		1		1	KJ00L536G02		
313	R61 105 162	G	Frame assy LR		1		1		1		KJ00L538G01		
314	R61 106 162	G	Frame assy LR	BS		1		1		1	KJ00L538G02		
315	R61 016 160	G	Frame assy L		1		1		1		KJ00L537G01		
316	R61 017 160	G	Frame assy L	BS		1		1		1	KJ00L537G02		
317	R61 014 499	G	Plate HEX assy		1		1		1		KJ00L539G01		
318	R61 015 499	G	Plate HEX assy	BS		1		1		1	KJ00L539G02		
319	R61 072 162	G	Frame MT		1		1		1		KB02J833H01		
320	R61 073 162	G	Frame MT	BS		1		1		1	KB02J833G01		
321	R63 087 162	G	Frame M assy		1		1		1		KD00L159G09		
322	R63 088 162	G	Frame M assy	BS		1		1		1	KD00L159G10		
323	R61 058 162	G	Frame MR		1		1		1		KD02G743H04		
324	R61 059 162	G	Frame MR	BS		1		1		1	KD02G743G02		
325	R61 120 690	G	Piping cover		1		1		1		KB02L912G07		
326	R61 121 690	G	Piping cover	BS		1		1		1	KB02L912G08		
327	R61 212 651	G	Panel FBR		1		1		1		KB02J838H04		
328	R61 213 651	G	Panel FBR	BS		1		1		1	KB02J838G06		
329	R61 182 651	G	Panel FBL		1		1		1		KB02J837H02		
330	R61 183 651	G	Panel FBL	BS		1		1		1	KB02J837G04		
331	R61 177 651	G	Panel FU		2		2		2		KB02J839H01		
332	R61 178 651	G	Panel FU	BS		2		2		2	KB02J839G02		
333	R61 005 119	G	Bell mouth		2	2	2	2	2	2	KB25A367H03		
334	R11 003 009	G	Fan guard		2	2	2	2	2	2	KB25V019H01		
335	R61 009 669	G	Plate Fan guard		8	8	8	8	8	8	KD02D205H02		
336	R61 010 611	G	Fin guard B		2	2	2	2	2	2	KB07N272G01		
337	R61 016 140	G	Base fan		4		4		4		KD02D026H01		
338	R61 017 140	G	Base fan	BS		4		4		4	KD02D026G04		
339	R61 267 220		Motor	920W T 200V	2	2	2	2	2	2	KB61A888G01		
340	R61 268 220		Motor	920W Y 415V							KB61A888G02		
341	R63 4H6 300	G	Fan		2	2	2	2	2	2	KB25A009H04		
342	R63 4H6 122	G	Box nut	M12 CH	2	2	2	2	2	2	P552000X01		
343	R63 014 087	G	Upset Screw	M6 X 10	8	8	8	8	8	8	P516047X01		
344	R61 030 260	G	Transformer assy								KD00C027G03		
345	R61 031 260	G	Transformer assy	BS							KD00C027G04		



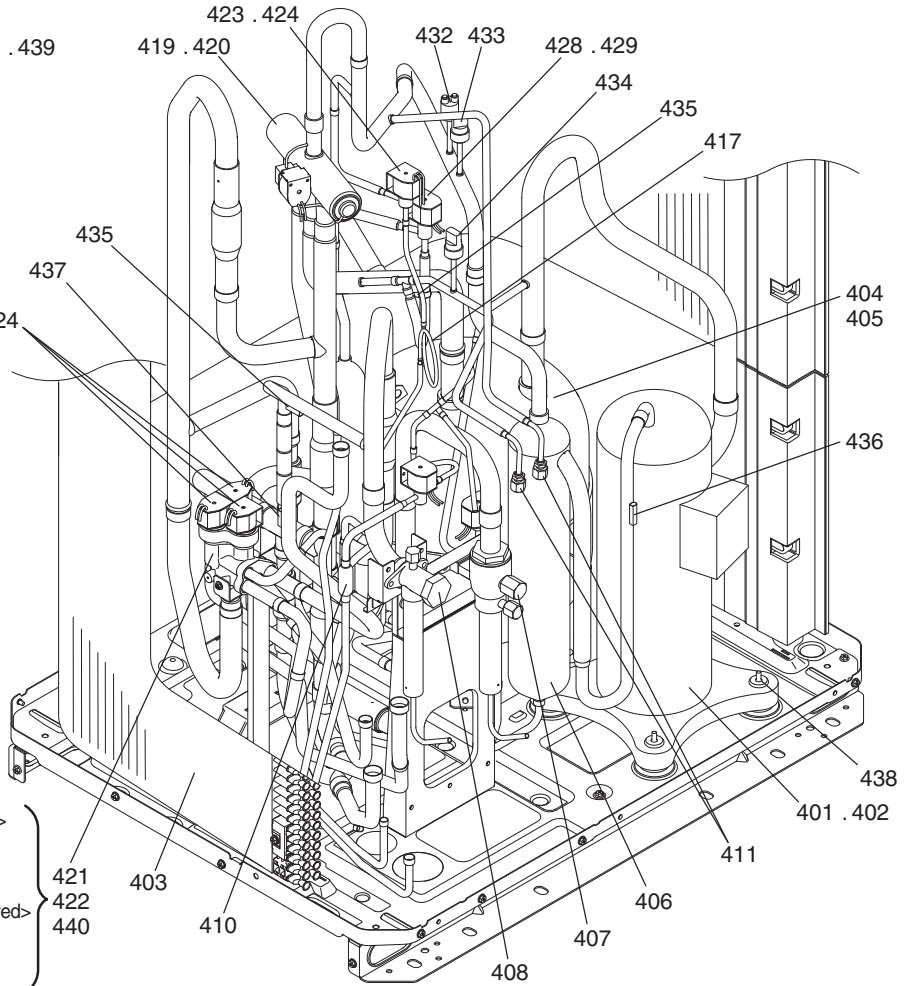
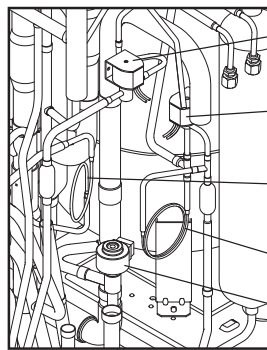
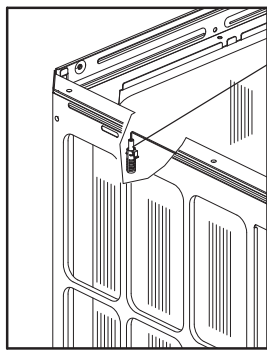
No.	Part No.	G : RoHS Apply Only W : RoHS Apply by Running Change		Spec.							Dwg. No.	Notes for the models	Revision info.
			Part Name		PURY-P120TLMU-A	PURY-P120YLMU-A-BS	PURY-P144TLMU-A	PURY-P144YLMU-A-BS	PURY-P168TLMU-A	PURY-P168YLMU-A-BS			
346	R63 006 087	G	WFT Screw	M5×12 (30pcs)	2	2	2	2	2	2	KB00H418G01	*7	
347	R63 007 087	G	H Screw	M5×10 KNURLED (30pcs)	5	5	5	5	5	5	KB00H418G14	*8	
348	R63 029 087	G	WFT Screw	M5×16 (10pcs)	1	1	1	1	1	1	KD00H026G01	*9	

No.	Part No.	G : RoHS Apply Only W : RoHS Apply by Running Change		Spec.	PURY-P120YLMU-A	PURY-P120TLMU-A-BS	PURY-P144YLMU-A	PURY-P144TLMU-A-BS	PURY-P168YLMU-A	PURY-P168TLMU-A-BS	Dwg. No.	Notes for the models	Revision info.
		Part Name											
301	R63 052 652	G	Panel R		1		1		1		KB02A370G05		
302	R63 053 652	G	Panel R	BS		1		1		1	KB02A370G06		
303	R63 050 652	G	Panel L		1		1		1		KB02A369G07		
304	R63 051 652	G	Panel L	BS		1		1		1	KB02A369G08		
305	R61 022 626	G	Pillar assy MF		1		1		1		KD00R845G09		
306	R61 023 626	G	Pillar assy MF	BS		1		1		1	KD00R845G10		
307	R61 030 626	G	Pillar MB		1		1		1		KD02M109G01		
308	R61 031 626	G	Pillar MB	BS		1		1		1	KD02M109G02		
309	R61 061 162	G	Frame assy F		1		1		1		KD00L182G03		
310	R61 094 162	G	Frame assy F	BS		1		1		1	KD00L182G07		
311	R61 020 160	G	Frame assy B		1		1		1		KJ00L536G01		
312	R61 021 160	G	Frame assy B	BS		1		1		1	KJ00L536G02		
313	R61 105 162	G	Frame assy LR		1		1		1		KJ00L538G01		
314	R61 106 162	G	Frame assy LR	BS		1		1		1	KJ00L538G02		
315	R61 016 160	G	Frame assy L		1		1		1		KJ00L537G01		
316	R61 017 160	G	Frame assy L	BS		1		1		1	KJ00L537G02		
317	R61 014 499	G	Plate HEX assy		1		1		1		KJ00L539G01		
318	R61 015 499	G	Plate HEX assy	BS		1		1		1	KJ00L539G02		
319	R61 072 162	G	Frame MT		1		1		1		KB02J833H01		
320	R61 073 162	G	Frame MT	BS		1		1		1	KB02J833G01		
321	R63 087 162	G	Frame M assy		1		1		1		KD00L159G09		
322	R63 088 162	G	Frame M assy	BS		1		1		1	KD00L159G10		
323	R61 058 162	G	Frame MR		1		1		1		KD02G743H04		
324	R61 059 162	G	Frame MR	BS		1		1		1	KD02G743G02		
325	R61 120 690	G	Piping cover		1		1		1		KB02L912G07		
326	R61 121 690	G	Piping cover	BS		1		1		1	KB02L912G08		
327	R61 212 651	G	Panel FBR		1		1		1		KB02J838H04		
328	R61 213 651	G	Panel FBR	BS		1		1		1	KB02J838G06		
329	R61 182 651	G	Panel FBL		1		1		1		KB02J837H02		
330	R61 183 651	G	Panel FBL	BS		1		1		1	KB02J837G04		
331	R61 177 651	G	Panel FU		2		2		2		KB02J839H01		
332	R61 178 651	G	Panel FU	BS		2		2		2	KB02J839G02		
333	R61 005 119	G	Bell mouth		2	2	2	2	2	2	KB25A367H03		
334	R11 003 009	G	Fan guard		2	2	2	2	2	2	KB25V019H01		
335	R61 009 669	G	Plate Fan guard		8	8	8	8	8	8	KD02D205H02		
336	R61 010 611	G	Fin guard B		2	2	2	2	2	2	KB07N272G01		
337	R61 016 140	G	Base fan		4		4		4		KD02D026H01		
338	R61 017 140	G	Base fan	BS		4		4		4	KD02D026G04		
339	R61 267 220		Motor	920W T 200V							KB61A888G01		
340	R61 268 220		Motor	920W Y 415V	2	2	2	2	2	2	KB61A888G02		
341	R63 4H6 300	G	Fan		2	2	2	2	2	2	KB25A009H04		
342	R63 4H6 122	G	Box nut	M12 CH	2	2	2	2	2	2	P552000X01		
343	R63 014 087	G	Upset Screw	M6 X 10	8	8	8	8	8	8	P516047X01		
344	R61 030 260	G	Transformer assy		1		1		1		KD00C027G03		
345	R61 031 260	G	Transformer assy	BS		1		1		1	KD00C027G04		

PURY-P120,P144,P168TLMU-A(-BS)  
 PURY-P120,P144,P168YLMU-A(-BS)

**EXTERNAL PARTS & BLOWER PARTS (3)**

No.	Part No.	G : RoHS Apply Only W: RoHS Apply by Running Change		Spec.	PURY-P120YLMU-A	PURY-P120TLMU-A-BS	PURY-P144YLMU-A	PURY-P144TLMU-A-BS	PURY-P168YLMU-A	PURY-P168TLMU-A-BS	Dwg. No.	Notes for the models	Revision info.
			Part Name										
346	R63 006 087	G	WFT Screw	M5×12 (30pcs)	2	2	2	2	2	2	KB00H418G01	*7	
347	R63 007 087	G	H Screw	M5×10 KNURLED (30pcs)	5	5	5	5	5	5	KB00H418G14	*8	
348	R63 029 087	G	WFT Screw	M5×16 (10pcs)	1	1	1	1	1	1	KD00H026G01	*9	



<To replace parts with the HEX removed>  
 Individual replacement of parts 421 and 422 is possible.

<To replace parts without the HEX removed>  
 (\*10, \*11)  
 Replace parts 421 and 422 with a service pipe assembly 441 (Figure 1).

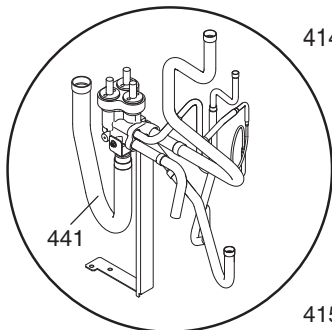
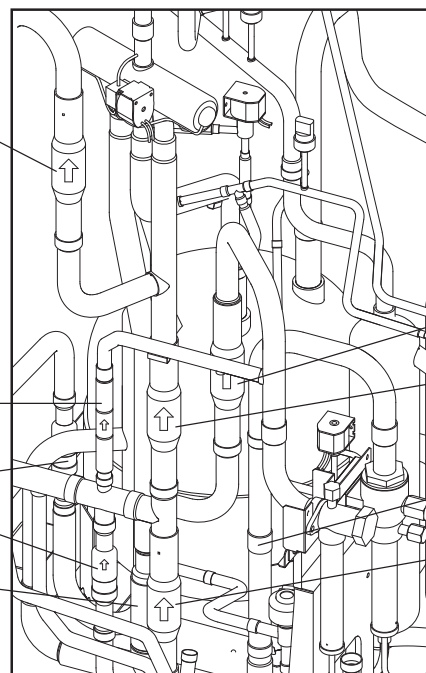
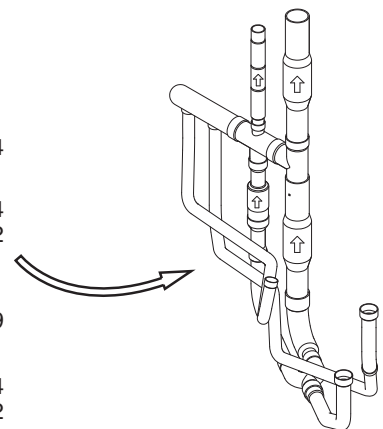


Figure 1

<To replace parts with the HEX removed>  
 Individual replacement of parts 413, 414, and 415 is possible.



<To replace parts without the HEX removed>  
 (\*10, \*12)  
 Remove the solenoid valve block assembly (Figure 1), take the check valve assembly (see figure below) out of the unit, and replace parts 442, 443, 444.

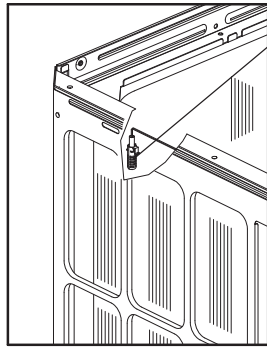


\*10 Refer to the replacement instructions provided with parts 441, 442, 443, and 444 for details.

\*11 A solenoid valve block assy and a sheet of replacement instructions are included with Solenoid valve block service parts kit (No. 441).

\*12 A check valve and a sheet of replacement instructions are included with Service parts with instructions (No. 442, 443, 444).

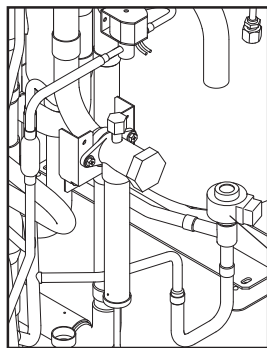
No.	Part No.	G : RoHS Apply Only W : RoHS Apply by Running Change		Spec.	PURY-P72TLMU-A	PURY-P72TLMU-A-BS	PURY-P72YLMU-A	PURY-P72YLMU-A-BS	Dwg. No.	Notes for the models	Revision info.
		Part Name									
401	R69 130 478			Scroll compressor	ENB62FB-U	1	1			EP10132B06	
402	R69 103 478	G		Scroll compressor	ENB62FB-YE			1	1	EP10132B04	
403	R61 935 480			Heat exchanger	S	1	1	1	1	KD00U826G01	
404	R61 037 484	W		Accumulator assy		1		1		KB54B375G15	
405	R61 038 484	G		Accumulator assy	BS		1		1	KB54B375G16	
406	R61 044 487	G		Oil separator assy		1	1	1	1	KJ00L830G02	
407	R61 009 410	G		Ball valve	SBV-JA10YGME-3	1	1	1	1	P636358X01	<(LP)BV1>
408	R63 007 538	G		Valve	VSAMH8SSCM-LA1	1	1	1	1	P636353X01	<(HP)BV2>
409	R61 008 454	G		Strainer	25.4D	1	1	1	1	KB48K250G01	<ST1>
410	R63 A42 454	G		Strainer	9.52	1	1	1	1	W882823G01	<ST18>
411	R61 004 413	G		Check joint L		2	2	2	2	P666013X01	<(HP)CJ1,(LP)CJ2>
412	R61 013 418	G		Check valve	YBV-22YA7GMD-1	1	1	1	1	P633132X01	<CV2a>
413	R61 019 418	G		Check valve	UCV-A1507DQ4	2	2	2	2	P633135X01	<CV3a,CV9a>
414	R61 002 418	G		Check valve	YBV-22Y9GMD-1	4	4	4	4	P639183X01	<CV4a,CV5a,CV7a,CV8a>
415	R61 005 418	G		Check valve	YAV-P11Y5HMD-1	1	1	1	1	P633133X01	<CV6a>
416	R63 002 425	G		Capillary tube assy		1	1	1	1	KB49F229G01	<CP1>
417	R61 008 425	G		Capillary tube assy		1	1	1	1	KB49H700G01	<CP2>
418	R61 022 425	G		Capillary tube assy		1	1	1	1	KD49F641G01	<CP3>
419	R61 013 403	G		Four way valve	STF-H0731	1	1	1	1	P633130X01	<21S4a>
420	R61 040 243	G		Four way valve coil	STF-H01AQ1969UA1	1	1	1	1	P472095X01	<21S4a>
421	R61 038 232	G		Valve block assy	3SV	1	1	1	1	KB00T028G02	
422	R63 6A7 235	G		Solenoid valve	ACS-BPMD-8	3	3	3	3	P631310X01	<SV4a,SV4b,SV4d>
423	R63 Y07 232	G		Solenoid valve	ATS-B7SMD-1	1	1	1	1	P631291X01	<SV9>
424	R63 6A7 243	W		Solenoid valve coil	A20-1B02B-1	4	4	4	4	P472010X01	<SV4a,SV4b,SV4d,SV9>
425	R63 046 232	G		Solenoid valve	FD2A77	1	1	1	1	P631312X01	<SV1a>
426	R61 029 243	G		Solenoid valve coil	FQ-D808	1	1	1	1	P472086X01	<SV1a>
427	R63 027 232	G		Solenoid valve	VPV-L202D	1	1	1	1	P631296X01	<SV5b>
428	R63 001 921	G		Solenoid valve	VPV-603DQ3	1	1	1	1	P631295X01	<SV7>
429	R61 011 243	G		Solenoid valve coil	VPV-MOAQ540UA1	2	2	2	2	P472047X01	<SV5b,SV7>
430	R61 036 401	G		Linear expansion valve	PAM-BBOYGMD-1	1	1	1	1	P632504X01	<LEV5a>
431	R61 030 243	G		Linear expansion valve coil	PAM-MD12MD-6	1	1	1	1	P472081X01	<LEV5a>
432	R63 Y11 208	G		Pressure switch	ACB-1UB28W	1	1	1	1	P426320X01	<63H1>
433	R63 049 288	G		Pressure sensor	HP	1	1	1	1	KB00H904G20	<63HS1>
434	R63 050 288	G		Pressure sensor	LP	1	1	1	1	KB00H904G21	<63LS>
435	R61 060 200	G		Thermistor		3	3	3	3	P418065X01	<TH3,TH5,TH7>
436	R63 911 202	G		Thermistor		1	1	1	1	P425416X02	<TH4>
437	R63 800 202	G		Thermistor		1	1	1	1	P425494X01	<TH6>
438	R63 852 860	G		Rubber mount		4	4	4	4	W897574H01	For compressor
439	R61 001 310	G		Sensor holder		1	1	1	1	KB25B471H03	
440	R63 6A7 245	G		SV tightening element		1	1	1	1	W909209G01	
441	R61 072 232			SV block service parts kit		1	1	1	1	KD00U820G01	*11
442	R61 035 418			Check valve 1	(with instructions)	2	2	2	2	KD00U820G03	*12 <CV4a,CV8a>
443	R61 036 418			Check valve 2	(with instructions)	1	1	1	1	KD00U820G04	*12 <CV6a>
444	R61 037 418			Check valve 3	(with instructions)	1	1	1	1	KD00U820G05	*12 <CV9a>



535 . 539

<To replace parts with the HEX removed>  
 Individual replacement of parts 521 and 522 is possible.

<To replace parts without the HEX removed> (\*13, \*14)  
 Replace parts 521 and 522 with a service pipe assembly 541 (Figure 1).



530  
 531

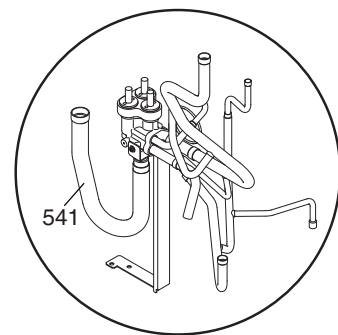
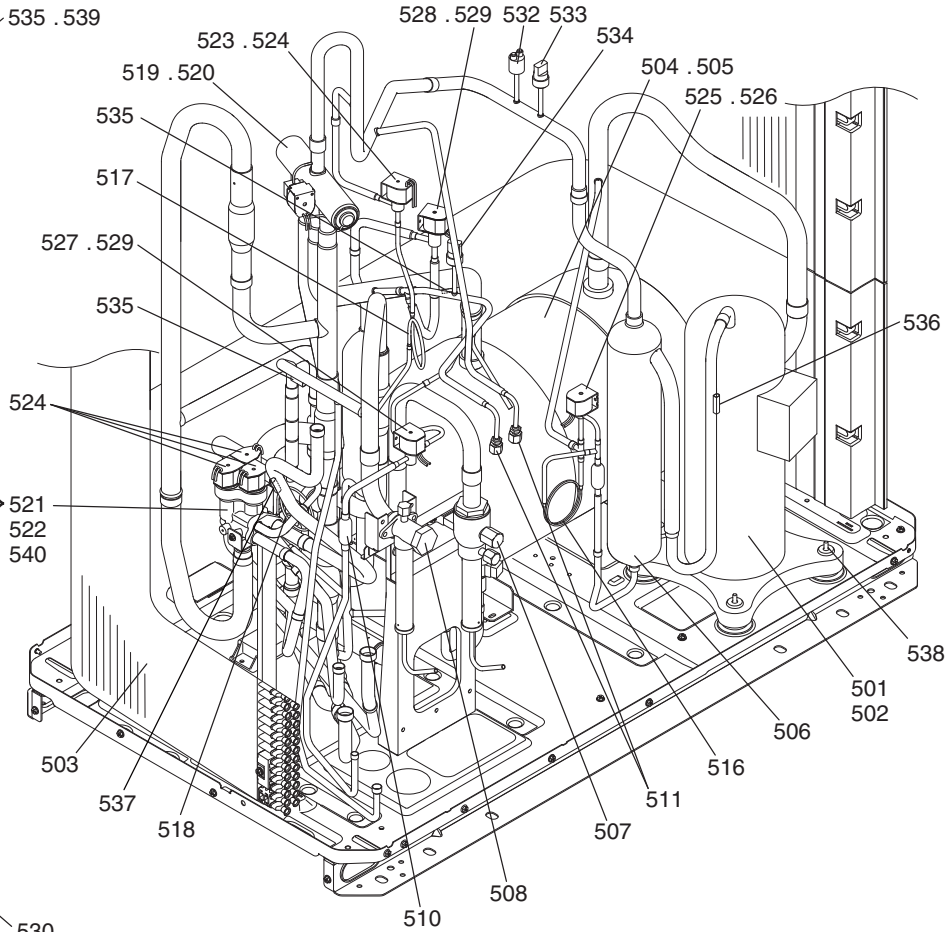
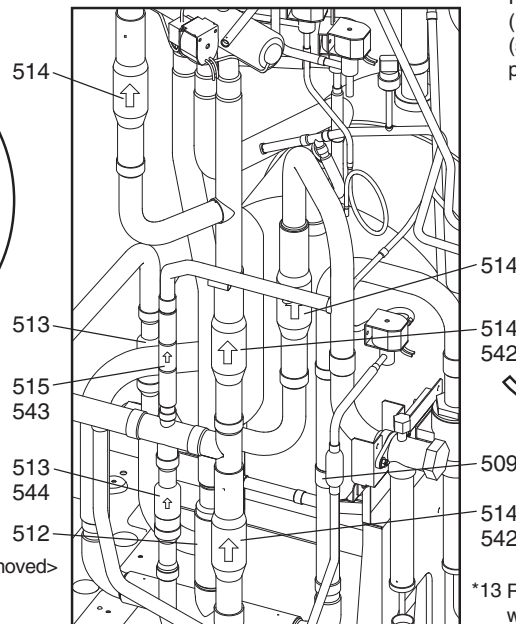
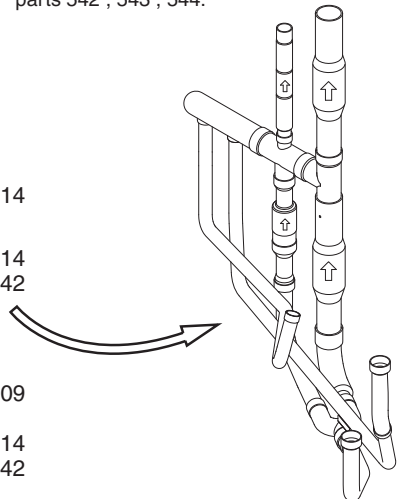


Figure 1

<To replace parts with the HEX removed>  
 Individual replacement of parts 513, 514, and 515 is possible.



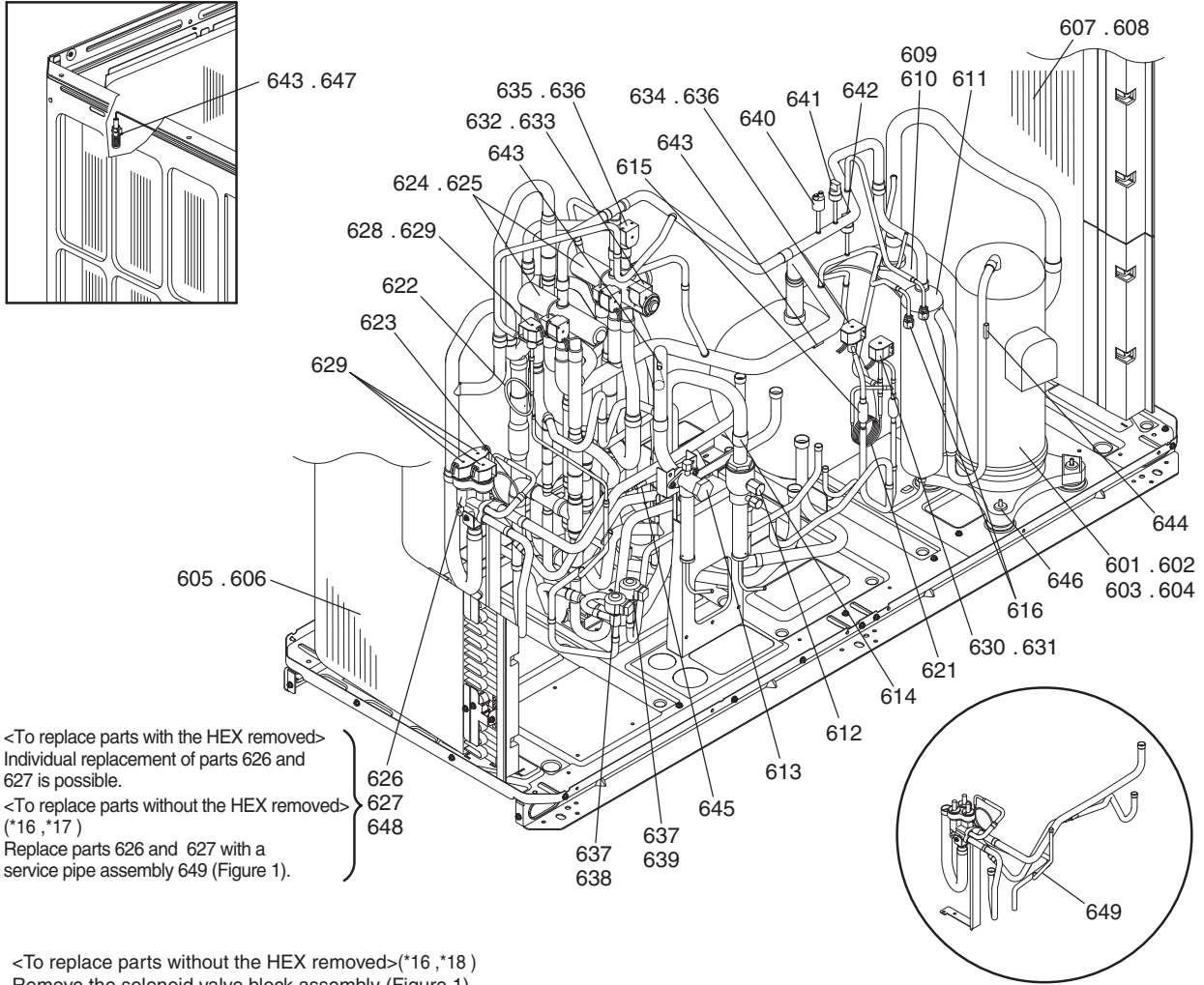
<To replace parts without the HEX removed>  
 (\*13, \*15)  
 Remove the solenoid valve block assembly (Figure 1), take the check valve assembly (see figure below) out of the unit, and replace parts 542, 543, 544.



\*13 Refer to the replacement instructions provided with parts 541, 542, 543, and 544 for details.

\*14 A solenoid valve block assy and a sheet of replacement instructions are included with Solenoid valve block service parts kit (No. 541).  
 \*15 A check valve and a sheet of replacement instructions are included with Service parts with instructions (No. 542, 543, 544).

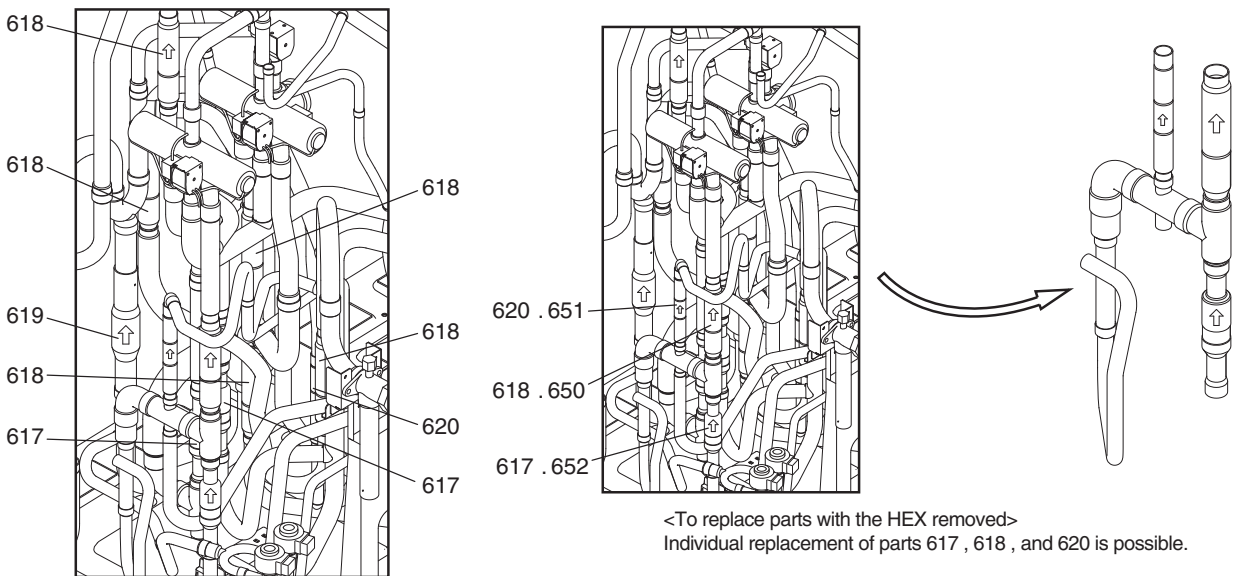
No.	Part No.	G : RoHS Apply Only W : RoHS Apply by Running Change		Spec.	PURY-P96TLMU-A	PURY-P96YLMU-A-BS	PURY-P96YLMU-A	PURY-P96YLMU-A-BS		Dwg. No.	Notes for the models	Revision info.
			Part Name									
501	R69 130 478		Scroll compressor	ENB62FB-U	1	1				EP10132B06		
502	R69 103 478	G	Scroll compressor	ENB62FB-YE			1	1		EP10132B04		
503	R61 936 480		Heat exchanger	L	1	1	1	1		KD00U827G01		
504	R61 091 484	G	Accumulator assy		1		1			KB54B479G29		
505	R61 090 484	G	Accumulator assy	BS		1		1		KB54B479G30		
506	R61 044 487	G	Oil separator assy		1	1	1	1		KJ00L830G02		
507	R61 009 410	G	Ball valve	SBV-JA10YGME-3	1	1	1	1		P636358X01	<(LP)BV1>	
508	R63 007 538	G	Valve	VSAMH8SSCM-LA1	1	1	1	1		P636353X01	<(HP)BV2>	
509	R61 008 454	G	Strainer	25.4D	1	1	1	1		KB48K250G01	<ST1>	
510	R63 A42 454	G	Strainer	9.52	1	1	1	1		W882823G01	<ST18>	
511	R61 004 413	G	Check joint L		2	2	2	2		P666013X01	<(HP)CJ1,(LP)CJ2>	
512	R61 013 418	G	Check valve	YBV-22YA7GMD-1	1	1	1	1		P633132X01	<CV2a>	
513	R61 019 418	G	Check valve	UCV-A1507DQ4	2	2	2	2		P633135X01	<CV3a,CV9a>	
514	R61 002 418	G	Check valve	YBV-22Y9GMD-1	4	4	4	4		P639183X01	<CV4a,CV5a,CV7a,CV8a>	
515	R61 005 418	G	Check valve	YAV-P11Y5HMD-1	1	1	1	1		P633133X01	<CV6a>	
516	R63 002 425	G	Capillary tube assy		1	1	1	1		KB49F229G01	<CP1>	
517	R61 008 425	G	Capillary tube assy		1	1	1	1		KB49H700G01	<CP2>	
518	R61 022 425	G	Capillary tube assy		1	1	1	1		KD49F641G01	<CP3>	
519	R61 013 403	G	Four way valve	STF-H0731	1	1	1	1		P633130X01	<21S4a>	
520	R61 040 243	G	Four way valve coil	STF-H01AQ1969UA1	1	1	1	1		P472095X01	<21S4a>	
521	R61 038 232	G	Valve block assy	3SV	1	1	1	1		KB00T028G02		
522	R63 6A7 235	G	Solenoid valve	ACS-BPMD-8	3	3	3	3		P631310X01	<SV4a,SV4b,SV4d>	
523	R63 Y07 232	G	Solenoid valve	ATS-B7SMD-1	1	1	1	1		P631291X01	<SV9>	
524	R63 6A7 243	W	Solenoid valve coil	A20-1B02B-1	4	4	4	4		P472010X01	<SV4a,SV4b,SV4d,SV9>	
525	R63 046 232	G	Solenoid valve	FDFA277	1	1	1	1		P631312X01	<SV1a>	
526	R61 029 243	G	Solenoid valve coil	FQ-D808	1	1	1	1		P472086X01	<SV1a>	
527	R63 027 232	G	Solenoid valve	VPV-L202D	1	1	1	1		P631296X01	<SV5b>	
528	R63 001 921	G	Solenoid valve	VPV-603DQ3	1	1	1	1		P631295X01	<SV7>	
529	R61 011 243	G	Solenoid valve coil	VPV-MOAQ540UA1	2	2	2	2		P472047X01	<SV5b,SV7>	
530	R61 036 401	G	Linear expansion valve	PAM-BBOYGMD-1	1	1	1	1		P632504X01	<LEV5a>	
531	R61 030 243	G	Linear expansion valve coil	PAM-MD12MD-6	1	1	1	1		P472081X01	<LEV5a>	
532	R63 Y11 208	G	Pressure switch	ACB-1UB28W	1	1	1	1		P426320X01	<63H1>	
533	R63 049 288	G	Pressure sensor	HP	1	1	1	1		KB00H904G20	<63HS1>	
534	R63 050 288	G	Pressure sensor	LP	1	1	1	1		KB00H904G21	<63LS>	
535	R61 060 200	G	Thermistor		3	3	3	3		P418065X01	<TH3,TH5,TH7>	
536	R63 911 202	G	Thermistor		1	1	1	1		P425416X02	<TH4>	
537	R63 800 202	G	Thermistor		1	1	1	1		P425494X01	<TH6>	
538	R63 852 860	G	Rubber mount		4	4	4	4		W897574H01	For compressor	
539	R61 001 310	G	Sensor holder		1	1	1	1		KB25B471H03		
540	R63 6A7 245	G	SV tightening element		1	1	1	1		W909209G01		
541	R61 073 232		SV block service parts kit		1	1	1	1		KD00U820G02	*14	
542	R61 035 418		Check valve 1	(with instructions)	2	2	2	2		KD00U820G03	*15 <CV4a,CV8a>	
543	R61 036 418		Check valve 2	(with instructions)	1	1	1	1		KD00U820G04	*15 <CV6a>	
544	R61 037 418		Check valve 3	(with instructions)	1	1	1	1		KD00U820G05	*15 <CV9a>	



<To replace parts with the HEX removed>  
 Individual replacement of parts 626 and 627 is possible.  
 <To replace parts without the HEX removed>  
 (\*16,\*17)  
 Replace parts 626 and 627 with a service pipe assembly 649 (Figure 1).

<To replace parts without the HEX removed>(\*16,\*18)  
 Remove the solenoid valve block assembly (Figure 1),  
 take the check valve assembly (see figure below) out of the unit, and replace parts 650, 651, 652.

Figure 1



<To replace parts with the HEX removed>  
 Individual replacement of parts 617, 618, and 620 is possible.

\*16 Refer to the replacement instructions provided with parts 649, 650, 651, and 652 for details.

\*17 A solenoid valve block assy and a sheet of replacement instructions are included with Solenoid valve block service parts kit (No. 649).

\*18 A check valve and a sheet of replacement instructions are included with Service parts with instructions (No. 650, 651, 652).

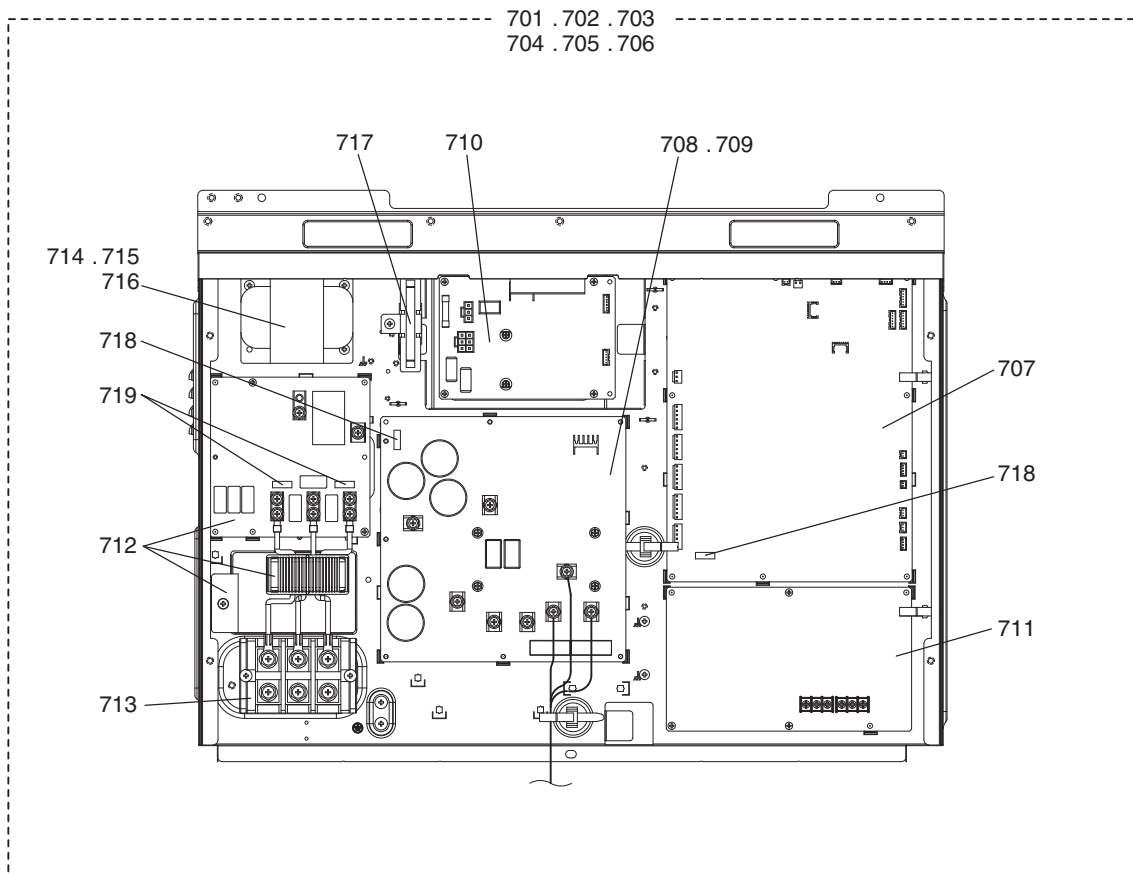


No.	Part No.	G : RoHS Apply Only W : RoHS Apply by Running Change	Part Name	Spec.							Dwg. No.	Notes for the models	Revision info.
					PURY-P120TLMU-A	PURY-P120YLMU-A-BS	PURY-P144TLMU-A	PURY-P144YLMU-A-BS	PURY-P168TLMU-A	PURY-P168YLMU-A-BS			
601	R69 128 478		Scroll compressor	HNB83FC-U	1	1	1	1			EP10136B08		
602	R69 125 478		Scroll compressor	HNB84FC-U					1	1	EP10126B06		
603	R69 129 478		Scroll compressor	HNB83FC-YE							EP10136B09		
604	R69 118 478	G	Scroll compressor	HNB84FC-YE							EP10126B04		
605	R61 937 480		Heat exchanger L	XL	1		1		1		KD00U696G03		
606	R61 938 480		Heat exchanger L	XL BS		1		1		1	KD00U696G04		
607	R61 939 480		Heat exchanger R	XL	1		1		1		KD00U695G03		
608	R61 940 480		Heat exchanger R	XL BS		1		1		1	KD00U695G04		
609	R61 089 484	G	Accumulator assy		1		1		1		KB54B479G31		
610	R61 088 484	G	Accumulator assy	BS		1		1		1	KB54B479G32		
611	R61 044 487	G	Oil separator assy		1	1	1	1	1	1	KJ00L830G02		
612	R61 009 410	G	Ball valve	SBV-JA10YGME-3	1	1	1	1	1	1	P636358X01	<(LP)BV1>	
613	R63 007 538	G	Valve	VSAMH8SSCM-LA1	1	1	1	1	1	1	P636353X01	<(HP)BV2>	
614	R61 008 454	G	Strainer	25.4D	1	1	1	1	1	1	KB48K250G01	<ST1>	
615	R63 A42 454	G	Strainer	9.52	1	1	1	1	1	1	W882823G01	<ST18>	
616	R61 004 413	G	Check joint L		2	2	2	2	2	2	P666013X01	<(HP)CJ1,(LP)CJ2>	
617	R61 019 418	G	Check valve	UCV-A1507DQ4	3	3	3	3	3	3	P633135X01	<CV2a,CV2b,CV8a>	
618	R61 003 418	G	Check valve	LCVP15-7M	6	6	6	6	6	6	P639180X01	<CV4a,CV4b,CV5a,CV5b,CV7a,CV7b>	
619	R61 002 418	G	Check valve	YBV-22Y9GMD-1	1	1	1	1	1	1	P639183X01	<CV3a>	
620	R61 005 418	G	Check valve	YAV-P11Y5HMD-1	2	2	2	2	2	2	P633133X01	<CV6a,CV6b>	
621	R63 R55 425	G	Capillary tube assy		1	1	1	1	1	1	W905191G02	<CP1>	
622	R61 008 425	G	Capillary tube assy		1	1	1	1	1	1	KB49H700G01	<CP2>	
623	R61 022 425	G	Capillary tube assy		1	1	1	1	1	1	KD49F641G01	<CP3>	
624	R61 013 403	G	Four way valve	STF-H0731	2	2	2	2	2	2	P633130X01	<21S4a,21S4b>	
625	R61 040 243	G	Four way valve coil	STF-H01AQ1969UA1	2	2	2	2	2	2	P472095X01	<21S4a,21S4b>	
626	R61 038 232	G	Valve block assy	3SV	1	1	1	1	1	1	KB00T028G02		
627	R63 6A7 235	G	Solenoid valve	ACS-BPMD-8	3	3	3	3	3	3	P631310X01	<SV4a,SV4b,SV4d>	
628	R63 Y07 232	G	Solenoid valve	ATS-B7SMD-1	1	1	1	1	1	1	P631291X01	<SV9>	
629	R63 6A7 243	W	Solenoid valve coil	A20-1B02B-1	4	4	4	4	4	4	P472010X01	<SV4a,SV4b,SV4d,SV9>	
630	R63 046 232	G	Solenoid valve	FDFA277	1	1	1	1	1	1	P631312X01	<SV1a>	
631	R61 029 243	G	Solenoid valve coil	FQ-D808	1	1	1	1	1	1	P472086X01	<SV1a>	
632	R63 P89 232	G	Solenoid valve	SR66PF-06WR	1	1	1	1	1	1	P631278X01	<SV4c>	
633	R61 005 243	W	Solenoid valve coil	SR66PF-05B-2	1	1	1	1	1	1	P472044X02	<SV4c>	
634	R63 027 232	G	Solenoid valve	VPV-L202D	1	1	1	1	1	1	P631296X01	<SV5b>	
635	R61 040 232	G	Solenoid valve	VPV-803DQ50	1	1	1	1	1	1	P631300X01	<SV7>	
636	R61 011 243	G	Solenoid valve coil	VPV-MOAQ540UA1	2	2	2	2	2	2	P472047X01	<SV5b,SV7>	
637	R61 036 401	G	Linear expansion valve	PAM-BBOYGMD-1	2	2	2	2	2	2	P632504X01	<LEV5a,LEV5b>	
638	R61 030 243	G	Linear expansion valve coil	PAM-MD12MD-6	1	1	1	1	1	1	P472081X01	<LEV5a>	
639	R61 022 243	G	Linear expansion valve coil	PAM-MD12MD-3	1	1	1	1	1	1	P472061X02	<LEV5b>	
640	R63 Y11 208	G	Pressure switch	ACB-1UB28W	1	1	1	1	1	1	P426320X01	<63H1>	
641	R63 052 288	G	Pressure sensor	HP	1	1	1	1	1	1	KB00H904G22	<63HS1>	
642	R63 053 288	G	Pressure sensor	LP	1	1	1	1	1	1	KB00H904G23	<63LS>	
643	R61 060 200	G	Thermistor		3	3	3	3	3	3	P418065X01	<TH3,TH5,TH7>	
644	R63 911 202	G	Thermistor		1	1	1	1	1	1	P425416X02	<TH4>	
645	R63 800 202	G	Thermistor		1	1	1	1	1	1	P425494X01	<TH6>	

No.	Part No.	G : RoHS Apply Only W: RoHS Apply by Running Change		Spec.	PURY-P120TLMU-A	PURY-P120YLMU-A-BS	PURY-P144TLMU-A	PURY-P144YLMU-A-BS	PURY-P168TLMU-A	PURY-P168YLMU-A-BS	Dwg. No.	Notes for the models	Revision info.
		Part Name											
646	R63 852 860	G	Rubber mount		4	4	4	4	4	4	W897574H01	For compressor	
647	R61 001 310	G	Sensor holder		1	1	1	1	1	1	KB25B471H03		
648	R63 6A7 245	G	SV tightening element		1	1	1	1	1	1	W909209G01		
649	R61 074 232		SV block service parts kit		1	1	1	1	1	1	KD00U820G06	*17	
650	R61 038 418		Check valve 1	(with instructions)	1	1	1	1	1	1	KD00U820G07	*18 <CV4a>	
651	R61 039 418		Check valve 2	(with instructions)	1	1	1	1	1	1	KD00U820G08	*18 <CV6a>	
652	R61 040 418		Check valve 3	(with instructions)	1	1	1	1	1	1	KD00U820G09	*18 <CV8a>	

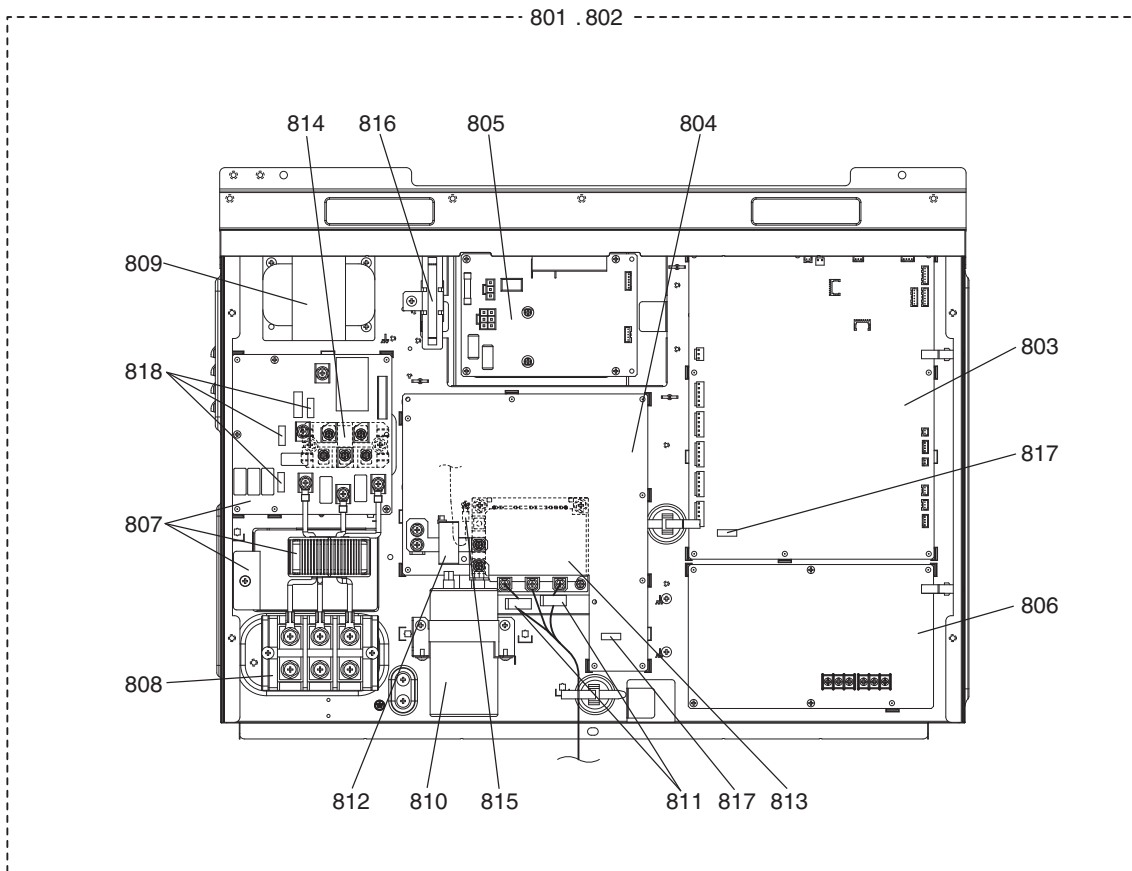
No.	Part No.	G : RoHS Apply Only W : RoHS Apply by Running Change		Spec.	PURY-P120YLMU-A	PURY-P120TLMU-A-BS	PURY-P144YLMU-A	PURY-P144TLMU-A-BS	PURY-P168YLMU-A	PURY-P168TLMU-A-BS	Dwg. No.	Notes for the models	Revision info.
		Part Name											
601	R69 128 478	Scroll compressor		HNB83FC-U							EP10136B08		
602	R69 125 478	Scroll compressor		HNB84FC-U							EP10126B06		
603	R69 129 478	Scroll compressor		HNB83FC-YE	1	1	1	1			EP10136B09		
604	R69 118 478	G Scroll compressor		HNB84FC-YE					1	1	EP10126B04		
605	R61 937 480	Heat exchanger L		XL	1		1		1		KD00U696G03		
606	R61 938 480	Heat exchanger L		XL BS		1		1		1	KD00U696G04		
607	R61 939 480	Heat exchanger R		XL	1		1		1		KD00U695G03		
608	R61 940 480	Heat exchanger R		XL BS		1		1		1	KD00U695G04		
609	R61 089 484	G Accumulator assy			1		1		1		KB54B479G31		
610	R61 088 484	G Accumulator assy		BS		1		1		1	KB54B479G32		
611	R61 044 487	G Oil separator assy			1	1	1	1	1	1	KJ00L830G02		
612	R61 009 410	G Ball valve		SBV-JA10YGME-3	1	1	1	1	1	1	P636358X01	<(LP)BV1>	
613	R63 007 538	G Valve		VSAMH8SSCM-LA1	1	1	1	1	1	1	P636353X01	<(HP)BV2>	
614	R61 008 454	G Strainer		25.4D	1	1	1	1	1	1	KB48K250G01	<ST1>	
615	R63 A42 454	G Strainer		9.52	1	1	1	1	1	1	W882823G01	<ST18>	
616	R61 004 413	G Check joint L			2	2	2	2	2	2	P666013X01	<(HP)CJ1,(LP)CJ2>	
617	R61 019 418	G Check valve		UCV-A1507DQ4	3	3	3	3	3	3	P633135X01	<CV2a,CV2b,CV8a>	
618	R61 003 418	G Check valve		LCVP15-7M	6	6	6	6	6	6	P639180X01	<CV4a,CV4b,CV5a,CV5b,CV7a,CV7b>	
619	R61 002 418	G Check valve		YBV-22Y9GMD-1	1	1	1	1	1	1	P639183X01	<CV3a>	
620	R61 005 418	G Check valve		YAV-P11Y5HMD-1	2	2	2	2	2	2	P633133X01	<CV6a,CV6b>	
621	R63 R55 425	G Capillary tube assy			1	1	1	1	1	1	W905191G02	<CP1>	
622	R61 008 425	G Capillary tube assy			1	1	1	1	1	1	KB49H700G01	<CP2>	
623	R61 022 425	G Capillary tube assy			1	1	1	1	1	1	KD49F641G01	<CP3>	
624	R61 013 403	G Four way valve		STF-H0731	2	2	2	2	2	2	P633130X01	<21S4a,21S4b>	
625	R61 040 243	G Four way valve coil		STF-H01AQ1969UA1	2	2	2	2	2	2	P472095X01	<21S4a,21S4b>	
626	R61 038 232	G Valve block assy		3SV	1	1	1	1	1	1	KB00T028G02		
627	R63 6A7 235	G Solenoid valve		ACS-BPMD-8	3	3	3	3	3	3	P631310X01	<SV4a,SV4b,SV4d>	
628	R63 Y07 232	G Solenoid valve		ATS-B7SMD-1	1	1	1	1	1	1	P631291X01	<SV9>	
629	R63 6A7 243	W Solenoid valve coil		A20-1B02B-1	4	4	4	4	4	4	P472010X01	<SV4a,SV4b,SV4d,SV9>	
630	R63 046 232	G Solenoid valve		FDFA277	1	1	1	1	1	1	P631312X01	<SV1a>	
631	R61 029 243	G Solenoid valve coil		FQ-D808	1	1	1	1	1	1	P472086X01	<SV1a>	
632	R63 P89 232	G Solenoid valve		SR66PF-06WR	1	1	1	1	1	1	P631278X01	<SV4c>	
633	R61 005 243	W Solenoid valve coil		SR66PF-05B-2	1	1	1	1	1	1	P472044X02	<SV4c>	
634	R63 027 232	G Solenoid valve		VPV-L202D	1	1	1	1	1	1	P631296X01	<SV5b>	
635	R61 040 232	G Solenoid valve		VPV-803DQ50	1	1	1	1	1	1	P631300X01	<SV7>	
636	R61 011 243	G Solenoid valve coil		VPV-MOAQ540UA1	2	2	2	2	2	2	P472047X01	<SV5b,SV7>	
637	R61 036 401	G Linear expansion valve		PAM-BBOYGMD-1	2	2	2	2	2	2	P632504X01	<LEV5a,LEV5b>	
638	R61 030 243	G Linear expansion valve coil		PAM-MD12MD-6	1	1	1	1	1	1	P472081X01	<LEV5a>	
639	R61 022 243	G Linear expansion valve coil		PAM-MD12MD-3	1	1	1	1	1	1	P472061X02	<LEV5b>	
640	R63 Y11 208	G Pressure switch		ACB-1UB28W	1	1	1	1	1	1	P426320X01	<63H1>	
641	R63 052 288	G Pressure sensor		HP	1	1	1	1	1	1	KB00H904G22	<63HS1>	
642	R63 053 288	G Pressure sensor		LP	1	1	1	1	1	1	KB00H904G23	<63LS>	
643	R61 060 200	G Thermistor			3	3	3	3	3	3	P418065X01	<TH3,TH5,TH7>	
644	R63 911 202	G Thermistor			1	1	1	1	1	1	P425416X02	<TH4>	
645	R63 800 202	G Thermistor			1	1	1	1	1	1	P425494X01	<TH6>	

No.	Part No.	G : RoHS Apply Only W : RoHS Apply by Running Change		Spec.	PURY-P120YLMU-A	PURY-P120TLMU-A-B8	PURY-P144YLMU-A	PURY-P144TLMU-A-B8	PURY-P168YLMU-A	PURY-P168TLMU-A-B8	Dwg. No.	Notes for the models	Revision info.
			Part Name										
646	R63 852 860	G	Rubber mount		4	4	4	4	4	4	W897574H01	For compressor	
647	R61 001 310	G	Sensor holder		1	1	1	1	1	1	KB25B471H03		
648	R63 6A7 245	G	SV tightening element		1	1	1	1	1	1	W909209G01		
649	R61 074 232		SV block service parts kit		1	1	1	1	1	1	KD00U820G06	*17	
650	R61 038 418		Check valve 1	(with instructions)	1	1	1	1	1	1	KD00U820G07	*18 <CV4a>	
651	R61 039 418		Check valve 2	(with instructions)	1	1	1	1	1	1	KD00U820G08	*18 <CV6a>	
652	R61 040 418		Check valve 3	(with instructions)	1	1	1	1	1	1	KD00U820G09	*18 <CV8a>	



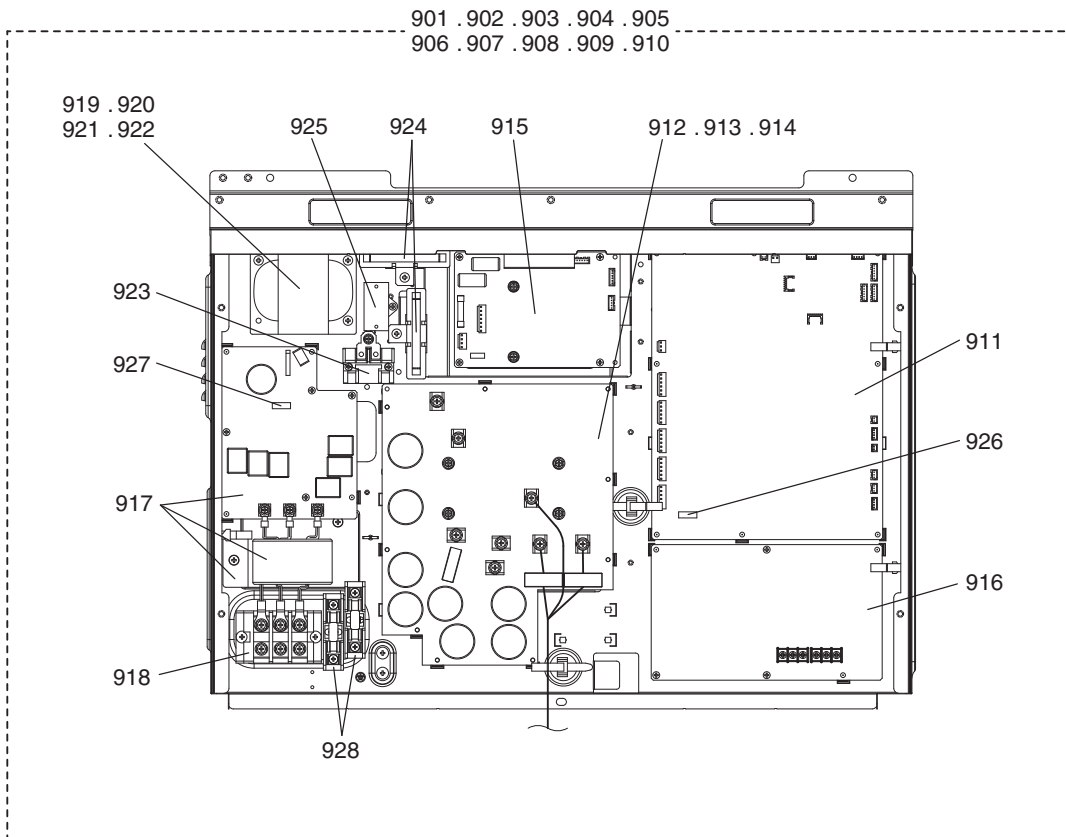
No.	Part No.	G : RoHS Apply Only W : RoHS Apply by Running Change		Spec.	PURY-P72TLMU-A	PURY-P72TLMU-A-BS	PURY-P96TLMU-A	PURY-P96TLMU-A-BS	PURY-P120TLMU-A	PURY-P120TLMU-A-BS	Dwg. No.	Notes for the models	Revision info.
		Part Name											
701	R61 644 305			Control box	R-P72TL	1					KE80G095G19		
702	R61 645 305			Control box	R-P72TL BS		1				KE80G095G20		
703	R61 646 305			Control box	R-P96TL			1			KE80G095G21		
704	R61 647 305			Control box	R-P96TL BS				1		KE80G095G22		
705	R61 648 305			Control box	R-P144TL					1	KE80G095G23		
706	R61 649 305			Control box	R-P144TL BS					1	KE80G095G24		
707	R61 352 280			Control board		1	1	1	1	1	KE80C836G08	<MAIN09>	
708	R61 353 280			INV board		1	1	1	1		KE80C520G10	<INV24>	
709	R61 345 280			INV board					1	1	KE80C520G09	<INV24>	
710	R61 264 280			Fan board		1	1	1	1	1	W652171G15	<INV/S10>	
711	R61 012 281	G		M-NET board		1	1	1	1	1	KE80C055G03	<PS-MNET-Y>	
712	R61 019 293			Noise filter	board,coil,plate	1	1	1	1	1	KE80C726G02		
713	R61 026 246	G		Terminal block		1	1	1	1	1	S436007H02	<TB1>	
714	R61 022 259	G		Reactor		1	1				P715465X01	<DCL>	
715	R61 029 259	W		Reactor			1	1			P715482X01	<DCL>	
716	R61 046 259	G		Reactor					1	1	KR65C279H01	<DCL>	
717	R63 670 234	G		Resistor		1	1	1	1	1	P411113X01	<R1>	
718	R61 018 239	G		Fuse	3.15A AC250V T	2	2	2	2	2	YE81D827H02		
719	R61 006 239	G		Fuse	6.3A AC250V T	2	2	2	2	2	S423001H42		

No.	Part No.	G : RoHS Apply Only W : RoHS Apply by Running Change		Spec.	PURY-P144TLMU-A	PURY-P144TLMU-A-BB				Dwg. No.	Notes for the models	Revision info.
			Part Name									
701	R61 644 305		Control box	R-P72TL						KE80G095G19		
702	R61 645 305		Control box	R-P72TL BS						KE80G095G20		
703	R61 646 305		Control box	R-P96TL						KE80G095G21		
704	R61 647 305		Control box	R-P96TL BS						KE80G095G22		
705	R61 648 305		Control box	R-P144TL	1					KE80G095G23		
706	R61 649 305		Control box	R-P144TL BS		1				KE80G095G24		
707	R61 352 280		Control board		1	1				KE80C836G08	<MAIN09>	
708	R61 353 280		INV board							KE80C520G10	<INV24>	
709	R61 345 280		INV board		1	1				KE80C520G09	<INV24>	
710	R61 264 280		Fan board		1	1				W652171G15	<INV/S10>	
711	R61 012 281	G	M-NET board		1	1				KE80C055G03	<PS-MNET-Y>	
712	R61 019 293		Noise filter	board,coil,plate	1	1				KE80C726G02		
713	R61 026 246	G	Terminal block		1	1				S436007H02	<TB1>	
714	R61 022 259	G	Reactor							P715465X01	<DCL>	
715	R61 029 259	W	Reactor							P715482X01	<DCL>	
716	R61 046 259	G	Reactor		1	1				KR65C279H01	<DCL>	
717	R63 670 234	G	Resistor		1	1				P411113X01	<R1>	
718	R61 018 239	G	Fuse	3.15A AC250V T	2	2				YE81D827H02		
719	R61 006 239	G	Fuse	6.3A AC250V T	2	2				S423001H42		





No.	Part No.	G : RoHS Apply Only W : RoHS Apply by Running Change		Spec.	PURY-P168TLMU-A	PURY-P168TLMU-A-BS			Dwg. No.	Notes for the models	Revision info.
		Part Name									
801	R61 650 305		Control box	R-P168TL	1				KE80G095G25		
802	R61 651 305		Control box	R-P168TL BS		1			KE80G095G26		
803	R61 352 280		Control board		1	1			KE80C836G08	<MAIN09>	
804	R61 188 280		INV board		1	1			W647875G20	<INV25>	
805	R61 264 280		Fan board		1	1			W652171G15	<INV/S10>	
806	R61 012 281	G	M-NET board		1	1			KE80C055G03	<PS-MNET-Y>	
807	R61 020 293		Noise filter	board,coil,plate	1	1			KE80C726G03		
808	R61 026 246	G	Terminal block		1	1			S436007H02	<TB1>	
809	R61 045 259	G	Reactor		1	1			KR65C278H01	<DCL>	
810	R61 5H6 256	W	Capacitor		1	1			P412311X01	<C1>	
811	R61 015 287	W	AC Current sensor		1	1			P418087X01	<ACCT1,2>	
812	R63 A42 289	G	DC Current sensor		1	1			P419079X03	<DCCT1>	
813	R61 G35 249		IPM(Intelligent Power Module)		1	1			W848413G21	<IPM>	
814	R61 003 320		Diode stack		1	1			W876941G09	<DS>	
815	R61 008 200	W	Thermistor		1	1			P414127X01	<THHS>	
816	R63 670 234	G	Resistor		1	1			P411113X01	<R1>	
817	R61 018 239	G	Fuse	3.15A AC250V T	2	2			YE81D827H02		
818	R61 006 239	G	Fuse	6.3A AC250V T	3	3			S423001H42		

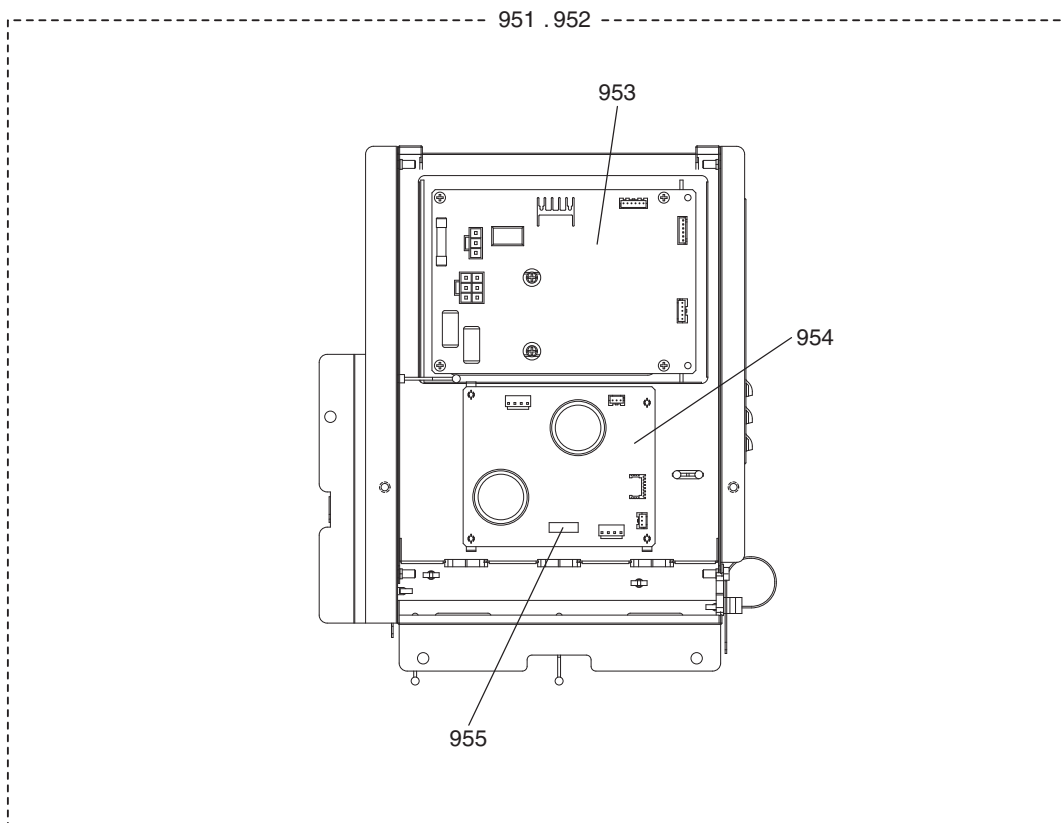


No.	Part No.	G : RoHS Apply Only W : RoHS Apply by Running Change	Spec.	PURY-P72YLMU-A	PURY-P72YLMU-A-B8	PURY-P96YLMU-A	PURY-P96YLMU-A-B8	PURY-P120YLMU-A	PURY-P120YLMU-A-B8	Dwg. No.	Notes for the models	Revision info.
		Part Name										
901	R61 652 305		R-P72YL	1						KE80G095G27		
902	R61 653 305		R-P72YL BS		1					KE80G095G28		
903	R61 654 305		R-P96YL			1				KE80G095G29		
904	R61 655 305		R-P96YL BS				1			KE80G095G30		
905	R61 656 305		R-P120YL					1		KE80G095G31		
906	R61 657 305		R-P120YL BS						1	KE80G095G32		
907	R61 658 305		R-P144YL							KE80G095G33		
908	R61 659 305		R-P144YL BS							KE80G095G34		
909	R61 660 305		R-P168YL							KE80G095G35		
910	R61 661 305		R-P168YL BS							KE80G095G36		
911	R61 354 280		Control board	1	1	1	1	1	1	KE80C836G09	<MAIN09>	
912	R61 355 280		INV board	1	1	1	1			KE80C154G26	<INV20Y>	
913	R61 351 280		INV board					1	1	KE80C154G24	<INV20Y>	
914	R61 341 280		INV board							KE80C154G25	<INV20Y>	
915	R61 304 280	G	Fan board	1	1	1	1	1	1	W652171G18	<INV/S12Y>	
916	R61 012 281	G	M-NET board	1	1	1	1	1	1	KE80C055G03	<PS-MNET-Y>	
917	R61 021 293		Noise filter	board,coil,plate	1	1	1	1	1	KE80C727G01		
918	R61 N18 246	W	Terminal block	1	1	1	1	1	1	S436005H01	<TB1>	
919	R61 017 259	G	Reactor	1	1					P715458X01	<DCL>	
920	R61 027 259	G	Reactor			1	1			P715476X02	<DCL>	
921	R61 028 259	G	Reactor					1	1	P715475X02	<DCL>	
922	R61 012 259	G	Reactor							P715441X02	<DCL>	
923	R61 003 216	G	Relay	1	1	1	1	1	1	P421295X01	<72C>	
924	R61 001 234	G	Resistor	2	2	2	2	2	2	P411151X01	<R1,R5>	
925	R12 001 360	G	Capacitor assy	1	1	1	1	1	1	P412341X01	<C100>	
926	R61 018 239	G	Fuse	3.15A AC250V T	1	1	1	1	1	YE81D827H02		
927	R61 006 239	G	Fuse	6.3A AC250V T	1	1	1	1	1	S423001H42		
928	R61 009 239	W	Fuse	6A AC600V F	2	2	2	2	2	S423005H08		

No.	Part No.	G : RoHS Apply Only W : RoHS Apply by Running Change		Spec.	PURY-P144YLMU-A	PURY-P144YLMU-A-BS	PURY-P168YLMU-A	PURY-P168YLMU-A-BS		Dwg. No.	Notes for the models	Revision info.
			Part Name									
901	R61 652 305		Control box	R-P72YL						KE80G095G27		
902	R61 653 305		Control box	R-P72YL BS						KE80G095G28		
903	R61 654 305		Control box	R-P96YL						KE80G095G29		
904	R61 655 305		Control box	R-P96YL BS						KE80G095G30		
905	R61 656 305		Control box	R-P120YL						KE80G095G31		
906	R61 657 305		Control box	R-P120YL BS						KE80G095G32		
907	R61 658 305		Control box	R-P144YL	1					KE80G095G33		
908	R61 659 305		Control box	R-P144YL BS		1				KE80G095G34		
909	R61 660 305		Control box	R-P168YL			1			KE80G095G35		
910	R61 661 305		Control box	R-P168YL BS				1		KE80G095G36		
911	R61 354 280		Control board		1	1	1	1		KE80C836G09	<MAIN09>	
912	R61 355 280		INV board							KE80C154G26	<INV20Y>	
913	R61 351 280		INV board		1	1				KE80C154G24	<INV20Y>	
914	R61 341 280		INV board				1	1		KE80C154G25	<INV20Y>	
915	R61 304 280	G	Fan board		1	1	1	1		W652171G18	<INV/S12Y>	
916	R61 012 281	G	M-NET board		1	1	1	1		KE80C055G03	<PS-MNET-Y>	
917	R61 021 293		Noise filter	board,coil,plate	1	1	1	1		KE80C727G01		
918	R61 N18 246	W	Terminal block		1	1	1	1		S436005H01	<TB1>	
919	R61 017 259	G	Reactor							P715458X01	<DCL>	
920	R61 027 259	G	Reactor							P715476X02	<DCL>	
921	R61 028 259	G	Reactor							P715475X02	<DCL>	
922	R61 012 259	G	Reactor		1	1	1	1		P715441X02	<DCL>	
923	R61 003 216	G	Relay		1	1	1	1		P421295X01	<72C>	
924	R61 001 234	G	Resistor		2	2	2	2		P411151X01	<R1,R5>	
925	R12 001 360	G	Capacitor assy		1	1	1	1		P412341X01	<C100>	
926	R61 018 239	G	Fuse	3.15A AC250V T	1	1	1	1		YE81D827H02		
927	R61 006 239	G	Fuse	6.3A AC250V T	1	1	1	1		S423001H42		
928	R61 009 239	W	Fuse	6A AC600V F	2	2	2	2		S423005H08		

PURY-P120TLMU-A(-BS)  
PURY-P144TLMU-A(-BS)  
PURY-P168TLMU-A(-BS)

## FAN BOX PARTS (1)



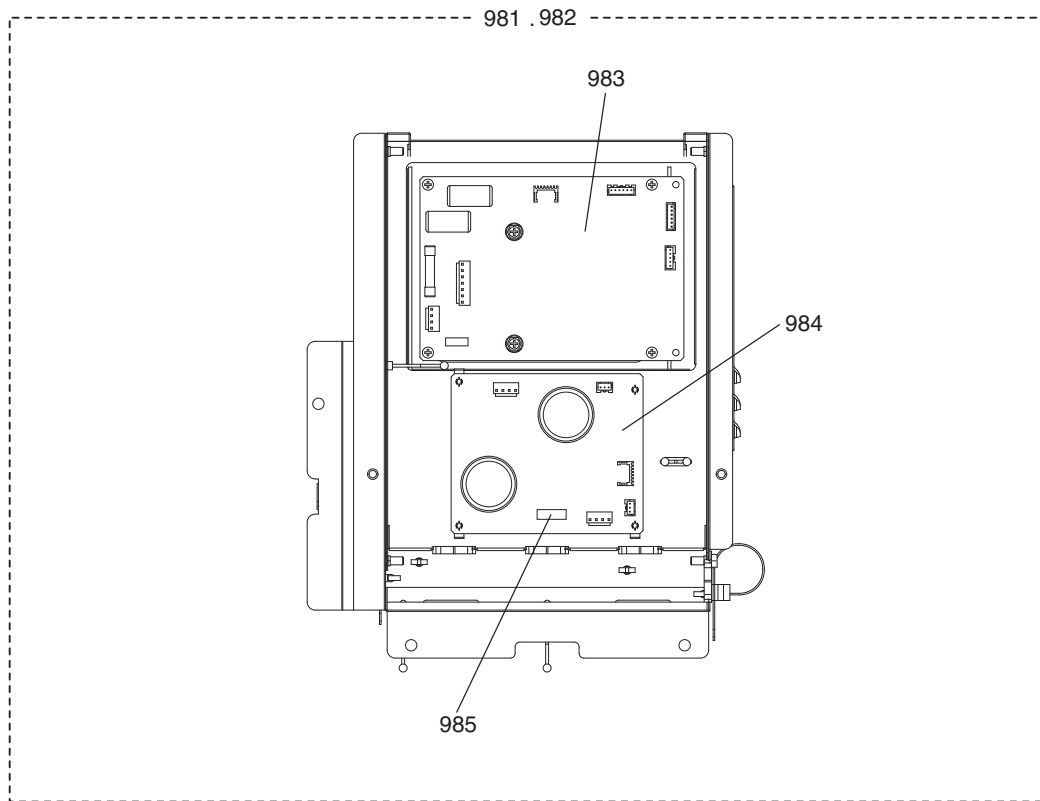
PURY-P120TLMU-A(-BS)  
PURY-P144TLMU-A(-BS)  
PURY-P168TLMU-A(-BS)

### FAN BOX PARTS (1)

No.	Part No.	G : RoHS Apply Only W: RoHS Apply by Running Change	Part Name	Spec.	PURY-P120TLMU-A	PURY-P120TLMU-A-BS	PURY-P144TLMU-A	PURY-P144TLMU-A-BS	PURY-P168TLMU-A	PURY-P168TLMU-A-BS	Dwg. No.	Notes for the models	Revision info.
951	R61 516 305		Fan box	200	1		1		1		KE80C721G09		
952	R61 517 305		Fan box	200 BS		1		1		1	KE80C721G10		
953	R61 264 280		Fan board		1	1	1	1	1	1	W652171G15	<INV/S10>	
954	R61 193 280		Connect board		1	1	1	1	1	1	KE80C725G01	<CONNECT01>	
955	R11 003 964	W	Fuse	15A AC250V T	1	1	1	1	1	1	S423001H33		

PURY-P120YLMU-A(-BS)  
PURY-P144YLMU-A(-BS)  
PURY-P168YLMU-A(-BS)

## FAN BOX PARTS (2)



PURY-P120YLMU-A(-BS)  
PURY-P144YLMU-A(-BS)  
PURY-P168YLMU-A(-BS)

FAN BOX PARTS (2)

No.	Part No.	G : RoHS Apply Only W : RoHS Apply by Running Change		Spec.	PURY-P120YLMU-A	PURY-P120YLMU-A-BS	PURY-P144YLMU-A	PURY-P144YLMU-A-BS	PURY-P168YLMU-A	PURY-P168YLMU-A-BS	Dwg. No.	Notes for the models	Revision info.
		Part Name											
981	R61 580 305	G	Fan box	400	1		1				KE80C721G11		
982	R61 581 305	G	Fan box	400 BS		1	1			1	KE80C721G12		
983	R61 304 280	G	Fan board		1	1	1	1	1	1	W652171G18	<INV/S12Y>	
984	R63 194 280	G	Connect board		1	1	1	1	1	1	KE80C725G02	<CONNECT01>	
985	R12 001 964	G	Fuse	4A DC700V T	1	1	1	1	1	1	S423001H40		



**mitsubishi**  
**electric**  
**corporation**

---

BWE015050 (20150331)