

PARTS CATALOG R410A

[Model Name]

[Service Ref.]

PUZ-HA24NHA1

PUZ-HA24NHA1

PUZ-HA30NKA

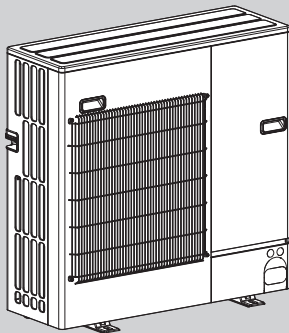
PUZ-HA30NKA

PUZ-HA36NKA

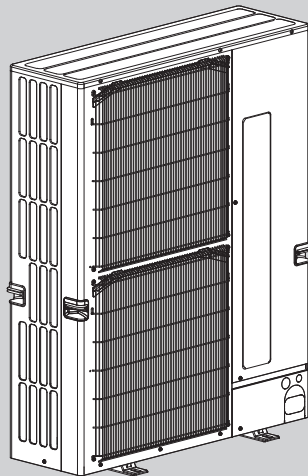
PUZ-HA36NKA

PUZ-HA42NKA1

PUZ-HA42NKA1



PUZ-HA24NHA1



**PUZ-HA30NKA
PUZ-HA36NKA
PUZ-HA42NKA1**

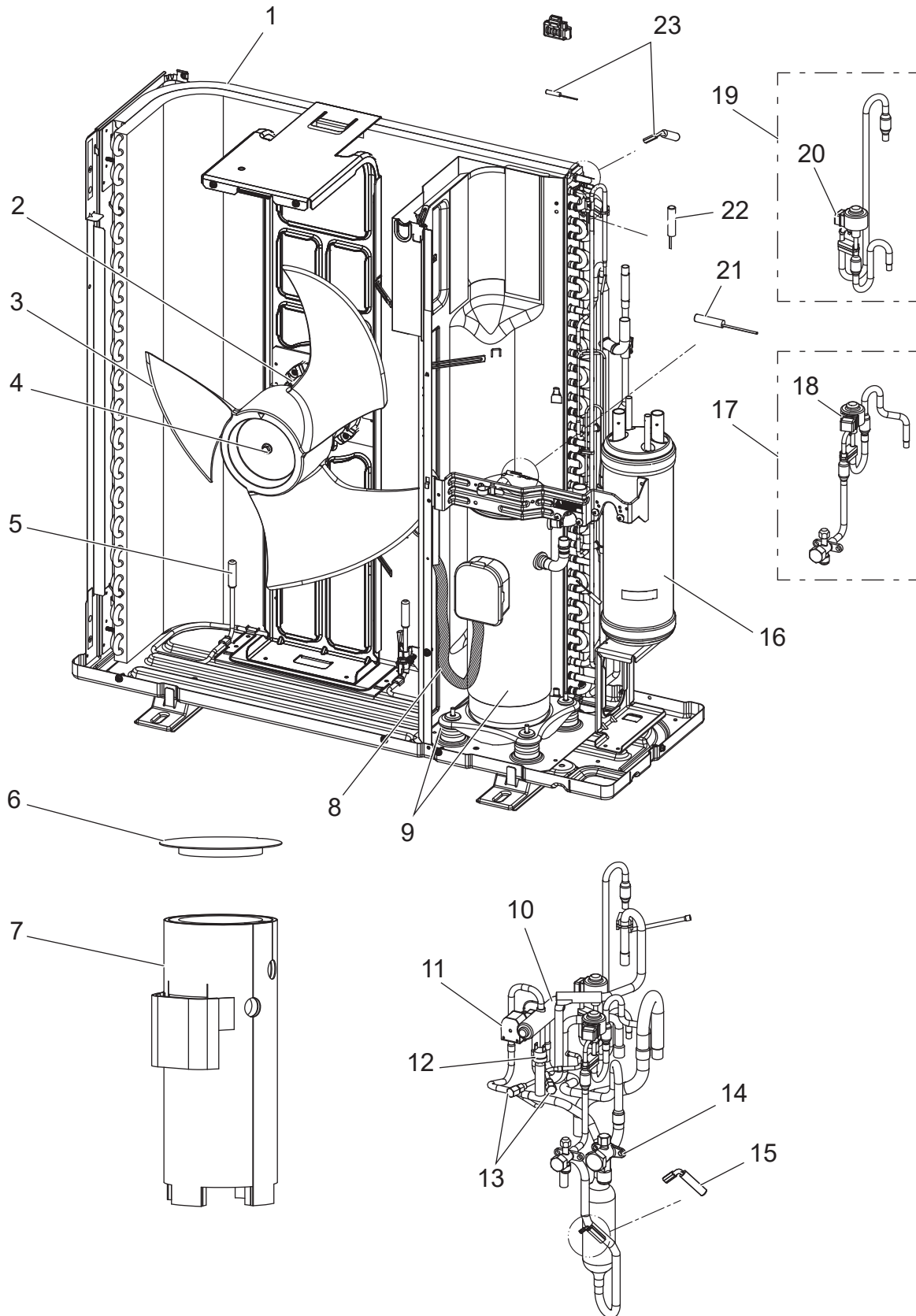
CONTENTS

1. SERVICE PARTS LIST 2

SERVICE MANUAL (OCH750)

FUNCTIONAL PARTS

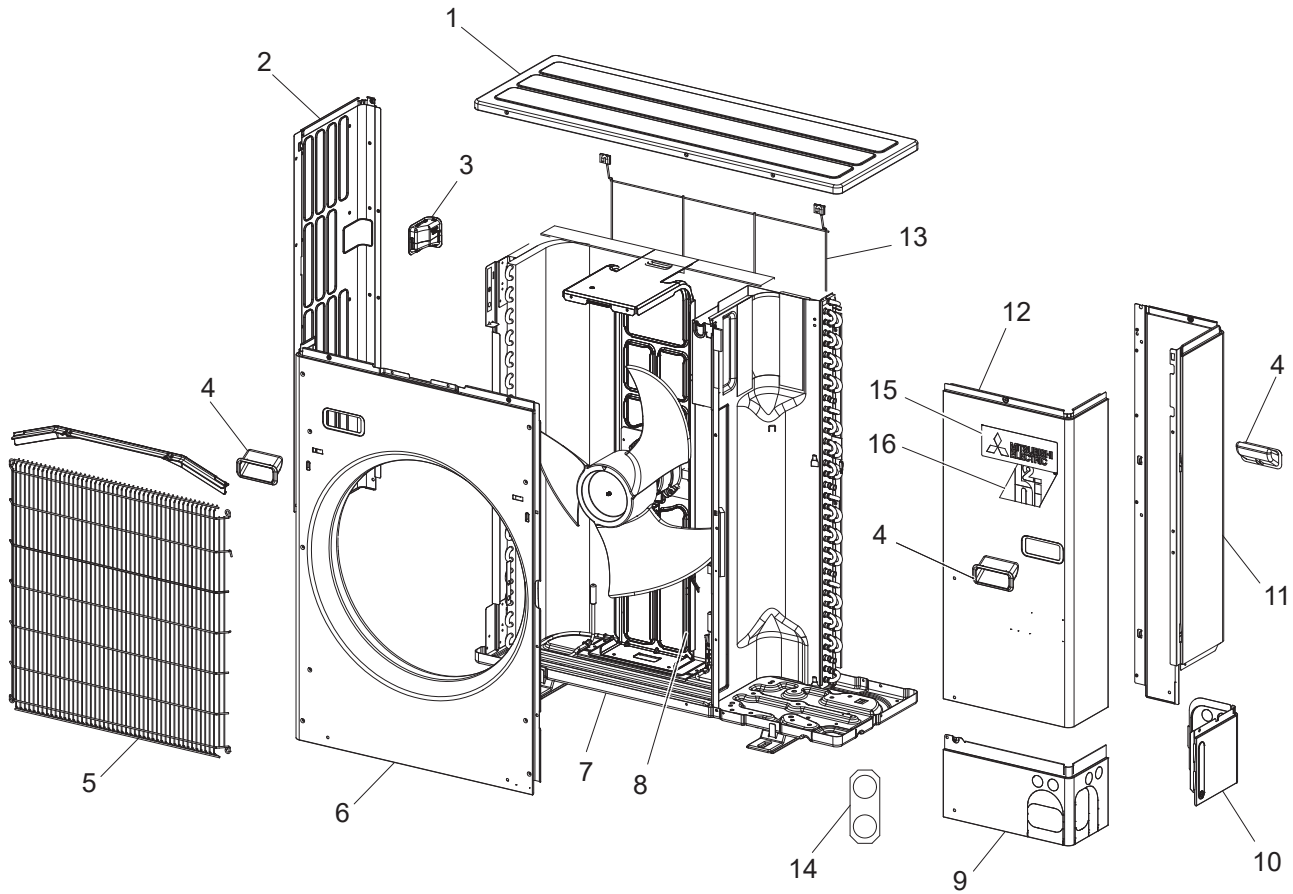
PUZ-HA24NHA1



1. The part quantity below indicates the required number of pieces per unit.
2. The circled No. indicates that the part is not shown in the figure.

No.	Parts No.	Parts Name	PUZ-HA24NHA1	Wiring Diagram Symbol	Remarks
1	T 7 W E 8 4 4 0 8	HEAT EXCHANGER	1		
2	T 7 W A 1 7 2 2 1	FAN MOTOR	1	MF1	
3	R 0 1 E 0 6 1 1 5	PROPELLER FAN	1		
4	R 0 1 E 1 6 0 9 7	CAP NUT (MEC) M6	1		
5	T 7 W B 0 4 3 0 0	BASE HEATER	1	BH, THP	
6	R 0 1 T 0 4 6 0 2	COMP FELT-DVB/TOP	1		
7	T 7 W B 0 2 6 0 2	COMP FELT-DNB/BODY	1		
8	T 7 W C 0 3 5 1 0	LEAD ASSY COMP	1		
9	T 9 7 4 2 1 4 2 7	COMPRESSOR	1	MC	DNB28FBAMT Includes RUBBER MOUNT
10	T 7 W E 0 7 4 0 3	4WAY VALVE	1	21S4	
11	T 7 W E 9 2 2 4 2	SOLENOID COIL (21S4)	1	21S4	Includes SCREW
12	T 7 W E 1 5 2 0 8	H.P SWITCH UL4.14MPA	1	63H	
13	R 0 1 E 1 2 4 1 3	CHARGE PLUG/LB90	2		
14	T 7 W E 0 9 4 1 0	STOP VALVE 5/8F	1	5/8	Includes STRAINER
15	R 0 1 E 3 5 2 0 1	THERMISTOR (DIS)	1	TH4	
16	R 0 1 E 6 5 4 4 0	POWER RECEIVER	1		
17	T 7 W B 0 5 4 0 1	LEV ASSY-B/REC-V	1	LEV-B	
18	R 0 1 H 3 2 2 4 2	COIL(LEV)/XAP-5P RED	1	LEV-B	
19	T 7 W A 0 5 4 0 1	LEV ASSY-A/C-REC	1	LEV-A	
20	R 0 1 H 1 8 2 4 2	COIL(LEV)/XAP-5P WH	1	LEV-A	
21	R 0 1 E 4 5 2 0 1	THERMISTOR (SHELL)	1	TH33	
22	R 0 1 H 8 7 2 0 2	THERMISTOR	1	TH3	
23	R 0 1 M 1 8 2 0 2	THERMISTOR W	1	TH6/7	

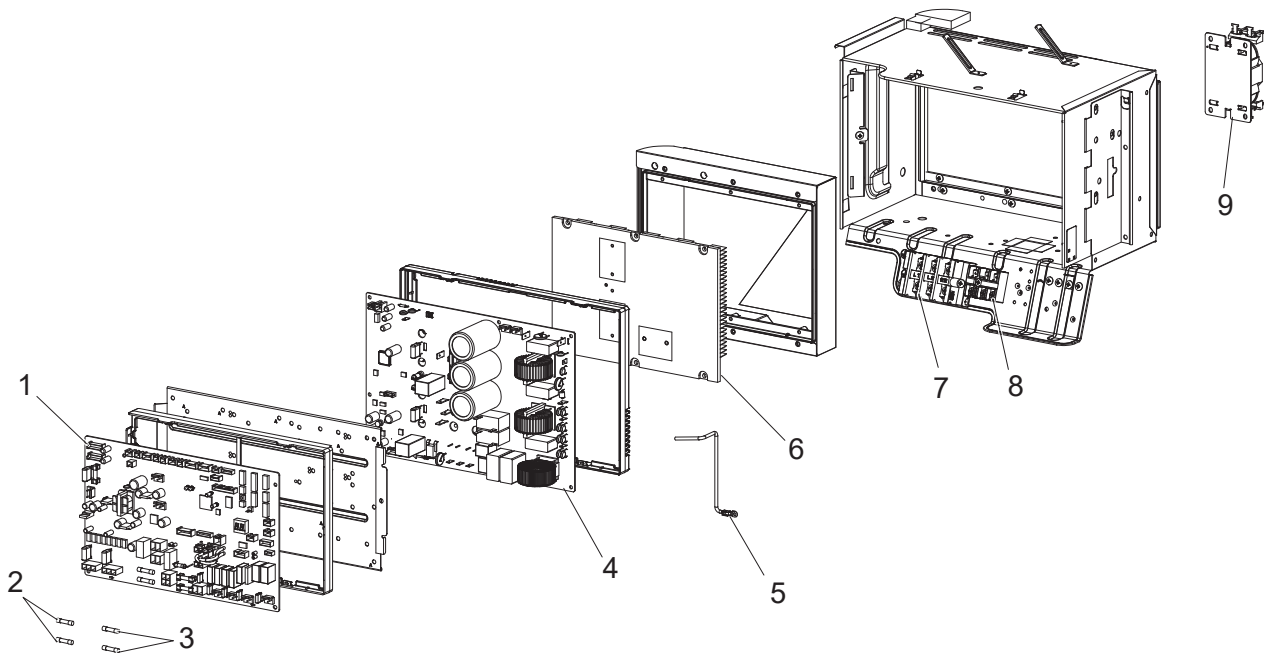
STRUCTURAL PARTS



1. The part quantity below indicates the required number of pieces per unit.
2. The circled No. indicates that the part is not shown in the figure.

No.	Parts No.	Parts Name	PUZ-HA24NHA1	Wiring Diagram Symbol	Remarks
1	T 7 W E 1 6 6 4 1	TOP PANEL	1		
2	T 7 W E 1 2 6 6 2	SIDE PANEL (L)	1		
3	R 0 1 E 0 6 6 5 5	HANDLE (REAR)	1		
4	R 0 1 E 0 1 6 5 5	HANDLE	3		
5	R 0 1 E 7 4 6 9 1	WIRE GRILLE	1		
6	R 0 1 E 2 2 6 6 8	FRONT PANEL	1		
7	T 7 W E 2 8 6 8 6	BASE ASSY	1		
8	T 7 W E 2 1 1 3 0	MOTOR SUPPORT	1		
9	R 0 1 E 4 0 6 5 8	COVER PANEL (FRONT)	1		
10	R 0 1 E 2 4 6 5 8	COVER PANEL (REAR)	1		
11	T 7 W E 4 1 6 6 1	SIDE PANEL (R)	1		
12	T 7 W E 1 0 6 6 7	SERVICE PANEL	1		
13	T 7 W E 0 7 6 9 8	REAR GUARD	1		
14	T 7 W E 0 1 6 1 7	CONDUIT PLATE	1		
15	R 0 1 A 1 3 0 0 5	BRAND LABEL	1		
16	T 7 W A 1 0 0 0 5	LABEL (H2I)	1		

ELECTRICAL PARTS

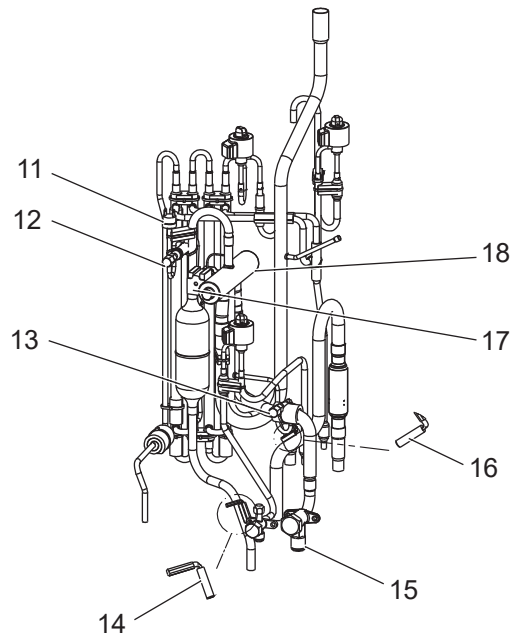
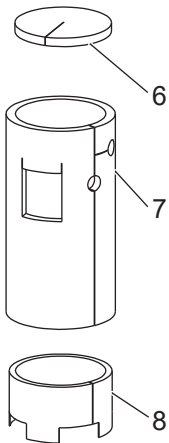
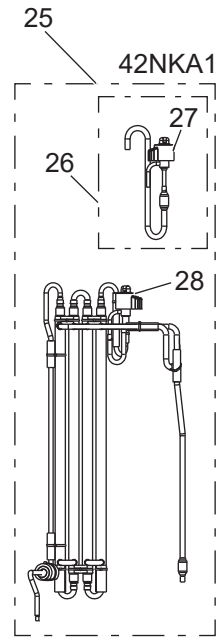
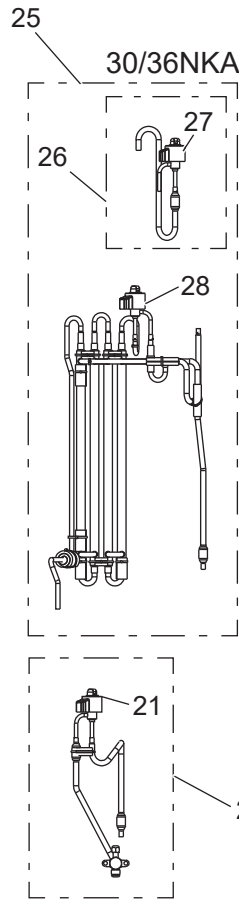
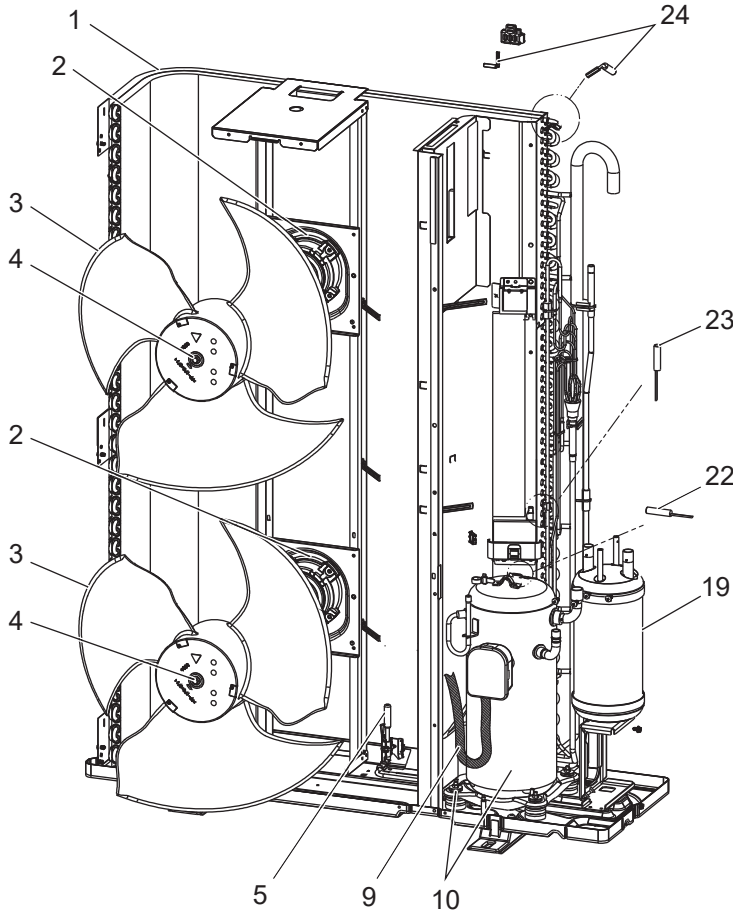


1. The part quantity below indicates the required number of pieces per unit.
2. The circled No. indicates that the part is not shown in the figure.

No.	Parts No.	Parts Name	PUZ-HA24NHA1	Wiring Diagram Symbol	Remarks
1	T 7 W S 2 2 3 1 5	CONTROLLER BOARD	1	C.B.	
2	R 0 1 E 2 1 2 3 9	FUSE 10A 250V	2	F1,F2	
3	R 0 1 E 1 4 2 3 9	FUSE 6.3A 250V	2	F3,F4	
4	T 7 W S 1 1 3 2 3	POWER BOARD	1	P.B.	
5	R 0 1 M 1 3 2 0 2	THERMISTOR (HS)	1	TH8	
6	T 7 W A 0 4 3 7 1	HEAT SINK	1		Includes SCREWS
7	T 7 W 6 0 2 2 4 6	T.B./L1.L2.GR	1	TB1 (L1/L2/GR)	
8	R 0 1 E 1 9 2 4 6	T.B./S1.S2.S3	1	TB2 (S1/S2/S3)	
9	T 7 W E 2 7 2 5 9	REACTOR	1	DCL	

FUNCTIONAL PARTS

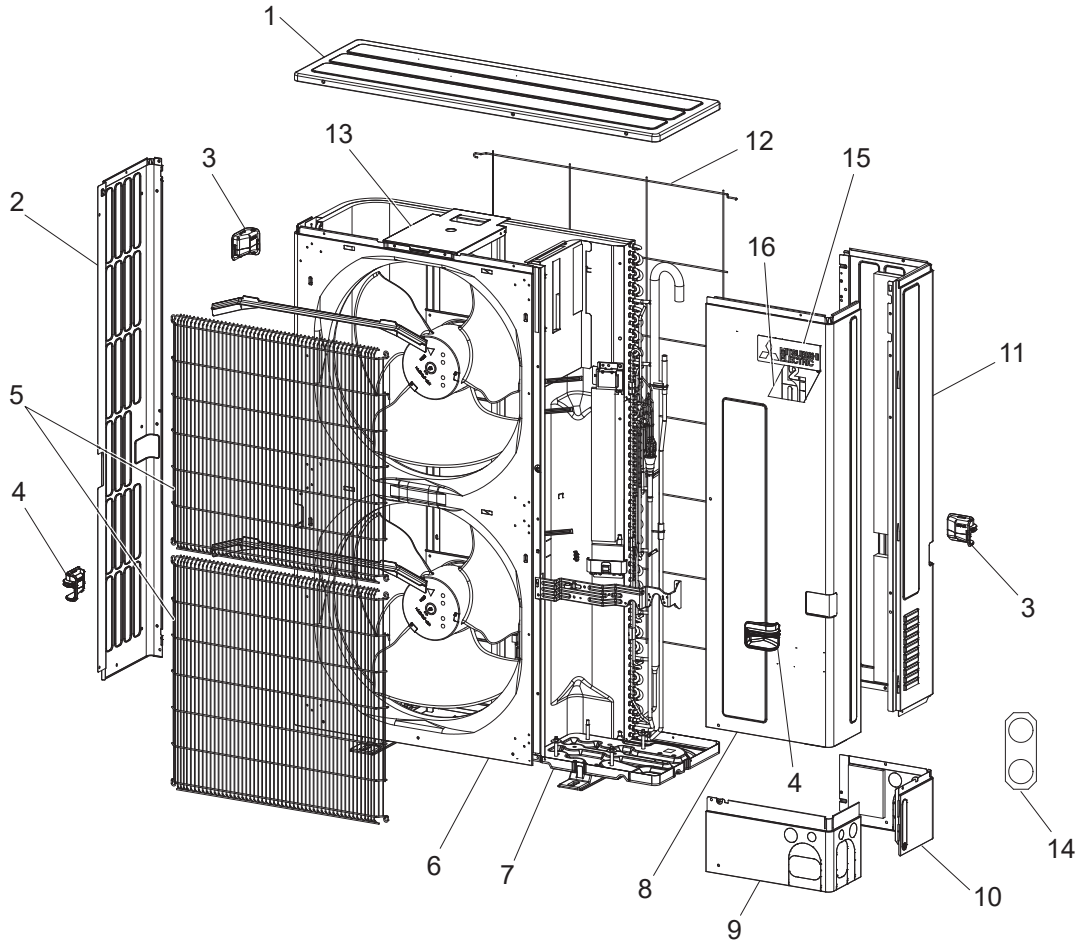
PUZ-HA30NKA
 PUZ-HA36NKA
 PUZ-HA42NKA1



1. The part quantity below indicates the required number of pieces per unit.
2. The circled No. indicates that the part is not shown in the figure.

No.	Parts No.	Parts Name	PUZ-HA30NKA	PUZ-HA36NKA	PUZ-HA42NKA1	Wiring Diagram Symbol	Remarks
1	R 0 1 H 5 7 4 0 8	HEAT EXCHANGER	1	1			
1	T 7 W F 0 0 4 0 8	HEAT EXCHANGER			1		
2	T 7 W A 1 0 2 2 1	FAN MOTOR	2	2	2	MF1, 2	
3	R 0 1 E 1 6 1 1 5	PROPELLER FAN/D550	2	2	2		
4	R 0 1 E 1 6 0 9 7	CAP NUT (MEC) M6	2	2	2		
5	T 7 W B 0 5 3 0 0	BASE HEATER	1	1	1	BH, THP	
6	R 0 1 A 5 7 6 0 2	COMP FELT (TOP)	1	1	1		
7	T 7 W B 0 3 6 0 2	COMP FELT-B/ANB33FJ	1	1	1		
8	R 0 1 U 0 0 6 0 2	COMP FELT-U/ANB	1	1	1		
9	T 7 W C 0 4 5 1 0	LEAD ASSY COMP	1	1			
9	T 7 W C 0 5 5 1 0	LEAD ASSY COMP			1		
10	T 9 7 4 2 2 0 7 7	COMPRESSOR	1	1		MC	ANB33FJMMT Includes RUBBER MOUNT
10	T 9 7 4 4 2 0 7 7	COMPRESSOR			1	MC	ANB42FJTMT Includes RUBBER MOUNT
11	T 7 W E 1 5 2 0 8	H.P SWITCH UL4.14MPA	1	1	1	63H	
12	R 0 1 E 1 3 4 1 3	CHARGE PLUG/ST	1	1	1		
13	R 0 1 E 1 2 4 1 3	CHARGE PLUG/LB90	1	1	1		
14	R 0 1 E 3 5 2 0 1	THERMISTOR (DIS)	1	1	1	TH4	
15	T 7 W E 0 9 4 1 0	STOP VALVE 5/8F	1	1	1		Includes STRAINER
16	R 0 1 M 2 8 2 0 2	THERMISTOR	1	1	1	TH32	
17	T 7 W E 6 9 2 4 2	SOLENOID COIL (21S4)	1	1	1	21S4	Includes SCREW
18	R 0 1 E 4 0 4 0 3	4WAY VALVE	1	1	1	21S4	
19	R 0 1 E 6 0 4 4 0	POWER RECEIVER	1	1	1		
20	T 7 W B 1 1 4 0 1	LEV ASSY-B/REC-V	1	1		LEV-B	
20	T 7 W B 1 2 4 0 1	LEV ASSY-B/REC-V			1	LEV-B	
21	R 0 1 H R 3 2 4 2	COIL(LEV)/XAP-5P RED	1	1	1	LEV-B	
22	R 0 1 E 3 9 2 0 1	THERMISTOR (SHELL)	1	1	1	TH33	
23	R 0 1 E 6 7 2 0 2	THERMISTOR	1	1	1	TH3	
24	R 0 1 M 1 8 2 0 2	THERMISTOR W	1	1		TH6/7	
24	R 0 1 E 9 4 2 0 2	THERMISTOR W			1	TH6/7	
25	T 7 W C 0 0 4 0 1	HIC&LEV ASSY	1	1		LEV-A/C	
25	T 7 W E 5 0 4 0 1	LEV ASSY HIC			1	LEV-A/C	
26	T 7 W A 1 1 4 0 1	LEV ASSY-A/C-HIC	1	1		LEV-A	
26	T 7 W A 1 2 4 0 1	LEV ASSY-A/C-HIC			1	LEV-A	
27	R 0 1 H R 6 2 4 2	COIL(LEV)/XAP-5P WH	1	1	1	LEV-A	
28	R 0 1 H R 4 2 4 2	COIL(LEV)/XAP-5P BLU	1	1	1	LEV-C	

STRUCTURAL PARTS

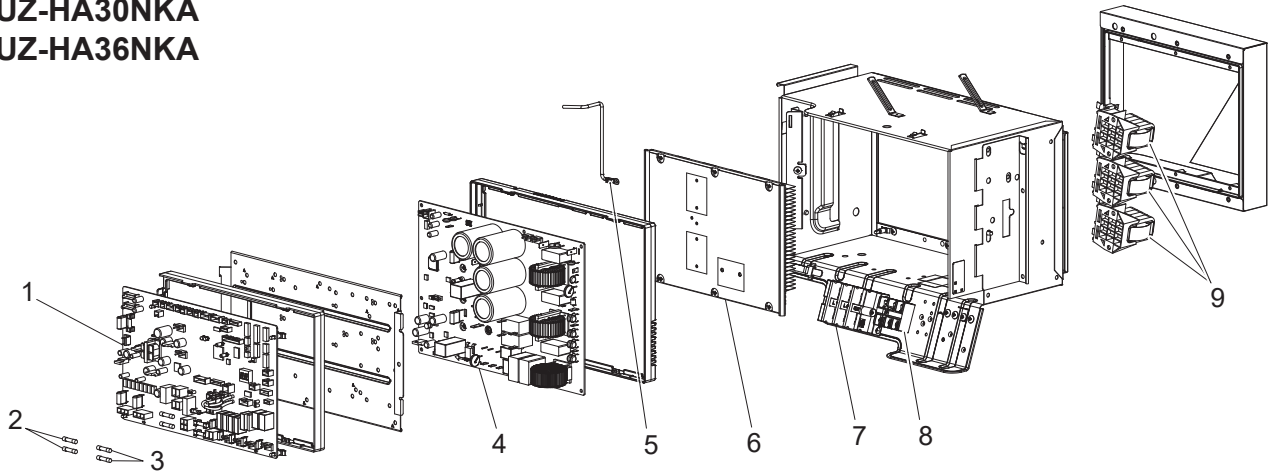


1. The part quantity below indicates the required number of pieces per unit.
2. The circled No. indicates that the part is not shown in the figure.

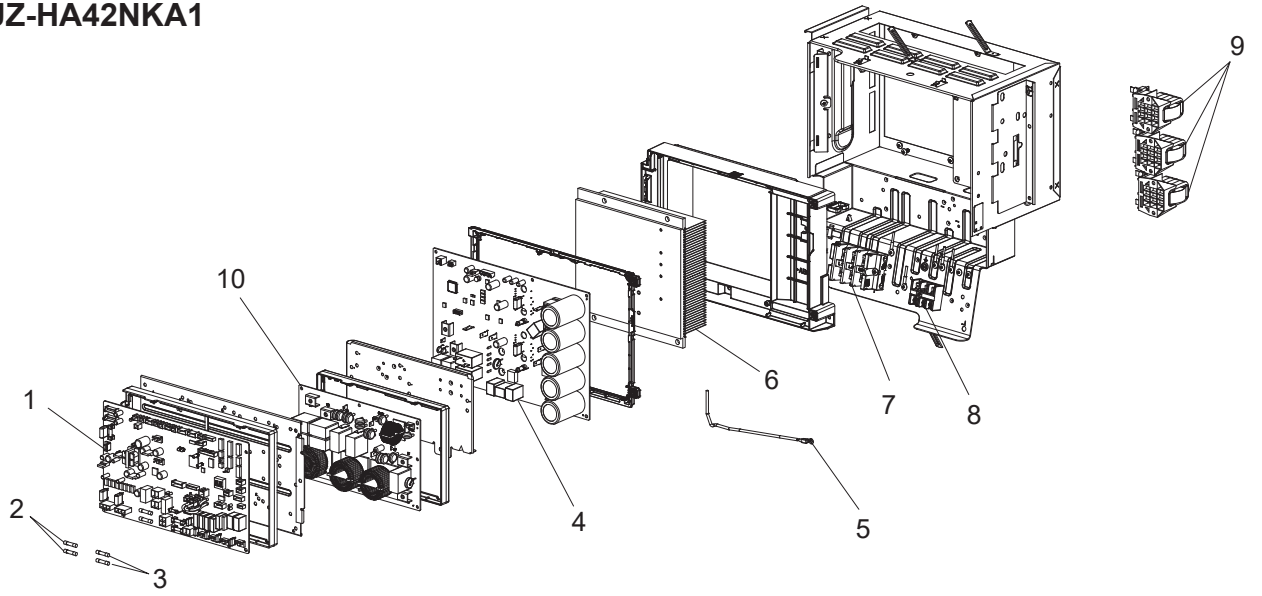
No.	Parts No.	Parts Name	PUZ-HA30NKA	PUZ-HA36NKA	PUZ-HA42NKA1	Wiring Diagram Symbol	Remarks
1	R 0 1 E 3 6 6 4 1	TOP PANEL	1	1	1		
2	R 0 1 E 3 0 6 6 2	SIDE PANEL (L)	1	1	1		
3	R 0 1 E 0 6 6 5 5	HANDLE (REAR)	2	2	2		
4	R 0 1 E 0 5 6 5 5	HANDLE (FRONT)	2	2	2		
5	R 0 1 E 7 3 6 9 1	WIRE GRILLE	2	2	2		
6	R 0 1 E 2 3 6 6 8	FRONT PANEL	1	1	1		
7	R 0 1 E 5 3 6 8 6	BASE ASSY	1	1	1		
8	T 7 W E 1 9 6 6 8	SERVICE PANEL	1	1	1		
9	R 0 1 E 3 5 6 5 8	COVER PANEL (FRONT)	1	1	1		
10	R 0 1 E 4 9 6 5 8	COVER PANEL (REAR)	1	1	1		
11	T 7 W E 3 0 6 6 1	SIDE PANEL (R)	1	1	1		
12	R 0 1 E 1 0 6 9 8	REAR GUARD	1	1	1		
13	R 0 1 E 5 9 1 3 0	MOTOR SUPPORT	1	1			
13	R 0 1 E 6 0 1 3 0	MOTOR SUPPORT			1		
14	T 7 W E 0 4 6 1 7	CONDUIT PLATE	1	1	1		
15	R 0 1 A 1 3 0 0 5	BRAND LABEL	1	1	1		
16	T 7 W A 1 0 0 0 5	LABEL (H2I)	1	1	1		

ELECTRICAL PARTS

**PUZ-HA30NKA
PUZ-HA36NKA**



PUZ-HA42NKA1



1. The part quantity below indicates the required number of pieces per unit.
2. The circled No. indicates that the part is not shown in the figure.

No.	Parts No.	Parts Name	PUZ-HA30NKA	PUZ-HA36NKA	PUZ-HA42NKA1	Wiring Diagram Symbol	Remarks
1	T 7 W S 2 3 3 1 5	CONTROLLER BOARD	1	1	1	C.B.	
2	R 0 1 E 2 1 2 3 9	FUSE 10A 250V	2	2	2	F1, F2	
3	R 0 1 E 1 4 2 3 9	FUSE 6.3A 250V	2	2	2	F3, F4	
4	T 7 W S 1 2 3 2 3	POWER BOARD	1	1		P.B.	
4	T 7 W S 1 3 3 2 3	POWER BOARD			1	P.B.	
5	R 0 1 M 1 3 2 0 2	THERMISTOR (HS)	1	1		TH8	
5	T 7 W E 8 1 2 0 2	THERMISTOR (HS)			1	TH8	
6	T 7 W A 0 4 3 7 1	HEAT SINK	1	1			Includes SCREWS
6	R 0 1 A 2 3 3 7 1	HEAT SINK			1		Includes SCREWS
7	T 7 W 6 0 2 2 4 6	T.B./L1.L2.GR	1	1	1	TB1 (L1/L2/GR)	
8	R 0 1 E 1 9 2 4 6	T.B./S1.S2.S3	1	1	1	TB2 (S1/S2/S3)	
9	R 0 1 E 5 6 2 5 9	REACTOR	3	3	3	DCL	
10	T 7 W E 4 0 3 4 6	NOISE FILTER			1	N.F	

mitsubishi electric corporation

HEAD OFFICE: TOKYO BUILDING, 2-7-3, MARUNOUCHI, CHIYODA-KU, TOKYO 100-8310, JAPAN
