

Outdoor unit

March 2009

PARTS CATALOG

**No.OCB426
REVISED EDITION-B**
R410A

Outdoor unit

[model name]

PUZ-HA30NHA

PUZ-HA36NHA

PUZ-HA30NHA2

PUZ-HA36NHA2

[Service Ref.]
PUZ-HA30NHA
PUZ-HA36NHA
PUZ-HA30NHA2
PUZ-HA36NHA2

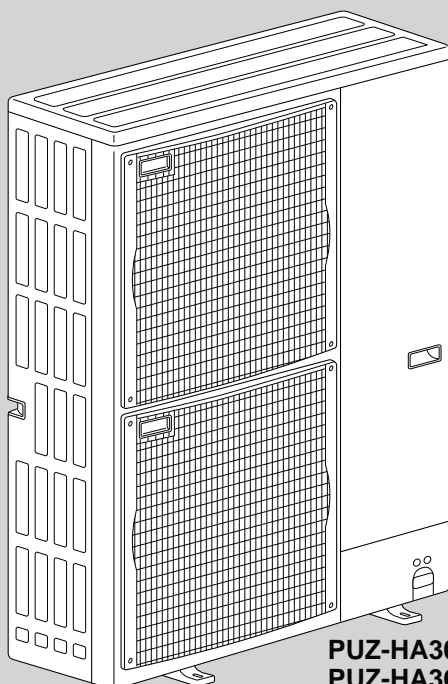
Revision:

- PUZ-HA30/36NHA2 are added in REVISED EDITION-B.
- Some descriptions have been modified.

- Please void OCB426 REVISED EDITION-A.

NOTE:

- This manual describes only service data of the outdoor units.
- RoHS compliant products have <G> mark on the spec name plate.


 PUZ-HA30NHA
 PUZ-HA36NHA
 PUZ-HA30NHA2
 PUZ-HA36NHA2

CONTENTS

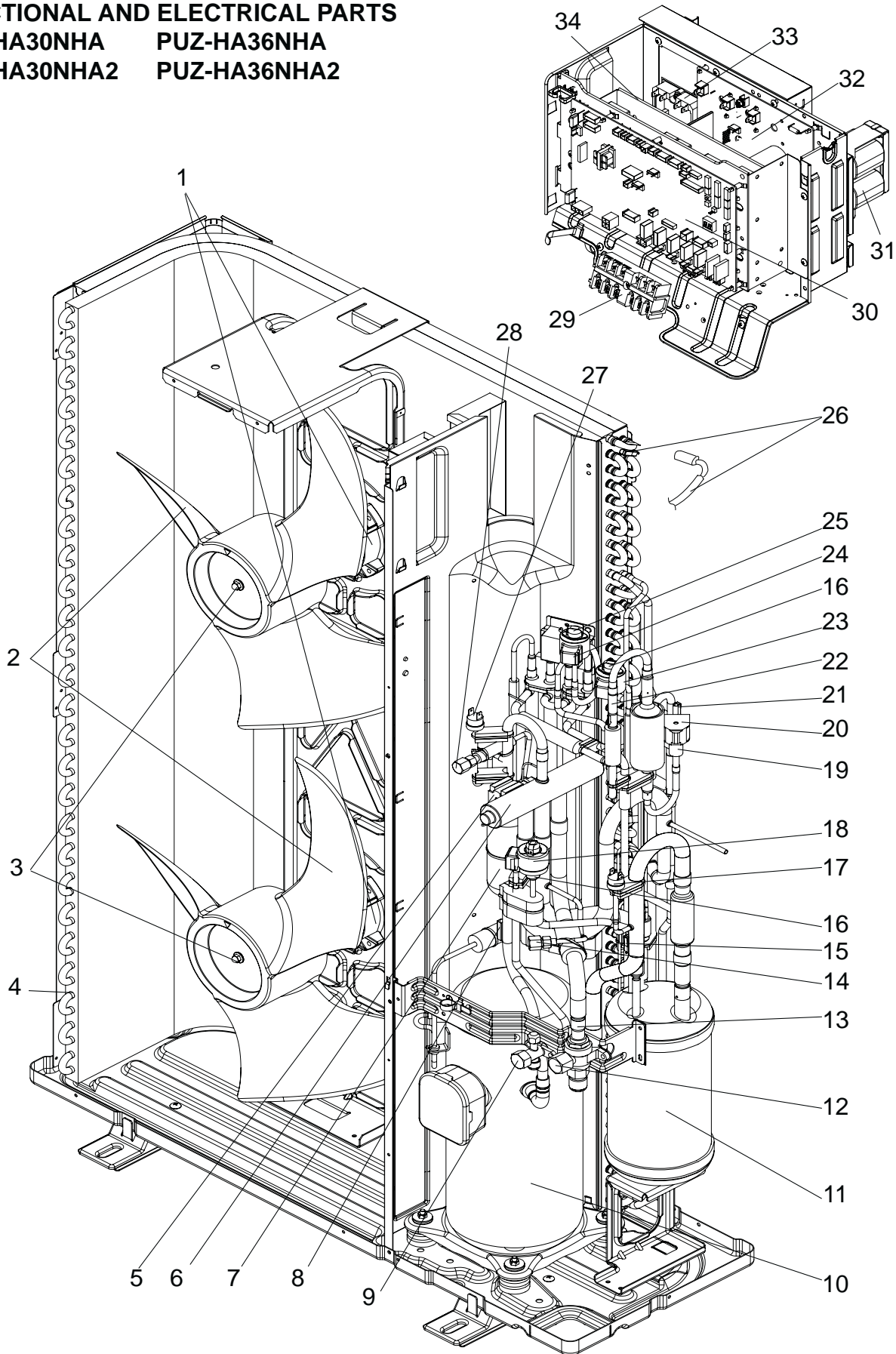
1. RoHS PARTS LIST.....2

SERVICE MANUAL (OCH426)

Mr. SLIM™

FUNCTIONAL AND ELECTRICAL PARTS

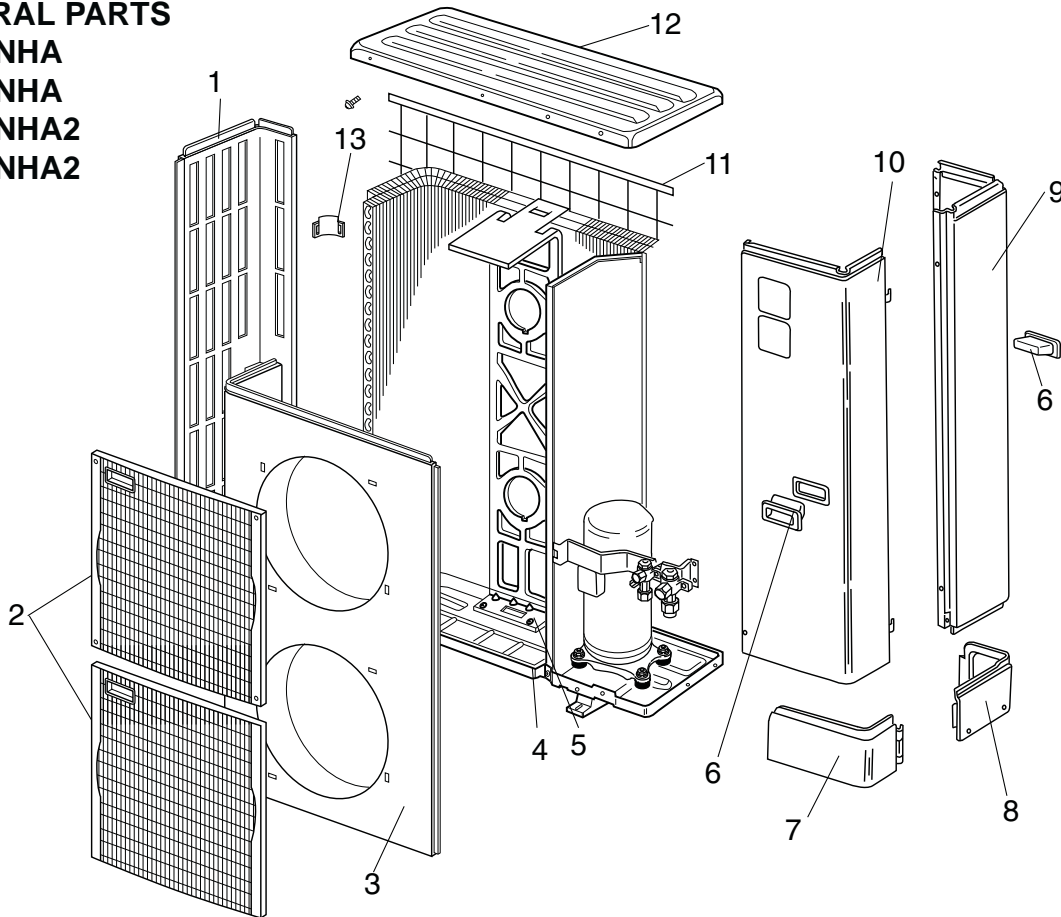
PUZ-HA30NHA PUZ-HA36NHA
PUZ-HA30NHA2 PUZ-HA36NHA2



Part numbers that are circled are not shown in the figure.

No.	ROHS	Part No.	Part Name	Specification	Q'ty/set			Remarks (Drawing No.)	Wiring Diagram Symbol	Recom- mended Q'ty
					PUZ-HA					
					30NHA	36NHA	30/36NHA2			
1	G	T7W E27 763	FAN MOTOR	EHDS81B86MS1	2	2	2		MF1, 2	
2	G	R01 E08 115	PROPELLER FAN		2	2	2			
3	G	R01 E09 097	NUT		2	2	2			
4	G	R01 H01 408	HEAT EXCHANGER		1	1	1			
5	G	T7W E42 242	SOLENOID COIL <4-WAY VALVE>		1	1	1		21S4	
6	G	T7W E05 403	4-WAY VALVE		1	1	1			
7	G	T7W E05 467	MUFFLER		1	1	1			
8	G	R01 E14 201	THERMISTOR (DISCHARGE)		1	1	1		TH4	
9	G	T7W E04 410	STOP VALVE	3/8	1	1	1			
10	G	T97 415 758	COMPRESSOR	ANB33FJCMT		1		Including RUBBER MOUNTS	MC	
	G	T97 415 767	COMPRESSOR	ANB33FJEMT	1		1		MC	
11	G	R01 E43 440	POWER RECEIVER		1	1	1			
12	G	R01 E12 410	BALL VALVE	5/8	1	1	1			
13	G	R01 32L 450	STRAINER		1	1	1			
14	G	R01 E13 413	CHARGE PLUG		1	1	1			
15	G	R01 H32 202	THERMISTOR (OUTDOOR PIPE)		1	1	1		TH32	
16	G	R01 H20 401	LINER EXPANSION VALVE		2	2	2			
17	G	R01 E00 209	LOW PRESSURE SWITCH		1	1	1		63L	
18	G	R01 E49 242	LINER EXPANSION VALVE COIL		1	1	1	Connector: Red	LEV-B	
19	G	R01 E13 428	BYPASS VALVE		1	1	1			
20	G	T7W E36 242	SOLENOID COIL <BYPASS VALVE>		1	1	1		SV	
21	G	T7W E52 202	THERMISTOR (OUTDOOR PIPE)		1	1	1		TH33	
22	G	R01 E03 418	RESTRICTOR VALVE		1	1	1			
23	G	R01 E50 242	LINER EXPANSION VALVE COIL		1	1	1	Connector: White	LEV-A	
24	G	R01 E68 242	LINER EXPANSION VALVE COIL		1	1	1	Connector: Blue	LEV-C	
25	G	R01 H22 401	LINER EXPANSION VALVE		1	1	1			
26	G	R01 E94 202	THERMISTOR (OUTDOOR 2-PHASE PIPE, OUTDOOR)		1	1	1		TH6, 7	
27	G	T7W E07 208	HIGH PRESSURE SWITCH		1	1	1		63H	
28	G	R01 E12 413	CHARGE PLUG		1	1	1			
29	G	T7W E40 716	TERMINAL BLOCK	6P(L1,L2,GR,S1,S2,S3)	1	1	1		TB1	
30	G	T7W E58 315	CONTROLLER CIRCUIT BOARD			1			C.B.	
	G	T7W E78 315	CONTROLLER CIRCUIT BOARD		1				C.B.	
	G	T7W E87 315	CONTROLLER CIRCUIT BOARD				1		C.B.	
31	G	R01 E20 259	REACTOR			1			DCL	
	G	T7W E17 259	REACTOR		1		1		DCL	
32	G	R01 E65 313	POWER CIRCUIT BOARD		1	1	1		P.B.	
33	G	R01 E07 233	ACTIVE FILTER MODULE		1	1	1		ACTM	
34	G	R01 E18 346	NOISE FILTER CIRCUIT BOARD		1	1	1		N.F.	
35	G	R01 E99 202	THERMISTOR (HEAT SINK)		1	1	1		TH8	
36	G	R01 E06 239	FUSE	250V 6.3V	4	4	4		F1,2,3,4	
37	G	R01 H00 202	THERMISTOR (OUTDOOR PIPE)		1	1	1		TH3	
38	G	R01 E22 255	MAIN SMOOTHING CAPACITOR		1	1	1		CB	

STRUCTURAL PARTS
PUZ-HA30NHA
PUZ-HA36NHA
PUZ-HA30NHA2
PUZ-HA36NHA2



Part number that is circled is not shown in the figure.

No.	RoHS	Part No.	Part Name	Specification	Q'ty/set		Remarks (Drawing No.)	Wiring Diagram Symbol	Recom- mended Q'ty
					PUZ-HA				
					30/36NHA	30/36NHA2			
1	G	R01 E20 662	SIDE PANEL (L)		1	1			
2	G	T7W E03 691	FAN GRILLE		2	2			
3	G	T7W E06 667	FRONT PANEL		1	1			
4	G	R01 E31 686	BASE ASSY		1	1			
5	G	R01 E27 130	MOTOR SUPPORT		1	1			
6	G	R01 E01 655	HANDLE		2	2			
7	G	R01 E23 658	COVER PANEL (FRONT)		1	1			
8	G	R01 E22 658	COVER PANEL (REAR)		1	1			
9	G	R01 E37 661	SIDE PANEL (R)		1	1			
10	G	T7W E08 667	SERVICE PANEL		1				
	G	T7W E14 667	SERVICE PANEL			1			
11	G	R01 E07 698	REAR GUARD		1	1			
12	G	R01 E14 641	TOP PANEL		1	1			
13	G	R01 E02 655	HANDLE		1	1			
⑭	G	T7W E01 617	CONDUIT PLATE		1	1			

MITSUBISHI ELECTRIC CORPORATION

HEAD OFFICE : TOKYO BLDG., 2-7-3, MARUNOUCHI, CHIYODA-KU, TOKYO 100-8310, JAPAN