

# Outdoor unit

July 2011

# PARTS CATALOG

No.OCB504

## R410A

Outdoor unit

[model name]

PUZ-HA30NHA4

PUZ-HA36NHA4

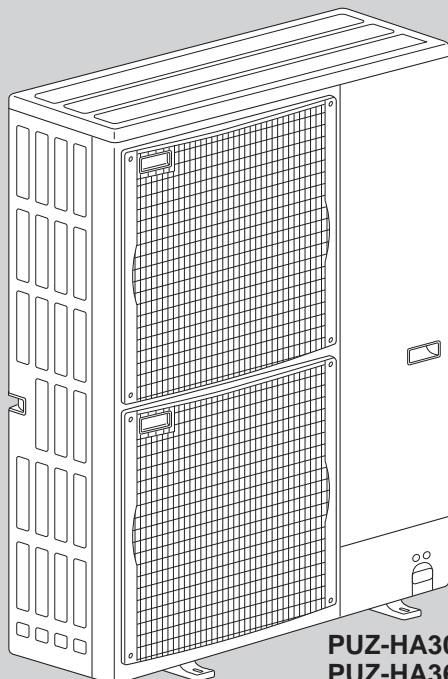
[Service Ref.]

**PUZ-HA30NHA4**

**PUZ-HA36NHA4**

**NOTE:**

- This manual describes only service data of the outdoor units.
- RoHS compliant products have <G> mark on the spec name plate.



PUZ-HA30NHA4  
PUZ-HA36NHA4

## CONTENTS

1. RoHS PARTS LIST.....2

**SERVICE MANUAL (OCH504)**

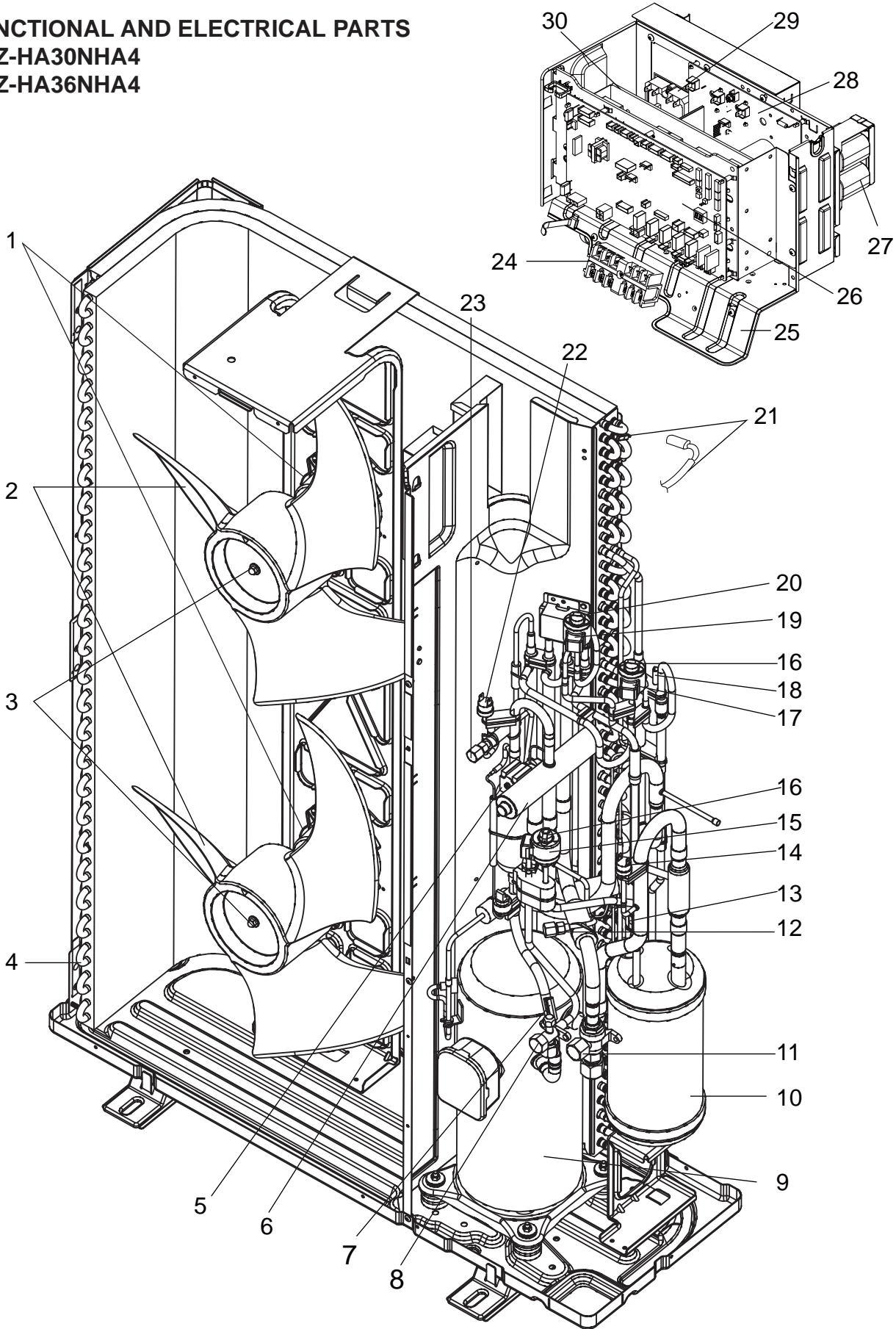


**Mr. SLIM™**

FUNCTIONAL AND ELECTRICAL PARTS

PUZ-HA30NHA4

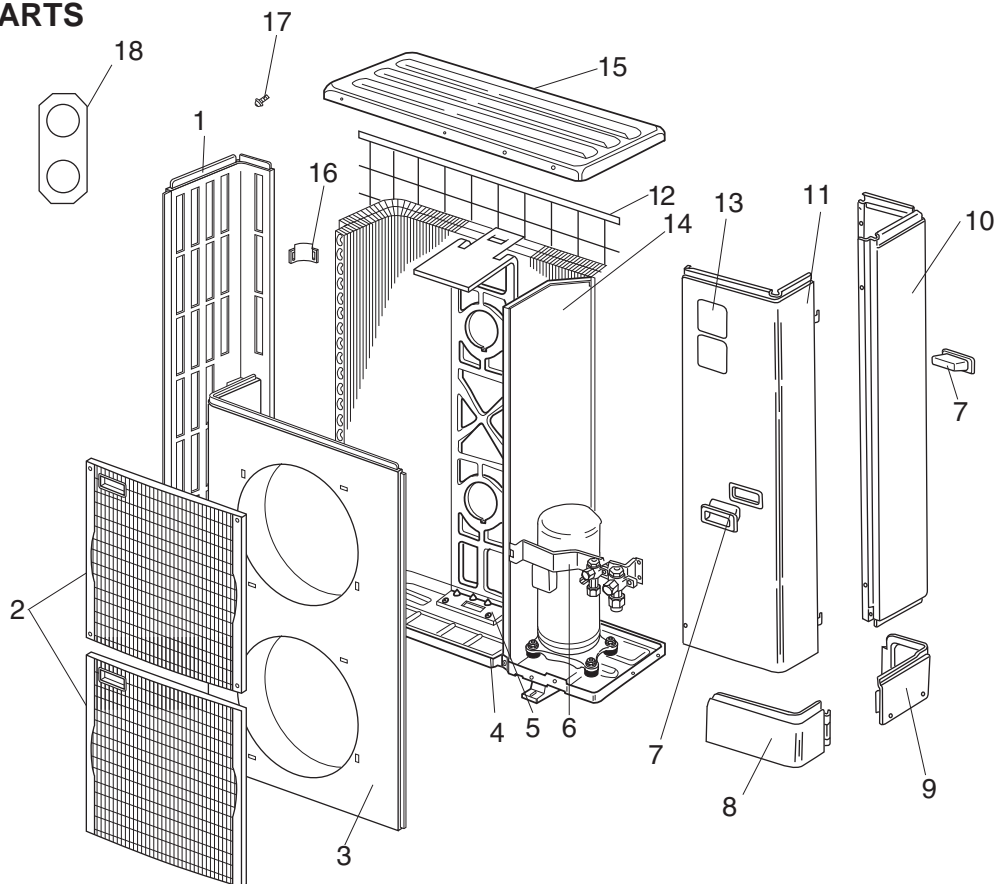
PUZ-HA36NHA4



Part numbers that are circled are not shown in the figure.

| No. | RoHS | Part No.    | Part Name                                  | Specification         | Q'ty/set |        | Remarks<br>(Drawing No.) | Wiring<br>Diagram<br>Symbol | Recom-<br>mended<br>Q'ty |
|-----|------|-------------|--|-----------------------|----------|--------|--------------------------|-----------------------------|--------------------------|
|     |      |             |  |                       | PUZ-HA   |        |                          |                             |                          |
|     |      |             |  |                       | 30NHA4   | 36NHA4 |                          |                             |                          |
| 1   | G    | T7W E27 763 | FAN MOTOR                                  | EHDS81B86MS1          | 2        | 2      |                          | MF1, 2                      |                          |
| 2   | G    | R01 E12 115 | PROPELLER FAN                              |                       | 2        | 2      |                          |                             |                          |
| 3   | G    | R01 E09 097 | NUT  |                       | 2        | 2      |                          |                             |                          |
| 4   | G    | R01 H01 408 | HEAT EXCHANGER                             |                       | 1        | 1      |                          |                             |                          |
| 5   | G    | T7W E42 242 | SOLENOID COIL <4-WAY VALVE>                |                       | 1        | 1      |                          | 21S4                        |                          |
| 6   | G    | T7W E05 403 | 4-WAY VALVE                                |                       | 1        | 1      |                          |                             |                          |
| 7   | G    | R01 E14 201 | THERMISTOR (DISCHARGE)                     |                       | 1        | 1      |                          | TH4                         |                          |
| 8   | G    | T7W E04 410 | STOP VALVE                                 | 3/8                   | 1        | 1      |                          |                             |                          |
| 9   | G    | T97 415 767 | COMPRESSOR                                 | ANB33FJEMT            | 1        | 1      | Including RUBBER MOUNTS  | MC                          |                          |
| 10  | G    | R01 E60 440 | POWER RECEIVER                             |                       | 1        | 1      |                          |                             |                          |
| 11  | G    | R01 E12 410 | BALL VALVE                                 | 5/8                   | 1        | 1      |                          |                             |                          |
| 12  | G    | R01 E13 413 | CHARGE PLUG                                |                       | 1        | 1      |                          |                             |                          |
| 13  | G    | T7W E53 202 | THERMISTOR (OUTDOOR PIPE)                  |                       | 1        | 1      |                          | TH32                        |                          |
| 14  | G    | R01 E00 209 | LOW PRESSURE SWITCH                        |                       | 1        | 1      |                          | 63L                         |                          |
| 15  | G    | R01 E49 242 | LINEAR EXPANSION VALVE COIL                |                       | 1        | 1      | Connector: Red           | LEV-B                       |                          |
| 16  | G    | R01 H20 401 | LINEAR EXPANSION VALVE                     |                       | 2        | 2      | For LEV A, LEV B         |                             |                          |
| 17  | G    | R01 E50 242 | LINEAR EXPANSION VALVE COIL                |                       | 1        | 1      | Connector: White         | LEV-A                       |                          |
| 18  | G    | T7W E52 202 | THERMISTOR (OUTDOOR PIPE)                  |                       | 1        | 1      |                          | TH33                        |                          |
| 19  | G    | R01 E68 242 | LINEAR EXPANSION VALVE COIL                |                       | 1        | 1      | Connector: Blue          | LEV-C                       |                          |
| 20  | G    | R01 H22 401 | LINEAR EXPANSION VALVE                     |                       | 1        | 1      | For LEV C                |                             |                          |
| 21  | G    | R01 E94 202 | THERMISTOR (OUTDOOR 2-PHASE PIPE, OUTDOOR) |                       | 1        | 1      |                          | TH6, 7                      |                          |
| 22  | G    | T7W E07 208 | HIGH PRESSURE SWITCH                       |                       | 1        | 1      |                          | 63H                         |                          |
| 23  | G    | R01 E12 413 | CHARGE PLUG                                |                       | 1        | 1      |                          |                             |                          |
| 24  | G    | T7W E40 716 | TERMINAL BLOCK                             | 6P(L1,L2,GR,S1,S2,S3) | 1        | 1      |                          | TB1                         |                          |
| 25  | G    | —           | ELECTRICAL PARTS BOX                       |                       | 1        | 1      | (BK00B055G62)            |                             |                          |
| 26  | G    | T7W F07 315 | CONTROLLER CIRCUIT BOARD                   |                       | 1        | 1      |                          | C.B.                        |                          |
| 27  | G    | T7W E24 259 | REACTOR                                    |                       | 1        | 1      |                          | DCL                         |                          |
| 28  | G    | R01 E65 313 | POWER CIRCUIT BOARD                        |                       | 1        | 1      |                          | P.B.                        |                          |
| 29  | G    | R01 E07 233 | ACTIVE FILTER MODULE                       |                       | 1        | 1      |                          | ACTM                        |                          |
| 30  | G    | R01 E18 346 | NOISE FILTER CIRCUIT BOARD                 |                       | 1        | 1      |                          | N.F.                        |                          |
| 31  | G    | R01 E99 202 | THERMISTOR (HEAT SINK)                     |                       | 1        | 1      |                          | TH8                         |                          |
| 32  | G    | R01 E14 239 | FUSE                                       | 250V 6.3V             | 4        | 4      |                          | F1,2,3,4                    |                          |
| 33  | G    | R01 H00 202 | THERMISTOR (OUTDOOR PIPE)                  |                       | 1        | 1      |                          | TH3                         |                          |
| 34  | G    | R01 E22 255 | MAIN SMOOTHING CAPACITOR                   |                       | 1        | 1      |                          | CB                          |                          |

**STRUCTURAL PARTS**  
**PUZ-HA30NHA4**  
**PUZ-HA36NHA4**



Part number that is circled is not shown in the figure.

| No. | RoHS | Part No.    | Part Name           | Specification | Q'ty/set |        | Remarks<br>(Drawing No.) | Wiring<br>Diagram<br>Symbol | Recom-<br>mended<br>Q'ty |
|-----|------|-------------|---------------------|---------------|----------|--------|--------------------------|-----------------------------|--------------------------|
|     |      |             |                     |               | PUZ-HA   |        |                          |                             |                          |
|     |      |             |                     |               | 30NHA4   | 36NHA4 |                          |                             |                          |
| 1   | G    | R01 E20 662 | SIDE PANEL (L)      |               | 1        | 1      |                          |                             |                          |
| 2   | G    | T7W E03 691 | FAN GRILLE          |               | 2        | 2      |                          |                             |                          |
| 3   | G    | T7W E06 667 | FRONT PANEL         |               | 1        | 1      |                          |                             |                          |
| 4   | G    | R01 E31 686 | BASE ASSY           |               | 1        | 1      |                          |                             |                          |
| 5   | G    | R01 E27 130 | MOTOR SUPPORT       |               | 1        | 1      |                          |                             |                          |
| 6   | G    | —           | VALVE BED ASSY      |               | 1        | 1      | (BK00C142G28)            |                             |                          |
| 7   | G    | R01 E01 655 | HANDLE              |               | 2        | 2      |                          |                             |                          |
| 8   | G    | R01 E23 658 | COVER PANEL (FRONT) |               | 1        | 1      |                          |                             |                          |
| 9   | G    | R01 E22 658 | COVER PANEL (REAR)  |               | 1        | 1      |                          |                             |                          |
| 10  | G    | R01 E37 661 | SIDE PANEL (R)      |               | 1        | 1      |                          |                             |                          |
| 11  | G    | T7W E14 667 | SERVICE PANEL       |               | 1        | 1      |                          |                             |                          |
| 12  | G    | R01 E07 698 | REAR GUARD          |               | 1        | 1      |                          |                             |                          |
| 13  | G    | —           | BRAND LABEL         |               | 1        | 1      | (BH79G109K01)            |                             |                          |
| 14  | G    | —           | SEPARATOR           |               | 1        | 1      | (BK00C143GG7)            |                             |                          |
| 15  | G    | R01 E14 641 | TOP PANEL           |               | 1        | 1      |                          |                             |                          |
| 16  | G    | R01 E02 655 | HANDLE              |               | 1        | 1      |                          |                             |                          |
| 17  | G    | —           | SCREW               |               | 38       | 38     | (DG12F536H12)            |                             |                          |
| 18  | G    | T7W E01 617 | CONDUIT PLATE       |               | 1        | 1      |                          |                             |                          |

**MITSUBISHI ELECTRIC CORPORATION**

HEAD OFFICE : TOKYO BLDG., 2-7-3, MARUNOUCHI, CHIYODA-KU, TOKYO 100-8310, JAPAN