

SERVICE PARTS LIST FOR MITSUBISHI ELECTRIC PACKAGED AIR-CONDITIONERS

Series : PWFY-P•NMU-E

REVISED

Jan. 2015

BWE0919B

INDEX
PWFY-P36NMU-E-BU PWFY-P36NMU-E-AU PWFY-P72NMU-E-AU

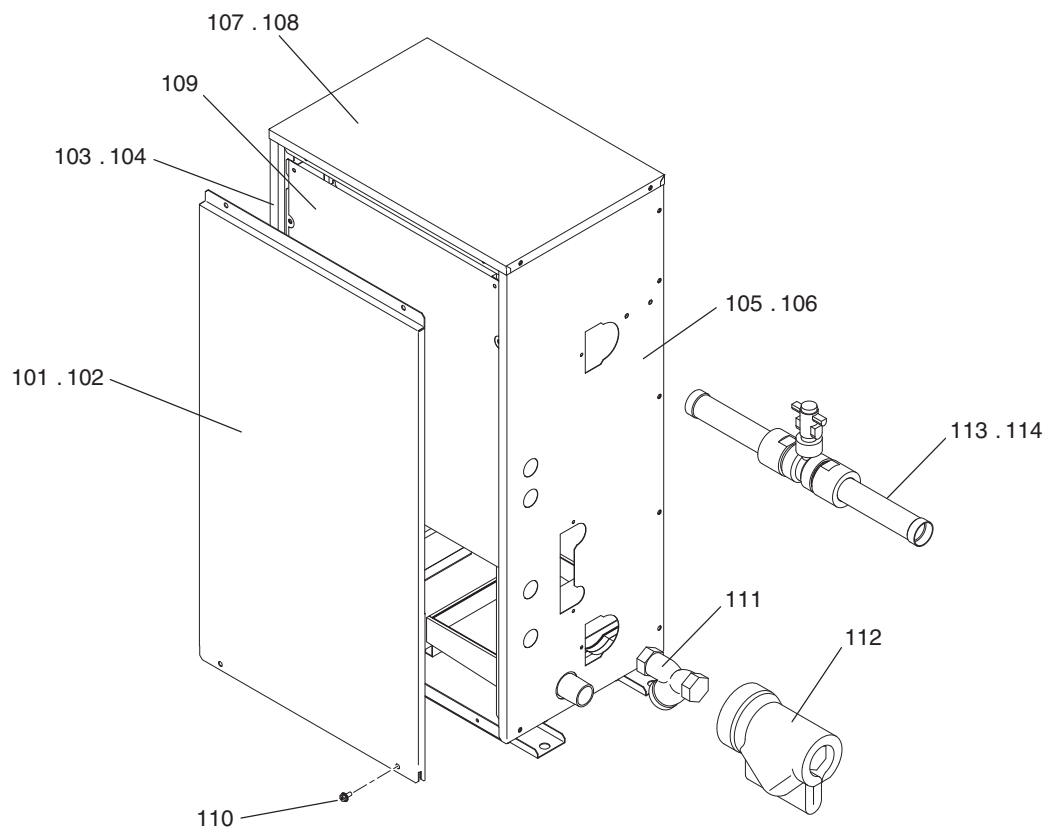
Part information update day : 2015/01/15

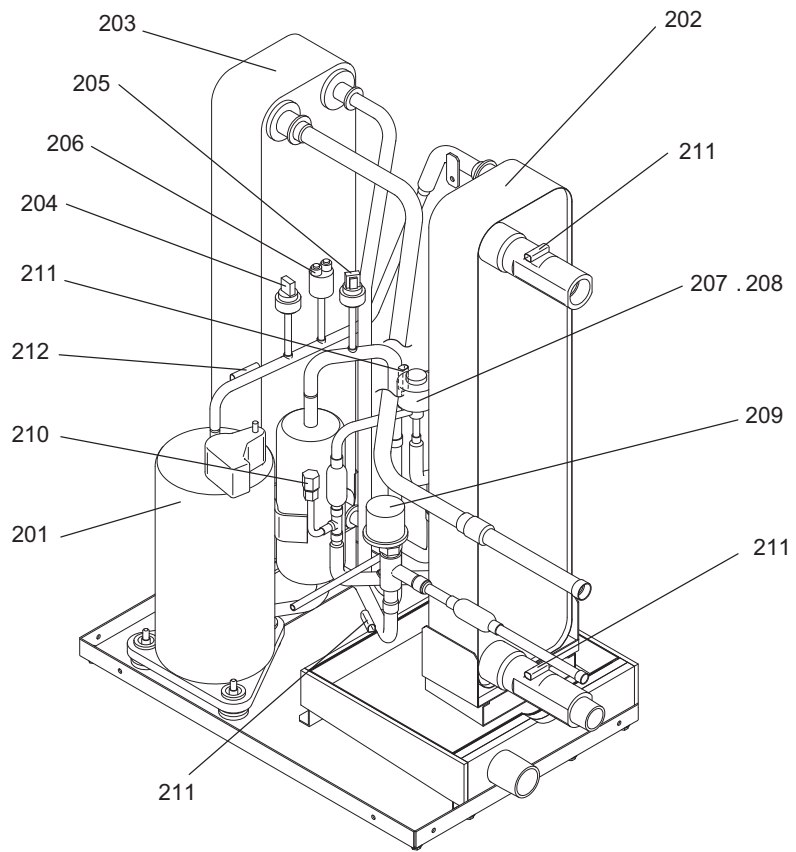


Please change the old catalog (issued July 2012, No.BWE0919A) to this new catalog.
Content of revision : Some of parts are changed.

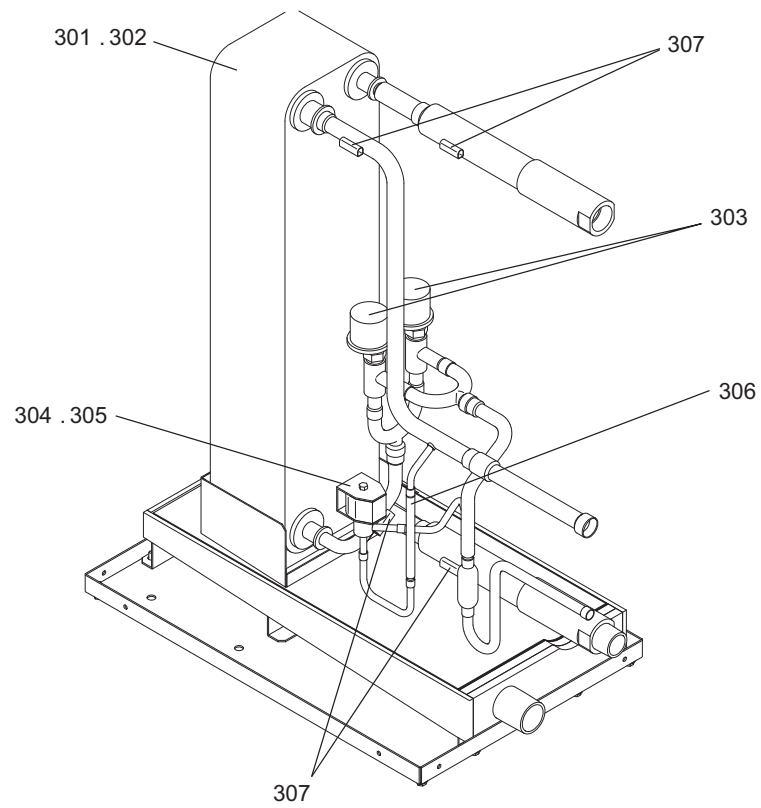
PWFY-P36NMU-E-BU
PWFY-P36NMU-E-AU
PWFY-P72NMU-E-AU

EXTERNAL PARTS

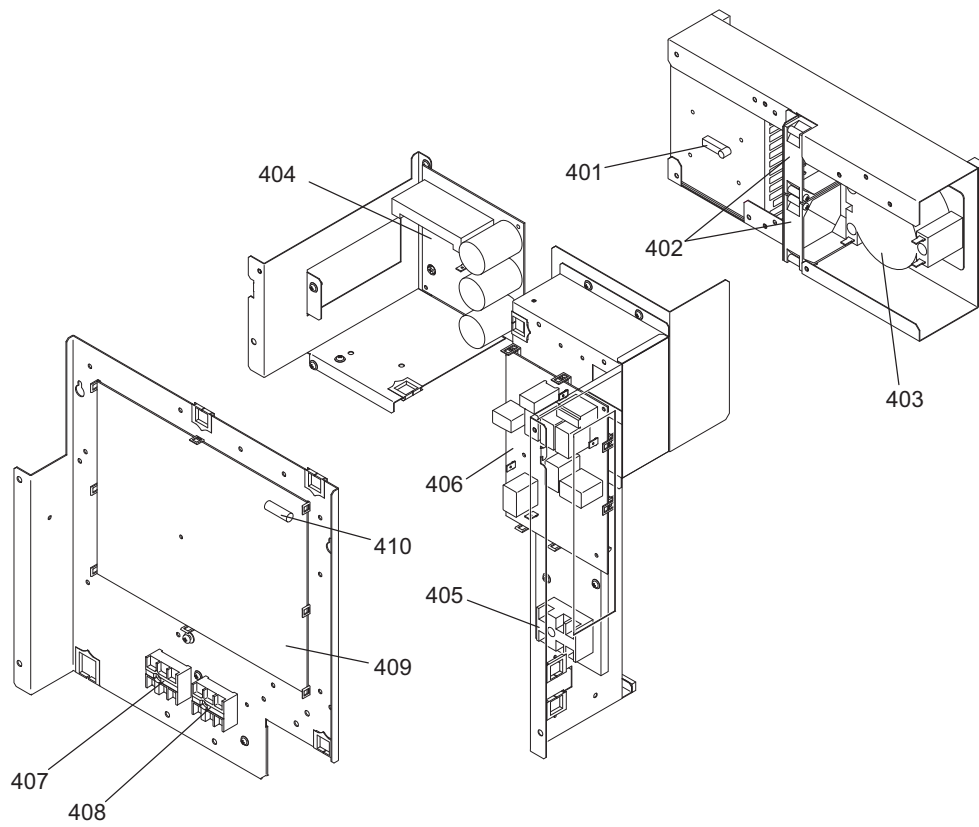




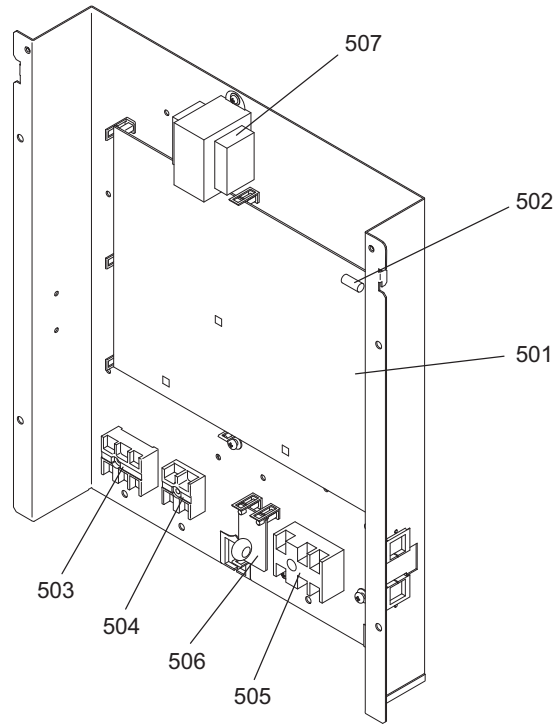
No.	Part No.	G : RoHS Apply Only W : RoHS Apply by Running Change		Spec.	PWFY-P36NMU-E-BU				Dwg. No.	Notes for the models	Revision info.
			Part Name								
201	R69 057 478		Compressor	SBB172FOG	1				P720048X01		
202	R61 225 480	G	Heat exchanger assy		1				KB00R120G02		
203	R61 449 480	G	Heat exchanger assy		1				KB00U600G01		
204	R61 010 288	G	Pressure sensor	HP	1				P418048X01	<63HS>	
205	R61 011 288	G	Pressure sensor	LP	1				P418052X01	<63LS>	
206	R61 003 208	G	Pressure switch	ACB-1UB57W	1				P426330X01	<63H1>	
207	R63 4H6 401	G	Linear expansion valve	CAM35-S	1				P632444X01		
208	R61 018 401	G	Linear expansion valve coil	CAM	1				P472053X02	<LEV2W>	
209	R63 004 401	G	Linear expansion valve	EFM-80YGMD-4	1				P632453X01	<LEV1W>	
210	R12 005 904	G	Check joint		1				P666009X01		
211	R61 060 200	G	Thermistor		4				P418065X01	<TH6,TH8,TH13,TH22>	
212	R63 911 202	G	Thermistor		1				P425416X02	<TH11>	



No.	Part No.	G : RoHS Apply Only W : RoHS Apply by Running Change		Spec.	PWFY-P36NMU-E-AU	PWFY-P72NMU-E-AU					Dwg. No.	Notes for the models	Revision info.
			Part Name										
301	R61 917 480		Heat exchanger assy		1						KB00U710G05		Chg.
302	R61 918 480		Heat exchanger assy			1					KB00U710G06		Chg.
303	R63 004 401	G	Linear expansion valve	EFM-80YGMD-4	1	2					P632453X01	<LEV1Wa,b>	
304	R63 Y07 232	G	Solenoid valve	ATS-A	1	1					P631291X01		
305	R63 6A7 243	W	Solenoid valve coil		1	1					P472010X01	<SV1>	
306	R63 669 418	G	Check valve	3-6.35	1	1					S639001H01		
307	R61 060 200	G	Thermistor		4	4					P418065X01	<TH6,TH8,TH22,TH23>	



No.	Part No.	G : RoHS Apply Only W : RoHS Apply by Running Change		Spec.	PWFY-P36NMU-E-BU					Dwg. No.	Notes for the models	Revision info.
			Part Name									
401	R63 P89 200	G	Thermistor		1					P418011X01	<THHS>	
402	R61 001 198	G	Fan		2					P712410X01		
403	R61 015 259	G	Reactor		1					P715451X01	<ACL>	
404	R61 075 280	G	INV board		1					W647875G16		
405	R61 020 246	W	Terminal block		1					KE00D619G01	<TB2>	
406	R61 006 293	G	Noise filter		1					KE80C276G02		
407	R61 003 246	G	Terminal block		1					BG00R200G45	<TB5>	
408	R61 016 246	G	Terminal block		1					KE00D459G01	<TB15>	
409	R61 024 281	G	Control board		1					KE80C274G01		
410	R63 993 964	G	Fuse	6.3A AC250V T	1					KG00S514G01	<F01>	Chg.



No.	Part No.	G : RoHS Apply Only W: RoHS Apply by Running Change		Spec.	PWFY-P36NMU-E-AU PWFY-P72NMU-E-AU					Dwg. No.	Notes for the models	Revision info.
			Part Name									
501	R61 291 280	G	Control board		1	1				KE80C274G12		Chg.
502	R63 993 964	G	Fuse	6.3A AC250V T	1	1				KG00S514G01	<F01>	Chg.
503	R61 003 246	G	Terminal block		1	1				BG00R200G45	<TB5>	
504	R61 004 246	G	Terminal block		1	1				BG00R200G15	<TB15>	
505	R61 020 246	W	Terminal block		1	1				KE00D619G01	<TB2>	
506	R63 Y22 280	G	DSA board		1	1				W849072G13		
507	R61 004 260	G	Transformer	240V/23.2V	1	1				P715419X01	<T01>	

mitsubishi
electric
corporation

BWE0919B (20150131)